

3048 MS

HP 8663A

SYNTHESIZED SIGNAL GENERATOR

(Including Options 001, 002, & 003)

Service Manual

Volume 1

SERIAL NUMBERS

This manual applies directly to instruments with serial numbers prefixed:

2234A to 2927A and all *MAJOR* changes that apply to your instrument.

rev. 01JUL91

For additional important information about serial numbers, refer to "INSTRUMENTS COVERED BY THIS MANUAL" in Section 1.

Third Edition

This material may be reproduced by or for the U.S. Government pursuant to the Copyright License under the clause at DFARS 52.227-7013 (APR 1988).

Copyright © HEWLETT-PACKARD COMPANY 1982
EAST 24001 MISSION AVENUE, TAF C-34, SPOKANE, WASHINGTON, U.S.A. 99220

Service Manual (Volume 1, 2, 3, 4) HP Part 08663-90071

Other Documents Available:

Operation and Calibration Manual HP Part 08663-90069

Microfiche Service Manual HP Part 08663-90072

Microfiche Operation and Calibration Manual HP Part 08663-90070

Printed In U.S.A. : November 1990



**HEWLETT
PACKARD**

COPYRIGHT AND DISCLAIMER NOTICE

Copyright – Agilent Technologies, Inc. Reproduced with the permission of Agilent Technologies Inc. Agilent Technologies, Inc. makes no warranty of any kind with regard to this material including, but not limited to, the implied warranties of merchantability and fitness for a particular purpose. Agilent Technologies, Inc. is not liable for errors contained herein or for incidental or consequential damages in connection with the furnishing, performance, or use of this material or data.

Done

Documentation Update Service Packet

5

HP 8663A Service Manual
(rev.01JUL91)

old

HP 8663A SYNTHESIZED SIGNAL GENERATOR (Including Options 001, 002, & 003) Service Manual

SERIAL NUMBERS

This manual applies directly to instruments with serial numbers prefixed:

2234A to 2927A and all *MAJOR* changes that apply to your instrument.

rev.02OCT89

For additional important information about serial numbers, refer to "INSTRUMENTS COVERED BY THIS MANUAL" in Section 1.

Second Edition

This material may be reproduced by or for the U.S. Government pursuant to the Copyright License under the clause at DFARS 52.227-7013 (APR 1988).

Copyright©HEWLETT-PACKARD COMPANY 1982
EAST 24001 MISSION AVENUE, TAF C-34, SPOKANE, WASHINGTON, U.S.A. 99220

Service Manual (Volume 1, 2, 3, 4) HP Part 08663-90071

Other Documents Available:

Operation and Calibration Manual HP Part 08663-90069

Microfiche Service Manual HP Part 08663-90072

Microfiche Operation and Calibration Manual HP Part 08663-90070

Printed in U.S.A. : September 1988



old

Table 6-3. Replaceable Parts

Reference Designation	HP Part Number	C D	Qty.	Description	Mfr. Code	Mfr. Part Number
A1A1X6	1200-0507	9		SOCKET-IC 16-CONT DIP-SLDR	28480	1200-0507
A1A1X7	1200-0507	9		SOCKET-IC 16-CONT DIP-SLDR	28480	1200-0507
A1A1X8	1200-0687	8	4	SOCKET-STRP 12-CONT DIP-SLDR	28480	1200-0687
A1A1X9	1200-0687	6		SOCKET-STRP 12-CONT DIP-SLDR	28480	1200-0687
A1A1X10	1200-0507	9		SOCKET-IC 16-CONT DIP-SLDR	28480	1200-0507
A1A1X11	1200-0507	9		SOCKET-IC 16-CONT DIP-SLDR	28480	1200-0507
A1A1X12	1200-0822	1	2	SOCKET-STRP 16-CONT DIP-SLDR	28480	1200-0822
A1A1X13	1200-0507	9		SOCKET-IC 16-CONT DIP-SLDR	28480	1200-0507
A1A1X14	1200-0564	8	2	SOCKET-IC 8-CONT DIP-SLDR	28480	1200-0564
A1A1X15	1200-0688	7		SOCKET-STRP 11-CONT DIP-SLDR	28480	1200-0688
A1A1X16	1200-0688	7		SOCKET-STRP 11-CONT DIP-SLDR	28480	1200-0688
A1A1X17	1200-0688	7		SOCKET-STRP 11-CONT DIP-SLDR	28480	1200-0688
A1A1X18	1200-0688	7		SOCKET-STRP 11-CONT DIP-SLDR	28480	1200-0688
A1A1X19	1200-0933	5	2	SOCKET-STRP 12-CONT DIP-SLDR	28480	1200-0933
A1A1X20	1200-0687	6		SOCKET-STRP 12-CONT DIP-SLDR	28480	1200-0687
A1A1X21	1200-0564	8		SOCKET-IC 8-CONT DIP-SLDR	28480	1200-0564
A1A1X22	1200-0687	6		SOCKET-STRP 12-CONT DIP-SLDR	28480	1200-0687
A1A1X23	1200-0822	1		SOCKET-STRP 16-CONT DIP-SLDR	28480	1200-0822
A1A1X24	1200-1366	0		SOCKET-STRP 12-CONT DIP-SLDR	28480	1200-1366
A1A1X25	1200-0832	4	1	SOCKET-STRP 8-CONT DIP-SLDR	28480	1200-0832

†Refer to Section 7 for update information.

*Factory Selected Component (Refer to Section 5).

Table 4-3. Replaceable Parts

old

A2A11

A2A11	08663-60340	0	1	DCU SECTION MOTHERBOARD	28480	08663-60340
A2A11C1	0160-3879	7		CAPACITOR-FXD .01UF +-20% 100VDC CER	28480	0160-3879
A2A11C2	0160-3879	7		CAPACITOR-FXD .01UF +-20% 100VDC CER	28480	0160-3879
A2A11F1	2110-0063	2		FUSE .75A 250V NTD 1.25X.25 UL	28480	2110-0063
A2A11J1	1251-5314	3	3	CONNECTOR 50-PIN POST SERIES	28480	1251-5314
A2A11J2	1251-5316	5	2	CONNECTOR 34-PIN POST SERIES	28480	1251-5316
A2A11J3	1200-0507	9		SOCKET-IC 18-CONT DIP-SLDR	28480	1200-0507
A2A11J5	1200-0508	0	4	SOCKET-IC 14-CONT DIP-SLDR	28480	1200-0508
A2A11J6	1251-5314	3		CONNECTOR 50-PIN POST SERIES	28480	1251-5314
A2A11J7	1251-5316	5		CONNECTOR 34-PIN POST SERIES	28480	1251-5316
A2A11J8	1251-5314	3		CONNECTOR 50-PIN POST SERIES	28480	1251-5314
2234A TO 2601A A2A11J9	1251-5315	4		CONNECTOR 40-PIN POST SERIES	28480	1251-5315
2602A AND ABOVE A2A11J9	1252-0393	0		CONN-POST TYPE .100-PIN-SPCG 40-CONT	28480	1252-0393
	1251-5595	2		POLARIZING KEY POST CONN	28480	1251-5595
A2A11J10	1200-0508	0		SOCKET-IC 14-CONT DIP-SLDR	28480	1200-0508
2234A TO 2601A A2A11J11	1251-7034	8	1	CONNECTOR 40-PIN M POST TYPE	28480	1251-7034
2602A AND ABOVE A2A11J11	1252-1345	4		CONN-POST TYPE 40-CONT	28480	1251-1345
	1251-5595	2		POLARIZING KEY POST CONN	28480	1251-5595
A2A11J12	1200-0508	0		SOCKET-IC 14-CONT DIP-SLDR	28480	1200-0508
2234A TO 2601A A2A11J13	1251-5151	6	1	CONNECTOR 28-PIN M POST TYPE	28480	1251-5151
2602A AND ABOVE A2A11J13	1252-1335	2		CONN-POST TYPE 28-CONT	28480	1251-1335
	1251-5595	2		POLARIZING KEY POST CONN	28480	1251-5595
A2A11J14	1200-0508	0		SOCKET-IC 14-CONT DIP-SLDR	28480	1200-0508
A2A11MP1	0340-0095	5	4	TERMINAL-STUD SGL-TUR PRESS-MTG	28480	0340-0095
A2A11MP2	0340-0095	5		TERMINAL-STUD SGL-TUR PRESS-MTG	28480	0340-0095
A2A11MP3	0340-0095	5		TERMINAL-STUD SGL-TUR PRESS-MTG	28480	0340-0095
A2A11MP4	0340-0095	5		TERMINAL-STUD SGL-TUR PRESS-MTG	28480	0340-0095
A2A11MP5	3160-0092	3		FINGER GUARD, FAN GRILLE	28480	3160-0092
A2A11TP1	1251-0600	0		CONNECTOR-SGL CONT PIN 1.14-MM-BSC-SZ SQ	28480	1251-0600
A2A11TP2	1251-0600	0		CONNECTOR-SGL CONT PIN 1.14-MM-BSC-SZ SQ	28480	1251-0600
A2A11TP3	1251-0600	0		CONNECTOR-SGL CONT PIN 1.14-MM-BSC-SZ SQ	28480	1251-0600
A2A11TP4	1251-0600	0		CONNECTOR-SGL CONT PIN 1.14-MM-BSC-SZ SQ	28480	1251-0600
A2A11XA1A	1251-2026	8	21	CONNECTOR-PC EDGE 18-CONT/ROW 2-ROWS	28480	1251-2026
A2A11XA1B	1251-2026	8		CONNECTOR-PC EDGE 18-CONT/ROW 2-ROWS	28480	1251-2026
A2A11XA2A	1251-2026	8		CONNECTOR-PC EDGE 18-CONT/ROW 2-ROWS	28480	1251-2026
A2A11XA2B	1251-2026	8		CONNECTOR-PC EDGE 18-CONT/ROW 2-ROWS	28480	1251-2026
A2A11XA3A	1251-2026	8		CONNECTOR-PC EDGE 18-CONT/ROW 2-ROWS	28480	1251-2026
A2A11XA3B	1251-2026	8		CONNECTOR-PC EDGE 18-CONT/ROW 2-ROWS	28480	1251-2026
A2A11XA4A	1251-2026	8		CONNECTOR-PC EDGE 18-CONT/ROW 2-ROWS	28480	1251-2026
A2A11XA4B	1251-2026	8		CONNECTOR-PC EDGE 18-CONT/ROW 2-ROWS	28480	1251-2026
A2A11XA5A	1251-2026	8		CONNECTOR-PC EDGE 18-CONT/ROW 2-ROWS	28480	1251-2026
A2A11XA5B	1251-2026	8		CONNECTOR-PC EDGE 18-CONT/ROW 2-ROWS	28480	1251-2026

Table 6-3. Replaceable Parts *old*

Reference Designation	HP Part Number	C D	Qty.	Description	Mfr. Code	Mfr. Part Number
A2A11XA6A	1251-2026	8		CONNECTOR-PC EDGE 18-CONT/ROW 2-ROWS	29480	1251-2026
A2A11XA6B	1251-2026	8		CONNECTOR-PC EDGE 18-CONT/ROW 2-ROWS	28480	1251-2026
A2A11XA7A	1251-2026	8		CONNECTOR-PC EDGE 18-CONT/ROW 2-ROWS	28480	1251-2026
A2A11XA7B	1251-2026	8		CONNECTOR-PC EDGE 18-CONT/ROW 2-ROWS	28480	1251-2026
A2A11XA8A	1251-2026	8		CONNECTOR-PC EDGE 18-CONT/ROW 2-ROWS	28480	1251-2026
A2A11XA8B	1251-2026	8		CONNECTOR-PC EDGE 18-CONT/ROW 2-ROWS	28480	1251-2026
A2A11XA9A	1251-2026	8		CONNECTOR-PC EDGE 18-CONT/ROW 2-ROWS	28480	1251-2026
A2A11XA9F	1251-2026	†		CONNECTOR-PC EDGE 18-CONT/ROW 2-ROWS	28480	1251-2026
A2A11XA10A	1251-2026	8		CONNECTOR-PC EDGE 18-CONT/ROW 2-ROWS	28480	1251-2026
A2A11XA10B	1251-2026	8		CONNECTOR-PC EDGE 18-CONT/ROW 2-ROWS	28480	1251-2026

† Refer to Section 7 for update information.

* Factory Selected Component (Refer to Section 5.)

Table 6-3. Replaceable Parts

Reference Designation	HP Part Number	C D	Qty.	Description	Mfr. Code	Mfr. Part Number
A3A3R76	0698-7226	5		RESISTOR 383 1% .05W F TC=0+-100	24546	C3-1/8-T0-383R-F
A3A3R77	0698-7233	4		RESISTOR 750 1% .05W F TC=0+-100	24546	C3-1/8-T0-750R-F
A3A3R78	0698-7233	4		RESISTOR 750 1% .05W F TC=0+-100	24546	C3-1/8-T0-750R-F
A3A3R79	0698-7233	4		RESISTOR 750 1% .05W F TC=0+-100	24546	C3-1/8-T0-750R-F
A3A3R80	0698-7212	9		RESISTOR 100 1% .05W F TC=0+-100	24546	C3-1/8-T0-100R-F
A3A3R81	0698-7212	9		RESISTOR 100 1% .05W F TC=0+-100	24546	C3-1/8-T0-100R-F
A3A3R82	0698-7233	4		RESISTOR 750 1% .05W F TC=0+-100	24546	C3-1/8-T0-750R-F
A3A3R83	0698-7233	4		RESISTOR 750 1% .05W F TC=0+-100	24546	C3-1/8-T0-750R-F
A3A3R84	0698-7233	4		RESISTOR 750 1% .05W F TC=0+-100	24546	C3-1/8-T0-750R-F
A3A3R85	0698-7263	0	2	RESISTOR 13.3K 1% .05W F TC=0+-100	24546	C3-1/8-T0-1332-F
A3A3R86	0698-7268	5		RESISTOR 21.5K 1% .05W F TC=0+-100	24546	C3-1/8-T0-2152-F
A3A3R87	0698-7260	7		RESISTOR 10K 1% .05W F TC=0+-100	24546	C3-1/8-T0-1002-F
2234A TO 2611A A3A3R88	0698-7257	2	2	RESISTOR 7.5K 1% .05W F TC=0+-100	24546	C3-1/8-T0-7501-F
2619A AND ABOVE A3A3R88*	0698-7257	2	2	RESISTOR 7.5K 1% .05W F TC=0+-100	24546	C3-1/8-T0-7501-F
A3A3R89	0698-7234	5		RESISTOR 825 1% .05W F TC=0+-100	24546	C3-1/8-T0-825R-F
A3A3R90	0698-7233	4		RESISTOR 750 1% .05W F TC=0+-100	24546	C3-1/8-T0-750R-F
A3A3R91	0698-7233	4		RESISTOR 750 1% .05W F TC=0+-100	24546	C3-1/8-T0-750R-F
A3A3R92	0698-7233	4		RESISTOR 750 1% .05W F TC=0+-100	24546	C3-1/8-T0-750R-F
A3A3R93	0698-7233	4		RESISTOR 750 1% .05W F TC=0+-100	24546	C3-1/8-T0-750R-F
A3A3R94	0698-7212	9		RESISTOR 100 1% .05W F TC=0+-100	24546	C3-1/8-T0-100R-F
A3A3R95	0698-7212	9		RESISTOR 100 1% .05W F TC=0+-100	24546	C3-1/8-T0-100R-F
A3A3R96	0698-7233	4		RESISTOR 750 1% .05W F TC=0+-100	24546	C3-1/8-T0-750R-F
A3A3R97	0698-7233	4		RESISTOR 750 1% .05W F TC=0+-100	24546	C3-1/8-T0-750R-F
A3A3R98	0698-7247	0	3	RESISTOR 2.87K 1% .05W F TC=0+-100	24546	C3-1/8-T0-2871-F
A3A3R99	0698-7248	1		RESISTOR 3.16K 1% .05W F TC=0+-100	24546	C3-1/8-T0-3161-F
A3A3R100	0698-7248	1		RESISTOR 3.16K 1% .05W F TC=0+-100	24546	C3-1/8-T0-3161-F
A3A3R101	0698-7248	1		RESISTOR 3.16K 1% .05W F TC=0+-100	24546	C3-1/8-T0-3161-F
A3A3R102	0698-7212	9		RESISTOR 100 1% .05W F TC=0+-100	24546	C3-1/8-T0-100R-F
A3A3R103	0698-7212	9		RESISTOR 100 1% .05W F TC=0+-100	24546	C3-1/8-T0-100R-F
A3A3R104	0698-7248	1		RESISTOR 3.16K 1% .05W F TC=0+-100	24546	C3-1/8-T0-3161-F
A3A3R105	0698-7240	3	4	RESISTOR 1.47K 1% .05W F TC=0+-100	24546	C3-1/8-T0-1471-F
A3A3R106	0698-7240	3		RESISTOR 1.47K 1% .05W F TC=0+-100	24546	C3-1/8-T0-1471-F
A3A3R107	0698-7232	3	13	RESISTOR 881 1% .05W F TC=0+-100	24546	C3-1/8-T0-881R-F
A3A3R108	0698-7244	7	3	RESISTOR 2.15K 1% .05W F TC=0+-100	24546	C3-1/8-T0-2151-F
A3A3R109	0698-7238	7		RESISTOR 1K 1% .05W F TC=0+-100	24546	C3-1/8-T0-1001-F
A3A3R110	0698-7260	7		RESISTOR 10K 1% .05W F TC=0+-100	24546	C3-1/8-T0-1002-F
A3A3R111	0698-7260	7		RESISTOR 10K 1% .05W F TC=0+-100	24546	C3-1/8-T0-1002-F
A3A3R112	0698-7236	7		RESISTOR 1K 1% .05W F TC=0+-100	24546	C3-1/8-T0-1001-F
A3A3R113	0698-7236	7		RESISTOR 1K 1% .05W F TC=0+-100	24546	C3-1/8-T0-1001-F
A3A3R114	0698-7255	0	3	RESISTOR 6.19K 1% .05W F TC=0+-100	24546	C3-1/8-T0-6191-F
A3A3R115	0698-7253	8		RESISTOR 5.11K 1% .05W F TC=0+-100	24546	C3-1/8-T0-5111-F
A3A3R116	0698-7253	8		RESISTOR 5.11K 1% .05W F TC=0+-100	24546	C3-1/8-T0-5111-F
A3A3R117	0698-7224	3		RESISTOR 318 1% .05W F TC=0+-100	24546	C3-1/8-T0-318R-F
A3A3R118	0698-7249	2	5	RESISTOR 3.48K 1% .05W F TC=0+-100	24546	C3-1/8-T0-3481-F
A3A3R119	0698-7243	6	6	RESISTOR 1.96K 1% .05W F TC=0+-100	24546	C3-1/8-T0-1961-F
A3A3R120	0698-7243	6		RESISTOR 1.96K 1% .05W F TC=0+-100	24546	C3-1/8-T0-1961-F
A3A3R121	0698-7249	2		RESISTOR 3.48K 1% .05W F TC=0+-100	24546	C3-1/8-T0-3481-F
A3A3R122	0698-7274	3	2	RESISTOR 38.3K 1% .05W F TC=0+-100	24546	C3-1/8-T0-3832-F
2234A ONLY A3A3R123				NOT ASSIGNED		
2245A AND ABOVE A3A3R123	0698-0130	8	1	RESISTOR 287 5% .1W C TC=0+-200	28480	0698-0130

† Refer to Section 7 for update information.

* Factory Selected Component (Refer to Section 5).

old

Table 6-3. Replaceable Parts

Reference Designation	HP Part Number	C D	Qty.	Description	Mfr. Code	Mfr. Part Number
A3A3TP17	1251-0800	0		CONNECTOR-SGL CONT PIN 1.14-MM-BSC-SZ SQ	28480	1251-0600
A3A3U1	1820-0794	0	2	IC FF ECL D-M/S	04713	MC1670L
A3A3U2	1820-0796	2	2	IC GATE ECL NOR QUAD 2-INP	04713	MC1662L
A3A3U3	1820-0794	0		IC FF ECL D-M/S	04713	MC1670L
A3A3U4	1820-0796	2		IC GATE ECL NOR QUAD 2-INP	04713	MC1662L
A3A3U5	1820-0801	0	2	IC GATE ECL OR-NOR QUAD 2-INP	04713	MC10101P
A3A3U6	1820-0813	4	1	IC GATE ECL AND-OR	04713	MC10119P
A3A3U7	1820-0825	8	2	IC SHF-RGTR ECL D-TYPE PRL-IN PRL-OUT	04713	MC10141L
A3A3U8	1820-0825	8		IC SHF-RGTR ECL D-TYPE PRL-IN PRL-OUT	04713	MC10141L
A3A3U9	1820-0803	2	3	IC GATE ECL OR-NOR TPL	04713	MC10105P
A3A3U10	1826-0026	3	3	IC COMPARATOR PRCN TO-99 PKG	01295	LM311L
A3A3U11	1820-0817	8	1	IC FF ECL D-M/S DUAL	04713	MC10131P
A3A3U12	1820-0801	0		IC GATE ECL OR-NOR QUAD 2-INP	04713	MC10101P
A3A3U13	1820-5386	6	2	IC 74S 583 PL ADDR	02237	74F583PC
A3A3U14	1820-0803	2		IC GATE ECL OR-NOR TPL	04713	MC10105P
A3A3U15	1826-0026	3		IC COMPARATOR PRCN TO-99 PKG	01295	LM311L
A3A3U16	1820-0683	8	1	IC FF TTL S D-TYPE POS-EDGE-TRIG	01295	SN74S74N
A3A3U17	1820-0579	9	1	IC MV TTL MONOSTBL RETRIG DUAL	01295	SN74123N
A3A3U18	1820-1191	3	1	IC FF TTL S D-TYPE POS-EDGE-TRIG COM	01295	SN74S175N
A3A3U19	1820-5386	1		IC 74S 583 PL ADDR	02237	74F583PC
A3A3U20	1820-0305	9	1	IC ADDR TTL FULL ADDER 4-BIT	01295	SN7483AN
A3A3U21	1820-0681	4	3	IC GATE TTL S NAND QUAD 2-INP	01295	SN74S00N

†Refer to Section 7 for update information.

*Factory Selected Component (Refer to Section 5).

Table 4-3. Replaceable Parts

old

A3A4

A3A4	08662-60136	1	1	N LOOP VCO ASSEMBLY	28480	08663-60033
A3A4C1	0160-4084	8	21	CAPACITOR-FXD .1UF +-20% 50VDC CER	28480	0160-4084
A3A4C2	0160-4084	8		CAPACITOR-FXD .1UF +-20% 50VDC CER	28480	0160-4084
A3A4C3	0160-5216	0	2	CAPACITOR-FXD .1UF +-10% 100VDC CER	28480	0160-5216
A3A4C4	0160-3878	6		CAPACITOR-FXD 1000PF +-20% 100VDC CER	28480	0160-3878
A3A4C5	0160-3879	7		CAPACITOR-FXD .01UF +-20% 100VDC CER	28480	0160-3879
A3A4C6	0190-2819	3		CAPACITOR-FXD 22UF+-10% 15VDC TA	25088	D22G51B15K
A3A4C7	0160-3879	7		CAPACITOR-FXD .01UF +-20% 100VDC CER	28480	0160-3879
A3A4C8	0160-3879	7		CAPACITOR-FXD .01UF +-20% 100VDC CER	28480	0160-3879
A3A4C9	0160-3879	7		CAPACITOR-FXD .01UF +-20% 100VDC CER	28480	0160-3879
A3A4C10	0160-4084	8		CAPACITOR-FXD .1UF +-20% 50VDC CER	28480	0160-4084
A3A4C11	0160-4084	8		CAPACITOR-FXD .1UF +-20% 50VDC CER	28480	0160-4084
A3A4C12	0160-0174	9	1	CAPACITOR-FXD .47UF +-80-20% 25VDC CER	28480	0160-0174
A3A4C13	0140-0191	8		CAPACITOR-FXD 56PF +-5% 300VDC MICA	72136	DM15E560J0300WV1CR
A3A4C14	0121-0446	6		CAPACITOR-V TRMR-CER 4.5-20PF 160V	28480	0121-0446
A3A4C15	0160-0939	4	4	CAPACITOR-FXD 430PF +-5% 300VDC MICA	28480	0160-0939
A3A4C16	0160-2020	8	1	CAPACITOR-FXD 910PF +-5% 100VDC MICA	28480	0160-2020
A3A4C17	0160-4084	8		CAPACITOR-FXD .1UF +-20% 50VDC CER	28480	0160-4084
A3A4C18	0160-0939	4		CAPACITOR-FXD 430PF +-5% 300VDC MICA	28480	0160-0939
A3A4C19	0160-2406	4	1	CAPACITOR-FXD .27UF +-10% 80VDC POLYE	28480	0160-2406
A3A4C20	0160-4084	8		CAPACITOR-FXD .1UF +-20% 50VDC CER	28480	0160-4084
A3A4C21	0160-3878	6		CAPACITOR-FXD 1000PF +-20% 100VDC CER	28480	0160-3878
A3A4C22	0160-4768	5	4	CAPACITOR-FXD 470PF +-5% 100VDC CER	28480	0160-4768
A3A4C24	0160-0570	9	3	CAPACITOR-FXD 220PF +-20% 100VDC CER	20832	5024EM100RD221M
A3A4C27	0160-3878	6		CAPACITOR-FXD 1000PF +-20% 100VDC CER	28480	0160-3878
A3A4C28	0160-3878	6		CAPACITOR-FXD 1000PF +-20% 100VDC CER	28480	0160-3878
A3A4C29	0160-3878	6		CAPACITOR-FXD 1000PF +-20% 100VDC CER	28480	0160-3878
A3A4C30	0160-3878	6		CAPACITOR-FXD 1000PF +-20% 100VDC CER	28480	0160-3878
A3A4C31	0160-2242	6	1	CAPACITOR-FXD 2.4PF +-25PF 500VDC CER	28480	0160-2242
A3A4C32	0160-2250	6	1	CAPACITOR-FXD 5.1PF +-25PF 500VDC CER	28480	0160-2250
A3A4C33	0160-3879	7		CAPACITOR-FXD .01UF +-20% 100VDC CER	28480	0160-3879
A3A4C34	0160-3879	7		CAPACITOR-FXD .01UF +-20% 100VDC CER	28480	0160-3879
A3A4C35	0160-3878	6		CAPACITOR-FXD 1000PF +-20% 100VDC CER	28480	0160-3878
A3A4C36	0160-3878	6		CAPACITOR-FXD 1000PF +-20% 100VDC CER	28480	0160-3878
A3A4C37	0160-2264	2		CAPACITOR-FXD 20PF +-5% 500VDC CER 0+-30	28480	0160-2264
A3A4C38	0160-2264	2		CAPACITOR-FXD 20PF +-5% 500VDC CER 0+-30	28480	0160-2264
A3A4C39	0160-3879	7		CAPACITOR-FXD .01UF +-20% 100VDC CER	28480	0160-3879
A3A4C40	0160-3879	7		CAPACITOR-FXD .01UF +-20% 100VDC CER	28480	0160-3879
A3A4CR1	1901-0040	1		DIODE-SWITCHING 30V 50MA 2NS DO-35	28480	1901-0040
A3A4CR2	1901-0040	1		DIODE-SWITCHING 30V 50MA 2NS DO-35	28480	1901-0040
A3A4CR3	1901-0040	1		DIODE-SWITCHING 30V 50MA 2NS DO-35	28480	1901-0040
A3A4CR4	1901-0039	8	3	DIODE-SWITCHING 50V 300MA 8NS	28480	1901-0039
A3A4CR5	1901-0039	8		DIODE-SWITCHING 50V 300MA 8NS	28480	1901-0039
A3A4CR6	1901-0039	8		DIODE-SWITCHING 50V 300MA 8NS	28480	1901-0039
2234A TO 2419A						
A3A4CR7	0122-0065	7	14	DIODE-VVC 28PF 3%	28480	0122-0065
A3A4CR8	0122-0065	7		DIODE-VVC 28PF 3%	28480	0122-0065
2441A TO 2548A						
A3A4CR7	0122-0162	5	14	DVVC 28PF 5.0CR	28480	0122-0162
A3A4CR8	0122-0162	5		DVVC 28PF 5.0CR	28480	0122-0162
2549A AND ABOVE						
A3A4CR7	0122-0173	8		DIODE VVC 28PF 10% C3/C25-MIN=5 BVR-30V	28480	0122-0173
A3A4CR8	0122-0173	8		DIODE VVC 28PF 10% C3/C25-MIN=5 BVR-30V	28480	0122-0173

Replaceable Parts

Model 8663A

Table 4-3. Replaceable Parts

old

ASA4J1	1250-1220	0		CONNECTOR-RF SMC M PC 50-OHM	28480	1250-1220
	2190-0124	4		WASHER-LK INTL T NO. 10 .195-IN-ID	28480	2190-0124
	2950-0078	9		NUT-HEX-DBL-CHAM 10-32-THD .067-IN-THK	28480	2950-0078
ASA4J2	1250-1220	0		CONNECTOR-RF SMC M PC 50-OHM	28480	1250-1220
	2190-0124	4		WASHER-LK INTL T NO. 10 .195-IN-ID	28480	2190-0124
	2950-0078	9		NUT-HEX-DBL-CHAM 10-32-THD .067-IN-THK	28480	2950-0078
ASA4L1	9100-2251	0	10	INDUCTOR RF-CH-MLD 220NH 10% .105DX.26LG	28480	9100-2251
ASA4L2	9140-0144	0		INDUCTOR RF-CH-MLD 4.7UH 10% .105DX.26LG	28480	9140-0144
ASA4L3	9140-0144	0		INDUCTOR RF-CH-MLD 4.7UH 10% .105DX.26LG	28480	9140-0144
ASA4L4	9140-0144	0		INDUCTOR RF-CH-MLD 4.7UH 10% .105DX.26LG	28480	9140-0144
ASA4L5	9100-1835	2		INDUCTOR RF-CH-MLD 91UH 5% .166DX.385LG	28480	9100-1835
ASA4L8	9100-1825	0	1	INDUCTOR RF-CH-MLD 33UH 5% .166DX.385LG	28480	9100-1825
ASA4L7	9140-0142	8	3	INDUCTOR RF-CH-MLD 2.2UH 10% .105DX.26LG	28480	9140-0142
ASA4L8	08662-00078	2	2	INDUCTOR, OSC.	28480	08662-00078
ASA4L9	9100-2247	4	11	INDUCTOR RF-CH-MLD 100NH 10% .105DX.26LG	28480	9100-2247
ASA4L10	9100-2251	0		INDUCTOR RF-CH-MLD 220NH 10% .105DX.26LG	28480	9100-2251
ASA4L11	9100-2247	4		INDUCTOR RF-CH-MLD 100NH 10% .105DX.26LG	28480	9100-2247
ASA4L12	9100-2251	0		INDUCTOR RF-CH-MLD 220NH 10% .105DX.26LG	28480	9100-2251
ASA4L13	9100-2247	4		INDUCTOR RF-CH-MLD 100NH 10% .105DX.26LG	28480	9100-2247
ASA4L14	9100-2247	4		INDUCTOR RF-CH-MLD 100NH 10% .105DX.26LG	28480	9100-2247
ASA4L15	9100-2251	0		INDUCTOR RF-CH-MLD 220NH 10% .105DX.26LG	28480	9100-2251
ASA4L16	9100-2251	0		INDUCTOR RF-CH-MLD 220NH 10% .105DX.26LG	28480	9100-2251
ASA4MP1	08662-20061	7	1	COVER, 1/2 END	28480	08662-20061
	2960-0113	2		SCREW-MACH 6-32 .25-IN-LG PAN-HD-POZI	00000	ORDER BY DESCRIPTION
ASA4MP2	5001-0178	0		STRAP, GROUND	28480	5001-0178
ASA4MP3	5001-0178	0		STRAP, GROUND	28480	5001-0178
ASA4Q1	1854-0247	9		TRANSISTOR NPN SI TO-39 PD=1W FT=800MHZ	28480	1854-0247
ASA4Q2	1854-0247	9		TRANSISTOR NPN SI TO-39 PD=1W FT=800MHZ	28480	1854-0247
ASA4Q3	1854-0345	8	6	TRANSISTOR NPN 2N5179 SI TO-72 PD=200MW	04713	2N5179
	1205-0037	0	10	HEAT SINK TO-18-CS	28480	1205-0037
ASA4Q4	1854-0345	8		TRANSISTOR NPN 2N5179 SI TO-72 PD=200MW	04713	2N5179
	1205-0037	0		HEAT SINK TO-18-CS	28480	1205-0037
ASA4Q5	1854-0404	0		TRANSISTOR NPN SI TO-18 PD=360MW	28480	1854-0404
	1205-0037	0		HEAT SINK TO-18-CS	28480	1205-0037
ASA4Q6	1853-0451	5		TRANSISTOR PNP 2N3799 SI TO-18 PD=360MW	01295	2N3799
2234A TO 2927A						
ASA4Q7	1855-0235	7	3	TRANSISTOR J-FET N-CHAN D-MODE TO-52 SI	28480	1855-0235
2936A AND ABOVE						
ASA4Q7	1855-0235	7	3	TRANSISTOR J-FET N-CHAN D-MODE TO-52 SI	28480	1855-0235
P/O Q7	1205-0037	0		HEATSINK TO-18-CS	28480	1205-0037
ASA4Q8	1853-0451	5		TRANSISTOR PNP 2N3799 SI TO-18 PD=360MW	01295	2N3799
	1205-0037	0		HEAT SINK TO-18-CS	28480	1205-0037
ASA4Q9	1854-0404	0		TRANSISTOR NPN SI TO-18 PD=360MW	28480	1854-0404
ASA4Q10	1853-0451	5		TRANSISTOR PNP 2N3799 SI TO-18 PD=360MW	01295	2N3799
ASA4Q11	1854-0404	0		TRANSISTOR NPN SI TO-18 PD=360MW	28480	1854-0404
ASA4Q12	1853-0012	4	2	TRANSISTOR PNP 2N2904A SI TO-39 PD=600MW	01295	2N2904A
2234A TO 2548A						
ASA4R1	2100-2514	1	1	RESISTOR-TRMR 20K 10% C SIDE-ADJ 1-TRN	30983	ET50W203
2548A AND ABOVE						
ASA4R1	2100-2516	3	1	RESISTOR-TRMR 100K 10% C SIDE-ADJ 1-TRN	32997	3329W-1-104
ASA4R2	0757-0424	7	1	RESISTOR 1.1K 1% .125W F TC=0+-100	24548	C4-1/8-T0-1101-F
ASA4R3	2100-2574	3	2	RESISTOR-TRMR 500 10% C SIDE-ADJ 1-TRN	30983	ET50X501

Table 4-3. Replaceable Parts

old

A3A7

A3A7	08662-60140	7	1	SUM LOOP VCO ASSEMBLY	28480	08662-60140
A3A7C1	0160-3534	1	1	CAPACITOR-FXD 510PF +5% 100VDC MICA	28480	0160-3534
A3A7C2	0160-4084	8		CAPACITOR-FXD .1UF +20% 50VDC CER	28480	0160-4084
A3A7C3	0160-4084	8		CAPACITOR-FXD .1UF +20% 50VDC CER	28480	0160-4084
A3A7C4	0160-5216	0		CAPACITOR-FXD .1UF +10% 100VDC CER	28480	0160-5216
A3A7C5	0160-4084	8		CAPACITOR-FXD .1UF +20% 50VDC CER	28480	0160-4084
A3A7C6	0160-0574	3		CAPACITOR-FXD .022UF +20% 100VDC CER	28480	0160-0574
A3A7C7	0160-3879	7		CAPACITOR-FXD .01UF +20% 100VDC CER	28480	0160-3879
A3A7C8	0160-2619	3		CAPACITOR-FXD 22UF +10% 15VDC TA	25088	D22GS1B15K
A3A7C9	0160-3879	7		CAPACITOR-FXD .01UF +20% 100VDC CER	28480	0160-3879
A3A7C10	0160-3879	7		CAPACITOR-FXD .01UF +20% 100VDC CER	28480	0160-3879
A3A7C11	0160-3879	7		CAPACITOR-FXD .01UF +20% 100VDC CER	28480	0160-3879
A3A7C12	0160-4084	8		CAPACITOR-FXD .1UF +20% 50VDC CER	28480	0160-4084
A3A7C13	0160-4084	8		CAPACITOR-FXD .1UF +20% 50VDC CER	28480	0160-4084
A3A7C14	0160-0127	2		CAPACITOR-FXD 1UF +20% 25VDC CER	28480	0160-0127
A3A7C15	0160-2208	4	1	CAPACITOR-FXD 330PF +5% 300VDC MICA	28480	0160-2208
A3A7C16	0160-2207	3	2	CAPACITOR-FXD 300PF +5% 300VDC MICA	28480	0160-2207
A3A7C17	0160-2207	3		CAPACITOR-FXD 300PF +5% 300VDC MICA	28480	0160-2207
A3A7C18	0160-4084	8		CAPACITOR-FXD .1UF +20% 50VDC CER	28480	0160-4084
A3A7C19	0160-3535	2	1	CAPACITOR-FXD 560PF +5% 300VDC MICA	28480	0160-3535
A3A7C20	0160-0889	3	1	CAPACITOR-FXD .33UF +10% 80VDC POLYE	28480	0160-0889
A3A7C21	0160-4084	8		CAPACITOR-FXD .1UF +20% 50VDC CER	28480	0160-4084
A3A7C22	0160-3878	6		CAPACITOR-FXD 1000PF +20% 100VDC CER	28480	0160-3878
A3A7C23	0160-4768	5		CAPACITOR-FXD 470PF +5% 100VDC CER	28480	0160-4768
A3A7C25	0160-0570	9		CAPACITOR-FXD 220PF +20% 100VDC CER	20932	5024EM100RD221M
A3A7C28	0160-3878	6		CAPACITOR-FXD 1000PF +20% 100VDC CER	28480	0160-3878
A3A7C29	0160-3878	6		CAPACITOR-FXD 1000PF +20% 100VDC CER	28480	0160-3878
A3A7C30	0160-3878	6		CAPACITOR-FXD 1000PF +20% 100VDC CER	28480	0160-3878
A3A7C31	0160-3878	6		CAPACITOR-FXD 1000PF +20% 100VDC CER	28480	0160-3878
A3A7C32	0160-2261	9	2	CAPACITOR-FXD 15PF +5% 500VDC CER 0+-30	28480	0160-2261
A3A7C33	0160-3878	6		CAPACITOR-FXD 1000PF +20% 100VDC CER	28480	0160-3878
A3A7C34	0160-3879	7		CAPACITOR-FXD .01UF +20% 100VDC CER	28480	0160-3879
A3A7C35	0160-3879	7		CAPACITOR-FXD .01UF +20% 100VDC CER	28480	0160-3879
A3A7C36	0160-2266	4	1	CAPACITOR-FXD 24PF +5% 500VDC CER 0+-30	28480	0160-2266
A3A7C37	0160-3879	7		CAPACITOR-FXD .01UF +20% 100VDC CER	28480	0160-3879
A3A7C38	0160-3878	6		CAPACITOR-FXD 1000PF +20% 100VDC CER	28480	0160-3878
A3A7C39	0160-2261	9		CAPACITOR-FXD 15PF +5% 500VDC CER 0+-30	28480	0160-2261
A3A7C40	0160-3879	7		CAPACITOR-FXD .01UF +20% 100VDC CER	28480	0160-3879
A3A7C41	0160-2264	2		CAPACITOR-FXD 20PF +5% 500VDC CER 0+-30	28480	0160-2264
A3A7CR1	1901-0040	1		DIODE-SWITCHING 30V 50MA 2NS DO-35	28480	1901-0040
A3A7CR2	1901-0040	1		DIODE-SWITCHING 30V 50MA 2NS DO-35	28480	1901-0040
A3A7CR3	1901-0040	1		DIODE-SWITCHING 30V 50MA 2NS DO-35	28480	1901-0040
A3A7CR4	1901-0040	1		DIODE-SWITCHING 30V 50MA 2NS DO-35	28480	1901-0040
A3A7CR5	1901-0040	1		DIODE-SWITCHING 30V 50MA 2NS DO-35	28480	1901-0040
A3A7CR6	1901-0040	1		DIODE-SWITCHING 30V 50MA 2NS DO-35	28480	1901-0040
A3A7CR7	1901-0040	1		DIODE-SWITCHING 30V 50MA 2NS DO-35	28480	1901-0040
A3A7CR8	1901-0040	1		DIODE-SWITCHING 30V 50MA 2NS DO-35	28480	1901-0040
A3A7CR9	1901-0040	1		DIODE-SWITCHING 30V 50MA 2NS DO-35	28480	1901-0040
A3A7CR10	1901-0518	8		DIODE-SM SIG SCHOTTKY	28480	1901-0518

Table 4-3. Replaceable Parts

old

A3A7CR11	1901-0040	1	DIODE-SWITCHING 30V 50MA 2NS DO-35	28480	1901-0040
A3A7CR12	1901-0040	1	DIODE-SWITCHING 30V 50MA 2NS DO-35	28480	1901-0040
<i>2234A TO 2419A</i>					
A3A7CR13	0122-0065	7	DIODE-VVC 29PF 3%	28480	0122-0065
A3A7CR14	0122-0065	7	DIODE-VVC 29PF 3%	28480	0122-0065
<i>2441A TO 2548A</i>					
A3A7CR18	0122-0162	5	DVVC 29PF 5.0CR	28480	0122-0162
A3A7CR14	0122-0162	5	DVVC 29PF 5.0CR	28480	0122-0162
<i>2549A AND ABOVE</i>					
A3A7CR13	0122-0173	8	DIODE-VVC 29PF 10% C3/C25-MIN=5 BVR=30V	28480	0122-0173
A3A7CR14	0122-0173	8	DIODE-VVC 29PF 10% C3/C25-MIN=5 BVR=30V	28480	0122-0173
A3A7CR15	1901-0518	8	DIODE-SM SIG SCHOTTKY	28480	1901-0518
A3A7CR18	1901-0518	8	DIODE-SM SIG SCHOTTKY	28480	1901-0518
<i>A3A7J1</i>					
	1250-1220	0	CONNECTOR-RF SMC M PC 50-OHM	28480	1250-1220
	2190-0124	4	WASHER-LK INTL T NO. 10 .195-IN-HD	28480	2190-0124
	2850-0078	9	NUT-HEX-DBL-CHAM 10-32-THD .067-IN-THK	28480	2850-0078
<i>A3A7J2</i>					
	1250-1220	0	CONNECTOR-RF SMC M PC 50-OHM	28480	1250-1220
	2190-0124	4	WASHER-LK INTL T NO. 10 .195-IN-HD	28480	2190-0124
	2850-0078	9	NUT-HEX-DBL-CHAM 10-32-THD .067-IN-THK	28480	2850-0078
<i>A3A7L1</i>					
A3A7L1	9100-1630	7	2 INDUCTOR RF-CH-MLD 51UH 5% .166DX.385LG	28480	9100-1630
A3A7L2	9140-0144	0	INDUCTOR RF-CH-MLD 4.7UH 10% .105DX.26LG	28480	9140-0144
A3A7L3	9140-0144	0	INDUCTOR RF-CH-MLD 4.7UH 10% .105DX.26LG	28480	9140-0144
A3A7L4	9140-0144	0	INDUCTOR RF-CH-MLD 4.7UH 10% .105DX.26LG	28480	9140-0144
A3A7L5	9100-1629	4	INDUCTOR RF-CH-MLD 47UH 5% .166DX.385LG	28480	9100-1629
<i>A3A7L6</i>					
A3A7L6	9100-1630	7	INDUCTOR RF-GH-MLD 51UH 5% .166DX.385LG	28480	9100-1630
A3A7L7	9140-0142	8	INDUCTOR RF-CH-MLD 2.2UH 10% .105DX.26LG	28480	9140-0142
A3A7L8	08662-00076	2	INDUCTOR, OSCILLATOR	28480	08662-00076
A3A7L9	9100-2247	4	INDUCTOR RF-CH-MLD 100NH 10% .105DX.26LG	28480	9100-2247
A3A7L10	9100-2251	0	INDUCTOR RF-CH-MLD 220NH 10% .105DX.26LG	28480	9100-2251
<i>A3A7L11</i>					
A3A7L11	9100-2247	4	INDUCTOR RF-CH-MLD 100NH 10% .105DX.26LG	28480	9100-2247
A3A7L12	9100-2247	4	INDUCTOR RF-CH-MLD 100NH 10% .105DX.26LG	28480	9100-2247
A3A7L13	9100-2251	0	INDUCTOR RF-CH-MLD 220NH 10% .105DX.26LG	28480	9100-2251
A3A7L14	9100-2251	0	INDUCTOR RF-CH-MLD 220NH 10% .105DX.26LG	28480	9100-2251
A3A7L15	9100-2247	4	INDUCTOR RF-CH-MLD 100NH 10% .105DX.26LG	28480	9100-2247
<i>A3A7L16</i>					
A3A7L16	9100-2251	0	INDUCTOR RF-CH-MLD 220NH 10% .105DX.26LG	28480	9100-2251
<i>A3A7MP1</i>					
A3A7MP1	08662-00089	7	1 COVER, 1/2 END	28480	08662-00089
	2380-0113	2	SCREW-MACH 6-32 .25-IN-LG PAN-HD-POZI	00000	ORDER BY DESCRIPTION
<i>A3A7MP2</i>					
A3A7MP2	5001-0176	0	STRAP, GROUND	28480	5001-0176
<i>A3A7MP3</i>					
A3A7MP3	5001-0176	0	STRAP, GROUND	28480	5001-0176
<i>A3A7Q1</i>					
A3A7Q1	1854-0247	9	TRANSISTOR NPN SI TO-39 PD=1W FT=800MHZ	28480	1854-0247
<i>A3A7Q2</i>					
A3A7Q2	1854-0247	9	TRANSISTOR NPN SI TO-39 PD=1W FT=800MHZ	28480	1854-0247
<i>A3A7Q3</i>					
A3A7Q3	1854-0345	8	TRANSISTOR NPN 2N5179 SI TO-72 PD=200MW	04713	2N5179
	1205-0037	0	HEAT SINK TO-18-CS	28480	1205-0037
<i>A3A7Q4</i>					
A3A7Q4	1854-0345	8	TRANSISTOR NPN 2N5179 SI TO-72 PD=200MW	04713	2N5179
	1205-0037	0	HEAT SINK TO-18-CS	28480	1205-0037
<i>A3A7Q5</i>					
A3A7Q5	1854-0404	0	TRANSISTOR NPN SI TO-18 PD=360MW	28480	1854-0404
	1205-0031	4	1 THERMAL LINK TO-18-CS	28480	1205-0031
<i>A3A7Q6</i>					
A3A7Q6	1854-0404	0	TRANSISTOR NPN SI TO-18 PD=360MW	28480	1854-0404
<i>A3A7Q7</i>					
A3A7Q7	1853-0451	5	TRANSISTOR PNP 2N3799 SI TO-18 PD=360MW	01295	2N3799
<i>2234A TO 2927A</i>					
A3A7Q8	1855-0235	7	TRANSISTOR J-FET N-CHAN D-MODE TO-52 SI	28480	1855-0235
<i>2936A AND ABOVE</i>					
A3A7Q8	1855-0235	7	TRANSISTOR J-FET N-CHAN D-MODE TO-52 SI	28480	1855-0235
P/O Q8	1205-0037	0	HEAT SINK TO-18-CS	28480	1205-0037
A3A7Q8	1853-0451	5	TRANSISTOR PNP 2N3799 SI TO-18 PD=360MW	01295	2N3799
	1205-0037	0	HEAT SINK TO-18-CS	28480	1205-0037
A3A7Q10	1853-0451	5	TRANSISTOR PNP 2N3799 SI TO-18 PD=360MW	01295	2N3799

old

Table 6-3. Replaceable Parts

Reference Designation	HP Part Number	C D	Qty.	Description	Mfr. Code	Mfr. Part Number
A4A1L8	9170-0029	3		CORE-SHIELDING BEAD	29480	9170-0029
A4A1MP1	08663-00050 2360-0113	3 2	1	COVER AGC SCREW-MACH 6-32 .25-IN-LG PAN-HD-POZI	29480 00000	08663-00050 ORDER BY DESCRIPTION
A4A1Q1	1855-0414	4	5	TRANSISTOR J-FET 2N4393 N-CHAN D-MODE	04713	2N4393
A4A1Q2	1853-0459	3	5	TRANSISTOR PNP SI PD=625MW FT=200MHZ	29480	1853-0459
A4A1Q3	1854-0637	1	5	TRANSISTOR NPN 2N2219A SI TO-5 PD=800MW	01295	2N2219A
A4A1Q4	1854-0637	1		TRANSISTOR NPN 2N2219A SI TO-5 PD=800MW	01295	2N2219A
A4A1Q5	1854-0637	1		TRANSISTOR NPN 2N2219A SI TO-5 PD=800MW	01295	2N2219A
A4A1Q6	1855-0414	4		TRANSISTOR J-FET 2N4393 N-CHAN D-MODE	04713	2N4393
A4A1Q7	1855-0414	4		TRANSISTOR J-FET 2N4393 N-CHAN D-MODE	04713	2N4393
A4A1Q8	1855-0414	4		TRANSISTOR J-FET 2N4393 N-CHAN D-MODE	04713	2N4393
A4A1Q9	1854-0811	3	6	TRANSISTOR NPN SI PD=625MW FT=100MHZ	29480	1854-0811
A4A1Q10	1854-0811 9170-0847	3 3		TRANSISTOR NPN SI PD=625MW FT=100MHZ CORE-SHIELDING BEAD	29480 02114	1854-0811 58-590-85/3B PARYLENE COATED
2234A TO 2546A A4A1Q11	1853-0318	1	2	TRANSISTOR-DUAL PNP PD=500MW	29480	1853-0318
2548A AND ABOVE A4A1Q11	1853-0594	7		TRANSISTOR-DUAL PNP 2N3808 TO-78	04713	2N3808
A4A1Q12	1854-0811	3		TRANSISTOR NPN SI PD=625MW FT=100MHZ	29480	1854-0811
A4A1Q13	1854-0811	3		TRANSISTOR NPN SI PD=625MW FT=100MHZ	29480	1854-0811
2234A TO 2546A A4A1Q14	1853-0318	1		TRANSISTOR-DUAL PNP PD=500MW	29480	1853-0318
2548A AND ABOVE A4A1Q14	1853-0594	7		TRANSISTOR-DUAL PNP 2N3808 TO-78	04713	2N3808
A4A1Q15	1855-0414	4		TRANSISTOR J-FET 2N4393 N-CHAN D-MODE	04713	2N4393
A4A1Q16	1854-0811	3		TRANSISTOR NPN SI PD=625MW FT=100MHZ	29480	1854-0811
A4A1Q17	1854-0637	1		TRANSISTOR NPN 2N2219A SI TO-5 PD=800MW	01295	2N2219A
A4A1Q18	1854-0811	3		TRANSISTOR NPN SI PD=625MW FT=100MHZ	29480	1854-0811
A4A1Q19	1853-0314 0340-0834 1205-0095	9 0 0	1	TRANSISTOR PNP 2N2905A SI TO-39 PD=600MW INSULATOR-XSTR POLYI HEAT SINK SGL TO-5/TO-39-CS	04713 29480 30181	2N2905A 0340-0834 3225B
A4A1Q20	1853-0405	9	1	TRANSISTOR PNP SI PD=300MW FT=950MHZ	04713	2N4209
A4A1R1	0698-7282	7		RESISTOR 4.64K 1% .05W F TC=0+-100	24546	C3-1/8-T0-4641-F
A4A1R2	0698-7226	7	1	RESISTOR 464 1% .05W F TC=0+-100	24546	C3-1/8-T0-464R-F
A4A1R3	0698-7253	9		RESISTOR 5.11K 1% .05W F TC=0+-100	24546	C3-1/8-T0-5111-F
A4A1R4	2100-3056	8	2	RESISTOR-TRMR 5K 10% C SIDE-ADJ 17-TRN	02111	43P502
A4A1R5	0757-0818	3	1	RESISTOR 825 1% .5W F TC=0+-100	29480	0757-0818
A4A1R6	0698-3154	0		RESISTOR 4.22K 1% .125W F TC=0+-100	24546	C4-1/8-T0-4221-F
A4A1R7	0698-7248	1		RESISTOR 3.16K 1% .05W F TC=0+-100	24546	C3-1/8-T0-3161-F
A4A1R8	2100-3056	9		RESISTOR-TRMR 5K 10% C SIDE-ADJ 17-TRN	02111	43P502
A4A1R9	0698-7236	7		RESISTOR 1K 1% .05W F TC=0+-100	24546	C3-1/8-T0-1001-F
A4A1R10	0698-7212	9		RESISTOR 100 1% .05W F TC=0+-100	24546	C3-1/8-T0-100R-F
A4A1R11	0698-7212	9		RESISTOR 100 1% .05W F TC=0+-100	24546	C3-1/8-T0-100R-F
A4A1R12	0698-7260	7		RESISTOR 10K 1% .05W F TC=0+-100	24546	C3-1/8-T0-1002-F
A4A1R13	0698-7212	9		RESISTOR 100 1% .05W F TC=0+-100	24546	C3-1/8-T0-100R-F
A4A1R14	0698-7260	7		RESISTOR 10K 1% .05W F TC=0+-100	24546	C3-1/8-T0-1002-F
A4A1R15	0698-7212	9		RESISTOR 100 1% .05W F TC=0+-100	24546	C3-1/8-T0-100R-F
A4A1R16	0698-7212	9		RESISTOR 100 1% .05W F TC=0+-100	24546	C3-1/8-T0-100R-F
A4A1R17	0757-0732	0	1	RESISTOR 909 1% .25W F TC=0+-100	24546	C5-1/4-T0-909R-F
A4A1R18	0698-0082	7		RESISTOR 464 1% .125W F TC=0+-100	24546	C4-1/8-T0-4640-F
A4A1R19	2100-3103	6	3	RESISTOR-TRMR 10K 10% C SIDE-ADJ 17-TRN	02111	43P103
A4A1R20	0757-0280	3		RESISTOR 1K 1% .125W F TC=0+-100	24546	C4-1/8-T0-1001-F
A4A1R21	0757-0417	8	1	RESISTOR 562 1% .125W F TC=0+-100	24546	C4-1/8-T0-562R-F

† Refer to Section 7 for update information.

* Factory Selected Component (Refer to Section 5.)

old

Table 6-3. Replaceable Parts

Reference Designation	HP Part Number	C D	Qty.	Description	Mfr. Code	Mfr. Part Number
A4A1R22	2100-3207	1	2	RESISTOR-TRMR 5K 10% C SIDE-ADJ 1-TRN	29480	2100-3207
A4A1R23	2100-3353	8	2	RESISTOR-TRMR 20K 10% C SIDE-ADJ 1-TRN	29480	2100-3353
A4A1R24	2100-3207	1		RESISTOR-TRMR 5K 10% C SIDE-ADJ 1-TRN	29480	2100-3207
A4A1R25	2100-3352	7	1	RESISTOR-TRMR 1K 10% C SIDE-ADJ 1-TRN	29480	2100-3352
A4A1R26	0698-7229	8		RESISTOR 511 1% .05W F TC=0+-100	24546	C3-1/B-T0-511R-F
A4A1R27	0757-1094	8	1	RESISTOR 1.47K 1% .125W F TC=0+-100	24546	C4-1/B-T0-1471-F
A4A1R28	0757-0279	0		RESISTOR 3.16K 1% .125W F TC=0+-100	24546	C4-1/B-T0-3161-F
A4A1R29	0698-7260	7		RESISTOR 10K 1% .05W F TC=0+-100	24546	C3-1/B-T0-1002-F
A4A1R30	0698-7236	7		RESISTOR 1K 1% .05W F TC=0+-100	24546	C3-1/B-T0-1001-F
A4A1R31	0698-7220	9		RESISTOR 215 1% .05W F TC=0+-100	24546	C3-1/B-T0-215R-F
A4A1R32	0757-0279	0		RESISTOR 3.16K 1% .125W F TC=0+-100	24546	C4-1/B-T0-3161-F
A4A1R33	0698-3152	8		RESISTOR 3.48K 1% .125W F TC=0+-100	24546	C4-1/B-T0-3481-F
A4A1R34	2100-3109	2	1	RESISTOR-TRMR 2K 10% C SIDE-ADJ 17-TRN	02111	43P202
A4A1R35	0698-0095	0	1	RESISTOR 2.81K 1% .125W F TC=0+-100	24546	C4-1/B-T0-2811-F
A4A1R36	0698-0082	7		RESISTOR 464 1% .125W F TC=0+-100	24546	C4-1/B-T0-4640-F
A4A1R37	0698-7253	8		RESISTOR 5.11K 1% .05W F TC=0+-100	24546	C3-1/B-T0-5111-F
A4A1R38	2100-3353	8		RESISTOR-TRMR 20K 10% C SIDE-ADJ 1-TRN	29480	2100-3353
A4A1R39	0698-3152	8		RESISTOR 3.48K 1% .125W F TC=0+-100	24546	C4-1/B-T0-3481-F
A4A1R40	0698-7259	4	2	RESISTOR 8.09K 1% .05W F TC=0+-100	24546	C3-1/B-T0-8091-F
A4A1R41	0698-7272	1		RESISTOR 31.6K 1% .05W F TC=0+-100	24546	C3-1/B-T0-3162-F
A4A1R42	0698-7236	7		RESISTOR 1K 1% .05W F TC=0+-100	24546	C3-1/B-T0-1001-F
A4A1R43	0698-7259	4		RESISTOR 9.09K 1% .05W F TC=0+-100	24546	C3-1/B-T0-9091-F
A4A1R44	0698-7212	9		RESISTOR 100 1% .05W F TC=0+-100	24546	C3-1/B-T0-100R-F
A4A1R45	0698-7212	9		RESISTOR 100 1% .05W F TC=0+-100	24546	C3-1/B-T0-100R-F
A4A1R46	0698-7253	8		RESISTOR 5.11K 1% .05W F TC=0+-100	24546	C3-1/B-T0-5111-F
A4A1R47	0698-7253	8		RESISTOR 5.11K 1% .05W F TC=0+-100	24546	C3-1/B-T0-5111-F
A4A1R48	0698-7294	6		RESISTOR 100K 1% .05W F TC=0+-100	24546	C3-1/B-T0-1003-F
A4A1R49	0698-7236	7		RESISTOR 1K 1% .05W F TC=0+-100	24546	C3-1/B-T0-1001-F
A4A1R50	0698-7236	7		RESISTOR 1K 1% .05W F TC=0+-100	24546	C3-1/B-T0-1001-F
A4A1R51	0698-3453	2	1	RESISTOR 136K 1% .125W F TC=0+-100	24546	C4-1/B-T0-1363-F
A4A1R52	0698-7212	9		RESISTOR 100 1% .05W F TC=0+-100	24546	C3-1/B-T0-100R-F
A4A1R53	0698-7212	9		RESISTOR 100 1% .05W F TC=0+-100	24546	C3-1/B-T0-100R-F
A4A1R54	0698-7260	7		RESISTOR 10K 1% .05W F TC=0+-100	24546	C3-1/B-T0-1002-F
A4A1R55	0698-7267	4	1	RESISTOR 19.6K 1% .05W F TC=0+-100	24546	C3-1/B-T0-1962-F
A4A1R56	0698-7222	1		RESISTOR 261 1% .05W F TC=0+-100	24546	C3-1/B-T0-261R-F
A4A1R57	0764-0013	6	1	RESISTOR 56 5% 2W MO TC=0+-200	29480	0764-0013
A4A1R58	0757-0198	2	1	RESISTOR 100 1% .5W F TC=0+-100	29480	0757-0198
A4A1R59	0698-7205	0		RESISTOR 51.1 1% .05W F TC=0+-100	24546	C3-1/B-T0-511R-F
A4A1R60	0698-7240	3		RESISTOR 1.47K 1% .05W F TC=0+-100	24546	C3-1/B-T0-1471-F
A4A1R61	0698-7249	2		RESISTOR 3.48K 1% .05W F TC=0+-100	24546	C3-1/B-T0-3481-F
A4A1R62	0698-7291	2	1	RESISTOR 75K 2% .05W F TC=0+-100	24546	C3-1/B-T0-7502-G
A4A1R63	0757-0419	0		RESISTOR 691 1% .125W F TC=0+-100	24546	C4-1/B-T0-691R-F
A4A1R64	0698-7212	9		RESISTOR 100 1% .05W F TC=0+-100	24546	C3-1/B-T0-100R-F
A4A1R65	0698-7212	9		RESISTOR 100 1% .05W F TC=0+-100	24546	C3-1/B-T0-100R-F
A4A1R66	0698-7231	2	1	RESISTOR 619 1% .05W F TC=0+-100	24546	C3-1/B-T0-619R-F
A4A1R67	0698-3454	3	3	RESISTOR 215K 1% .125W F TC=0+-100	24546	C4-1/B-T0-2153-F
A4A1R68	0698-3454	3		RESISTOR 215K 1% .125W F TC=0+-100	24546	C4-1/B-T0-2153-F
A4A1R69	0698-3454	3		RESISTOR 215K 1% .125W F TC=0+-100	24546	C4-1/B-T0-2153-F
A4A1R70	0698-7224	3		RESISTOR 316 1% .05W F TC=0+-100	24546	C3-1/B-T0-316R-F
A4A1R71	0698-7245	8		RESISTOR 2.37K 1% .05W F TC=0+-100	24546	C3-1/B-T0-2371-F

† Refer to Section 7 for update information.

* Factory Selected Component (Refer to Section 5.)

Table 6-3. Replaceable Parts

Reference Designation	HP Part Number	C D	Qty.	Description	Mfr. Code	Mfr. Part Number
A4A4A1						
NOTE <i>The A4A4 Assembly and its sub-assemblies are not recommended for field repair.</i>						
A4A4A1	08683-60312	6	1	BOARD ASSEMBLY-PM MIXER INPUT (OPTION 002 ONLY)	28480	08683-60312
A4A4A1C1	0180-3879	7	186	CAPACITOR-FXD .01PF +20% 100VDC CER	28480	0180-3879
A4A4A1C2	0160-3879	7		CAPACITOR-FXD .01UF +20% 100VDC CER	28480	0160-3879
A4A4A1C3	0180-5978	8	2	CAPACITOR-FXD 10PF +5% 50VDC CER 0+-30	24840	0160-5975
A4A4A1C4	0180-5978	8	2	CAPACITOR-FXD 10PF +5% 50VDC CER 0+-30	24840	0160-5975
A4A4A1C5	0180-4386	3	4	CAPACITOR-FXD 33PF +5% 200VDC CER 0+-30	28480	0160-4386
A4A4A1C6	0180-4386	3		CAPACITOR-FXD 33PF +5% 200VDC CER 0+-30	28480	0160-4386
A4A4A1C7	0160-3877	5	23	CAPACITOR-FXD 100PF +20% 200VDC CER	28480	0160-3877
A4A4A1C8	0180-3877	5		CAPACITOR-FXD 100PF +20% 200VDC CER	28480	0160-3877
A4A4A1C9	0180-3879	7		CAPACITOR-FXD .01UF +20% 100VDC CER	28480	0160-3879
A4A4A1C10	0160-3877	5		CAPACITOR-FXD 100PF +20% 200VDC CER	28480	0160-3877
A4A4A1CR1	1901-1096	9		DIODE-PIN	28480	1901-1096
A4A4A1CR2	1901-1096	9		DIODE-PIN	28480	1901-1096
A4A4A1CR3	1901-0050	3	94	DIODE-SWITCHING 80V 200MA 2NS DO-35	28480	1901-0050
A4A4A1CR4	1901-0839	4	1	DIODE-PIN	28480	5082-3080
A4A4A1CR5	1901-1095	8	1	DIODE-SM SIG SCHÖTTKY	28480	1901-1095
A4A4A1CR6				NOT ASSIGNED		
A4A4A1L1	9100-3922	4	74	INDUCTOR-FIXED 120-1300 HZ	28480	9100-3922
A4A4A1L2	9100-3922	4		INDUCTOR-FIXED 120-1300 HZ	28480	9100-3922
A4A4A1Q1	1854-0720	3	12	TRANSISTOR NPN SI PD=500MW FT=4GHZ	28480	1854-0720
A4A4A1R1	0699-0130	8	12	RESISTOR 287 5% .1W C TC=0+-200	28480	0699-0130
A4A4A1R2	0699-7253	8		RESISTOR 5.11K 1% .05W F TC=0+-100	24546	C3-1/8-T0-5111-F
A4A4A1R3	0699-7288	9	3	RESISTOR 147K 1% .05W F TC=0+-100	24546	C3-1/8-T0-1473-F
A4A4A1R4	0699-7209	4	5	RESISTOR 75 1% .05W F TC=0+-100	24546	C3-1/8-T0-75R0-F
A4A4A1R5	0699-3444	1	8	RESISTOR 318 1% .125W F TC=0+-100	24546	C4-1/8-T0-318R-F
A4A4A1R6	0757-0424	7	4	RESISTOR 1.1K 1% .125W F TC=0+-100	24546	C4-1/8-T0-1101-F
A4A4A1R7	0699-3132	4	7	RESISTOR 261 1% .125W F TC=0+-100	24546	C4-1/8-T0-2610-F
A4A4A1R8	0699-7277	6	15	RESISTOR 51.1K 1% .05W F TC=0+-100	24546	C3-1/8-T0-5112-F
A4A4A1R9	0699-7236	7	88	RESISTOR 1K 1% .05W F TC=0+-100	24546	C3-1/8-T0-1001-F
A4A4A1R10	2100-1986	9	2	RESISTOR-TRMR 1K 10% C TOP-ADJ 1-TRN	73136	82PR1K
A4A4A1R11	0699-7294	5	4	RESISTOR 100K 1% .05W F TC=0+-100	24546	C3-1/8-T0-1003-F
A4A4A1R12	0699-7205	0	35	RESISTOR 51.1 1% .05W F TC=0+-100	24546	C3-1/8-T0-51R1-F
A4A4A1U1	1826-0547	3	2	IC OP AMP LOW-BIAS-H-IMPD DUAL 8-DIP-P	01295	TL072ACP
A4A4A1VR1	1902-0959	3	1	DIODE-ZNR 11V 5% DO-35 PD=4W TC=+.076%	28480	1902-0959

†Refer to Section 7 for update information.

*Factory Selected Component (Refer to Section 5).

old

Table 6-3. Replaceable Parts

Reference Designation	HP Part Number	C D	Qty.	Description	Mfr. Code	Mfr. Part Number
A4A4A2 †						
08663-60314 – SERIAL PREFIX 2234A TO 2533A						
<i>NOTE</i>						
<i>The A4A4 Assembly and its sub-assemblies are not recommended for field repair.</i>						
A4A4A2	08663-60314	8	1	BOARD-PM IF AMP	28480	08663-60314
A4A4A2C1	0160-5975	8	1	CAPACITOR-FXD 10PF +-5% 50VDC CER	28480	0160-5975
A4A4A2MP1	08663-20048	1	1	POLYRON SHIELD	28480	08663-20048
A4A4A2Q1 †				REPLACEMENT NO LONGER AVAILABLE		
A4A4A2R1	0698-3390	6	3	RESISTOR 19.8 1% .5W F TC=0+-100	28480	0698-3390
A4A4A2R2	0698-5378	4	1	RESISTOR 100 10% .1W C TC=0+-200	26654	3C101K
A4A4A2VR1	1902-0955	9	3	DIODE-ZNR 7.5V 5% DO-35 PD=.4W TC=+.062%	28480	1902-0955
A4A4A2						
08663-60368 – SERIAL PREFIX 2535A AND ABOVE						
A4A4A2	08663-60368	2	1	PHASE MOD IF AMP ASSEMBLY	28480	08663-60368
A4A4A2C1	0160-5975	8	3	CAPACITOR-FXD 10PF +-5% 50VDC CER	28480	0160-5975
A4A4A2C2	0160-5975	8	3	CAPACITOR-FXD 10PF +-5% 50VDC CER	28480	0160-5975
A4A4A2C3	0160-5975	8	3	CAPACITOR-FXD 10PF +-5% 50VDC CER	28480	0160-5975
A4A4A2C4	0160-5975	8	1	CAPACITOR-FXD 10PF +-5% 50VDC CER	28480	0160-5975
A4A4A2MP1	08663-20068	5	1	SHIELD, POLYRON	28480	08663-20068
A4A4A2Q1	1855-0643	1	8	TRANSISTOR GAAS FET GALLIUM ARSENIDE	60545	NE72089A
A4A4A2Q2	1855-0643	1	8	TRANSISTOR GAAS FET GALLIUM ARSENIDE	60545	NE72089A
A4A4A2R1	0699-0183	1	4	RESISTOR 436 5% .1W C TC=0+-200	28480	0699-0183
A4A4A2R2	0699-0128	4	2	RESISTOR 10 5% .1W C TC=0+-200	26654	3C100J
A4A4A2R3	0699-0183	1	4	RESISTOR 436 5% .1W C TC=0+-200	28480	0699-0183
A4A4A2R4	0699-0183	1	4	RESISTOR 436 5% .1W C TC=0+-200	28480	0699-0183
A4A4A2R5	0699-0128	4	2	RESISTOR 10 5% .1W C TC=0+-200	26654	3C100J
A4A4A2R6	0699-0183	1	4	RESISTOR 436 5% .1W C TC=0+-200	28480	0699-0183
A4A4A2R7	0757-0401	0		RESISTOR 100 1% .125W F TC=0=-100	24546	C4-1/8-TO-101-F
A4A4A2R8	2100-2216	0		RESISTOR-TRMR 5K 10% C TOP-ADJ 1-TRN	73138	82PR5K
A4A4A2R9	0698-3435	0		RESISTOR 38.3 1% .125W F TC=0=-100	24546	C4-1/8-TO-38R3-F
A4A4A2R10	0757-0401	0		RESISTOR 100 1% .125W F TC=0=-100	24546	C4-1/8-TO-101-F
A4A4A2R11	2100-2216	0		RESISTOR-TRMR 5K 10% C TOP-ADJ 1-TRN	73138	82PR5K
A4A4A2R12	0698-3435	0		RESISTOR 38.3 1% .125W F TC=0=-100	24546	C4-1/8-TO-38R3-F
A4A4A2VR1	1902-0951	5		DIODE-ZNR 5.1V 5% DO-35 PD=.4W TC=.035%	28480	1902-0951
A4A4A2VR2	1902-0951	5		DIODE-ZNR 5.1V 5% DO-35 PD=.4W TC=.035%	28480	1902-0951

†Refer to Section 7 for update information.

*Factory Selected Component (Refer to Section 5).

Table 6-3. Replaceable Parts

Reference Designation	HP Part Number	C D	Qty.	Description	Mfr. Code	Mfr. Part Number
A7A3						
A7A3	08662-60289	5	1	INVERTER ASSEMBLY	28480	08662-60289
A7A3C1	0180-4612	0	2	CAPACITOR-FXD 15UF+50-10% 300VDC AL	28480	0180-4612
A7A3C2	0180-4612	0		CAPACITOR-FXD 15UF+50-10% 300VDC AL	28480	0180-4612
A7A3C3	0180-0116	1		CAPACITOR-FXD 8.8UF+10% 35VDC TA	58289	150D685X9035B2
A7A3C4	0180-0116	1		CAPACITOR-FXD 8.8UF+10% 35VDC TA	58289	150D685X9035B2
A7A3C5	0160-4217	9	1	CAPACITOR-FXD 3900PF +-1% 500VDC MICA	28480	0160-4217
A7A3C6	0160-0297	7	1	CAPACITOR-FXD 1200PF +-10% 200VDC POLYE	28480	0160-0297
A7A3C8	0180-2751	4	1	CAPACITOR-FXD 470UF+100-10% 12VDC AL	00853	301EM471U012B
A7A3C9	0180-4814	2	1	CAPACITOR-FXD 68UF+100-10% 60VDC AL	58289	672D686H080DM5C
A7A3C10	0180-2749	0	1	CAPACITOR-FXD 270UF+100-10% 25VDC AL	00853	301EM271U025B
A7A3C11	0180-4613	1	1	CAPACITOR-FXD 27UF+100-10% 100VDC AL	58289	672D276H100DM5C
A7A3C12	0160-0168	1	3	CAPACITOR-FXD .1UF +-10% 200VDC POLYE	28480	0160-0168
A7A3C13	0160-0168	1		CAPACITOR-FXD .1UF +-10% 200VDC POLYE	28480	0160-0168
A7A3CR1	1901-1065	2		DIODE-PWR RECT 1N4936 400V 1A 200NS	14936	1N4936
A7A3CR2	1901-1065	2		DIODE-PWR RECT 1N4936 400V 1A 200NS	14936	1N4936
A7A3CR3	1901-1065	2		DIODE-PWR RECT 1N4936 400V 1A 200NS	14936	1N4936
A7A3CR4	1901-1065	2		DIODE-PWR RECT 1N4936 400V 1A 200NS	14936	1N4936
A7A3CR5	1901-1065	2		DIODE-PWR RECT 1N4936 400V 1A 200NS	14936	1N4936
A7A3CR6	1901-0792	0	2	DIODE-SCHOTTKY 45V 30A	28480	1901-0792
	2740-0003	5	2	NUT-HEX-W/LKWR 10-32-THD .125-IN-THK	00000	ORDER BY DESCRIPTION
A7A3CR7	1901-0792	0		DIODE-SCHOTTKY 45V 30A	28480	1901-0792
	2740-0003	5		NUT-HEX-W/LKWR 10-32-THD .125-IN-THK	00000	ORDER BY DESCRIPTION
A7A3CR8	1901-0685	0	4	DIODE-PWR RECT 250V 5A 200NS	04713	MR822
A7A3CR9	1901-0685	0		DIODE-PWR RECT 250V 5A 200NS	04713	MR822
A7A3CR10	1901-0685	0		DIODE-PWR RECT 250V 5A 200NS	04713	MR822
A7A3CR11	1901-0685	0		DIODE-PWR RECT 250V 5A 200NS	04713	MR822
A7A3CR12	1901-1065	2		DIODE-PWR RECT 1N4936 400V 1A 200NS	14936	1N4936
A7A3CR13	1901-1065	2		DIODE-PWR RECT 1N4936 400V 1A 200NS	14936	1N4936
A7A3CR14	1901-1065	2		DIODE-PWR RECT 1N4936 400V 1A 200NS	14936	1N4936
A7A3F1	2110-0830	9	1	FUSE .4A 125V NTD .25X.27	28480	2110-0830
A7A3F2	9100-4033	0	2	FUSE .4A 125V NTD .25X.27	28480	9100-4033
A7A3L1	9100-4033	0	2	COIL, CHOKE 100 UH	28480	9100-4033
A7A3L2	9100-4033	0		COIL, CHOKE 100 UH	28480	9100-4033
A7A3L3	9100-4016	9	2	COIL, CHOKE 500 UH	28480	9100-4016
A7A3L4	9100-4016	9		COIL, CHOKE 500 UH	28480	9100-4016
A7A3L5	9100-4015	8	1	COIL, CHOKE 6.4 MH	28480	9100-4015
A7A3L6	9140-0315	7	2	FERRITE CHOKE	28480	9140-0315
A7A3L7	9140-0315	7		FERRITE CHOKE	28480	9140-0315
A7A3MP1	4040-0751	8	2	EXTR-PC BD ORN POLYC .062-BD-THKNS	28480	4040-0751
	1480-0073	6		PIN-ROLL .062-IN-DIA .25-IN-LG BE-CU	28480	1480-0073
A7A3MP2	4040-0751	8		EXTR-PC BD ORN POLYC .062-BD-THKNS	28480	4040-0751
	1480-0073	6		PIN-ROLL .062-IN-DIA .25-IN-LG BE-CU	28480	1480-0073
A7A3MP3	08662-00016	0		SUPPORT, PC BOARD #3	28480	08662-00016
A7A3MP4	08662-20042	4	2	EXTRUSION, HEAT SINK, .3	28480	08662-20042
	2380-0117	6	5	SCREW-MACH 6-32 .375-IN-LG PAN-HD-POZI	00000	ORDER BY DESCRIPTION
	08662-00237	7		INSULATOR SHIELD BCK	28480	08662-00237
A7A3MP5	08662-20042	4		EXTRUSION, HEAT SINK, .3	28480	08662-20042
	2380-0117	6		SCREW-MACH 6-32 .375-IN-LG PAN-HD-POZI	00000	ORDER BY DESCRIPTION
	08662-00239	9		INSULATOR SHIELD BCK	28480	08662-00239
2234A TO 2441A						
A7A3MP6	08662-20043	5	1	EXTRUSION, HEAT SINK, DIODE	28480	08662-20043
	6860-0116	1	2	PLUG HOLE	28480	6860-0116
	2360-0117	6		SCREW-MACH 6-32 .375-IN-LG PAN-HD-POZI	00000	ORDER BY DESCRIPTION
2446A AND ABOVE						
A7A3MP6	08662-20043	5	1	EXTRUSION, HEAT SINK, DIODE	28480	08662-20043
	08662-00218	4	1	INSULATOR, HT SK.	28480	08662-00218
	2380-0117	6		SCREW-MACH 6-32 .375-IN-LG PAN-HD-POZI	00000	ORDER BY DESCRIPTION
	08662-00238	8		INSULATOR SHIELD BCK	28480	08662-00238

Replaceable Parts

old

Model 8663A

Table 6-3. Replaceable Parts

Reference Designation	HP Part Number	C D	Qty.	Description	Mfr. Code	Mfr. Part Number
A7A3Q1	1853-0442	4		TRANSISTOR PNP 2N3887 SI TO-5 PD=1W	04713	2N3887
	1200-0173	5		INSULATOR-XSTR DAP-GL	28480	1200-0173
A7A3Q2	1853-0442	4		TRANSISTOR PNP 2N3887 SI TO-5 PD=1W	04713	2N3887
	1200-0173	5		INSULATOR-XSTR DAP-GL	28480	1200-0173
A7A3Q3	1854-0657	5	2	TRANSISTOR NPN SI TO-3 PD=73.5W	28480	1854-0657
	2360-0113	2		SCREW-MACH 6-32 .25-IN-LG PAN-HD-POZI	00000	ORDER BY DESCRIPTION
	1251-2313	6	4	CONNECTOR-SGL CONT SKT .04-IN-BSC-SZ RND	28480	1251-2313
A7A3Q4	1854-0657	5		TRANSISTOR NPN SI TO-3 PD=73.5W	28480	1854-0657
	2360-0113	2		SCREW-MACH 6-32 .25-IN-LG PAN-HD-POZI	00000	ORDER BY DESCRIPTION
	1251-2313	6		CONNECTOR-SGL CONT SKT .04-IN-BSC-SZ RND	28480	1251-2313
A7A3R1	0764-0006	6	4	RESISTOR 18K 5% 2W MO TC=0+-200	28480	0764-0006
A7A3R2	0764-0006	6		RESISTOR 18K 5% 2W MO TC=0+-200	28480	0764-0006
A7A3R3	0757-0402	1	3	RESISTOR 110 1% .125W F TC=0+-100	24546	C4-1/8-T0-111-F
A7A3R4	0757-0402	1		RESISTOR 110 1% .125W F TC=0+-100	24546	C4-1/8-T0-111-F
A7A3R5	0757-0984	4	2	RESISTOR 10 1% .5W F TC=0+-100	28480	0757-0984
A7A3R6	0757-0984	4		RESISTOR 10 1% .5W F TC=0+-100	28480	0757-0984
A7A3R7	0757-0405	4	2	RESISTOR 162 1% .125W F TC=0+-100	24546	C4-1/8-T0-162R-F
A7A3R8	0757-0405	4		RESISTOR 162 1% .125W F TC=0+-100	24546	C4-1/8-T0-162R-F
A7A3R9	0757-0398	4		RESISTOR 75 1% .125W F TC=0+-100	24546	C4-1/8-T0-75R0-F
A7A3R10	0757-0398	4		RESISTOR 75 1% .125W F TC=0+-100	24546	C4-1/8-T0-75R0-F
A7A3R11	0698-3180	2	2	RESISTOR 68 2% 2W MO TC=0+-200	28480	0698-3180
A7A3R12	0698-3180	2		RESISTOR 68 2% 2W MO TC=0+-200	28480	0698-3180
A7A3R13	0698-3620	5	1	RESISTOR 100 5% 2W MO TC=0+-200	28480	0698-3620
A7A3R15	0811-1673	6	1	RESISTOR 3.9 5% 2W PW TC=0+-400	75042	BWH2-3R3-J
A7A3RT1	0837-0153	9	1	THERMISTOR PROBE 100K-OHM TC=-4.6%/C-DEG	83186	51A92
	08682-00162	7	2	PAD, FOAM	28480	08682-00162
	0460-0042	6	2	TAPE ELE .75-IN-W .0025-IN-T POLYE-FLM	00000	ORDER BY DESCRIPTION
A7A3T1	9100-4018	1	2	TRANSFORMER	28480	9100-4018
A7A3T2	9100-4018	1		TRANSFORMER	28480	9100-4018
A7A3T3	9100-4017	0	1	TRANSFORMER	28480	9100-4017
	3050-0062	4	1	WASHER-FL NM NO. 8 .188-IN-ID .438-IN-OD	28480	3050-0062
	2580-0003	6	2	NUT-HEX-W/LKWR 8-32-THD .125-IN-THK	00000	ORDER BY DESCRIPTION

†Refer to Section 7 for update information.

*Factory Selected Component (Refer to Section 5).

Table 6-3. Replaceable Parts

Reference Designation	HP Part Number	C D	Qty.	Description	Mfr. Code	Mfr. Part Number
A7A5						
A7A5MP1	08662-00017	1		COVER, PS BOTTOM	28480	08662-00017
A7A5MP2	08662-00042	2	1	COVER, PS TOP	28480	08662-00042
	08662-00021	7	1	BUMPER, FOAM	28480	08662-00021
A7A5MP3	0380-0388	3	5	STANDOFF-HEX .375-IN-LG 6-32THD	28480	0380-0388
A7A5MP4	0403-0332	7	2	GUIDE-PC BD BLK POLYC .082-BD-THKNS	28480	0403-0332
A7A5MP5	2360-0181	4	13	SCREW-MACH 6-32 .25-IN-LG 82 DEG	00000	ORDER BY DESCRIPTION
A7A5MP6	08662-00054	6	1	SUPPORT, PC	28480	08662-00054
A7A5MP7	08662-00055	7	1	DECK, AC	28480	08662-00055
	08662-00124	1	7	RUBBER, FOAM	28480	08662-00124
A7A5MP8	08662-00015	9	1	SUPPORT, A7XP1	28480	08662-00015
A7A5MP9	2200-0165	6	1	SCREW-MACH 4-40 .25-IN-LG 82 DEG	00000	ORDER BY DESCRIPTION
A7A5MP10	2200-0103	2		SCREW-MACH 4-40 .25-IN-LG PAN-HD-POZI	28480	2200-0103
A7A5MP11	2360-0115	4	1	SCREW-MACH 6-32 .312-IN-LG PAN-HD-POZI	00000	ORDER BY DESCRIPTION
A7A5MP12	08662-00131	0	1	SUPPORT, POWER MODULE	28480	08662-00131
A7A5MP13	08662-00014	6	1	COVER, AC	28480	08662-00014
A7A5XP1	1251-3315	0	1	CONNECTOR 9-PIN M UTILITY	28480	1251-3315
	1251-2097	3	8	CONTACT-CONN U/W-UTIL, MALE CRP	28480	1251-2097

† Refer to Section 7 for update information.

* Factory Selected Component (Refer to Section 5.)

Table 6-3. Replaceable Parts

old

Reference Designation	HP Part Number	C D	Qty.	Description	Mfr. Code	Mfr. Part Number
A8						
ABC1	0160-3036	8		CAPACITOR-FDTHRU 5000PF +80 -20% 200V	28480	0160-3036
ABC2	0160-3036	8		CAPACITOR-FDTHRU 5000PF +80 -20% 200V	28480	0160-3036
ABC3	0160-3036	8		CAPACITOR-FDTHRU 5000PF +80 -20% 200V	28480	0160-3036
ABC4	0160-3036	8		CAPACITOR-FDTHRU 5000PF +80 -20% 200V	28480	0160-3036
ABC5	0160-3036	8		CAPACITOR-FDTHRU 5000PF +80 -20% 200V	28480	0160-3036
2234A TO 2405A						
ABC6						
2408A AND ABOVE						
ABC6	0160-3036	8	8	CAPACITOR-FDTHRU 5000PF +80 -20% 200V	28480	0160-3036
ABMP1	0905-0741	6	1	GASKET, FOAM, SMALL	28480	0905-0741
ABMP2	0905-0742	7	1	GASKET, FOAM, LARGE	28480	0905-0742
ABMP3	5040-0394	8	1	BUTTON-INT	28480	5040-0394
ABMP4	5040-0395	7	2	BUTTON-EXT	28480	5040-0395
ABMP5	08660-00100	1	4	DAMPING PAD, FOAM	28480	08660-00100
ABMP6	08662-00124	1		RUBBER FOAM	28480	08662-00124
ABMP7	08662-00154	7	1	GASKET, 10 MHZ	28480	08662-00154
ABMP8	08662-20310	9	1	CASTING, BOTTOM 350 MHZ	28480	08662-20310
ABMP9	08662-20021	9	1	CASTING, COVER 10 MHZ	28480	08662-20021
2234A TO 2405A						
ABMP10						
2408A AND ABOVE						
ABMP10	08662-20311	0	1	CASTING, BASE, 10 MHZ	28480	08662-20311
ABMP10	08662-20323	4	1		28480	08662-20323
ABMP11	08662-20037	7	1	LIMIT, CASTING	28480	08662-20037
ABMP12	08662-20284	6	1	CONTACT-FINGERS	28480	08662-20284
ABMP13	08662-00155	8	1	GASKET, 350 MHZ	28480	08662-00155
ABMP14	08662-20019	5	1	CASTING COVER, 350 MHZ	28480	08662-20019
ABMP15	2200-0509	2	9	SCREW-MACH 4-40 1.625-IN-LG PAN-HD-POZI	00000	ORDER BY DESCRIPTION
ABMP16	2190-0003	8		CONNECTOR	28480	2190-0003
ABMP17	08662-00023	9	1	PLATE, HF OSCILLATORS SUPPORT	28480	08662-00023
ABMP18	08662-20282	4	1	CONTACT-FINGERS	28480	08662-20282
ABMP19	08662-20283	5	1	CONTACT-FINGERS	28480	08662-20283
A8 MISCELLANEOUS PARTS						
	0360-0037	7	5	TERMINAL-SLDR LUG PL-MTG FOR-#6-SCR	28480	0360-0037
	0362-0227	1	3	CONNECTOR-SGL CONT SKT 1.14-MM-BSC-SZ	28480	0362-0227
	0890-0041	6		TUBING-HS .11-D/.08-RCVD .016-WALL PVC	00000	ORDER BY DESCRIPTION
	2190-0003	8	14	WASHER-LK HLCL NO. 4 .115-IN-ID	28480	2190-0003
	2190-0124	4		WASHER-LK INTL T NO. 10 .185-IN-ID	28480	2190-0124
	2200-0103	2		SCREW-MACH 4-40 .25-IN-LG PAN-HD-POZI	28480	2200-0103
	2200-0105	4		SCREW-MACH 4-40 .312-IN-LG PAN-HD-POZI	00000	ORDER BY DESCRIPTION
	2200-0111	2	1	SCREW-MACH 4-40 .5-IN-LG PAN-HD-POZI	00000	ORDER BY DESCRIPTION
	2950-0078	9		NUT-HEX-DBL-CHAM 10-32-THD .067-IN-THK	28480	2950-0078
	8160-0054	2		RFI ROUND STRIP CU SN-PL .07-IN-OD	28480	8160-0054

† Refer to Section 7 for update information.

* Factory Selected Component (Refer to Section 5.)

old

Table 6-3. Replaceable Parts

Reference Designation	HP Part Number	C D	Qty.	Description	Mfr. Code	Mfr. Part Number
A8A1						
2234A TO 2748A						
A8A1	08662-60001	9	1	VCO (NOT RECOMMENDED FOR FIELD REPAIR)	28480	08662-60001
2823A AND ABOVE						
A8A1	08662-60401	3	1	VCO (NOT RECOMMENDED FOR FIELD REPAIR)	28480	08662-60401
A8A1	08662-60083	7	1	RESTORED VCO ASSEMBLY	28480	08662-60083
A8A1MP1	08662-80081	7	1	FACTORY REPAIR LABEL	28480	08662-80081
A8A2						
2234A TO 2313A						
A8A2 ↑	08662-60001	9		VCO (NOT RECOMMENDED FOR FIELD REPAIR)	28480	08662-60001
2313A TO 2748A						
A8A2	08662-60317	0	1	VCO (NOT RECOMMENDED FOR FIELD REPAIR)	28480	08662-60317
2823A AND ABOVE						
A8A2	08662-60417	1	1	VCO (NOT RECOMMENDED FOR FIELD REPAIR)	28480	08662-60417
A8A2	08662-60083	7		RESTORED VCO ASSEMBLY	28480	08662-60083
A8A1MP1	08662-80081	7	1	FACTORY REPAIR LABEL	28480	08662-80081
A8A3						
2234A TO 2446A						
A8A3 ↑	10544B(003)	6	1	10MHZ REFERENCE OSCILLATOR NOT RECOMMENDED FOR FIELD REPAIR	28480	10544B(003)
2447A AND ABOVE						
A8A3	5081-8002	8	1	10MHZ REFERENCE OSCILLATOR (NOT RECOMMENDED FOR FIELD REPAIR)	28480	10811-60111
A8A3	08662-60085	8	1	RESTORED VCO ASSEMBLY	28480	08662-60085

old

Table 6-3. Replaceable Parts

Reference Designation	HP Part Number	C D	Qty.	Description	Mfr. Code	Mfr. Part Number
A11A2						
A11A2	08863-60343	3	1	FM VCO ASSEMBLY	28480	08863-60343
A11A2C1	0160-3877	5		CAPACITOR-FXD 100PF +-20% 200VDC CER	28480	0160-3877
A11A2C2	0160-2617	1		CAPACITOR-FXD 6.8UF+-10% 35VDC TA	25088	D6R8GS1B35K
A11A2C3	0160-2617	1		CAPACITOR-FXD 6.8UF+-10% 35VDC TA	25088	D6R8GS1B35K
A11A2C4	0160-0575	4		CAPACITOR-FXD .047UF +-20% 50VDC CER	28480	0160-0575
A11A2C5	0160-3879	7		CAPACITOR-FXD .01UF +-20% 100VDC CER	28480	0160-3879
A11A2C6	0160-3878	6		CAPACITOR-FXD 1000PF +-20% 100VDC CER	28480	0160-3878
A11A2C7	0160-0575	4		CAPACITOR-FXD .047UF +-20% 50VDC CER	28480	0160-0575
A11A2C8	0160-2687	7		CAPACITOR-FXD 10UF+-10% 25VDC TA	28480	0160-2687
A11A2C9	0160-2687	7		CAPACITOR-FXD 10UF+-10% 25VDC TA	28480	0160-2687
A11A2C10	0160-3878	6		CAPACITOR-FXD 1000PF +-20% 100VDC CER	28480	0160-3878
A11A2C11	0160-3878	6		CAPACITOR-FXD 1000PF +-20% 100VDC CER	28480	0160-3878
A11A2C12	0160-2617	1		CAPACITOR-FXD 6.8UF+-10% 35VDC TA	25088	D6R8GS1B35K
A11A2C13	0160-2257	3		CAPACITOR-FXD 10PF +-5% 500VDC CER 0+-60	28480	0160-2257
A11A2C14	0160-3879	7		CAPACITOR-FXD .01UF +-20% 100VDC CER	28480	0160-3879
A11A2C15	0160-4365	8		CAPACITOR-FXD 470PF +-5% 100VDC CER	28480	0160-4365
A11A2C16	0160-4548	9	1	CAPACITOR-FXD 82PF +-1% 50VDC PORC	28480	0160-4548
A11A2C17	0160-3431	7	1	CAPACITOR-FXD 8.8PF +-5PF 500VDC CER	28480	0160-3431
A11A2C18	0121-0493	3	1	CAPACITOR-V TRMR-AIR 1.7-11PF 175V	74970	187-0306-125
A11A2C19	0160-3877	5		CAPACITOR-FXD 100PF +-20% 200VDC CER	28480	0160-3877
A11A2C20	0160-3878	6		CAPACITOR-FXD 1000PF +-20% 100VDC CER	28480	0160-3878
A11A2C21	0160-3878	6		CAPACITOR-FXD 1000PF +-20% 100VDC CER	28480	0160-3878
A11A2C22	0160-3878	6		CAPACITOR-FXD 1000PF +-20% 100VDC CER	28480	0160-3878
A11A2C23	0160-3878	6		CAPACITOR-FXD 1000PF +-20% 100VDC CER	28480	0160-3878
A11A2C24	0160-4767	4		CAPACITOR-FXD 20PF +-5% 200VDC CER 0+-30	28480	0160-4767
A11A2C25	0160-3879	7		CAPACITOR-FXD .01UF +-20% 100VDC CER	28480	0160-3879
A11A2C26	0160-3877	5		CAPACITOR-FXD 100PF +-20% 200VDC CER	28480	0160-3877
A11A2C27	0160-4103	2		CAPACITOR-FXD 220PF +-5% 100VDC CER	72982	B121-M100-COG-221J
A11A2C28	0160-4767	4		CAPACITOR-FXD 20PF +-5% 200VDC CER 0+-30	28480	0160-4767
A11A2CR1	1901-0040	1		DIODE-SWITCHING 30V 50MA 2NS DO-35	28480	1901-0040
A11A2CR2	1901-0040	1		DIODE-SWITCHING 30V 50MA 2NS DO-35	28480	1901-0040
A11A2CR3	1901-0040	1		DIODE-SWITCHING 30V 50MA 2NS DO-35	28480	1901-0040
A11A2CR4	1901-0040	1		DIODE-SWITCHING 30V 50MA 2NS DO-35	28480	1901-0040
A11A2CR5	1901-0040	1		DIODE-SWITCHING 30V 50MA 2NS DO-35	28480	1901-0040
A11A2CR6	1901-0040	1		DIODE-SWITCHING 30V 50MA 2NS DO-35	28480	1901-0040
A11A2CR7	1901-0040	1		DIODE-SWITCHING 30V 50MA 2NS DO-35	28480	1901-0040
A11A2CR8	1901-0040	1		DIODE-SWITCHING 30V 50MA 2NS DO-35	28480	1901-0040
<i>221A TO 241A</i>						
A11A2CR9	0122-0065	7		DIODE-VVC 29PF 3%	28480	0122-0065
<i>241A AND ABOVE</i>						
A11A2CR9	0122-0162	5		DVVC 29PF 5.0CR	28480	0122-0162
A11A2CR10	1901-1034	5	1	DIODE-STABISTOR 80V DO-34	03508	MPD400
A11A2DS1	1890-0328	3		LED-LAMP LUM-INT=300UCD IF=50MA-MAX	28480	5092-4444
A11A2J1	1250-1220	0		CONNECTOR-RF SMC M PC 50-OHM	28480	1250-1220
	2190-0124	4		WASHER-LK INTL T NO. 10 .195-IN-ID	28480	2190-0124
	2950-0078	9		NUT-HEX-OBL-CHAM 10-32-THD .087-IN-THK	28480	2950-0078

† Refer to Section 7 for update information.

* Factory Selected Component (Refer to Section 5.)

old

Table 6-3. Replaceable Parts

Reference Designation	HP Part Number	C D	Qty.	Description	Mfr. Code	Mfr. Part Number
A11A2L1	9140-0142	B		INDUCTOR RF-CH-MLD 2.2UH 10% .105DX.26LG	28480	9140-0142
A11A2L2	9140-0142	B		INDUCTOR RF-CH-MLD 2.2UH 10% .105DX.26LG	28480	9140-0142
A11A2L3	08662-00163	B	1	INDUCTOR	28480	08662-00163
A11A2L4	9100-0346	0	1	INDUCTOR RF-CH-MLD 50NH 20% .105DX.26LG	28480	9100-0346
A11A2L5	9100-2252	1	2	INDUCTOR RF-CH-MLD 270NH 10% .105DX.26LG	28480	9100-2252
A11A2L6	9100-2252	1		INDUCTOR RF-CH-MLD 270NH 10% .105DX.26LG	28480	9100-2252
A11A2MP1	08663-00066	1	1	COVER-EXTRUSION A11-A2	28480	08663-00066
A11A2MP1	2380-0113	2		SCREW-MACH 6-32 .25-IN-LG PAN-HD-POZI	00000	ORDER BY DESCRIPTION
A11A2MP2	5001-0176	0		GROUND STRAP	28480	5001-0176
A11A2MP3	5001-0176	0		GROUND STRAP	28480	5001-0176
A11A2MP4	08662-00135	4	1	SHIELD-FM VCO	28480	08662-00135
A11A2Q1	1855-0235	7	2	TRANSISTOR J-FET N-CHAN D-MODE TC-52 SI	28480	1855-0235
A11A2Q2	1855-0235	7		TRANSISTOR J-FET N-CHAN D-MODE TC-52 SI	28480	1855-0235
A11A2Q3	1854-0404	0		TRANSISTOR NPN SI TC-18 PD=360MW	28480	1854-0404
A11A2Q4	1854-0404	0		TRANSISTOR NPN SI TC-18 PD=360MW	28480	1854-0404
A11A2Q5	1854-0404	0		TRANSISTOR NPN SI TC-18 PD=360MW	28480	1854-0404
A11A2Q6	1855-0020	B		TRANSISTOR J-FET N-CHAN D-MODE TC-18 SI	28480	1855-0020
A11A2Q7	1855-0020	B		TRANSISTOR J-FET N-CHAN D-MODE TC-18 SI	28480	1855-0020
A11A2R1	0699-7219	6		RESISTOR 196 1% .05W F TC=0+-100	24546	C3-1/8-TC-196R-F
A11A2R2	0699-7212	9		RESISTOR 100 1% .05W F TC=0+-100	24546	C3-1/8-TC-100R-F
A11A2R3	0699-7224	3		RESISTOR 316 1% .05W F TC=0+-100	24546	C3-1/8-TC-316R-F
A11A2R4*	0699-7254	9	3	RESISTOR 5.62K 1% .05W F TC=0+-100	24546	C3-1/8-T0-5621-F
A11A2R5	0699-7236	7		RESISTOR 1K 1% .05W F TC=0+-100	24546	C3-1/8-T0-1001-F
A11A2R6	0699-8827	4	4	RESISTOR 1M 1% .125W F TC=0+-100	28480	0699-8827
A11A2R7*	0699-7253	8	16	RESISTOR 5.11K 1% .05W F TC=0+-100	24546	C3-1/8-T0-5111-F
A11A2R8	0699-7257	2		RESISTOR 7.5K 1% .05W F TC=0+-100	24546	C3-1/8-T0-7501-F
A11A2R9	2100-2633	5		RESISTOR-TRMR 1K 10% C SIDE-ADJ 1-TRN	30983	ET50X102
A11A2R10	0699-8827	4		RESISTOR 1M 1% .125W F TC=0+-100	28480	0699-8827
A11A2R11	0699-7264	1		RESISTOR 14.7K 1% .05W F TC=0+-100	24546	C3-1/8-T0-1472-F
A11A2R12	0699-7263	0		RESISTOR 13.3K 1% .05W F TC=0+-100	24546	C3-1/8-T0-1332-F
A11A2R13	0699-0082	7		RESISTOR 464 1% .125W F TC=0+-100	24546	C4-1/8-T0-4640-F
A11A2R14	0699-0082	7		RESISTOR 464 1% .125W F TC=0+-100	24546	C4-1/8-T0-4640-F
A11A2R15	0699-7239	0		RESISTOR 1.33K 1% .05W F TC=0+-100	24546	C3-1/8-T0-1331-F
A11A2R16	0699-7254	9		RESISTOR 5.62K 1% .05W F TC=0+-100	24546	C3-1/8-T0-5621-F
A11A2R17	0699-7265	2		RESISTOR 16.2K 1% .05W F TC=0+-100	24546	C3-1/8-T0-1622-F
A11A2R18	2100-2574	3		RESISTOR-TRMR 500 10% C SIDE-ADJ 1-TRN	30983	ET50X501
A11A2R19	0699-7245	8		RESISTOR 2.37K 1% .05W F TC=0+-100	24546	C3-1/8-T0-2371-F
A11A2R20	0699-7236	7		RESISTOR 1K 1% .05W F TC=0+-100	24546	C3-1/8-T0-1001-F
A11A2R25	0699-7226	7		RESISTOR 464 1% .05W F TC=0+-100	24546	C3-1/8-T0-464R-F
A11A2R26	0699-7246	1	15	RESISTOR 3.16K 1% .05W F TC=0+-100	24546	C3-1/8-T0-3161-F
A11A2R27	0699-7204	9		RESISTOR 46.4 1% .05W F TC=0+-100	24546	C3-1/8-TC-46R4-F
A11A2R28	0699-7204	9		RESISTOR 46.4 1% .05W F TC=0+-100	24546	C3-1/8-TC-46R4-F
A11A2R29*	0699-0085	0	10	RESISTOR 2.61K 1% .125W F TC=0+-100	24546	C4-1/8-T0-2611-F

† Refer to Section 7 for update information.

* Factory Selected Component (Refer to Section 5.)

Table 4-3. Replaceable Parts

old

A12A2

A12A2	08663-80303	5	1	UHF MODULATOR ASSEMBLY	28480	08663-80303
A12A2C1	0160-4779	8	3	CAPACITOR-FXD 10PF +-2% 200VDC CER 0+-30	28480	0160-4779
A12A2C2	0160-3878	6		CAPACITOR-FXD 1000PF +-20% 100VDC CER	28480	0160-3878
A12A2C3	0160-3878	6		CAPACITOR-FXD 1000PF +-20% 100VDC CER	28480	0160-3878
A12A2C4	0160-3878	6		CAPACITOR-FXD 1000PF +-20% 100VDC CER	28480	0160-3878
A12A2C5	0160-3878	6		CAPACITOR-FXD 1000PF +-20% 100VDC CER	28480	0160-3878
A12A2C6	0160-3878	6		CAPACITOR-FXD 1000PF +-20% 100VDC CER	28480	0160-3878
A12A2C7	0160-4768	5	5	CAPACITOR-FXD 470PF +-5% 100VDC CER	28480	0160-4768
A12A2C8	0160-4084	8		CAPACITOR-FXD .1UF +-20% 50VDC CER	28480	0160-4084
A12A2C9	0160-4084	8		CAPACITOR-FXD .1UF +-20% 50VDC CER	28480	0160-4084
A12A2C10	0160-4084	8		CAPACITOR-FXD .1UF +-20% 50VDC CER	28480	0160-4084
A12A2C11	0160-1746	5		CAPACITOR-FXD 15UF+-10% 20VDC TA	56289	150D156X9020B2
A12A2C12	9135-0002	8		FILTER-LOW PASS SOLDER-TERMS	33095	51-744-018
A12A2C13	0160-2619	3		CAPACITOR-FXD 22UF+-10% 15VDC TA	25088	D22GS1B15K
223A TO 2604A						
A12A2C14	0160-3879	7		CAPACITOR-FXD .01UF +-20% 100VDC CER	28480	0160-3879
2615A AND ABOVE						
A12A2C14	0160-3879	7		CAPACITOR-FXD .01UF +-20% 100VDC CER	28480	0160-3879
A12A2C15	0160-4518	3		CAPACITOR-FXD 3.9PF +-5PF 200VDC CER	28480	0160-4518
A12A2C16	0160-4518	3		CAPACITOR-FXD 3.9PF +-5PF 200VDC CER	28480	0160-4518
A12A2C17	0160-4389	6		CAPACITOR-FXD 100PF +-5PF 200VDC CER	28480	0160-4389
A12A2C18	0160-4768	5		CAPACITOR-FXD 470PF +-5% 100VDC CER	28480	0160-4768
A12A2C19	0160-4768	5		CAPACITOR-FXD 470PF +-5% 100VDC CER	28480	0160-4768
A12A2C20	0160-6727	0		CAPACITOR-FXD .033UF +-10% 50VDC CER	12473	RALEIGH
A12A2C21	0160-3588	1		CAPACITOR-FXD 2.7PF +-5% 200VDC CER	51842	100-100-NP0-27J
A12A2C22	0160-4765	2	2	CAPACITOR-FXD 36PF +-5% 200VDC CER 0+-30	28480	0160-4765
A12A2C23	0160-4494	4		CAPACITOR-FXD 39PF +-5% 200VDC CER 0+-30	28480	0160-4494
A12A2C24	0160-4524	1		CAPACITOR-FXD 24PF +-5% 200VDC CER 0+-30	51842	200-200-NP0-240J
A12A2C25	0160-4765	2		CAPACITOR-FXD 36PF +-5% 200VDC CER 0+-30	28480	0160-4765
A12A2C26	0160-3588	1		CAPACITOR-FXD 2.7PF +-5% 200VDC CER	51842	100-100-NP0-27J
A12A2C27	0160-4768	5		CAPACITOR-FXD 470PF +-5% 100VDC CER	28480	0160-4768
A12A2C28	0160-3879	7		CAPACITOR-FXD .01UF +-20% 100VDC CER	28480	0160-3879
A12A2C29	0121-0449	9		CAPACITOR-V TRMR-CER 3.5-10PF 63V PC-MTG	28480	0121-0449
A12A2C30	0121-0061	1	4	CAPACITOR-V TRMR-CER 5.5-18PF 350V	52763	304322 5.5/18PF NPO
A12A2C31	0121-0046	2		CAPACITOR-V TRMR-CER 9-35PF 200V PC-MTG	52763	304322 9/35PF N650
A12A2C32	0121-0046	2		CAPACITOR-V TRMR-CER 9-35PF 200V PC-MTG	52763	304322 9/35PF N650
A12A2C33	0160-4779	8		CAPACITOR-FXD 10PF +-2% 200VDC CER 0+-30	28480	0160-4779
A12A2C34	0121-0061	1		CAPACITOR-V TRMR-CER 5.5-18PF 350V	52763	304322 5.5/18PF NPO
A12A2C35	0160-4524	1		CAPACITOR-FXD 24PF +-5% 200VDC CER 0+-30	51842	200-200-NP0-240J
A12A2C36	0160-4387	4		CAPACITOR-FXD 47PF +-5% 200VDC CER 0+-30	28480	0160-4387
A12A2C37	0160-4779	8		CAPACITOR-FXD 10PF +-2% 200VDC CER 0+-30	28480	0160-4779
A12A2C38	0160-4492	2		CAPACITOR-FXD 18PF +-5% 200VDC CER 0+-30	28480	0160-4492
A12A2C39	0160-4524	1		CAPACITOR-FXD 24PF +-5% 200VDC CER 0+-30	51842	200-200-NP0-240J
A12A2C40	0160-4388	3		CAPACITOR-FXD 33PF +-5% 200VDC CER 0+-30	28480	0160-4388
A12A2C41	0160-4387	4		CAPACITOR-FXD 47PF +-5% 200VDC CER 0+-30	28480	0160-4387
A12A2C42	0160-4492	2		CAPACITOR-FXD 18PF +-5% 200VDC CER 0+-30	28480	0160-4492
A12A2C43	0160-4388	3		CAPACITOR-FXD 33PF +-5% 200VDC CER 0+-30	28480	0160-4388
A12A2C44	0121-0449	9		CAPACITOR-V TRMR-CER 3.5-10PF 63V PC-MTG	28480	0121-0449
A12A2C45	0121-0061	1		CAPACITOR-V TRMR-CER 5.5-18PF 350V	52763	304322 5.5/18PF NPO
A12A2C46	0121-0046	2		CAPACITOR-V TRMR-CER 9-35PF 200V PC-MTG	52763	304322 9/35PF N650

old

Table 6-3. Replaceable Parts

Reference Designation	HP Part Number	C D	Qty.	Description	Mfr. Code	Mfr. Part Number
A12A2C47	0121-0061	1		CAPACITOR-V TRMR-CER 5.5-10PF 350V	52763	304322 5.5/10PF NPO
A12A2C48	0121-0046	2		CAPACITOR-V TRMR-CER 5-35PF 200V PC-MTG	52763	304322 5/35PF N550
A12A2C49	0160-4768	5		CAPACITOR-FXD 470PF +-5% 100VDC CER	26480	0160-4768
A12A2C50	0160-3569	1		CAPACITOR-FXD 2.7PF +-5% 200VDC CER	51642	100-100-NPQ-279J
A12A2C52	0160-0680	4	1	CAPACITOR-FXD 1PF +-5PF 100VDC CER	26480	0160-0680
A12A2CR1	1901-1096	9		DIODE-PIN	26480	1901-1096
A12A2CR2	1901-1096	9		DIODE-PIN	26480	1901-1096
A12A2CR3	1901-1096	9		DIODE-PIN	26480	1901-1096
A12A2CR4	1901-1096	9		DIODE-PIN	26480	1901-1096
A12A2CR5	1901-1096	9		DIODE-PIN	26480	1901-1096
A12A2CR6	1901-1096	9		DIODE-PIN	26480	1901-1096
A12A2CR7	1901-1096	9		DIODE-PIN	26480	1901-1096
A12A2CR8	1901-1096	9		DIODE-PIN	26480	1901-1096
A12A2CR9	1901-1096	9		DIODE-PIN	26480	1901-1096
A12A2CR10	1901-1096	9		DIODE-PIN	26480	1901-1096
A12A2CR11	1901-1096	9		DIODE-PIN	26480	1901-1096
A12A2CR12	1901-1096	9		DIODE-PIN	26480	1901-1096
A12A2CR13	1901-1096	9		DIODE-PIN	26480	1901-1096
A12A2CR14	1901-1096	9		DIODE-PIN	26480	1901-1096
A12A2J1	1250-1220	0		CONNECTOR-RF SMC M PC 50-OHM	26480	1250-1220
A12A2J2	1250-1220	0		CONNECTOR-RF SMC M PC 50-OHM	26480	1250-1220
A12A2L1	9100-3922	4		INDUCTOR-FIXED 120-1300 HZ	26480	9100-3922
A12A2L2	9100-3922	4		INDUCTOR-FIXED 120-1300 HZ	26480	9100-3922
A12A2L3	9100-3922	4		INDUCTOR-FIXED 120-1300 HZ	26480	9100-3922
A12A2L4	9100-3922	4		INDUCTOR-FIXED 120-1300 HZ	26480	9100-3922
A12A2L5	9100-3922	4		INDUCTOR-FIXED 120-1300 HZ	26480	9100-3922
A12A2L6	9100-3922	4		INDUCTOR-FIXED 120-1300 HZ	26480	9100-3922
A12A2L7	9100-3922	4		INDUCTOR-FIXED 120-1300 HZ	26480	9100-3922
A12A2L8	9100-3922	4		INDUCTOR-FIXED 120-1300 HZ	26480	9100-3922
A12A2L9	9100-3922	4		INDUCTOR-FIXED 120-1300 HZ	26480	9100-3922
A12A2L10	9135-0080	2	4	INDUCTOR RF-CH-MLD 27NH 5% .102DX.26LG	26480	9135-0080
<i>2234A TO 2604A</i>						
A12A2L11*	9135-0071	1	1	INDUCTOR RF-CH-MLD 62NH 5% .102DX.26LG	26480	9135-0071
<i>2615A AND ABOVE</i>						
A12A2L11*	9135-0072	2	1	INDUCTOR RF-CH-MLD 56NH 5% .102DX.26LG	26480	9135-0072
A12A2L12	9100-3922	4		INDUCTOR-FIXED 120-1300 HZ	26480	9100-3922
A12A2L13	9100-3922	4		INDUCTOR-FIXED 120-1300 HZ	26480	9100-3922
A12A2L14	9100-3922	4		INDUCTOR-FIXED 120-1300 HZ	26480	9100-3922
A12A2L15	9100-1621	6	2	INDUCTOR RF-CH-MLD 18UH 10% .166DX.365LG	26480	9100-1621
A12A2L16	9100-1630	7		INDUCTOR RF-CH-MLD 51UH 5% .166DX.365LG	26480	9100-1630
A12A2L17	9100-2248	5	3	INDUCTOR RF-CH-MLD 120NH 10% .105DX.26LG	26480	9100-2248
A12A2L18	9100-3922	4		INDUCTOR-FIXED 120-1300 HZ	26480	9100-3922
A12A2L19	9100-2248	5		INDUCTOR RF-CH-MLD 120NH 10% .105DX.26LG	26480	9100-2248
A12A2L20	9100-3922	4		INDUCTOR-FIXED 120-1300 HZ	26480	9100-3922
A12A2L21	9100-3922	4		INDUCTOR-FIXED 120-1300 HZ	26480	9100-3922
A12A2L22	9135-0070	0		INDUCTOR RF-CH-MLD 24NH 7% .102DX.26LG	26480	9135-0070
A12A2L23	9135-0077	7		INDUCTOR RF-CH-MLD 36NH 6% .102DX.26LG	26480	9135-0077
A12A2L24	9135-0072	2		INDUCTOR RF-CH-MLD 56NH 5% .102DX.26LG	26480	9135-0072
A12A2L25	9135-0070	0		INDUCTOR RF-CH-MLD 24NH 7% .102DX.26LG	26480	9135-0070
A12A2L26	9135-0080	2		INDUCTOR RF-CH-MLD 27NH 5% .102DX.26LG	26480	9135-0080

† Refer to Section 7 for update information.

* Factory Selected Component (Refer to Section 5.)

Table 6-3. Replaceable Parts

Reference Designation	HP Part Number	C D	Qty.	Description	Mfr. Code	Mfr. Part Number
A12A4						
A12A4	08663-60307	9	1	DOUBLER #1 ASSEMBLY	28480	08663-60307
	08663-60106	6	1	RESTORED DOUBLER #1 ASSEMBLY	28480	08663-60106
A12A4C1	0160-3875	3		CAPACITOR-FXD 22PF +-5% 200VDC CER 0+-30	28480	0160-3875
A12A4C2	0160-3876	4		CAPACITOR-FXD 47PF +-20% 200VDC CER	28480	0160-3876
A12A4C3	0160-3876	4		CAPACITOR-FXD 47PF +-20% 200VDC CER	28480	0160-3876
A12A4C4	0160-3876	4		CAPACITOR-FXD 47PF +-20% 200VDC CER	28480	0160-3876
A12A4C5	0160-3876	4		CAPACITOR-FXD 47PF +-20% 200VDC CER	28480	0160-3876
A12A4C6	0160-3876	4		CAPACITOR-FXD 47PF +-20% 200VDC CER	28480	0160-3876
A12A4C7	0160-3877	5		CAPACITOR-FXD 100PF +-20% 200VDC CER	28480	0160-3877
A12A4C8	0160-3876	4		CAPACITOR-FXD 47PF +-20% 200VDC CER	28480	0160-3876
A12A4C9	0160-3876	4		CAPACITOR-FXD 47PF +-20% 200VDC CER	28480	0160-3876
A12A4C10	0160-3876	4		CAPACITOR-FXD 47PF +-20% 200VDC CER	28480	0160-3876
A12A4C11	0160-3876	4		CAPACITOR-FXD 47PF +-20% 200VDC CER	28480	0160-3876
A12A4C12	0160-3876	4		CAPACITOR-FXD 47PF +-20% 200VDC CER	28480	0160-3876
A12A4C13	0160-3876	4		CAPACITOR-FXD 47PF +-20% 200VDC CER	28480	0160-3876
A12A4C14	0160-3876	4		CAPACITOR-FXD 47PF +-20% 200VDC CER	28480	0160-3876
A12A4C15	0160-3876	4		CAPACITOR-FXD 47PF +-20% 200VDC CER	28480	0160-3876
A12A4C16	0160-3876	4		CAPACITOR-FXD 47PF +-20% 200VDC CER	28480	0160-3876
A12A4C17	0180-0228	6		CAPACITOR-FXD 22UF+-10% 15VDC TA	56289	150D226X9015B2
A12A4C18	0160-3877	5		CAPACITOR-FXD 100PF +-20% 200VDC CER	28480	0160-3877
A12A4C23	0180-0116	1		CAPACITOR-FXD 8.8UF+-10% 35VDC TA	56289	150D885X9035B2
A12A4C24	0160-1735	2	2	CAPACITOR-FXD .22UF+-10% 35VDC TA	56289	150D224X9035A2
A12A4C25	0160-2055	9		CAPACITOR-FXD .01UF +-80-20% 100VDC CER	28480	0160-2055
A12A4C27	0180-1748	5		CAPACITOR-FXD 15UF+-10% 20VDC TA	56289	150D156X9020B2
A12A4C28	0180-3877	5		CAPACITOR-FXD 100PF +-20% 200VDC CER	28480	0160-3877
A12A4C29	0180-0228	6		CAPACITOR-FXD 22UF+-10% 15VDC TA	56289	150D226X9015B2
A12A4C31	0180-0228	7		CAPACITOR-FXD 33UF+-10% 10VDC TA	56289	150D336X9010B2
A12A4C32	0180-0197	8		CAPACITOR-FXD 2.2UF+-10% 20VDC TA	56289	150D225X9020A2
A12A4C33	0180-0116	1		CAPACITOR-FXD 8.8UF+-10% 35VDC TA	56289	150D885X9035B2
A12A4C35	0180-1735	2		CAPACITOR-FXD .22UF+-10% 35VDC TA	56289	150D224X9035A2
A12A4C36	0160-3877	5		CAPACITOR-FXD 100PF +-20% 200VDC CER	28480	0160-3877
A12A4C37	0160-2055	9		CAPACITOR-FXD .01UF +-80-20% 100VDC CER	28480	0160-2055
A12A4C38	0160-0127	2		CAPACITOR-FXD 1UF +-20% 25VDC CER	28480	0160-0127
A12A4CR1	1901-0050	3		DIODE-SWITCHING 80V 200MA 2NS DO-35	28480	1901-0050
A12A4CR2	1901-0535	9	1	DIODE-SM SIG SCHOTTKY	28480	1901-0535
A12A4CR4	1901-0050	3		DIODE-SWITCHING 80V 200MA 2NS DO-35	28480	1901-0050
	2190-0124	4		WASHER-LK INTL T NO. 10 .195-IN-ID	28480	2190-0124
A12A4L1	9100-3922	4		INDUCTOR-FIXED 120-1300 HZ	28480	9100-3922
A12A4L2	9100-3922	4		INDUCTOR-FIXED 120-1300 HZ	28480	9100-3922
A12A4L3	9100-3922	4		INDUCTOR-FIXED 120-1300 HZ	28480	9100-3922
A12A4L4	9100-3922	4		INDUCTOR-FIXED 120-1300 HZ	28480	9100-3922
A12A4L5	9100-1636	3	1	INDUCTOR RF-CH-MLD 110UH 5% .166DX.385LG	28480	9100-1636
A12A4L6	9100-3922	4		INDUCTOR-FIXED 120-1300 HZ	28480	9100-3922
A12A4MP1	08663-00054	7	1	COVER, 2/3 END #1	28480	08663-00054
	2380-0113	2		SCREW-MACH 6-32 .25-IN-LG PAN-HD-POZI	00000	ORDER BY DESCRIPTION
	2950-0078	9		NUT-HEX-DBL-CHAM 10-32-THD .067-IN-THK	28480	2950-0078
A12A4MP2	5001-0176	0		GROUND STRAP	28480	5001-0176
	2950-0078	9		NUT-HEX-DBL-CHAM 10-32-THD .067-IN-THK	28480	2950-0078

† Refer to Section 7 for update information.

* Factory Selected Component (Refer to Section 5.)

Table 6-3. Replaceable Parts

old

Reference Designation	HP Part Number	C D	Qty.	Description	Mfr. Code	Mfr. Part Number
A12A4MP3	5001-0178	0	2	GROUND STRAP	28480	5001-0178
A12A4MP4	08662-20285	7		CONTACT-FINGER	28480	08662-20285
A12A4MP5	09662-20285	7		CONTACT-FINGER	28480	08662-20285
A12A4Q1	1853-0020	4		TRANSISTOR PNP SI PD=300MW FT=150MHZ	28480	1853-0020
A12A4Q2	1853-0020	4		TRANSISTOR PNP SI PD=300MW FT=150MHZ	28480	1853-0020
A12A4Q3	1854-0071	7		TRANSISTOR NPN SI PD=300MW FT=200MHZ	28480	1854-0071
A12A4Q4	1854-0071	7		TRANSISTOR NPN SI PD=300MW FT=200MHZ	28480	1854-0071
A12A4Q5	1854-0071	7		TRANSISTOR NPN SI PD=300MW FT=200MHZ	28480	1854-0071
A12A4Q6	1854-0071	7		TRANSISTOR NPN SI PD=300MW FT=200MHZ	28480	1854-0071
A12A4Q7	1853-0020	4		TRANSISTOR PNP SI PD=300MW FT=150MHZ	28480	1853-0020
A12A4R1	0698-7212	9		RESISTOR 100 1% .05W F TC=0+-100	24546	C3-1/8-TC-100R-F
A12A4R2	0698-7212	9		RESISTOR 100 1% .05W F TC=0+-100	24546	C3-1/8-TC-100R-F
A12A4R3	0698-7212	9		RESISTOR 100 1% .05W F TC=0+-100	24546	C3-1/8-TC-100R-F
A12A4R4	0698-7212	9		RESISTOR 100 1% .05W F TC=0+-100	24546	C3-1/8-TC-100R-F
A12A4R5	0698-7212	9		RESISTOR 100 1% .05W F TC=0+-100	24546	C3-1/8-TC-100R-F
A12A4R6	0698-7212	9		RESISTOR 100 1% .05W F TC=0+-100	24546	C3-1/8-TC-100R-F
A12A4R7	0698-7212	9		RESISTOR 100 1% .05W F TC=0+-100	24546	C3-1/8-TC-100R-F
A12A4R8	0698-7212	9		RESISTOR 100 1% .05W F TC=0+-100	24546	C3-1/8-TC-100R-F
A12A4R9	0698-7212	9		RESISTOR 100 1% .05W F TC=0+-100	24546	C3-1/8-TC-100R-F
A12A4R10	0698-7212	9		RESISTOR 100 1% .05W F TC=0+-100	24546	C3-1/8-TC-100R-F
A12A4R11	0698-7212	9		RESISTOR 100 1% .05W F TC=0+-100	24546	C3-1/8-TC-100R-F
A12A4R12	0757-0440	7		RESISTOR 7.5K 1% .125W F TC=0+-100	24546	C4-1/8-TC-7501-F
A12A4R13	0757-0401	0		RESISTOR 100 1% .125W F TC=0+-100	24546	C4-1/8-TC-101-F
A12A4R14	2100-3122	9	1	RESISTOR-TRMR 100 10% C SIDE-ADJ 17-TRN	02111	43P101
A12A4R15	0698-0082	7		RESISTOR 464 1% .125W F TC=0+-100	24546	C4-1/8-TC-4640-F
A12A4R16	0757-0440	7		RESISTOR 7.5K 1% .125W F TC=0+-100	24546	C4-1/8-TC-7501-F
A12A4R17	0757-0401	0		RESISTOR 100 1% .125W F TC=0+-100	24546	C4-1/8-TC-101-F
A12A4R18	0757-0317	7		RESISTOR 1.33K 1% .125W F TC=0+-100	24546	C4-1/8-TC-1331-F
A12A4R19	0757-0416	7		RESISTOR 511 1% .125W F TC=0+-100	24546	C4-1/8-TC-511R-F
A12A4R20	0757-0420	3		RESISTOR 750 1% .125W F TC=0+-100	24546	C4-1/8-TC-751-F
A12A4R21	0757-0280	3		RESISTOR 1K 1% .125W F TC=0+-100	24546	C4-1/8-TC-1001-F
A12A4R22	0698-3150	6		RESISTOR 2.37K 1% .125W F TC=0+-100	24546	C4-1/8-TC-2371-F
A12A4R23	2100-3095	5	1	RESISTOR-TRMR 200 10% C SIDE-ADJ 17-TRN	02111	43P201
A12A4R24	0757-0438	3		RESISTOR 5.11K 1% .125W F TC=0+-100	24546	C4-1/8-TC-5111-F
A12A4R25	0757-0438	3		RESISTOR 5.11K 1% .125W F TC=0+-100	24546	C4-1/8-TC-5111-F
A12A4R26	0757-0420	3		RESISTOR 750 1% .125W F TC=0+-100	24546	C4-1/8-TC-751-F
A12A4R27	0698-3284	3	1	RESISTOR 11.8K 1% .125W F TC=0+-100	24546	C4-1/8-TC-1182-F
A12A4R28	0698-3158	4		RESISTOR 23.7K 1% .125W F TC=0+-100	24546	C4-1/8-TC-2372-F
A12A4R29	2100-3096	6	1	RESISTOR-TRMR 50K 10% C TOP-ADJ 17-TRN	32997	3292W-1-503
A12A4R30	0757-0443	0		RESISTOR 11K 1% .125W F TC=0+-100	24546	C4-1/8-TC-1102-F
A12A4R31	0757-0280	3		RESISTOR 1K 1% .125W F TC=0+-100	24546	C4-1/8-TC-1001-F
A12A4R32	0698-3151	7		RESISTOR 2.87K 1% .125W F TC=0+-100	24546	C4-1/8-TC-2871-F
A12A4R33	0698-0084	9		RESISTOR 2.15K 1% .125W F TC=0+-100	24546	C4-1/8-TC-2151-F
A12A4R34	0757-0401	0		RESISTOR 100 1% .125W F TC=0+-100	24546	C4-1/8-TC-101-F
A12A4R35	0698-3102	9	1	RESISTOR 237 1% .5W F TC=0+-100	28480	0698-3102
A12A4R36	0757-0416	7		RESISTOR 511 1% .125W F TC=0+-100	24546	C4-1/8-TC-511R-F
A12A4R37	0757-0428	1		RESISTOR 1.62K 1% .125W F TC=0+-100	24546	C4-1/8-TC-1621-F
A12A4R38	0757-0420	3		RESISTOR 750 1% .125W F TC=0+-100	24546	C4-1/8-TC-751-F
A12A4R39	0757-0458	7		RESISTOR 51.1K 1% .125W F TC=0+-100	24546	C4-1/8-TC-5112-F
A12A4R40	2100-3678	0	1	RESISTOR-TRMR 500K 10% C TOP-ADJ 17-TRN	28480	2100-3678

† Refer to Section 7 for update information.

* Factory Selected Component (Refer to Section 5.)

Table 6-3. Replaceable Parts

Reference Designation	HP Part Number	C D	Qty.	Description	Mfr. Code	Mfr. Part Number
A12A4R41	0757-0458	7		RESISTOR 51.1K 1% .125W F TC=0+-100	24546	C4-1/8-T0-5112-F
A12A4R42	0757-0401	0		RESISTOR 100 1% .125W F TC=0+-100	24546	C4-1/8-T0-101-F
2234A to 2748A A12A4R43	0757-0290	5		RESISTOR 8.19K 1% .125W F TC=0+-100	18701	MF4C1/8-T0-8191-F
2823A and above A12A4R43	0698-3154	0		RESISTOR 4.22k 1% .125W F TC=0+-100	24546	C4-1/8-T0/4221-F
A12A4R44	0757-0401	0		RESISTOR 100 1% .125W F TC=0+-100	24546	C4-1/8-T0-101-F
A12A4R45	0757-0417	8		RESISTOR 562 1% .125W F TC=0+-100	24546	C4-1/8-T0-562R-F
A12A4R46	0757-0817	2		RESISTOR 750 1% .5W F TC=0+-100	28480	0757-0817
A12A4R47	0698-0084	9		RESISTOR 2.15K 1% .125W F TC=0+-100	24546	C4-1/8-T0-2151-F
A12A4R48	0757-0280	3		RESISTOR 1K 1% .125W F TC=0+-100	24546	C4-1/8-T0-1001-F
A12A4R49	0698-3151	7		RESISTOR 2.87K 1% .125W F TC=0+-100	24546	C4-1/8-T0-2871-F
A12A4R50	0698-0084	9		RESISTOR 2.15K 1% .125W F TC=0+-100	24546	C4-1/8-T0-2151-F
A12A4R51	0757-0799	9	1	RESISTOR 121 1% .5W F TC=0+-100	28480	0757-0799
A12A4R53	0757-0467	8		RESISTOR 121K 1% .125W F TC=0+-100	24546	C4-1/8-T0-1213-F
A12A4R54	0757-0441	8		RESISTOR 8.25K 1% .125W F TC=0+-100	24546	C4-1/8-T0-8251-F
A12A4R56	2100-3109	2		RESISTOR-TRMR 2K 10% C SIDE-ADJ 17-TRN	02111	43P202
A12A4R57	0757-0279	0		RESISTOR 3.18K 1% .125W F TC=0+-100	24546	C4-1/8-T0-3181-F
A12A4R58	2100-3103	6	1	RESISTOR-TRMR 10K 10% C SIDE-ADJ 17-TRN	02111	43P103
A12A4R59	0757-0468	7		RESISTOR 110K 1% .125W F TC=0+-100	24546	C4-1/8-T0-1103-F
A12A4R60	0698-3454	3		RESISTOR 215K 1% .125W F TC=0+-100	24546	C4-1/8-T0-2153-F
A12A4R61	0698-0084	9		RESISTOR 2.15K 1% .125W F TC=0+-100	24546	C4-1/8-T0-2151-F
A12A4R62	0757-0440	7		RESISTOR 7.5K 1% .125W F TC=0+-100	24546	C4-1/8-T0-7501-F
A12A4TP1	1251-0600	0		CONNECTOR-SGL CONT PIN 1.14-MM-BSC-SZ SQ	28480	1251-0600
A12A4TP2	1251-0600	0		CONNECTOR-SGL CONT PIN 1.14-MM-BSC-SZ SQ	28480	1251-0600
A12A4TP3	1251-0600	0		CONNECTOR-SGL CONT PIN 1.14-MM-BSC-SZ SQ	28480	1251-0600
A12A4TP4	1251-0600	0		CONNECTOR-SGL CONT PIN 1.14-MM-BSC-SZ SQ	28480	1251-0600
A12A4TP5	1251-0600	0		CONNECTOR-SGL CONT PIN 1.14-MM-BSC-SZ SQ	28480	1251-0600
A12A4TP6	1251-0600	0		CONNECTOR-SGL CONT PIN 1.14-MM-BSC-SZ SQ	28480	1251-0600
A12A4TP7	1251-0600	0		CONNECTOR-SGL CONT PIN 1.14-MM-BSC-SZ SQ	28480	1251-0600
A12A4TP8	1251-0600	0		CONNECTOR-SGL CONT PIN 1.14-MM-BSC-SZ SQ	28480	1251-0600
A12A4TP9	1251-0600	0		CONNECTOR-SGL CONT PIN 1.14-MM-BSC-SZ SQ	28480	1251-0600
A12A4TP10	1251-0600	0		CONNECTOR-SGL CONT PIN 1.14-MM-BSC-SZ SQ	28480	1251-0600
A12A4U1	1826-0547	3		IC OP AMP LOW-BIAS-H-IMPD DUAL 8-DIP-P	01295	TL072ACP
A12A4U2	08662-87009	1	1	X2 FILTER NOT RECOMMENDED FOR FIELD REPLACEMENT	28480	08662-87009
A12A4U3	08662-87010	4	1	FILTER MOD NOT RECOMMENDED FOR FIELD REPLACEMENT	28480	08662-87010
A12A4U4	1816-1008	2	1	IC TTL S 4096 (4K) PROM 75-NS 3-S	01295	T8P28S42J
A12A4U5	1200-0639	8	1	SOCKET-IC 20-CONT DIP DIP-SLDR	28480	1200-0639
A12A4U5	1826-0921	7		D/A 10-BIT 16-CBRZ/SDR CMOS	28480	1826-0921
A12A4VR1	1902-3193	3		DIODE-ZNR 13.3V 5% DO-35 PD=.4W	28480	1902-3193
A12A4VR2	1902-3193	3		DIODE-ZNR 13.3V 5% DO-35 PD=.4W	28480	1902-3193
A12A4VR3	1902-3082	9		DIODE-ZNR 4.64V 5% DO-35 PD=.4W	28480	1902-3082
A12A4W1	08662-80048	4	1	CABLE ASSEMBLY #88	28480	08662-80048

old

Table 6-3. Replaceable Parts

Reference Designation	HP Part Number	C D	Qty.	Description	Mfr. Code	Mfr. Part Number
A12A5						
A12A5	09863-60308	0	1	LF DOWN CONVERTER	28480	09863-60308
A12A5C1	0160-0571	0		CAPACITOR-FXD 470PF +-20% 100VDC CER	28480	0160-0571
A12A5C2	0180-2617	1		CAPACITOR-FXD 6.8UF+-10% 35VDC TA	25088	D6R9G31B35K
A12A5C3	0160-0571	0		CAPACITOR-FXD 470PF +-20% 100VDC CER	28480	0160-0571
A12A5C4	0160-4389	6		CAPACITOR-FXD 100PF +-5PF 200VDC CER	28480	0160-4389
A12A5C5	0160-0571	0		CAPACITOR-FXD 470PF +-20% 100VDC CER	28480	0160-0571
A12A5C6	0180-2617	1		CAPACITOR-FXD 6.8UF+-10% 35VDC TA	25088	D6R9G31B35K
A12A5C7	0180-3879	7		CAPACITOR-FXD .01UF +-20% 100VDC CER	28480	0180-3879
A12A5C8	0160-4494	4		CAPACITOR-FXD 39PF +-5% 200VDC CER 0+-30	28480	0160-4494
A12A5C9	0160-4389	6		CAPACITOR-FXD 100PF +-5PF 200VDC CER	28480	0160-4389
A12A5C10	0160-0571	0		CAPACITOR-FXD 470PF +-20% 100VDC CER	28480	0160-0571
A12A5C12	0160-4389	6		CAPACITOR-FXD 100PF +-5PF 200VDC CER	28480	0160-4389
A12A5C13	0180-2617	1		CAPACITOR-FXD 6.8UF+-10% 35VDC TA	25088	D6R9G31B35K
A12A5C14	0160-4389	6		CAPACITOR-FXD 100PF +-5PF 200VDC CER	28480	0160-4389
A12A5C15	0180-2661	6		CAPACITOR-FXD 1UF+-10% 50VDC TA	25088	D1R0G31A50K
A12A5C16	0121-0451	3	1	CAPACITOR-V TRMR-AIR 1.7-11PF 175V	74970	197-0108-028
A12A5C17	0160-4389	6		CAPACITOR-FXD 100PF +-5PF 200VDC CER	28480	0160-4389
A12A5C18	0160-3879	7		CAPACITOR-FXD .01UF +-20% 100VDC CER	28480	0160-3879
A12A5C19	0160-4389	6		CAPACITOR-FXD 100PF +-5PF 200VDC CER	28480	0160-4389
A12A5C20	0160-3879	7		CAPACITOR-FXD .01UF +-20% 100VDC CER	28480	0160-3879
A12A5C21	0160-0571	0		CAPACITOR-FXD 470PF +-20% 100VDC CER	28480	0160-0571
A12A5C22	0180-2617	1		CAPACITOR-FXD 6.8UF+-10% 35VDC TA	25088	D6R9G31B35K
A12A5C23	0160-0571	0		CAPACITOR-FXD 470PF +-20% 100VDC CER	28480	0160-0571
A12A5C24	0160-4382	9		CAPACITOR-FXD 3.3PF +-25PF 200VDC CER	28480	0160-4382
A12A5C25	0160-4389	6		CAPACITOR-FXD 100PF +-5PF 200VDC CER	28480	0160-4389
A12A5C26	0160-4897	1	2	CAPACITOR-FXD 4.7PF +-1PF 200VDC CER	28480	0160-4897
A12A5C27	0160-4383	0		CAPACITOR-FXD 6.8PF +-5PF 200VDC CER	20932	5024E0200RD688D
A12A5C28	0160-4895	7	1	CAPACITOR-FXD 8.2PF +-2% 200VDC CER	28480	0160-4895
A12A5C29	0160-3874	2		CAPACITOR-FXD 10PF +-5PF 200VDC CER	28480	0160-3874
A12A5C30	0160-4897	1		CAPACITOR-FXD 4.7PF +-1PF 200VDC CER	28480	0160-4897
A12A5C31	0160-4383	0		CAPACITOR-FXD 6.8PF +-5PF 200VDC CER	20932	5024E0200RD688D
A12A5C32	0160-4490	0		CAPACITOR-FXD 1.8PF +-25PF 200VDC CER	28480	0160-4490
A12A5CR1	1901-1096	9		DIODE-PIN	28480	1901-1096
A12A5CR2	1901-1096	9		DIODE-PIN	28480	1901-1096
A12A5CR3	1901-1096	9		DIODE-PIN	28480	1901-1096
A12A5CR4	1901-1096	9		DIODE-PIN	28480	1901-1096
A12A5J1	1250-1220	0		CONNECTOR-RF SMC M PC 50-OHM	28480	1250-1220
	2190-0124	4		WASHER-LK INTL T NO. 10 .185-IN-ID	28480	2190-0124
	2950-0078	9		NUT-HEX-DBL-CHAM 10-32-THD .067-IN-THK	28480	2950-0078
A12A5J2	1250-1220	0		CONNECTOR-RF SMC M PC 50-OHM	28480	1250-1220
	2190-0124	4		WASHER-LK INTL T NO. 10 .185-IN-ID	28480	2190-0124
	2950-0078	9		NUT-HEX-DBL-CHAM 10-32-THD .067-IN-THK	28480	2950-0078
A12A5L1	9100-3922	4		INDUCTOR-FIXED 120-1300 HZ	28480	9100-3922
A12A5L2	9100-1621	6		INDUCTOR RF-CH-MLD 18UH 10% .168DX.386LG	28480	9100-1621
A12A5L3	9100-3922	4		INDUCTOR-FIXED 120-1300 HZ	28480	9100-3922
A12A5L4	9100-3922	4		INDUCTOR-FIXED 120-1300 HZ	28480	9100-3922
A12A5L5	9135-0070	0		INDUCTOR RF-CH-MLD 24NH 7% .102DX.26LG	28480	9135-0070

† Refer to Section 7 for update information.

* Factory Selected Component (Refer to Section 5.)

old

Table 6-3. Replaceable Parts

Reference Designation	HP Part Number	C D	Qty.	Description	Mfr. Code	Mfr. Part Number
A12A5L6	9100-2247	4		INDUCTOR RF-CH-MLD 100NH 10% .105DX.26LG	28480	9100-2247
A12A5L7	9100-3922	4		INDUCTOR-FIXED 120-1300 HZ	28480	9100-3922
A12A5L8	9100-3922	4		INDUCTOR-FIXED 120-1300 HZ	28480	9100-3922
A12A5L10	9100-3922	4		INDUCTOR-FIXED 120-1300 HZ	28480	9100-3922
A12A5L11	9135-0076	6		INDUCTOR RF-CH-MLD 39NH 6% .102DX.26LG	28480	9135-0076
A12A5L12	9135-0069	7		INDUCTOR RF-CH-MLD 30NH 5% .102DX.26LG	28480	9135-0069
A12A5L13	9100-3922	4		INDUCTOR-FIXED 120-1300 HZ	28480	9100-3922
A12A5L14	9100-2247	4		INDUCTOR RF-CH-MLD 100NH 10% .105DX.26LG	28480	9100-2247
A12A5L15	9135-0069	7		INDUCTOR RF-CH-MLD 30NH 5% .102DX.26LG	28480	9135-0069
A12A5L16	9135-0069	7		INDUCTOR RF-CH-MLD 30NH 5% .102DX.26LG	28480	9135-0069
A12A5L17	9135-0069	7		INDUCTOR RF-CH-MLD 30NH 5% .102DX.26LG	28480	9135-0069
A12A5L18	9135-0069	7		INDUCTOR RF-CH-MLD 30NH 5% .102DX.26LG	28480	9135-0069
A12A5L19	9100-1630	7		INDUCTOR RF-CH-MLD 51UH 5% .166DX.385LG	28480	9100-1630
A12A5MP1	08663-00055	8	1	COVER-EXT DOWN CONVERTER	28480	08663-00055
A12A5MP1	2380-0113	2		SCREW-MACH 6-32 .25-IN-LG PAN-HD-POZI	00000	ORDER BY DESCRIPTION
A12A5MP2	5001-0176	0		GROUND STRAP	28480	5001-0176
A12A5MP3	5001-0176	0		GROUND STRAP	28480	5001-0176
A12A5MP4	08662-00040	0		SHIELD-COMPONENT (SMALL)	28480	08662-00040
A12A5MP5	08662-00038	6		SHIELD-CIRCUIT (SMALL)	28480	08662-00038
A12A5Q1	1853-0036	2	2	TRANSISTOR PNP Si PD=310MW FT=250MHZ	28480	1853-0036
A12A5Q2	1854-0720	3		TRANSISTOR NPN Si PD=500MW FT=4GHZ	28480	1854-0720
A12A5Q3	1853-0036	2		TRANSISTOR PNP Si PD=310MW FT=250MHZ	28480	1853-0036
A12A5Q4	1854-0477	7		TRANSISTOR NPN 2N2222A Si TO-18 PD=500MW	04713	2N2222A
A12A5Q5	1854-0720	3		TRANSISTOR NPN Si PD=500MW FT=4GHZ	28480	1854-0720
A12A5Q6	1854-0720	3		TRANSISTOR NPN Si PD=500MW FT=4GHZ	28480	1854-0720
A12A5R1	0699-1426	7	2	RESISTOR 287 1% .125W F TC=0+-100	28480	0699-1426
A12A5R3A	0699-1350	6		RESISTOR 17.8 1% F TC=0+-100	28480	0699-1350
A12A5R3B	0699-0174	0		RESISTOR 11.8 5% .1W C TC=0+-200	28480	0699-0174
A12A5R4	0698-7236	7		RESISTOR 1K 1% .05W F TC=0+-100	24546	C3-1/8-T0-1001-F
A12A5R5	0698-7188	8		RESISTOR 10 1% .05W F TC=0+-100	24546	C3-1/8-T0-10R-F
A12A5R6	0698-7263	0		RESISTOR 13.3K 1% .05W F TC=0+-100	24546	C3-1/8-T0-1332-F
A12A5R7	0699-1426	7	2	RESISTOR 287 1% .125W F TC=0+-100	28480	0699-1426
A12A5R8	0698-7236	7		RESISTOR 1K 1% .05W F TC=0+-100	24546	C3-1/8-T0-1001-F
A12A5R9	0698-7249	2		RESISTOR 3.48K 1% .05W F TC=0+-100	24546	C3-1/8-T0-3481-F
A12A5R10	0698-7248	9		RESISTOR 2.61K 1% .05W F TC=0+-100	24546	C3-1/8-T0-2611-F
A12A5R11	0698-7220	9		RESISTOR 215 1% .05W F TC=0+-100	24546	C3-1/8-T0-215R-F
A12A5R12	0698-7188	0		RESISTOR 26.1 1% .05W F TC=0+-100	24546	C3-1/8-T0-26R1-F
A12A5R13	0699-0128	4	4	RESISTOR 10 5% .1W C TC=0+-200	26654	3C100J
A12A5R14	0698-7247	0	1	RESISTOR 2.87K 1% .05W F TC=0+-100	24546	C3-1/8-T0-2871-F
A12A5R15	0699-0128	4		RESISTOR 10 5% .1W C TC=0+-200	26654	3C100J
A12A5R16	0757-0198	2	1	RESISTOR 100 1% .5W F TC=0+-100	28480	0757-0198
A12A5R17	0698-7244	7		RESISTOR 2.15K 1% .05W F TC=0+-100	24546	C3-1/8-T0-2151-F
A12A5R18	0757-1094	9		RESISTOR 1.47K 1% .125W F TC=0+-100	24546	C4-1/8-T0-1471-F
A12A5R19	0698-7219	6		RESISTOR 196 1% .05W F TC=0+-100	24546	C3-1/8-T0-196R-F
A12A5R20	0698-7158	2	1	RESISTOR 100K .01% .5W F TC=0+-1	28480	0698-7158
A12A5R21	0698-7233	4		RESISTOR 750 1% .05W F TC=0+-100	24546	C3-1/8-T0-750R-F
A12A5R22	0698-7236	7		RESISTOR 1K 1% .05W F TC=0+-100	24546	C3-1/8-T0-1001-F
A12A5R23	0698-7219	6		RESISTOR 196 1% .05W F TC=0+-100	24546	C3-1/8-T0-196R-F

†Refer to Section 7 for update information.

*Factory Selected Component (Refer to Section 5).

old
Table 6-3. Replaceable Parts

Reference Designation	HP Part Number	C D	Qty.	Description	Mfr. Code	Mfr. Part Number
CHASSIS PARTS/MISCELLANEOUS PARTS						
AT1	08663-60104	4	1	ATTENUATOR SET-FRONT OUTPUT (STD ONLY)	28480	08663-60104
AT1	08663-60105	5	1	ATTENUATOR SET-REAR OUTPUT (OPT 001/002)	28480	08663-60105
2234A TO 2405A						
AT2						
2408A AND ABOVE						
AT2	1250-0207	1	1	TERMINATION-COAXIAL SERIES BNC; 50 OHMS (STD)	28480	1250-0207
AT2	1250-0839	5	1	TERMINATION-COAXIAL SMC FEMALE; 50 OHMS (OPT 001/002)	28480	1250-0839
2234A TO 2846A						
B1 †						
2918A AND ABOVE						
B1	3160-0471	2	1	FAN-TBAX 106-CFM 24VDC .6KV-DIEL	28480	3160-0471
F1	2110-0010	9	1	FUSE 5A 250V NTD 1.25X.25 UL (LINE FUSE FOR ABOVE 115V OPERATION)	75915	312005
F1	2110-0083	6	1	FUSE 2.5A 250V NTD 1.25X.25 UL (LINE FUSE FOR 230V OPERATION)	28480	2110-0083
F2	2110-0063	2	1	FUSE .75A 250V NTD 1.25X.25 UL (OVEN FUSE FOR 115V OPERATION)	28480	2110-0063
F2	2110-0012	1	1	FUSE .5A 250V NTD 1.25X.25 UL (OVEN FUSE FOR 230V OPERATION)	28480	2110-0012
FL1	08662-60011	1	1	520 MHZ BAND PASS FILTER	28480	08662-60011
FL2	9135-0195	0	1	FILTER-LINE WIRE LEAD-TERMS	28480	9135-0195
J1						
	1250-1091	3	3	NSR P/O W1 "AM IN" (STD. & OPT 002)	28480	1250-1091
	2190-0068	5	4	CONNECTOR-RF BNC FEM SGL-HOLE-RR 50-OHM	28480	2190-0068
	0590-1011	6	3	WASHER-LK INTL T 1/2 IN .505-IN-ID NUT-KNRLD-R 15/32-32-THD .12-IN-THK	28480	0590-1011
J2						
	1250-1091	3	3	NSR P/O W2 "FM IN" (STD; OPT 002)	28480	1250-1091
	2190-0068	5	4	CONNECTOR-RF BNC FEM SGL-HOLE-RR 50-OHM	28480	2190-0068
	0590-1011	6	3	WASHER-LK INTL T 1/2 IN .505-IN-ID NUT-KNRLD-R 15/32-32-THD .12-IN-THK	28480	0590-1011
J3						
	1250-1091	3	3	NSR P/O W3 "PHASE MOD INPT" (OPT 002)	28480	1250-1091
	2190-0068	5	4	CONNECTOR-RF BNC FEM SGL-HOLE-RR 50-OHM	28480	2190-0068
	0590-1011	6	3	WASHER-LK INTL T 1/2 IN .505-IN-ID NUT-KNRLD-R 15/32-32-THD .12-IN-THK	28480	0590-1011
J4						
	08662-60304	5	1	OUTPUT CONNECTOR ASSEMBLY	28480	08662-60304
	1250-0915	8	1	CONTACT-RF CONN SER APC-N FEMALE	9D949	131-149
	2190-0104	0	1	WASHER-LK INTL T 7/16 IN .439-IN-ID	28480	2190-0104
	2950-0132	6	1	NUT-HEX-DBL-CHAM 7/16-28-THD .094-IN-THK	00000	ORDER BY DESCRIPTION
	2380-0116	5	2	SCREW-MACH 6-32 .312-IN-LG 82 DEG	00000	ORDER BY DESCRIPTION
	5021-0883	4	1	BODY-RF CONNECTOR	28480	5021-0883
	5040-0306	0	1	INSULATOR	28480	5040-0306
	08555-20093	5	1	CONTACT JACK	28480	08555-20093
	08555-20094	6	1	BODY BULKHEAD	28480	08555-20094
	08731-210	2	1	NUT LOCK	28480	08731-210
	08761-2027	4	1	INSULATOR	28480	08761-2027
J6						
NSR P/O W55 "PULSE BPSK"						
J7						
NSR P/O W3 "PHASE MOD IN" (OPT. 001/002)						
J8						
NSR P/O W88 "Z AXIS BLKG MKR"						
J10						
NSR P/O W1 "AM IN" (OPT. 001)						
J12						
NSR P/O W51 "AUX FM IN"						
J13						
J14	SAME AS J4	7	1	NSR P/O W2 "FM IN" (OPT. 001) (OPTION 001 ONLY)	28480	SAME AS J4
J15				NSR P/O W83 "640 MHZ"		
2234A TO 2405A						
J16						
2408A AND ABOVE						
J16	1250-0083	1	1	CONNECTOR-RF BNC FEM SGL-HOLE-FR 50-OHM (STD)	28480	1250-0083
J16	1250-0829	3	1	CONNECTOR-RF SMC M SGL-HOLE-FR 50-OHM (OPT 001)	28480	1250-0829

†Refer to Section 7 for update information.

*Factory Selected Component (Refer to Section 5).

△ Errata part change.

old

Table 6-3. Replaceable Parts

Reference Designation	HP Part Number	C D	Qty.	Description	Mfr. Code	Mfr. Part Number
MP1	08662-00176	3	1	RIGHT PANEL SUPPORT	28480	08662-00176
MP2	08662-00063	7	1	LEFT PANEL SUPPORT	28480	08662-00063
MP3	3050-0226	2	1	WASHER-FL MTLG NO. 10 .203-IN-ID	28480	3050-0226
MP4	0510-0045	6		RETAINER-RING E-R EXT .188-IN-DIA STL	28480	0510-0045
MP5	08662-20024	2	1	SUPPORT PANEL TOP	28480	08662-20024
2234A TO 2651A						
MP6	08663-00021	8	1	SUB-PANEL	28480	08663-00021
2700A AND ABOVE						
MP6	08663-00120	8	1	SUB-PANEL	28480	08663-00120
MP7	08662-20301	9	1	SUB-PANEL BOTTOM	28480	08662-20301
MP8	2200-0185	6	1	SCREW-MACH 4-40 .25-IN-LG 82 DEG	00000	ORDER BY DESCRIPTION
2234A TO 2918A						
MP9				NO LONGER AVAILABLE, SEE SECTION 7		
2936A AND ABOVE						
MP9	08663-00125	3	1	SWEEP PANEL	28480	08663-00125
MP9B	0510-1148	2	2	RETAINER-PUSH ON KB-TO-SHFT EXT	28480	0510-1148
MP10	5040-6928	4	1	STRIP-DIVIDER	28480	5040-6928
2234A TO 2918A						
MP11				NO LONGER AVAILABLE, SEE SECTION 7		
2936A AND ABOVE						
MP11	08663-00127	5	1	FRONT CASTING	28480	08663-00127
MP12	2200-0103	2		SCREW-MACH 4-40 .25-IN-LG PAN-HD-POZI	28480	2200-0103
2234A TO 2918A						
MP13				NO LONGER AVAILABLE, SEE SECTION 7		
MP14				NO LONGER AVAILABLE, SEE SECTION 7		
MP15				NO LONGER AVAILABLE, SEE SECTION 7		
MP16				NO LONGER AVAILABLE, SEE SECTION 7		
2936A AND ABOVE						
MP13	08663-00121	9	1	RIGHT CONNECTOR PANEL (OPT. 001)	28480	08663-00121
MP14	08663-00124	2	1	RIGHT CONNECTOR PANEL (STD. ONLY)	28480	08663-00124
	0510-1148	2		RETAINER-PUSH ON KB-TO-SHFT EXT	28480	0510-1148
MP15	08663-00122	0	1	RIGHT CONNECTOR PANEL (OPT. 002)	28480	08663-00122
	1400-0053	4	1	CLAMP-CABLE .172-DIA .375-WD NYL	28480	1400-0053
	2190-0003	8	2	WASHER-LK HLCL NO. 4 .115-IN-ID	28480	2190-0003
	2200-0145	2	1	SCREW-MACH 4-40 .438-IN-LG PAN-HD-POZI	00000	ORDER BY DESCRIPTION
	3050-0105	6	2	WASHER-FL MTLG NO. 4 .125-IN-ID	28480	3050-0105
MP16	08663-00123	1	1	MAIN PANEL	28480	08663-00123
	2950-0001	8	1	NUT-HEX-DBL-CHAM 3/8-32-THD .094-IN-THK	00000	ORDER BY DESCRIPTION
MP17	2190-0016	3	1	WASHER-LK INTL T 3/8 IN .377-IN-ID	28480	2190-0016
MP18	0370-2389	7	1	KNOB-BASE 1-1/2 JGK .25-IN-ID	28480	0370-2389
MP19	08662-20300	7	1	RIGHT PIN HINGE	28480	08662-20300
	0510-0045	6	3	RETAINER-RING E-R EXT .188-IN-DIA STL	28480	0510-0045
MP20	08662-20016	2	1	LEFT PIN HINGE	28480	08662-20016
	0510-0045	6		RETAINER-RING E-R EXT .188-IN-DIA STL	28480	0510-0045
MP21	1400-0014	7	1	CABLE CLAMP-HFCL .5-DIA .375-WD STL	28480	1400-0014
	2380-0113	2	6	SCREW-MACH 6-32 .25-IN-LG PAN-HD-POZI	00000	ORDER BY DESCRIPTION
2234A TO 2918A						
MP22				NO LONGER AVAILABLE, SEE SECTION 7		
MP22	5020-8805	8	1	FRONT FRAME-ENGLISH CAB.	28480	5020-8805
2936A AND ABOVE						
MP22	5021-8405	6	1	FRONT FRAME-METRIC CAB.	28480	5020-8405
2234A TO 2619A						
MP23 †				REAR PANEL		
2620A, 2704A AND ABOVE						
MP23	08663-20059	4	1	REAR PANEL	28480	08663-20059
2234A TO 2513A						
MP24	5020-6838	7	1	CORNER STRUTS - ENGLISH CABINET	28480	5020-6838
MP25	2510-0192	6	1	SCREW-MACH 8-32 .25-IN-LG 100 DEG ENGLISH CABINET	00000	ORDER BY DESCRIPTION

† Refer to Section 7 for update information.

* Factory Selected Component (Refer to Section 5).

Δ Errata part change.

old

CHANGES

All Serial Prefixes	<p>On the A3A7 Component Locator:</p> <ul style="list-style-type: none"> • <u>A3A7C23, C24, C26, C27</u> - Delete A3A7C23, C24, and C26. Change the existing C27 to C23.
2441A and above	<p>On the A3A7 Schematic:</p> <ul style="list-style-type: none"> • <u>A3A7R12, R13, R15, R17, R20</u> - Change the values of these resistors to the new values shown below: R12 to 3.83k R13 to 17.8k R15 to 21.5k R17 to 14.7k R20 to 75k
2449A and above	<p>On the A3A7 schematic:</p> <ul style="list-style-type: none"> • <u>A3A7R28, R30</u> - Change the value of R28 and R30 to 1.21k.
2549A and above	<p>On the A3A7 Schematic:</p> <ul style="list-style-type: none"> • <u>A3A7R5*, R10, R12, R13, R15, R17, R20</u> - Change the values of these resistors to the new values shown below: R5* to 5.11k R10 to 5.11k R12 to 4.22k R13 to 21.5k R15 to 34.8k R17 to 26.1 ohms R20 to 90.9k
2936A and above	<p>On the A3A7 schematic:</p> <ul style="list-style-type: none"> • <u>A3A7R28, R30</u> - Change the value of R28 and R30 to 1k.

CHANGES

old

2824A and above

On the schematic:

- A12A4R43 - In the upper right hand corner of the schematic locate R43 under BIAS and change its value to 4.22K.

CHANGES

old

All serial prefixes

On the A11A2 schematic:

- A11A2R4*, R7* - Change the value of R4* to 5.62k. Change the value of R7* to 5.11k.

old

CHANGES

2342A to 2846A	<p>On the A7A3 schematic:</p> <ul style="list-style-type: none"> • A7A3 - Modify the schematic as shown in the partial schematic "P/O Figure 8-908, A7A3 Power Supply Inverter, Motherboard & Line Filter Schematic (2342A to 2846A)" on page 8-908.5
2510A to 2846A	<p>On the A7A3 schematic:</p> <ul style="list-style-type: none"> • A7A3 - Modify the schematic as shown in the partial schematic "P/O Figure 8-908, A7A3 Power Supply Inverter, Motherboard & Line Filter Schematic (2510A to 2846A)" on page 8-908.6
2545A and above	<p>On the A7A4 schematic:</p> <ul style="list-style-type: none"> • 08662-60376 - Change the part number of the A7A4 Assembly to 08662-60376. <p style="text-align: center;">NOTE</p> <p><i>If replacing the old A7A4 power supply motherboard with the new board (08662-60376), extreme care should be exercised as the connections are arranged in a different order on the 08662-60376 board. For information regarding installing a new A7A4 Assembly (08662-60376) in an older instrument, refer to Installation Instructions on page 8-908.1 - HP Part number 08662-90069. The wiring codes and board labels shown on the schematic are correct.</i></p>
2651A and above	<p>On the A7A1 schematic:</p> <ul style="list-style-type: none"> • 08662-60347 - Change the part number of the A7A1 Assembly to 08662-60347. • Q4, Q6, Q8 - Change the part number of Q4, Q6, and Q8 to 1884-0330 in the "Table of Transistor and Integrated Circuit Part Numbers."
2846A and below	<p>On the schematic:</p> <ul style="list-style-type: none"> • B1 - This assembly is not individually backwards compatible except as a total kit - the Fan Replacement Kit is available as HP part number 08662-60383. <p>If your rear panel frame is damaged and your fan needs to be replaced, order the Rear Panel Kit, HP part number 08662-60384. See section 7 for further information.</p>

old

CHANGES

<p>2918A and above</p>	<p>On the schematic:</p> <ul style="list-style-type: none">• B1 - Use the partial schematic on page 8-908.7.• A7A3 - In A7A3 INVERTER, under FULL-WAVE RECTIFIERS AND RIPPLE FILTERS, draw an on-page connector extending upward from the node of C9. Label it "A" +23 V. "A" connects to the partial schematic on page 8-908.7.

Done

DOCUMENTATION UPDATE SERVICE PACKET

4

HP 8663A SERVICE MANUAL
(Serial Prefix Range 2234A to 2927A)

old

HP 8663A

SYNTHESIZED SIGNAL GENERATOR

Including Options 001, 002, & 003

Service Manual

SERIAL NUMBERS

This manual applies directly to instruments with serial numbers prefixed:

2234A to 2824A

rev.01JUN88

For additional important information about serial numbers, refer to "INSTRUMENTS COVERED BY THIS MANUAL" in Section 1.

Second Edition

This material may be reproduced by or for the U.S. Government pursuant to the Copyright License under the clause at DFARS 52.227-7013 (APR 1988).

Copyright©HEWLETT-PACKARD COMPANY 1982
EAST 24001 MISSION AVENUE, TAF C-34, SPOKANE, WASHINGTON, U.S.A. 99220

Service Manual (Volume 1, 2, 3, 4) HP Part 08663-90071

Other Documents Available:

Operation and Calibration Manual (Volume 1) HP Part 08663-90069

Microfiche Service Manual HP Part 08663-90072

Microfiche Operation and Calibration Manual HP Part 08663-90070

Printed in U.S.A. : September 1988



**HEWLETT
PACKARD**

old

Section 6 REPLACEABLE PARTS

6-1. INTRODUCTION TO THIS SECTION

This section contains information for ordering parts. Table 6-1 lists assemblies within the instrument that may be replaced on an exchange basis. Table 6-2 lists reference designations and abbreviations that are used in the Replaceable Parts List. Table 6-3 lists all replaceable parts in the instrument. Table 6-4 contains the names and addresses that correspond to the manufacturer's code numbers listed in Table 6-3. Also included in this section are photographs and drawings to aid in identifying and ordering chassis mounted parts and mechanical parts.

6-2. RESTORED ASSEMBLIES

Table 6-1 lists assemblies within the instrument that may be replaced on an exchange basis, thus affording a considerable cost savings. Exchange, factory-repaired and tested assemblies are available only on a trade-in basis; therefore, the defective assemblies must be returned for credit. For this reason, assemblies required for spare parts stock must be ordered by the new assembly part number.

6-3. REFERENCE DESIGNATIONS AND ABBREVIATIONS USED IN THIS MANUAL

Table 6-2 lists the reference designation letters for electrical parts in the instrument. The letter designations found in Table 6-2 are coupled with numeric designations to provide a unique reference designation for each part in the instrument. For example A1A1R1 is the reference designation of a particular resistor R1 on assembly A1A1.

Table 6-2 also lists abbreviations used in the parts list and on schematics.

6-4. REPLACEABLE PARTS LIST

Table 6-3 is a list of replaceable parts and is organized as follows:

- a. Electrical assemblies and their components with reference designations in alphanumeric order.
- b. Chassis-Mounted parts with reference designations in alphanumeric order.
- c. Mechanical parts with reference designations in alphanumeric order.

Factory Selected Parts (*).

Parts marked with an asterisk (*) are factory selected parts. The value listed in the parts list is the nominal value. Refer to Section 5 for information on determining what value to use for replacement.

Instrument Changes (†).

Parts marked with a dagger have been changed to improve the performance and reliability of your instrument. Refer to Section 7 for an explanation of instrument changes.

old

Ordering Parts.

Instrument Serial Numbers.

Attached to the rear of the instrument is a serial-number plate. The first four digits and the letter are the instrument serial-number prefix. The last five digits (serial-number suffix) are unique to each instrument. When parts in the instrument are changed, the serial-number prefix of the instrument may also change. This means that sometimes a part will be listed more than once in the the replaceable parts list along with a serial-number prefix or range of serial-number prefixes. Find the serial-number prefix on the serial plate of your instrument and order the part listed under the corresponding prefix in the table. If no serial prefix information is listed, the part is compatible in instruments of all serial numbers.

NOTE

It is possible that some assemblies in your instrument have been updated (through service or retrofitting) to reflect changes made to instruments with serial-number prefixes later than that shown on your instrument serial-number tag. Be sure to note the board number of the assembly being repaired or replaced when ordering parts for your instrument.

How to Order

To order a part in the Replaceable Parts List, call or write the nearest Hewlett-Packard Sales Office. Have the following information ready to speed the ordering process:

1. The Hewlett-Packard part number with the check digit. (The check digit will ensure accurate and timely processing of your order.)
2. The quantity required.
3. An approved purchase order number. (Sometimes required.)

NOTE

Within the USA, it is better to order directly from the HP Parts Center in Mountain View California. Ask your nearest HP office for information and forms for the "Direct Order System".

Replaceable Parts List Updating (Manual Updates)

A "MANUAL UPDATES" packet is shipped with the manual, when necessary, to provide the most current information available at the time of shipment. These packets consist of replacement and addition pages which should be incorporated into the manual to bring it up to date.

Hewlett-Packard offers a Documentation Update Service that will provide you with further updates as they become available. If you operate or service instruments of different serial prefixes, we strongly recommend that you join this service immediately to ensure that your manual is kept current. For more information, refer to the Documentation Update Service reply card included in this manual, or call: Technical Writing Department (509) 922-4001,

or write: Hewlett-Packard Company
Technical Writing Department
24001 E. Mission - TAF C-34
Spokane, WA 99220

Table 6-3. Replaceable Parts

Reference Designation	HP Part Number	C D	Qty.	Description	Mfr. Code	Mfr. Part Number
A2A8						
08663-60365 - SERIAL PREFIX 2537A AND ABOVE						
A2AB	08663-60365	4		RAM/ROM ASSEMBLY	28480	08663-60365
A9A2BT1	1420-0281	2		BATTERY 2.9V .46A-HR LI/S-DIOX PIN	28480	1420-0281
A2A8C1	0180-0116	1	3	CAPACITOR-FXD 6.8UF +-10% 35VDC TA	56289	150D68549035B2
A2A8C2	0180-0116	1		CAPACITOR-FXD 6.8UF +-10% 35VDC TA	56289	150D68549035B2
A2A8C3	0180-0116	1		CAPACITOR-FXD 6.8UF +-10% 35VDC TA	56289	150D68549035B2
A2A8C4	0180-4835	7	10	CAPACITOR-FXD .1UF +-10% 50VDC CER	28480	0180-4835
A2A8C5	0180-4835	7		CAPACITOR-FXD .1UF +-10% 50VDC CER	28480	0180-4835
A2A8C6	0180-4835	7		CAPACITOR-FXD .1UF +-10% 50VDC CER	28480	0180-4835
A2A8C7	0180-4835	7		CAPACITOR-FXD .1UF +-10% 50VDC CER	28480	0180-4835
A2A8C8	0180-4835	7		CAPACITOR-FXD .1UF +-10% 50VDC CER	28480	0180-4835
A2A8C9	0180-4835	7		CAPACITOR-FXD .1UF +-10% 50VDC CER	28480	0180-4835
A2A8C10	0180-4835	7		CAPACITOR-FXD .1UF +-10% 50VDC CER	28480	0180-4835
A2A8C11	0180-4835	7		CAPACITOR-FXD .1UF +-10% 50VDC CER	28480	0180-4835
A2A8C12	0180-4835	7		CAPACITOR-FXD .1UF +-10% 50VDC CER	28480	0180-4835
A2A8C13	0180-4835	7		CAPACITOR-FXD .1UF +-10% 50VDC CER	28480	0180-4835
A2A8L1	9100-3922	4	1	INDUCTOR-FIXED 120-1300HZ	28480	9100-3922
A2A8MP1	4040-0748	3		EXTR-PC BC BLK POLYC .062-BD-THKNS	28480	4040-0748
	1480-0116	8		PIN GRV .062-IN-DIA .25-IN-LG STL	28480	1480-0116
A2A8MP2	4040-0747	2		EXTR-PC BC GRA POLYC .062-BD-THKNS	28480	4040-0747
	1480-0116	8		PIN GRV .062-IN-DIA .25-IN-LG STL	28480	1480-0116
A2A8R1	1810-0279	5		NETWORK-RES 10-SIP4.7K OHMX9	01121	210A472
A2A8R2	1810-0279	5		NETWORK-RES 10-SIP4.7K OHMX9	01121	210A472
A2A8R3	1810-0279	5		NETWORK-RES 10-SIP4.7K OHMX9	01121	210A472
A2A8TP1	0380-0535	0		TERMINAL TEST POINT PCB	00000	ORDER BY DESCRIPTION
A2A8U1	08862-80063	5	1	UV PROGRAMMED ROM	28480	08862-80063
A2A8U2	08862-80062	4	1	UV PROGRAMMED ROM	28480	08862-80062
A2A8U3	1819-1988	7	1	IC CMOS 16384 (18K) STAT RAM 250-NS 3-S	28480	1819-1988
A2A8U4	1820-2913	9	1	IC RCVR TTL ALS CCTL	01295	SN74ALS245N
A2A8U5	1820-2657	9	3	IC GATE TTL ALS OR QUAD 2-INP	01295	SN74ALS32N
A2A8U6	1820-1202	7	1	IC GATE TTL LS NAND TPL 3-INP	01295	SN74ALS10N
A2A8U7	1820-2657	9		IC GATE TTL ALS OR QUAD 2-INP	01295	SN74ALS32N
A2A8U8	1820-2657	9		IC GATE TTL ALS OR QUAD 2-INP	01295	SN74ALS32N
A2A8U9	1820-2656	7	1	IC GATE TTL ALS NAND QUAD 2-INP	01295	SN74ALS00N
A2A8U10	1820-1441	6	1	IC ADDER TTL LS BIN FULL ADDR 4-BIT	01295	SN74ALS283N

† Refer to Section 7 for update information.

* Factory Selected Component (Refer to Section 5.)

old

Table 6-3. Replaceable Parts

Reference Designation	HP Part Number	C D	Qty.	Description	Mfr. Code	Mfr. Part Number
A2A11						
A2A11	08663-60340	0	1	DCU SECTION MOTHERBOARD	28480	08663-60340
A2A11C1	0160-3879	7		CAPACITOR-FXD .01UF +20% 100VDC CER	28480	0160-3879
A2A11C2	0160-3879	7		CAPACITOR-FXD .01UF +20% 100VDC CER	28480	0160-3879
A2A11J1	1251-5314	3	3	CONNECTOR 50-PIN POST SERIES	28480	1251-5314
A2A11J2	1251-5316	5	2	CONNECTOR 34-PIN POST SERIES	28480	1251-5316
A2A11J3	1200-0507	8		SOCKET-IC 16-CONT DIP-SLDR	28480	1200-0507
A2A11J5	1200-0508	0	4	SOCKET-IC 14-CONT DIP-SLDR	28480	1200-0508
A2A11J6	1251-5314	3		CONNECTOR 50-PIN POST SERIES	28480	1251-5314
A2A11J7	1251-5318	5		CONNECTOR 34-PIN POST SERIES	28480	1251-5316
A2A11J8	1251-5314	3		CONNECTOR 50-PIN POST SERIES	28480	1251-5314
<i>2234A TO 2601A</i> A2A11J9	1251-5316	4		CONNECTOR 40-PIN POST SERIES	28480	1251-5316
<i>2602A AND ABOVE</i> A2A11J9	1252-0393	0		CONN.POST TYPE 100-PIN-SPOG 40-CONT	28480	1252-0393
	1251-5595	2		POLARIZING KEY POST CONN	28480	1251-5595
A2A11J10	1200-0508	0		SOCKET-IC 14-CONT DIP-SLDR	28480	1200-0508
<i>2234A TO 2601A</i> A2A11J11	1251-7034	8	1	CONNECTOR 40-PIN M POST TYPE	28480	1251-7034
<i>2602A AND ABOVE</i> A2A11J11	1252-1345	4		CONN.POST TYPE 40-CONT	28480	1251-1345
	1251-5595	2		POLARIZING KEY POST CONN	28480	1251-5595
A2A11J12	1200-0508	0		SOCKET-IC 14-CONT DIP-SLDR	28480	1200-0508
<i>2234A TO 2601A</i> A2A11J13	1251-5151	6	1	CONNECTOR 26-PIN M POST TYPE	28480	1251-5151
<i>2602A AND ABOVE</i> A2A11J13	1252-1335	2		CONN.POST TYPE 26-CONT	28480	1251-1335
	1251-5595	2		POLARIZING KEY POST CONN	28480	1251-5595
A2A11J14	1200-0508	0		SOCKET-IC 14-CONT DIP-SLDR	28480	1200-0508
A2A11MP1	0340-0095	5	4	TERMINAL-STUD SGL-TUR PRESS-MTG	28480	0340-0095
A2A11MP2	0340-0095	5		TERMINAL-STUD SGL-TUR PRESS-MTG	28480	0340-0095
A2A11MP3	0340-0095	5		TERMINAL-STUD SGL-TUR PRESS-MTG	28480	0340-0095
A2A11MP4	0340-0095	5		TERMINAL-STUD SGL-TUR PRESS-MTG	28480	0340-0095
A2A11TP1	1251-0600	0		CONNECTOR-SGL CONT PIN 1.14-MM-BSC-SZ SQ	28480	1251-0600
A2A11TP2	1251-0600	0		CONNECTOR-SGL CONT PIN 1.14-MM-BSC-SZ SQ	28480	1251-0600
A2A11TP3	1251-0600	0		CONNECTOR-SGL CONT PIN 1.14-MM-BSC-SZ SQ	28480	1251-0600
A2A11TP4	1251-0600	0		CONNECTOR-SGL CONT PIN 1.14-MM-BSC-SZ SQ	28480	1251-0600
A2A11XA1A	1251-2026	8	21	CONNECTOR-PC EDGE 18-CONT/ROW 2-ROWS	28480	1251-2026
A2A11XA1B	1251-2026	8		CONNECTOR-PC EDGE 18-CONT/ROW 2-ROWS	28480	1251-2026
A2A11XA2A	1251-2026	8		CONNECTOR-PC EDGE 18-CONT/ROW 2-ROWS	28480	1251-2026
A2A11XA2B	1251-2026	8		CONNECTOR-PC EDGE 18-CONT/ROW 2-ROWS	28480	1251-2026
A2A11XA3A	1251-2026	8		CONNECTOR-PC EDGE 18-CONT/ROW 2-ROWS	28480	1251-2026
A2A11XA3B	1251-2026	8		CONNECTOR-PC EDGE 18-CONT/ROW 2-ROWS	28480	1251-2026
A2A11XA4A	1251-2026	8		CONNECTOR-PC EDGE 18-CONT/ROW 2-ROWS	28480	1251-2026
A2A11XA4B	1251-2026	8		CONNECTOR-PC EDGE 18-CONT/ROW 2-ROWS	28480	1251-2026
A2A11XA5A	1251-2026	8		CONNECTOR-PC EDGE 18-CONT/ROW 2-ROWS	28480	1251-2026
A2A11XA5B	1251-2026	8		CONNECTOR-PC EDGE 18-CONT/ROW 2-ROWS	28480	1251-2026

† Refer to Section 7 for update information.

* Factory Selected Component (Refer to Section 5.)

old

Table 6-3. Replaceable Parts

Reference Designation	HP Part Number	C D	Qty.	Description	Mfr. Code	Mfr. Part Number
A2A11XA6A	1251-2026	8		CONNECTOR-PC EDGE 18-CONT/ROW 2-ROWS	28480	1251-2026
A2A11XA6B	1251-2026	8		CONNECTOR-PC EDGE 18-CONT/ROW 2-ROWS	28480	1251-2026
A2A11XA7A	1251-2026	8		CONNECTOR-PC EDGE 18-CONT/ROW 2-ROWS	28480	1251-2026
A2A11XA7B	1251-2026	8		CONNECTOR-PC EDGE 18-CONT/ROW 2-ROWS	28480	1251-2026
A2A11XABA	1251-2026	8		CONNECTOR-PC EDGE 18-CONT/ROW 2-ROWS	28480	1251-2026
A2A11XA8B	1251-2026	8		CONNECTOR-PC EDGE 18-CONT/ROW 2-ROWS	28480	1251-2026
A2A11XA9A	1251-2026	8		CONNECTOR-PC EDGE 18-CONT/ROW 2-ROWS	28480	1251-2026
A2A11XA9B	1251-2026	8		CONNECTOR-PC EDGE 18-CONT/ROW 2-ROWS	28480	1251-2026
A2A11XA10A	1251-2026	8		CONNECTOR-PC EDGE 18-CONT/ROW 2-ROWS	28480	1251-2026
A2A11XA10B	1251-2026	8		CONNECTOR-PC EDGE 18-CONT/ROW 2-ROWS	28480	1251-2026

† Refer to Section 7 for update information.

* Factory Selected Component (Refer to Section 5.)

old

Table 6-3. Replaceable Parts

Reference Designation	HP Part Number	C D	Qty.	Description	Mfr. Code	Mfr. Part Number
A3A4						
A3A4	08662-80138	1	1	N LOOP VCO ASSEMBLY	28480	08663-80033
A3A4C1	0160-4084	8	21	CAPACITOR-FXD .1UF +-20% 50VDC CER	28480	0160-4084
A3A4C2	0160-4084	8		CAPACITOR-FXD .1UF +-20% 50VDC CER	28480	0160-4084
A3A4C3	0160-5216	0	2	CAPACITOR-FXD .1UF +-10% 100VDC CER	28480	0160-5216
A3A4C4	0160-3878	6		CAPACITOR-FXD 1000PF +-20% 100VDC CER	28480	0160-3878
A3A4C5	0160-3879	7		CAPACITOR-FXD .01UF +-20% 100VDC CER	28480	0160-3879
A3A4C6	0160-2619	3		CAPACITOR-FXD 22UF+-10% 15VDC TA	25088	D22GS1B15K
A3A4C7	0160-3879	7		CAPACITOR-FXD .01UF +-20% 100VDC CER	28480	0160-3879
A3A4C8	0160-3879	7		CAPACITOR-FXD .01UF +-20% 100VDC CER	28480	0160-3879
A3A4C9	0160-3879	7		CAPACITOR-FXD .01UF +-20% 100VDC CER	28480	0160-3879
A3A4C10	0160-4084	8		CAPACITOR-FXD .1UF +-20% 50VDC CER	28480	0160-4084
A3A4C11	0160-4084	8		CAPACITOR-FXD .1UF +-20% 50VDC CER	28480	0160-4084
A3A4C12	0160-0174	8	1	CAPACITOR-FXD .47UF +-20% 25VDC CER	28480	0160-0174
A3A4C13	0140-0191	8		CAPACITOR-FXD 56PF +-5% 300VDC MICA	72136	DM115E560J0300WV1CR
A3A4C14	0121-0446	6		CAPACITOR-V TRMR-CER 4.5-20PF 160V	28480	0121-0446
A3A4C15	0160-0939	4	4	CAPACITOR-FXD 430PF +-5% 300VDC MICA	28480	0160-0939
A3A4C16	0160-2020	8	1	CAPACITOR-FXD 910PF +-5% 100VDC MICA	28480	0160-2020
A3A4C17	0160-4084	8		CAPACITOR-FXD .1UF +-20% 50VDC CER	28480	0160-4084
A3A4C18	0160-0939	4		CAPACITOR-FXD 430PF +-5% 300VDC MICA	28480	0160-0939
A3A4C19	0160-2406	4	1	CAPACITOR-FXD .27UF +-10% 90VDC POLYE	28480	0160-2406
A3A4C20	0160-4084	8		CAPACITOR-FXD .1UF +-20% 50VDC CER	28480	0160-4084
A3A4C21	0160-3878	6		CAPACITOR-FXD 1000PF +-20% 100VDC CER	28480	0160-3878
A3A4C22	0160-4768	5	4	CAPACITOR-FXD 470PF +-5% 100VDC CER	28480	0160-4768
A3A4C24	0160-0570	9	3	CAPACITOR-FXD 220PF +-20% 100VDC CER	20932	5024EM100RD221M
A3A4C27	0160-3878	6		CAPACITOR-FXD 1000PF +-20% 100VDC CER	28480	0160-3878
A3A4C28	0160-3878	6		CAPACITOR-FXD 1000PF +-20% 100VDC CER	28480	0160-3878
A3A4C29	0160-3878	6		CAPACITOR-FXD 1000PF +-20% 100VDC CER	28480	0160-3878
A3A4C30	0160-3878	8		CAPACITOR-FXD 1000PF +-20% 100VDC CER	28480	0160-3878
A3A4C31	0160-2242	8	1	CAPACITOR-FXD 2.4PF +-25PF 500VDC CER	28480	0160-2242
A3A4C32	0160-2250	6	1	CAPACITOR-FXD 5.1PF +-25PF 500VDC CER	28480	0160-2250
A3A4C33	0160-3879	7		CAPACITOR-FXD .01UF +-20% 100VDC CER	28480	0160-3879
A3A4C34	0160-3879	7		CAPACITOR-FXD .01UF +-20% 100VDC CER	28480	0160-3879
A3A4C35	0160-3878	6		CAPACITOR-FXD 1000PF +-20% 100VDC CER	28480	0160-3878
A3A4C36	0160-3878	6		CAPACITOR-FXD 1000PF +-20% 100VDC CER	28480	0160-3878
A3A4C37	0160-2264	2		CAPACITOR-FXD 20PF +-5% 500VDC CER 0+-30	28480	0160-2264
A3A4C38	0160-2264	2		CAPACITOR-FXD 20PF +-5% 500VDC CER 0+-30	28480	0160-2264
A3A4C39	0160-3879	7		CAPACITOR-FXD .01UF +-20% 100VDC CER	28480	0160-3879
A3A4C40	0160-3879	7		CAPACITOR-FXD .01UF +-20% 100VDC CER	28480	0160-3879
A3A4CR1	1901-0040	1		DIODE-SWITCHING 30V 50MA 2NS DO-35	28480	1901-0040
A3A4CR2	1901-0040	1		DIODE-SWITCHING 30V 50MA 2NS DO-35	28480	1901-0040
A3A4CR3	1901-0040	1		DIODE-SWITCHING 30V 50MA 2NS DO-35	28480	1901-0040
A3A4CR4	1901-0039	8	3	DIODE-SWITCHING 50V 300MA 8NS	28480	1901-0039
A3A4CR5	1901-0039	8		DIODE-SWITCHING 50V 300MA 8NS	28480	1901-0039
A3A4CR6	1901-0039	8		DIODE-SWITCHING 50V 300MA 8NS	28480	1901-0039
221A TO 241A A3A4CR7	0122-0065	7	14	DIODE-VVC 29PF 3%	28480	0122-0065
A3A4CR8	0122-0065	7		DIODE-VVC 29PF 3%	28480	0122-0065
241A TO 254A A3A4CR7	0122-0162	5	14	DVVC 29PF 5.0CR	28480	0122-0162
A3A4CR8	0122-0162	6		DVVC 29PF 5.0CR	28480	0122-0162
254A AND ABOVE A3A4CR7	0122-0173	8		DIODE VVC 29PF 10% C3/C25-MIN-5 BVR-30V	28480	0122-0173
A3A4CR8	0122-0173	8		DIODE VVC 29PF 10% C3/C25-MIN-5 BVR-30V	28480	0122-0173

† Refer to Section 7 for update information.

* Factory Selected Component (Refer to Section 5.)

old

Table 6-3. Replaceable Parts

Reference Designation	HP Part Number	C D	Qty.	Description	Mfr. Code	Mfr. Part Number
A3A4J1	1250-1220	0		CONNECTOR-RF SMC M PC 50-OHM	28480	1250-1220
	2190-0124	4		WASHER-LK INTL T NO. 10 .195-IN-ID	28480	2190-0124
	2950-0078	9		NUT-HEX-DBL-CHAM 10-32-THD .067-IN-THK	28480	2950-0078
A3A4J2	1250-1220	0		CONNECTOR-RF SMC M PC 50-OHM	28480	1250-1220
	2190-0124	4		WASHER-LK INTL T NO. 10 .195-IN-ID	28480	2190-0124
	2950-0078	9		NUT-HEX-DBL-CHAM 10-32-THD .067-IN-THK	28480	2950-0078
A3A4L1	9100-2251	0	10	INDUCTOR RF-CH-MLD 220NH 10% .105DX.26LG	28480	9100-2251
A3A4L2	9140-0144	0		INDUCTOR RF-CH-MLD 4.7UH 10% .105DX.26LG	28480	9140-0144
A3A4L3	9140-0144	0		INDUCTOR RF-CH-MLD 4.7UH 10% .105DX.26LG	28480	9140-0144
A3A4L4	9140-0144	0		INDUCTOR RF-CH-MLD 4.7UH 10% .105DX.26LG	28480	9140-0144
A3A4L5	9100-1635	2		INDUCTOR RF-CH-MLD 91UH 5% .166DX.385LG	28480	9100-1635
A3A4L6	9100-1625	0	1	INDUCTOR RF-CH-MLD 33UH 5% .166DX.385LG	28480	9100-1625
A3A4L7	9140-0142	8	3	INDUCTOR RF-CH-MLD 2.2UH 10% .105DX.26LG	28480	9140-0142
A3A4L8	08662-00076	2	2	INDUCTOR, OSC.	28480	08662-00076
A3A4L9	9100-2247	4	11	INDUCTOR RF-CH-MLD 100NH 10% .105DX.26LG	28480	9100-2247
A3A4L10	9100-2251	0		INDUCTOR RF-CH-MLD 220NH 10% .105DX.26LG	28480	9100-2251
A3A4L11	9100-2247	4		INDUCTOR RF-CH-MLD 100NH 10% .105DX.26LG	28480	9100-2247
A3A4L12	9100-2251	0		INDUCTOR RF-CH-MLD 220NH 10% .105DX.26LG	28480	9100-2251
A3A4L13	9100-2247	4		INDUCTOR RF-CH-MLD 100NH 10% .105DX.26LG	28480	9100-2247
A3A4L14	9100-2247	4		INDUCTOR RF-CH-MLD 100NH 10% .105DX.26LG	28480	9100-2247
A3A4L15	9100-2251	0		INDUCTOR RF-CH-MLD 220NH 10% .105DX.26LG	28480	9100-2251
A3A4L16	9100-2251	0		INDUCTOR RF-CH-MLD 220NH 10% .105DX.26LG	28480	9100-2251
A3A4MP1	08662-20061	7	1	COVER, 1/2 END	28480	08662-20061
	2360-0113	2		SCREW-MACH 6-32 .25-IN-LG PAN-HD-POZI	00000	ORDER BY DESCRIPTION
A3A4MP2	5001-0176	0		STRAP, GROUND	28480	5001-0176
A3A4MP3	5001-0176	0		STRAP, GROUND	28480	5001-0176
A3A4Q1	1854-0247	9		TRANSISTOR NPN SI TO-39 PD=1W FT=800MHZ	28480	1854-0247
A3A4Q2	1854-0247	9		TRANSISTOR NPN SI TO-39 PD=1W FT=800MHZ	28480	1854-0247
A3A4Q3	1854-0345	8	6	TRANSISTOR NPN 2N5179 SI TO-72 PD=200MW	04713	2N5179
	1205-0037	0	10	HEAT SINK TO-18-CS	28480	1205-0037
A3A4Q4	1854-0345	8		TRANSISTOR NPN 2N5179 SI TO-72 PD=200MW	04713	2N5179
	1205-0037	0		HEAT SINK TO-18-CS	28480	1205-0037
A3A4Q5	1854-0404	0		TRANSISTOR NPN SI TO-18 PD=380MW	28480	1854-0404
	1205-0037	0		HEAT SINK TO-18-CS	28480	1205-0037
A3A4Q6	1853-0451	5		TRANSISTOR PNP 2N3799 SI TO-18 PD=360MW	01295	2N3799
A3A4Q7	1855-0235	7	3	TRANSISTOR J-FET N-CHAN D-MODE TO-52 SI	28480	1855-0235
A3A4Q8	1853-0451	5		TRANSISTOR PNP 2N3799 SI TO-18 PD=360MW	01295	2N3799
	1205-0037	0		HEAT SINK TO-18-CS	28480	1205-0037
A3A4Q9	1854-0404	0		TRANSISTOR NPN SI TO-18 PD=380MW	28480	1854-0404
A3A4Q10	1853-0451	5		TRANSISTOR PNP 2N3799 SI TO-18 PD=360MW	01295	2N3799
A3A4Q11	1854-0404	0		TRANSISTOR NPN SI TO-18 PD=380MW	28480	1854-0404
A3A4Q12	1853-0012	4	2	TRANSISTOR PNP 2N2904A SI TO-39 PD=300MW	01295	2N2904A
223AA TO 254AA A3A4R1	2100-2514	1	1	RESISTOR-TRMR 20K 10% C SIDE-ADJ 1-TRN	30983	ET50W203
2349A AND ABOVE A3A4R1	2100-2516	3	1	RESISTOR-TRMR 100K 10% C SIDE-ADJ 1-TRN	32997	3329W-1-104
A3A4R2	0757-0424	7	1	RESISTOR 1.1K 1% .125W F TO-04-100	24546	C4-1/8-T0-1101-F
A3A4R3	2100-2574	3	2	RESISTOR-TRMR 500 10% C SIDE-ADJ 1-TRN	30993	ET50X501

† Refer to Section 7 for update information.

* Factory Selected Component (Refer to Section 5.)

pld

Table 6-3. Replaceable Parts

Reference Designation	HP Part Number	C D	Qty.	Description	Mfr. Code	Mfr. Part Number
A3A4R4*	0757-0290	5	5	RESISTOR 6.19K 1% .125W F TC=0+-100	19701	MF4C1/B-T0-6191-F
A3A4R5	0757-0416	7		RESISTOR 511 1% .125W F TC=0+-100	24546	C4-1/B-T0-511R-F
A3A4R6	0757-0416	7		RESISTOR 511 1% .125W F TC=0+-100	24546	C4-1/B-T0-511R-F
A3A4R7	0757-0346	2		RESISTOR 10 1% .125W F TC=0+-100	24546	C4-1/B-T0-10R0-F
A3A4R8	0757-0422	5	3	RESISTOR 909 1% .125W F TC=0+-100	24546	C4-1/B-T0-909R-F
A3A4R9	0757-0290	5		RESISTOR 6.19K 1% .125W F TC=0+-100	19701	MF4C1/B-T0-6191-F
2234A TO 2419A A3A4R10	0698-3155	1		RESISTOR 4.84K 1% .125W F TC=0+-100	24546	C4-1/B-T0-4641-F
2441A TO 2548A A3A4R10	0698-3153	9	4	RESISTOR 3.83K 1% .125W F TC=0+-100	24546	C4-1/B-T0-3831-F
2549A AND ABOVE A3A4R10	0698-3154	0		RESISTOR 4.22K 1% .125W F TC=0+-100	24546	C4-1/B-T0-4221-F
A3A4R11	0757-0442	9		RESISTOR 10K 1% .125W F TC=0+-100	24546	C4-1/B-T0-1002-F
2234A TO 2419A A3A4R12	0698-3156	2	6	RESISTOR 14.7K 1% .125W F TC=0+-100	24546	C4-1/B-T0-1472-F
A3A4R13	0698-3138	8		RESISTOR 17.8K 1% .125W F TC=0+-100	24546	C4-1/B-T0-1782-F
2441A TO 2548A A3A4R12	0698-3136	8		RESISTOR 17.8K 1% .125W F TC=0+-100	24546	C4-1/B-T0-1782-F
A3A4R13	0757-0199	3		RESISTOR 21.5K 1% .125W F TC=0+-100	24546	C4-1/B-T0-2152-F
2549A AND ABOVE A3A4R12	0698-3158	4		RESISTOR 23.7K 1% .125W F TC=0+-100	24546	C4-1/B-T0-2372-F
A3A4R13	0757-0123	3		RESISTOR 34.8K 1% .125W F TC=0+-100	24546	C4-1/B-T0-3482-F
A3A4R14	0698-3157	3	3	RESISTOR 19.6K 1% .125W F TC=0+-100	24546	C4-1/B-T0-1962-F
A3A4R15	0757-0442	9		RESISTOR 10K 1% .125W F TC=0+-100	24546	C4-1/B-T0-1002-F
2234A TO 2419A A3A4R16	0698-3159	5		RESISTOR 28.1K 1% .125W F TC=0+-100	24546	C4-1/B-T0-2812-F
2441A TO 2548A A3A4R16	0698-3156	2		RESISTOR 14.7K 1% .125W F TC=0+-100	24546	C4-1/B-T0-1472-F
2549A AND ABOVE A3A4R16	0698-3160	8		RESISTOR 31.6K 1% .125W F TC=0+-100	24546	C4-1/B-T0-3162-F
A3A4R17	0757-0438	3	8	RESISTOR 5.11K 1% .125W F TC=0+-100	24546	C4-1/B-T0-5111-F
A3A4R18	0757-0438	3		RESISTOR 5.11K 1% .125W F TC=0+-100	24546	C4-1/B-T0-5111-F
2234A TO 2419A A3A4R19	0698-3160	8	3	RESISTOR 31.6K 1% .125W F TC=0+-100	24546	C4-1/B-T0-3162-F
2441A AND ABOVE A3A4R19	0757-0462	3	1	RESISTOR 75K 1% .125W F TC=0+-100	24546	C4-1/B-T0-7502-F
A3A4R20	0698-3444	1	4	RESISTOR 316 1% .125W F TC=0+-100	24546	C4-1/B-T0-316R-F
A3A4R21	0757-0438	3		RESISTOR 5.11K 1% .125W F TC=0+-100	24546	C4-1/B-T0-5111-F
A3A4R22	0698-3156	2		RESISTOR 14.7K 1% .125W F TC=0+-100	24546	C4-1/B-T0-1472-F
A3A4R23	0757-0418	9	7	RESISTOR 619 1% .125W F TC=0+-100	24546	C4-1/B-T0-619R-F
2234A TO 2548A A3A4R24	0757-0394	0		RESISTOR 51.1 1% .125W F TC=0+-100	24546	C4-1/B-T0-51R1-F
A3A4R25	0698-3447	4	3	RESISTOR 422 1% .125W F TC=0+-100	24546	C4-1/B-T0-422R-F
2549A TO 2615A A3A4R24	0698-3447	4		RESISTOR 422 1% .125W F TC=0+-100	24546	C4-1/B-T0-422R-F
A3A4R25	0757-0290	3		RESISTOR 1K 1% .125W F TC=0+-100	24546	C4-1/B-T0-1001-F
2619A AND ABOVE A3A4R24	0698-3432	7	4	RESISTOR 26.1 1% .125W F TC=0+-100	03888	PME55-1/B-T0-26R1-F
A3A4R25	0698-3444	1	4	RESISTOR 316 1% .125W F TC=0+-100	24546	C4-1/B-T0-316R-F

† Refer to Section 7 for update information.

* Factory Selected Component (Refer to Section 5.)

old

Table 6-3. Replaceable Parts

Reference Designation	HP Part Number	C D	Qty.	Description	Mfr. Code	Mfr. Part Number
A3A4R26	0757-0346	2		RESISTOR 10 1% .125W F TC=0+-100	24546	C4-1/B-T0-10R0-F
2234A TO 2419A						
A3A4R27	0698-0084	9		RESISTOR 2.15K 1% .125W F TC=0+-100	24546	C4-1/B-T0-2151-F
A3A4R28	0698-0084	9		RESISTOR 2.15K 1% .125W F TC=0+-100	24546	C4-1/B-T0-2151-F
2441A AND ABOVE						
A3A4R27	0757-0274	5		RESISTOR 1.21K 1% .125W F TC=0+-100	24546	C4-1/B-T0-1211-F
A3A4R28	0757-0274	5		RESISTOR 1.21K 1% .125W F TC=0+-100	24546	C4-1/B-T0-1211-F
A3A4R29	0698-3447	4		RESISTOR 422 1% .125W F TC=0+-100	24546	C4-1/B-T0-422R-F
A3A4R30	0698-3154	0	5	RESISTOR 4.22K 1% .125W F TC=0+-100	24546	C4-1/B-T0-4221-F
A3A4R31	0757-0180	2	2	RESISTOR 31.6 1% .125W F TC=0+-100	28480	0757-0180
A3A4R32	0698-3154	0		RESISTOR 4.22K 1% .125W F TC=0+-100	24546	C4-1/B-T0-4221-F
A3A4R33	0757-0401	0		RESISTOR 100 1% .125W F TC=0+-100	24546	C4-1/B-T0-101-F
A3A4R34	0698-3432	7	4	RESISTOR 26.1 1% .125W F TC=0+-100	03898	PME55-1/B-T0-26R1-F
A3A4R35	0698-0084	9		RESISTOR 2.15K 1% .125W F TC=0+-100	24546	C4-1/B-T0-2151-F
A3A4R36	0698-3152	9	11	RESISTOR 3.48K 1% .125W F TC=0+-100	24546	C4-1/B-T0-3481-F
A3A4R37	0698-0084	8		RESISTOR 2.15K 1% .125W F TC=0+-100	24546	C4-1/B-T0-2151-F
A3A4R38	0698-3152	8		RESISTOR 3.48K 1% .125W F TC=0+-100	24546	C4-1/B-T0-3481-F
A3A4R39	0757-0420	3	11	RESISTOR 750 1% .125W F TC=0+-100	24546	C4-1/B-T0-751-F
A3A4R40	0698-3432	7		RESISTOR 26.1 1% .125W F TC=0+-100	03898	PME55-1/B-T0-26R1-F
A3A4R41	0698-3442	9	3	RESISTOR 237 1% .125W F TC=0+-100	24546	C4-1/B-T0-237R-F
A3A4R42	0757-0420	3		RESISTOR 750 1% .125W F TC=0+-100	24546	C4-1/B-T0-751-F
A3A4R43	0698-3442	9		RESISTOR 237 1% .125W F TC=0+-100	24546	C4-1/B-T0-237R-F
A3A4R44	0698-3152	8		RESISTOR 3.48K 1% .125W F TC=0+-100	24546	C4-1/B-T0-3481-F
A3A4R45	0698-3152	8		RESISTOR 3.48K 1% .125W F TC=0+-100	24546	C4-1/B-T0-3481-F
A3A4R46	0757-0420	3		RESISTOR 750 1% .125W F TC=0+-100	24546	C4-1/B-T0-751-F
A3A4R47	0698-0084	9		RESISTOR 2.15K 1% .125W F TC=0+-100	24546	C4-1/B-T0-2151-F
A3A4R48	0757-0420	3		RESISTOR 750 1% .125W F TC=0+-100	24546	C4-1/B-T0-751-F
A3A4R49	0698-0084	9		RESISTOR 2.15K 1% .125W F TC=0+-100	24546	C4-1/B-T0-2151-F
A3A4R50	0698-3438	3		RESISTOR 147 1% .125W F TC=0+-100	24546	C4-1/B-T0-147R-F
A3A4R51	0757-0401	0		RESISTOR 100 1% .125W F TC=0+-100	24546	C4-1/B-T0-101-F
A3A4R52	0698-3443	0	10	RESISTOR 287 1% .125W F TC=0+-100	24546	C4-1/B-T0-287R-F
A3A4R53	0698-3443	0		RESISTOR 287 1% .125W F TC=0+-100	24546	C4-1/B-T0-287R-F
A3A4R54	0757-0294	9	4	RESISTOR 17.8 1% .125W F TC=0+-100	19701	MF4C1/B-T0-17R8-F
A3A4R55	0757-0294	9		RESISTOR 17.8 1% .125W F TC=0+-100	19701	MF4C1/B-T0-17R8-F
A3A4R56	0698-3443	0		RESISTOR 287 1% .125W F TC=0+-100	24546	C4-1/B-T0-287R-F
A3A4R57	0698-3443	0		RESISTOR 287 1% .125W F TC=0+-100	24546	C4-1/B-T0-287R-F
A3A4T1	08640-80355	0	3	TRANSFORMER, RF BLUE	28480	08640-80355
A3A4TP1	1251-0600	0		CONNECTOR-SGL CONT PIN 1.14-MM-BSC-SZ SQ	28480	1251-0600
A3A4TP2	1251-0600	0		CONNECTOR-SGL CONT PIN 1.14-MM-BSC-SZ SQ	28480	1251-0600
A3A4TP3	1251-0600	0		CONNECTOR-SGL CONT PIN 1.14-MM-BSC-SZ SQ	28480	1251-0600
A3A4TP4	1251-0600	0		CONNECTOR-SGL CONT PIN 1.14-MM-BSC-SZ SQ	28480	1251-0600
A3A4TP5	1251-0600	0		CONNECTOR-SGL CONT PIN 1.14-MM-BSC-SZ SQ	28480	1251-0600
A3A4TP6	1251-0600	0		CONNECTOR-SGL CONT PIN 1.14-MM-BSC-SZ SQ	28480	1251-0600
A3A4TP7	1251-0600	0		CONNECTOR-SGL CONT PIN 1.14-MM-BSC-SZ SQ	28480	1251-0600
A3A4TP8	1251-0600	0		CONNECTOR-SGL CONT PIN 1.14-MM-BSC-SZ SQ	28480	1251-0600
A3A4TP9	1251-0600	0		CONNECTOR-SGL CONT PIN 1.14-MM-BSC-SZ SQ	28480	1251-0600

† Refer to Section 7 for update information.

* Factory Selected Component (Refer to Section 5.)

Table 6-3. Replaceable Parts

Reference Designation	HP Part Number	C D	Qty.	Description	Mfr. Code	Mfr. Part Number
A3A7						
A3A7	08662-60140	7	1	SUM LOOP VCO ASSEMBLY	28480	08662-60140
A3A7C1	0160-3534	1	1	CAPACITOR-FXD 510PF +-5% 100VDC MICA	28480	0160-3534
A3A7C2	0160-4084	8		CAPACITOR-FXD .1UF +-20% 50VDC CER	28480	0160-4084
A3A7C3	0160-4084	8		CAPACITOR-FXD .1UF +-20% 50VDC CER	28480	0160-4084
A3A7C4	0160-5216	0		CAPACITOR-FXD .1UF +-10% 100VDC CER	28480	0160-5216
A3A7C5	0160-4084	8		CAPACITOR-FXD .1UF +-20% 50VDC CER	28480	0160-4084
A3A7C6	0160-0574	3		CAPACITOR-FXD .022UF +-20% 100VDC CER	28480	0160-0574
A3A7C7	0160-3879	7		CAPACITOR-FXD .01UF +-20% 100VDC CER	28480	0160-3879
A3A7C8	0160-2819	3		CAPACITOR-FXD 22UF+-10% 15VDC TA	25088	D22G81B15K
A3A7C9	0160-3879	7		CAPACITOR-FXD .01UF +-20% 100VDC CER	28480	0160-3879
A3A7C10	0160-3879	7		CAPACITOR-FXD .01UF +-20% 100VDC CER	28480	0160-3879
A3A7C11	0160-3879	7		CAPACITOR-FXD .01UF +-20% 100VDC CER	28480	0160-3879
A3A7C12	0160-4084	8		CAPACITOR-FXD .1UF +-20% 50VDC CER	28480	0160-4084
A3A7C13	0160-4084	8		CAPACITOR-FXD .1UF +-20% 50VDC CER	28480	0160-4084
A3A7C14	0160-0127	2		CAPACITOR-FXD 1UF +-20% 25VDC CER	28480	0160-0127
A3A7C15	0160-2208	4	1	CAPACITOR-FXD 330PF +-5% 300VDC MICA	28480	0160-2208
A3A7C16	0160-2207	3	2	CAPACITOR-FXD 300PF +-5% 300VDC MICA	28480	0160-2207
A3A7C17	0160-2207	3		CAPACITOR-FXD 300PF +-5% 300VDC MICA	28480	0160-2207
A3A7C18	0160-4084	8		CAPACITOR-FXD .1UF +-20% 50VDC CER	28480	0160-4084
A3A7C19	0160-3535	2	1	CAPACITOR-FXD 580PF +-5% 300VDC MICA	28480	0160-3535
A3A7C20	0160-0889	3	1	CAPACITOR-FXD .33UF +-10% 80VDC POLYE	28480	0160-0889
A3A7C21	0160-4084	8		CAPACITOR-FXD .1UF +-20% 50VDC CER	28480	0160-4084
A3A7C22	0160-3878	6		CAPACITOR-FXD 1000PF +-20% 100VDC CER	28480	0160-3878
A3A7C23	0160-4768	5		CAPACITOR-FXD 470PF +-5% 100VDC CER	28480	0160-4768
A3A7C25	0160-0570	9		CAPACITOR-FXD 220PF +-20% 100VDC CER	20932	5024EM100RD221M
A3A7C28	0160-3878	6		CAPACITOR-FXD 1000PF +-20% 100VDC CER	28480	0160-3878
A3A7C29	0160-3878	6		CAPACITOR-FXD 1000PF +-20% 100VDC CER	28480	0160-3878
A3A7C30	0160-3878	6		CAPACITOR-FXD 1000PF +-20% 100VDC CER	28480	0160-3878
A3A7C31	0160-3878	6		CAPACITOR-FXD 1000PF +-20% 100VDC CER	28480	0160-3878
A3A7C32	0160-2261	9	2	CAPACITOR-FXD 15PF +-5% 500VDC CER 0+-30	28480	0160-2261
A3A7C33	0160-3878	6		CAPACITOR-FXD 1000PF +-20% 100VDC CER	28480	0160-3878
A3A7C34	0160-3879	7		CAPACITOR-FXD .01UF +-20% 100VDC CER	28480	0160-3879
A3A7C35	0160-3879	7		CAPACITOR-FXD .01UF +-20% 100VDC CER	28480	0160-3879
A3A7C36	0160-2266	4	1	CAPACITOR-FXD 24PF +-5% 500VDC CER 0+-30	28480	0160-2266
A3A7C37	0160-3879	7		CAPACITOR-FXD .01UF +-20% 100VDC CER	28480	0160-3879
A3A7C38	0160-3878	6		CAPACITOR-FXD 1000PF +-20% 100VDC CER	28480	0160-3878
A3A7C39	0160-2261	9		CAPACITOR-FXD 15PF +-5% 500VDC CER 0+-30	28480	0160-2261
A3A7C40	0160-3879	7		CAPACITOR-FXD .01UF +-20% 100VDC CER	28480	0160-3879
A3A7C41	0160-2264	2		CAPACITOR-FXD 20PF +-5% 500VDC CER 0+-30	28480	0160-2264
A3A7CR1	1901-0040	1		DIODE-SWITCHING 30V 50MA 2NS DO-35	28480	1901-0040
A3A7CR2	1901-0040	1		DIODE-SWITCHING 30V 50MA 2NS DO-35	28480	1901-0040
A3A7CR3	1901-0040	1		DIODE-SWITCHING 30V 50MA 2NS DO-35	28480	1901-0040
A3A7CR4	1901-0040	1		DIODE-SWITCHING 30V 50MA 2NS DO-35	28480	1901-0040
A3A7CR5	1901-0040	1		DIODE-SWITCHING 30V 50MA 2NS DO-35	28480	1901-0040
A3A7CR6	1901-0040	1		DIODE-SWITCHING 30V 50MA 2NS DO-35	28480	1901-0040
A3A7CR7	1901-0040	1		DIODE-SWITCHING 30V 50MA 2NS DO-35	28480	1901-0040
A3A7CR8	1901-0040	1		DIODE-SWITCHING 30V 50MA 2NS DO-35	28480	1901-0040
A3A7CR9	1901-0040	1		DIODE-SWITCHING 30V 50MA 2NS DO-35	28480	1901-0040
A3A7CR10	1901-0518	8		DIODE-SM SIG SCHOTTKY	28480	1901-0518

† Refer to Section 7 for update information.

* Factory Selected Component (Refer to Section 5.)

old

Table 6-3. Replaceable Parts

Reference Designation	HP Part Number	C D	Qty.	Description	Mfr. Code	Mfr. Part Number
A3A7CR11	1901-0040	1		DIODE-SWITCHING 30V 50MA 2NS DO-35	29490	1901-0040
A3A7CR12	1901-0040	1		DIODE-SWITCHING 30V 50MA 2NS DO-35	29480	1901-0040
2234A TO 2419A						
A3A7CR13	0122-0065	7		DIODE-VVC 29PF 3%	29480	0122-0065
A3A7CR14	0122-0065	7		DIODE-VVC 29PF 3%	29480	0122-0065
2411A TO 2548A						
A3A7CR13	0122-0162	5		DVVC 29PF 5.0CR	29480	0122-0162
A3A7CR14	0122-0162	5		DVVC 29PF 5.0CR	29480	0122-0162
2549A AND ABOVE						
A3A7CR13	0122-0173	8		DIODE-VVC 29PF 10% C3/C25-MIN=5 BVR=30V	29480	0122-0173
A3A7CR14	0122-0173	8		DIODE-VVC 29PF 10% C3/C25-MIN=5 BVR=30V	29480	0122-0173
A3A7CR15	1901-0518	8		DIODE-SM SIG SCHOTTKY	29490	1901-0518
A3A7CR16	1901-0518	8		DIODE-SM SIG SCHOTTKY	29490	1901-0518
A3A7J1	1250-1220	0		CONNECTOR-RF SMC M PC 50-OHM	29490	1250-1220
	2190-0124	4		WASHER-LK INTL T NO. 10 .195-IN-ID	29480	2190-0124
	2950-0078	9		NUT-HEX-DBL-CHAM 10-32-THD .087-IN-THK	29480	2950-0078
A3A7J2	1250-1220	0		CONNECTOR-RF SMC M PC 50-OHM	29480	1250-1220
	2190-0124	4		WASHER-LK INTL T NO. 10 .195-IN-ID	29480	2190-0124
	2950-0078	9		NUT-HEX-DBL-CHAM 10-32-THD .087-IN-THK	29480	2950-0078
A3A7L1	9100-1630	7	2	INDUCTOR RF-CH-MLD 51UH 5% .168DX.385LG	29480	9100-1630
A3A7L2	9140-0144	0		INDUCTOR RF-CH-MLD 4.7UH 10% .105DX.26LG	29480	9140-0144
A3A7L3	9140-0144	0		INDUCTOR RF-CH-MLD 4.7UH 10% .105DX.26LG	29480	9140-0144
A3A7L4	9140-0144	0		INDUCTOR RF-CH-MLD 4.7UH 10% .105DX.26LG	29480	9140-0144
A3A7L5	9100-1629	4		INDUCTOR RF-CH-MLD 47UH 5% .166DX.385LG	29480	9100-1629
A3A7L6	9100-1630	7		INDUCTOR RF-CH-MLD 51UH 5% .168DX.385LG	29480	9100-1630
A3A7L7	9140-0142	8		INDUCTOR RF-CH-MLD 2.2UH 10% .105DX.26LG	29480	9140-0142
A3A7L8	08662-00078	2		INDUCTOR, OSCILLATOR	29480	08662-00078
A3A7L9	9100-2247	4		INDUCTOR RF-CH-MLD 100NH 10% .105DX.26LG	29480	9100-2247
A3A7L10	9100-2251	0		INDUCTOR RF-CH-MLD 220NH 10% .105DX.26LG	29480	9100-2251
A3A7L11	9100-2247	4		INDUCTOR RF-CH-MLD 100NH 10% .105DX.26LG	29480	9100-2247
A3A7L12	9100-2247	4		INDUCTOR RF-CH-MLD 100NH 10% .105DX.26LG	29480	9100-2247
A3A7L13	9100-2251	0		INDUCTOR RF-CH-MLD 220NH 10% .105DX.26LG	29480	9100-2251
A3A7L14	9100-2251	0		INDUCTOR RF-CH-MLD 220NH 10% .105DX.26LG	29480	9100-2251
A3A7L15	9100-2247	4		INDUCTOR RF-CH-MLD 100NH 10% .105DX.26LG	29480	9100-2247
A3A7L16	9100-2251	0		INDUCTOR RF-CH-MLD 220NH 10% .105DX.26LG	29480	9100-2251
A3A7MP1	08662-00089	7	1	COVER, 1/2 END	29480	08662-00089
A3A7MP2	2360-0113	2		SCREW-MACH 8-32 .25-IN-LG PAN-HD-POZI	00000	ORDER BY DESCRIPTION
A3A7MP3	5001-0178	0		STRAP, GROUND	29480	5001-0178
A3A7Q1	1854-0247	9		TRANSISTOR NPN SI TO-39 PD=1W FT=800MHZ	29480	1854-0247
A3A7Q2	1854-0247	9		TRANSISTOR NPN SI TO-39 PD=1W FT=800MHZ	29480	1854-0247
A3A7Q3	1854-0345	8		TRANSISTOR NPN 2N5179 SI TO-72 PD=200MW	04713	2N5179
	1205-0037	0		HEAT SINK TO-18-CS	29480	1205-0037
A3A7Q4	1854-0345	8		TRANSISTOR NPN 2N5179 SI TO-72 PD=200MW	04713	2N5179
	1205-0037	0		HEAT SINK TO-18-CS	29480	1205-0037
A3A7Q5	1854-0404	0		TRANSISTOR NPN SI TO-18 PD=360MW	29480	1854-0404
	1205-0031	4	1	THERMAL LINK TO-18-CS	29480	1205-0031
A3A7Q6	1854-0404	0		TRANSISTOR NPN SI TO-18 PD=360MW	29480	1854-0404
A3A7Q7	1853-0451	5		TRANSISTOR PNP 2N3799 SI TO-18 PD=360MW	01295	2N3799
A3A7Q8	1855-0235	7		TRANSISTOR J-FET N-CHAN D-MODE TO-52 SI	29480	1855-0235
A3A7Q9	1853-0451	5		TRANSISTOR PNP 2N3799 SI TO-18 PD=360MW	01295	2N3799
	1205-0037	0		HEAT SINK TO-18-CS	29480	1205-0037
A3A7Q10	1853-0451	5		TRANSISTOR PNP 2N3799 SI TO-18 PD=360MW	01295	2N3799

† Refer to Section 7 for update information.

* Factory Selected Component (Refer to Section 5.)

Table 6-3. Replaceable Parts

Reference Designation	HP Part Number	C D	Qty.	Description	Mfr. Code	Mfr. Part Number
A3A7Q11	1854-0404	0		TRANSISTOR NPN SI TO-18 PD=360MW	29490	1854-0404
A3A7Q12	1853-0012	4		TRANSISTOR PNP 2N2904A SI TO-39 PD=600MW	01295	2N2904A
A3A7R1	0698-0094	9	12	RESISTOR 2.15K 1% .125W F TC=0+-100	24546	C4-1/8-T0-2151-F
A3A7R2	2100-2517	4		RESISTOR-TRMR 50K 10% C SIDE-ADJ 1-TRN	30983	ET50X503
A3A7R3	2100-2574	3		RESISTOR-TRMR 500 10% C SIDE-ADJ 1-TRN	30983	ET50X501
A3A7R4	0698-0092	7	4	RESISTOR 464 1% .125W F TC=0+-100	24546	C4-1/8-T0-4640-F
2234A TO 2548A A3A7R5	0698-3151	7	4	RESISTOR 2.87K 1% .125W F TC=0+-100	24546	C4-1/8-T0-2871-F
2549A AND ABOVE A3A7R5*	0757-0438	3		RESISTOR 5.11K 1% .125W F TC=0+-100	24546	C4-1/8-T0-5111-F
A3A7R6	0757-0346	2		RESISTOR 10 1% .125W F TC=0+-100	24546	C4-1/8-T0-10R0-F
A3A7R7	0757-0422	5		RESISTOR 909 1% .125W F TC=0+-100	24546	C4-1/8-T0-909R-F
A3A7R8	0757-0422	5		RESISTOR 909 1% .125W F TC=0+-100	24546	C4-1/8-T0-909R-F
A3A7R9	0698-0092	7		RESISTOR 464 1% .125W F TC=0+-100	24546	C4-1/8-T0-4640-F
2234A TO 2548A A3A7R10	0757-0439	4		RESISTOR 6.81K 1% .125W F TC=0+-100	24546	C4-1/8-T0-6811-F
2549A AND ABOVE A3A7R10	0757-0439	3		RESISTOR 5.11K 1% .125W F TC=0+-100	24546	C4-1/8-T0-5111-F
A3A7R11	0757-0442	9		RESISTOR 10K 1% .125W F TC=0+-100	24546	C4-1/8-T0-1002-F
2234A TO 2419A A3A7R12	0698-3155	1		RESISTOR 4.64K 1% .125W F TC=0+-100	24546	C4-1/8-T0-4641-F
A3A7R13	0698-3156	2		RESISTOR 14.7K 1% .125W F TC=0+-100	24546	C4-1/8-T0-1472-F
2441A TO 2549A A3A7R12	0698-3153	9		RESISTOR 3.83K 1% .125W F TC=0+-100	24546	C4-1/8-T0-3831-F
A3A7R13	0698-3138	9		RESISTOR 17.8K 1% .125W F TC=0+-100	24546	C4-1/8-T0-1782-F
2549A AND ABOVE A3A7R12	0698-3154	0		RESISTOR 4.22K 1% .125W F TC=0+-100	24546	C4-1/8-T0-4221-F
A3A7R13	0757-0189	3		RESISTOR 21.5K 1% .125W F TC=0+-100	24546	C4-1/8-T0-2152-F
A3A7R14	0757-0442	9		RESISTOR 10K 1% .125W F TC=0+-100	24546	C4-1/8-T0-1002-F
2234A TO 2419A A3A7R15	0698-3136	8		RESISTOR 17.8K 1% .125W F TC=0+-100	24546	C4-1/8-T0-1782-F
2441A TO 2548A A3A7R15	0757-0199	3		RESISTOR 21.5K 1% .125W F TC=0+-100	24546	C4-1/8-T0-2152-F
2549A AND ABOVE A3A7R15	0757-0123	3		RESISTOR 34.8K 1% .125W F TC=0+-100	24546	C4-1/8-T0-3482-F
A3A7R16	0698-3157	3		RESISTOR 19.6K 1% .125W F TC=0+-100	24546	C4-1/8-T0-1962-F
2234A TO 2419A AND 2549A AND ABOVE A3A7R17	0698-3159	5		RESISTOR 26.1K 1% .125W F TC=0+-100	24546	C4-1/8-T0-2612-F
2441A TO 2548A A3A7R17	0698-3156	2		RESISTOR 14.7K 1% .125W F TC=0+-100	24546	C4-1/8-T0-1472-F
A3A7R18	0757-0439	3		RESISTOR 5.11K 1% .125W F TC=0+-100	24546	C4-1/8-T0-5111-F
A3A7R19	0757-0438	3		RESISTOR 5.11K 1% .125W F TC=0+-100	24546	C4-1/8-T0-5111-F
2234A TO 2419A A3A7R20	0698-3160	8		RESISTOR 31.6K 1% .125W F TC=0+-100	24546	C4-1/8-T0-3162-F
2441A TO 2548A A3A7R20	0757-0462	3	1	RESISTOR 75K 1% .125W F TC=0+-100	24546	C4-1/8-T0-7502-F
2549A AND ABOVE A3A7R20	0757-0464	5	1	RESISTOR 30.9K 1% .125W F TC=0+-100	24546	C4-1/8-T0-3092-F

† Refer to Section 7 for update information.

* Factory Selected Component (Refer to Section 5.)

Table 6-3. Replaceable Parts

old

Reference Designation	HP Part Number	C D	Qty.	Description	Mfr. Code	Mfr. Part Number
A3A7R21	0698-3444	1		RESISTOR 316 1% .125W F TC=0+-100	24546	C4-1/8-T0-316R-F
A3A7R22	0757-0438	3		RESISTOR 5.11K 1% .125W F TC=0+-100	24546	C4-1/8-T0-5111-F
A3A7R23	0698-3156	2		RESISTOR 14.7K 1% .125W F TC=0+-100	24546	C4-1/8-T0-1472-F
A3A7R24	0757-0180	2		RESISTOR 31.6 1% .125W F TC=0+-100	2B480	0757-0180
A3A7R25	0757-0418	9		RESISTOR 819 1% .125W F TC=0+-100	24546	C4-1/8-T0-619R-F
A3A7R26	0757-0280	3		RESISTOR 1K 1% .125W F TC=0+-100	24546	C4-1/8-T0-1001-F
A3A7R27*	0757-0485	6	3	RESISTOR 100K 1% .125W F TC=0+-100	24546	C4-1/8-T0-1003-F
2234A TO 2447A A3A7R28	0757-0428	1	3	RESISTOR 1.62K 1% .125W F TC=0+-100	24546	C4-1/8-T0-1621-F
2447A AND ABOVE A3A7R28	0757-0274	5		RESISTOR 1.21K 1% .125W F TC=0+-100	24546	C4-1/8-T0-1211-F
A3A7R29	0757-0280	3		RESISTOR 1K 1% .125W F TC=0+-100	24546	C4-1/8-T0-1001-F
2234A TO 2447A A3A7R30	0757-0428	1		RESISTOR 1.62K 1% .125W F TC=0+-100	24546	C4-1/8-T0-1621-F
2447A AND ABOVE A3A7R30	0757-0274	5		RESISTOR 1.21K 1% .125W F TC=0+-100	24546	C4-1/8-T0-1211-F
A3A7R31	0698-3154	0		RESISTOR 4.22K 1% .125W F TC=0+-100	24546	C4-1/8-T0-4221-F
A3A7R32	0757-0399	5	1	RESISTOR 82.5 1% .125W F TC=0+-100	24546	C4-1/8-T0-82R5-F
A3A7R33	0698-3154	0		RESISTOR 4.22K 1% .125W F TC=0+-100	24546	C4-1/8-T0-4221-F
A3A7R34	0757-0401	0		RESISTOR 100 1% .125W F TC=0+-100	24546	C4-1/8-T0-101-F
A3A7R35	0757-0280	3		RESISTOR 1K 1% .125W F TC=0+-100	24546	C4-1/8-T0-1001-F
A3A7R36	0698-3432	7		RESISTOR 26.1 1% .125W F TC=0+-100	03888	PME55-1/8-T0-26R1-F
A3A7R37	0698-0084	9		RESISTOR 2.15K 1% .125W F TC=0+-100	24546	C4-1/8-T0-2151-F
A3A7R38	0698-3152	8		RESISTOR 3.48K 1% .125W F TC=0+-100	24546	C4-1/8-T0-3481-F
A3A7R39	0698-3152	8		RESISTOR 3.48K 1% .125W F TC=0+-100	24546	C4-1/8-T0-3481-F
A3A7R40	0698-0084	9		RESISTOR 2.15K 1% .125W F TC=0+-100	24546	C4-1/8-T0-2151-F
A3A7R41	0757-0420	3		RESISTOR 750 1% .125W F TC=0+-100	24546	C4-1/8-T0-751-F
A3A7R42	0698-3432	7		RESISTOR 26.1 1% .125W F TC=0+-100	03888	PME55-1/8-T0-26R1-F
A3A7R43	0757-0420	3		RESISTOR 750 1% .125W F TC=0+-100	24546	C4-1/8-T0-751-F
A3A7R44	0698-3439	4		RESISTOR 178 1% .125W F TC=0+-100	24546	C4-1/8-T0-178R-F
A3A7R45	0757-0405	4	1	RESISTOR 162 1% .125W F TC=0+-100	24546	C4-1/8-T0-162R-F
A3A7R46	0698-3152	8		RESISTOR 3.48K 1% .125W F TC=0+-100	24546	C4-1/8-T0-3481-F
A3A7R47	0757-0420	3		RESISTOR 750 1% .125W F TC=0+-100	24546	C4-1/8-T0-751-F
A3A7R48	0698-0084	9		RESISTOR 2.15K 1% .125W F TC=0+-100	24546	C4-1/8-T0-2151-F
A3A7R49	0698-3152	8		RESISTOR 3.48K 1% .125W F TC=0+-100	24546	C4-1/8-T0-3481-F
A3A7R50	0757-0420	3		RESISTOR 750 1% .125W F TC=0+-100	24546	C4-1/8-T0-751-F
A3A7R51	0698-3438	3		RESISTOR 147 1% .125W F TC=0+-100	24546	C4-1/8-T0-147R-F
A3A7R52	0698-0084	9		RESISTOR 2.15K 1% .125W F TC=0+-100	24546	C4-1/8-T0-2151-F
A3A7R53	0698-3443	0		RESISTOR 287 1% .125W F TC=0+-100	24546	C4-1/8-T0-287R-F
A3A7R54	0757-0294	9		RESISTOR 17.8 1% .125W F TC=0+-100	18701	MF4C1/8-T0-17R8-F
A3A7R55	0757-0401	9		RESISTOR 100 1% .125W F TC=0+-100	24546	C4-1/8-T0-101-F
A3A7R56	0698-3443	0		RESISTOR 287 1% .125W F TC=0+-100	24546	C4-1/8-T0-287R-F
A3A7T1	08640-60355	0		TRANSFORMER, RF BLUE	28480	08640-60355
A3A7TP1	1251-0800	0		CONNECTOR-SGL CONT PIN 1.14-MM-BSC-SZ SQ	28480	1251-0800
A3A7TP2	1251-0800	0		CONNECTOR-SGL CONT PIN 1.14-MM-BSC-SZ SQ	28480	1251-0800
A3A7TP3	1251-0800	0		CONNECTOR-SGL CONT PIN 1.14-MM-BSC-SZ SQ	28480	1251-0800
A3A7TP4	1251-0800	0		CONNECTOR-SGL CONT PIN 1.14-MM-BSC-SZ SQ	28480	1251-0800
A3A7TP5	1251-0800	0		CONNECTOR-SGL CONT PIN 1.14-MM-BSC-SZ SQ	28480	1251-0800
A3A7TP6	1251-0800	0		CONNECTOR-SGL CONT PIN 1.14-MM-BSC-SZ SQ	28480	1251-0800

† Refer to Section 7 for update information.

* Factory Selected Component (Refer to Section 5.)

Table 6-3. Replaceable Parts

Reference Designation	HP Part Number	C D	Qty.	Description	Mfr. Code	Mfr. Part Number
A3A8R21	0898-7188	8		RESISTOR 10 1% .05W F TC=0+-100	24546	C3-1/8-TO-10R-F
A3A8R22	0898-7198	0	2	RESISTOR 26.1 1% .05W F TC=0+-100	24546	C3-1/8-TO-26R1-F
A3A8R23	0898-7198	0		RESISTOR 26.1 1% .05W F TC=0+-100	24546	C3-1/8-TO-26R1-F
A3A8R24	0898-7210	7	1	RESISTOR 82.5 1% .05W F TC=0+-100	24546	C3-1/8-TO-82R5-F
A3A8R25	0757-0416	7		RESISTOR 511 1% .125W F TC=0+-100	24546	C4-1/8-TO-511R-F
A3A8R26	0898-7220	9		RESISTOR 215 1% .05W F TC=0+-100	24546	C3-1/8-TO-215R-F
A3A8R27	0698-7260	7		RESISTOR 10K 1% .05W F TC=0+-100	24546	C3-1/8-TO-1002-F
A3A8R28	0898-7220	9		RESISTOR 215 1% .05W F TC=0+-100	24546	C3-1/8-TO-215R-F
A3A8R29	0898-7213	0		RESISTOR 110 1% .05W F TC=0+-100	24546	C3-1/8-TO-110R-F
A3A8R30	0757-0416	7		RESISTOR 511 1% .125W F TC=0+-100	24546	C4-1/8-TO-511R-F
A3A8R31	0898-7229	8		RESISTOR 511 1% .05W F TC=0+-100	24546	C3-1/8-TO-511R-F
A3A8R32	0898-7205	0		RESISTOR 51.1 1% .05W F TC=0+-100	24546	C3-1/8-TO-51R1-F
A3A8R33	0898-7205	0		RESISTOR 51.1 1% .05W F TC=0+-100	24546	C3-1/8-TO-51R1-F
A3A8R34	0898-7212	9		RESISTOR 100 1% .05W F TC=0+-100	24546	C3-1/8-TO-100R-F
A3A8T1	08640-80355	0		TRANSFORMER, RF BLUE	28480	08640-80355
A3A8TP2	1251-0600	0		CONNECTOR-SGL CONT PIN 1.14-MM-BSC-SZ SQ	28480	1251-0600
A3A8TP3	1251-0600	0		CONNECTOR-SGL CONT PIN 1.14-MM-BSC-SZ SQ	28480	1251-0600
A3A8TP4	1251-0600	0		CONNECTOR-SGL CONT PIN 1.14-MM-BSC-SZ SQ	28480	1251-0600
A3A8U1	1826-0372	2		IC, LIMITER	28480	1826-0372
A3A8U2	1826-0372	2		IC, LIMITER	28480	1826-0372
A3A8U3	1820-3517	1		IC DIVR ECL VAR-MODULO	28480	1820-3517

†Refer to Section 7 for update information.

*Factory Selected Component (Refer to Section 5).

old

Table 6-3. Replaceable Parts

Reference Designation	HP Part Number	C D	Qty.	Description	Mfr. Code	Mfr. Part Number
<p>A4A2</p> <p>NOTE The A4A2 Assembly and its sub-assemblies are not recommended for field repair.</p>						
2234A TO 2245A A4A2 †	08663-60316	0	2	DOUBLER #2 ASSEMBLY	28480	08663-60316
2248A AND ABOVE A4A2	08663-60351	3	1	DOUBLER #2 ASSEMBLY	28480	08663-60351
A4A2	08663-60100	0		DOUBLER #2 ASSEMBLY (RESTORED)	28480	08663-60100
A4A2C1	0160-4387	4	15	CAPACITOR-FXD 47PF +-5% 200VDC CER 0+-30	28480	0160-4387
A4A2C2	0160-4387	4		CAPACITOR-FXD 47PF +-5% 200VDC CER 0+-30	28480	0160-4387
A4A2C3	0160-4387	4		CAPACITOR-FXD 47PF +-5% 200VDC CER 0+-30	28480	0160-4387
A4A2C4	0160-4387	4		CAPACITOR-FXD 47PF +-5% 200VDC CER 0+-30	28480	0160-4387
A4A2C5	0160-4387	4		CAPACITOR-FXD 47PF +-5% 200VDC CER 0+-30	28480	0160-4387
A4A2C6	0160-4387	4		CAPACITOR-FXD 47PF +-5% 200VDC CER 0+-30	28480	0160-4387
A4A2C7	0160-3875	3		CAPACITOR-FXD 22PF +-5% 200VDC CER 0+-30	28480	0160-3875
A4A2C8	0160-4387	4		CAPACITOR-FXD 47PF +-5% 200VDC CER 0+-30	28480	0160-4387
A4A2C9	0160-4387	4		CAPACITOR-FXD 47PF +-5% 200VDC CER 0+-30	28480	0160-4387
A4A2C10	0160-4387	4		CAPACITOR-FXD 47PF +-5% 200VDC CER 0+-30	28480	0160-4387
A4A2C11	0160-4387	4		CAPACITOR-FXD 47PF +-5% 200VDC CER 0+-30	28480	0160-4387
A4A2C12	0160-4387	4		CAPACITOR-FXD 47PF +-5% 200VDC CER 0+-30	28480	0160-4387
A4A2C13	0160-4387	4		CAPACITOR-FXD 47PF +-5% 200VDC CER 0+-30	28480	0160-4387
A4A2C14	0160-4387	4		CAPACITOR-FXD 47PF +-5% 200VDC CER 0+-30	28480	0160-4387
A4A2C15	0160-4387	4		CAPACITOR-FXD 47PF +-5% 200VDC CER 0+-30	28480	0160-4387
A4A2C16	0160-4387	4		CAPACITOR-FXD 47PF +-5% 200VDC CER 0+-30	28480	0160-4387
A4A2C17	0160-0116	1	3	CAPACITOR-FXD 6.8UF+-10% 35VDC TA	56289	150D685X9035B2
A4A2C18	0160-1746	5		CAPACITOR-FXD 15UF+-10% 20VDC TA	56289	150D155X9020B2
A4A2C19	0160-1746	5		CAPACITOR-FXD 15UF+-10% 20VDC TA	56289	150D155X9020B2
A4A2C20	0160-4801	7	1	CAPACITOR-FXD 100PF +-5% 100VDC CER	28480	0160-4801
A4A2C21	0160-0116	1		CAPACITOR-FXD 6.8UF+-10% 35VDC TA	56289	150D685X9035B2
A4A2C22	0160-2620	6		CAPACITOR-FXD 2.2UF+-10% 50VDC TA	25088	D2R2G61E50K
A4A2C23	0160-1745	4	3	CAPACITOR-FXD 1.5UF+-10% 20VDC TA	56289	150D155X9020A2
A4A2C24	0160-1745	4		CAPACITOR-FXD 1.5UF+-10% 20VDC TA	56289	150D155X9020A2
A4A2C25	0160-0116	1		CAPACITOR-FXD 6.8UF+-10% 35VDC TA	56289	150D685X9035B2
A4A2C26	0160-0197	8		CAPACITOR-FXD 2.2UF+-10% 20VDC TA	56289	150D225X9020A2
A4A2C27	0160-1745	4		CAPACITOR-FXD 1.5UF+-10% 20VDC TA	56289	150D155X9020A2
A4A2C28	0160-0553	0	1	CAPACITOR-FXD 22UF+-20% 25VDC TA	28480	0160-0553
A4A2C29	0160-4814	2	1	CAPACITOR-FXD 150PF +-5% 100VDC CER	28480	0160-4814
A4A2CR1	1901-0050	3		DIODE-SWITCHING 80V 200MA 2NS DO-35	28480	1901-0050
A4A2CR2	1901-0050	3		DIODE-SWITCHING 80V 200MA 2NS DO-35	28480	1901-0050
A4A2CR3	1901-0050	3		DIODE-SWITCHING 80V 200MA 2NS DO-35	28480	1901-0050
A4A2CR4	1901-0518	8		DIODE-5M SIG SCHOTTKY	28480	1901-0518
A4A2L1	9100-3922	4		INDUCTOR-FIXED 120-1300 HZ	28480	9100-3922
A4A2L2	9100-3922	4		INDUCTOR-FIXED 120-1300 HZ	28480	9100-3922
A4A2L3	9100-3922	4		INDUCTOR-FIXED 120-1300 HZ	28480	9100-3922
A4A2L4	9100-3922	4		INDUCTOR-FIXED 120-1300 HZ	28480	9100-3922
A4A2L5	9100-3922	4		INDUCTOR-FIXED 120-1300 HZ	28480	9100-3922
A4A2L6	9100-3922	4		INDUCTOR-FIXED 120-1300 HZ	28480	9100-3922
A4A2L7	9100-3922	4		INDUCTOR-FIXED 120-1300 HZ	28480	9100-3922

† Refer to Section 7 for update information.

* Factory Selected Component (Refer to Section 5.)

Table 6-3. Replaceable Parts

old

Reference Designation	HP Part Number	C D	Qty.	Description	Mfr. Code	Mfr. Part Number
A4A2MP1	08663-00047	9	1	CVR FULL *2 DBLR	28480	08663-00047
	08663-00064	9	1	GSKT FL *2 DBLR	28480	08663-00064
	2200-0105	4	1	SCREW-MACH 4-40 .312-IN-LG PAN-HD-POZI	00000	ORDER BY DESCRIPTION
	5001-0176	0		GROUND STRAP	28480	5001-0176
A4A2MP2	5001-0176	0		GROUND STRAP	28480	5001-0176
A4A2MP3	5001-0176	0		GROUND STRAP	28480	5001-0176
A4A2MP4	08662-20285	7	1	CONTACT-FINGER	28480	08662-20285
A4A2Q2	1853-0459	3		TRANSISTOR PNP SI PD=625MW FT=200MHZ	28480	1853-0459
A4A2Q3	1854-0810	2		TRANSISTOR NPN SI PD=625MW FT=200MHZ	28480	1854-0810
A4A2Q4	1854-0637	1		TRANSISTOR NPN 2N2219A SI TO-5 PD=300MW	01295	2N2219A
	1200-0173	5	1	INSULATOR-XSTR DAP-GL	28480	1200-0173
	1205-0011	0		HEAT SINK TO-5/TO-39-CS	28480	1205-0011
A4A2Q5	1853-0459	3		TRANSISTOR PNP SI PD=625MW FT=200MHZ	28480	1853-0459
A4A2Q6	1853-0459	3		TRANSISTOR PNP SI PD=625MW FT=200MHZ	28480	1853-0459
A4A2R1	0698-7232	3		RESISTOR 681 1% .05W F TC=0+-100	24546	C3-1/8-TO-681R-F
A4A2R2	0698-7232	3		RESISTOR 681 1% .05W F TC=0+-100	24546	C3-1/8-TO-681R-F
A4A2R3	0698-7232	3		RESISTOR 681 1% .05W F TC=0+-100	24546	C3-1/8-TO-681R-F
A4A2R4	0698-7232	3		RESISTOR 681 1% .05W F TC=0+-100	24546	C3-1/8-TO-681R-F
A4A2R5	0698-7232	3		RESISTOR 681 1% .05W F TC=0+-100	24546	C3-1/8-TO-681R-F
A4A2R6	0698-7232	3		RESISTOR 681 1% .05W F TC=0+-100	24546	C3-1/8-TO-681R-F
A4A2R7	0698-7232	3		RESISTOR 681 1% .05W F TC=0+-100	24546	C3-1/8-TO-681R-F
A4A2R8	0698-7232	3		RESISTOR 681 1% .05W F TC=0+-100	24546	C3-1/8-TO-681R-F
A4A2R9	0698-7232	3		RESISTOR 681 1% .05W F TC=0+-100	24546	C3-1/8-TO-681R-F
A4A2R10	0757-0288	1	1	RESISTOR 9.09K 1% .125W F TC=0+-100	19701	MF4C1/8-TO-9091-F
A4A2R11	0757-0442	9		RESISTOR 10K 1% .125W F TC=0+-100	24546	C4-1/8-TO-1002-F
A4A2R12	0757-0290	5		RESISTOR 6.19K 1% .125W F TC=0+-100	19701	MF4C1/8-TO-6191-F
A4A2R13	2100-3273	1	1	RESISTOR-TRMR 2K 10% C SIDE-ADJ 1-TRN	28480	2100-3273
A4A2R14	0757-0444	1	1	RESISTOR 12.1K 1% .125W F TC=0+-100	24546	C4-1/8-TO-1212-F
A4A2R15	0757-0416	7		RESISTOR 511 1% .125W F TC=0+-100	24546	C4-1/8-TO-511R-F
A4A2R16	0757-0280	3		RESISTOR 1K 1% .125W F TC=0+-100	24546	C4-1/8-TO-1001-F
A4A2R17	0757-0290	3		RESISTOR 1K 1% .125W F TC=0+-100	24546	C4-1/8-TO-1001-F
A4A2R18	0757-0440	7		RESISTOR 7.5K 1% .125W F TC=0+-100	24546	C4-1/8-TO-7501-F
A4A2R20	0698-3398	4	2	RESISTOR 46.4 1% .5W F TC=0+-100	28480	0698-3398
A4A2R21	0698-0024	7	1	RESISTOR 2.61K 1% .5W F TC=0+-100	28480	0698-0024
A4A2R22	0698-3398	4		RESISTOR 46.4 1% .5W F TC=0+-100	28480	0698-3398
A4A2R23	0757-0159	5	1	RESISTOR 1K 1% .5W F TC=0+-100	28480	0757-0159
A4A2R24	0757-0416	7		RESISTOR 511 1% .125W F TC=0+-100	24546	C4-1/8-TO-511R-F
A4A2R25	0757-0420	3		RESISTOR 750 1% .125W F TC=0+-100	24546	C4-1/8-TO-751-F
A4A2R26	2100-3103	6		RESISTOR-TRMR 10K 10% C SIDE-ADJ 17-TRN	02111	43P103
A4A2R27	2100-3103	6		RESISTOR-TRMR 10K 10% C SIDE-ADJ 17-TRN	02111	43P103
A4A2R28	0698-3153	9		RESISTOR 3.83K 1% .125W F TC=0+-100	24546	C4-1/8-TO-3831-F
A4A2R29	0698-3153	9		RESISTOR 3.83K 1% .125W F TC=0+-100	24546	C4-1/8-TO-3831-F
A4A2R30	2100-3162	7	2	RESISTOR-TRMR 200K 10% C SIDE-ADJ 17-TRN	02111	43P204
A4A2R31	0698-3160	8		RESISTOR 31.6K 1% .125W F TC=0+-100	24546	C4-1/8-TO-3162-F
A4A2R32	2100-3162	7		RESISTOR-TRMR 200K 10% C SIDE-ADJ 17-TRN	02111	43P204
A4A2R33	0757-0458	7		RESISTOR 51.1K 1% .125W F TC=0+-100	24546	C4-1/8-TO-5112-F
A4A2R34	0757-0442	9		RESISTOR 10K 1% .125W F TC=0+-100	24546	C4-1/8-TO-1002-F
A4A2R35	0757-0421	4		RESISTOR 825 1% .125W F TC=0+-100	24546	C4-1/8-TO-825R-F
A4A2R36	2100-3352	7	2	RESISTOR-TRMR 1K 10% C TOP-ADJ 1-TRN	28480	2100-3352
A4A2R37	0757-0458	7		RESISTOR 51.1K 1% .125W F TC=0+-100	24546	C4-1/8-TO-5112-F

† Refer to Section 7 for update information.

* Factory Selected Component (Refer to Section 5.)

Table 6-3. Replaceable Parts

Reference Designation	HP Part Number	C D	Qty.	Description	Mfr. Code	Mfr. Part Number
A4A2R38	0757-0442	9		RESISTOR 10K 1% .125W F TC=0+-100	24546	C4-1/8-T0-1002-F
A4A2R39	0698-8812	7	3	RESISTOR 1 1% .125W F TC=0+-100	28480	0698-8812
A4A2R40	0757-0280	3		RESISTOR 1K 1% .125W F TC=0+-100	24546	C4-1/8-T0-1001-F
A4A2R41	0698-8812	7		RESISTOR 1 1% .125W F TC=0+-100	28480	0698-8812
A4A2R42	0757-0458	7		RESISTOR 51.1K 1% .125W F TC=0+-100	24546	C4-1/8-T0-5112-F
A4A2R43	0757-0442	9		RESISTOR 10K 1% .125W F TC=0+-100	24546	C4-1/8-T0-1002-F
A4A2R44	0757-0442	9		RESISTOR 10K 1% .125W F TC=0+-100	24546	C4-1/8-T0-1002-F
A4A2R45	0757-0289	2	1	RESISTOR 13.3K 1% .125W F TC=0+-100	19701	MF4C1/8-T0-1332-F
A4A2R46	0757-0421	4		RESISTOR 825 1% .125W F TC=0+-100	24546	C4-1/8-T0-825R-F
A4A2R47	2100-3352	7		RESISTOR-TRMR 1K 10% C TOP-ADJ 1-TRN	28480	2100-3232
A4A2R48	0757-0458	7		RESISTOR 51.1K 1% .125W F TC=0+-100	24546	C4-1/8-T0-5112-F
A4A2R49	0698-8812	7		RESISTOR 1 1% .125W F TC=0+-100	28480	0698-8812
A4A2R50	0757-0442	9		RESISTOR 10K 1% .125W F TC=0+-100	24546	C4-1/8-T0-1002-F
A4A2R51	0757-0418	9		RESISTOR 819 1% .125W F TC=0+-100	24546	C4-1/8-T0-819R-F
A4A2R52	0757-0428	1		RESISTOR 1.62K 1% .125W F TC=0+-100	24546	C4-1/8-T0-1621-F
A4A2TP1	1251-0800	0		CONNECTOR-SGL CONT PIN 1.14-MM-BSC-SZ SQ	28480	1251-0800
A4A2TP2	1251-0800	0		CONNECTOR-SGL CONT PIN 1.14-MM-BSC-SZ SQ	28480	1251-0800
A4A2TP3	1251-0800	0		CONNECTOR-SGL CONT PIN 1.14-MM-BSC-SZ SQ	28480	1251-0800
A4A2TP4	1251-0800	0		CONNECTOR-SGL CONT PIN 1.14-MM-BSC-SZ SQ	28480	1251-0800
A4A2TP5	1251-0800	0		CONNECTOR-SGL CONT PIN 1.14-MM-BSC-SZ SQ	28480	1251-0800
A4A2TP6	1251-0800	0		CONNECTOR-SGL CONT PIN 1.14-MM-BSC-SZ SQ	28480	1251-0800
A4A2TP7				NOT ASSIGNED		
A4A2TP8	1251-0800	0		CONNECTOR-SGL CONT PIN 1.14-MM-BSC-SZ SQ	28480	1251-0800
A4A2TP9	1251-0800	0		CONNECTOR-SGL CONT PIN 1.14-MM-BSC-SZ SQ	28480	1251-0800
A4A2TP10	1251-0800	0		CONNECTOR-SGL CONT PIN 1.14-MM-BSC-SZ SQ	28480	1251-0800
A4A2TP11	1251-0800	0		CONNECTOR-SGL CONT PIN 1.14-MM-BSC-SZ SQ	28480	1251-0800
A4A2TP12	1251-0800	0		CONNECTOR-SGL CONT PIN 1.14-MM-BSC-SZ SQ	28480	1251-0800
A4A2TP13	1251-0800	0		CONNECTOR-SGL CONT PIN 1.14-MM-BSC-SZ SQ	28480	1251-0800
A4A2U1			1	NOT ASSIGNED		
A4A2U2	1826-0785	1		IC OP AMP LOW-BIAS-H-IMPD DUAL 8-DIP-C	01295	TL072ACJG
A4A2U3				NOT FIELD REPLACEABLE		
A4A2U4	1816-1008	2	1	IC TTL S 4096 (4K) PROM 75-NS 3-S	01295	TBP28342J
A4A2U5	1200-0626	3	1	SOCKET-IC 20-CONT DIP-SLDR	28480	1200-0626
A4A2U6	1826-0921	7		D/A 10-BIT 16-CBRZ/SDR CMOS	28480	1826-0921
A4A2U6	1820-0471	0	1	IC INV TTL HEX 1-INP	01295	SN7406N
A4A2U7	1826-0753	3		IC OP AMP LOW-BIAS-H-IMPD QUAD 14-DIP-C	04713	MC34004BL
A4A2VR1	1902-0961	7	1	DIODE-ZNR 13V 5% DO-35 PD=.4W TC=+.082%	28480	1902-0961
A4A2VR2	1902-0962	8	1	DIODE-ZNR 15V 5% DO-35 PD=.4W TC=+.087%	28480	1902-0962
A4A2VR3	1902-0951	5		DIODE-ZNR 5.1V 5% DO-35 PD=.4W TC=+.035%	28480	1902-0951
A4A2VR4	1902-0951	5		DIODE-ZNR 5.1V 5% DO-35 PD=.4W TC=+.035%	28480	1902-0951
A4A2VR5	1902-0951	5		DIODE-ZNR 5.1V 5% DO-35 PD=.4W TC=+.035%	28480	1902-0951
A4A2VR6	1902-0960	6	1	DIODE-ZNR 12V 5% DO-35 PD=.4W TC=+.077%	28480	1902-0960
A4A2W1	08663-20033	4	1	CBL AY "I"	28480	08663-20033

† Refer to Section 7 for update information.

* Factory Selected Component (Refer to Section 5.)

old

Table 6-3. Replaceable Parts

Reference Designation	HP Part Number	C D	Qty.	Description	Mfr. Code	Mfr. Part Number
A4A2A1						
NOTE The A4A2 Assembly and its sub-assemblies are not recommended for field repair.						
A4A2A1	08663-60034	9	1	INTERNAL DOUBLER ASSEMBLY	28480	08663-60034
A4A2A1A1	08663-60317	1	1	INTERNAL DOUBLER BOARD ASSEMBLY	28480	08663-60317
A4A2A1C1	0160-4306	7	2	CAPACITOR-FXD 100PF +-10% 100VDC CER	51959	0805C101K3P
A4A2A1C2	0160-0576	5		CAPACITOR-FXD .1UF +-20% 50VDC CER	28480	0160-0576
A4A2A1C3	0121-0448	9	1	CAPACITOR-V TRMR-CER 2.6-6PF 83V PC-MTG	28480	0121-0448
A4A2A1C4	0160-4303	4	1	CAPACITOR-FXD .027UF +-10% 50VDC CER	26654	38X50S273K
A4A2A1C5	0160-4306	7		CAPACITOR-FXD 100PF +-10% 100VDC CER	51959	0805C101K3P
A4A2A1C6	0160-4226	0	1	CAPACITOR-FXD 3.2PF +-25PF 100VDC CER	26654	2BN100S2R2C(D)
A4A2A1CR1	1901-1096	9	4	DIODE-PIN	28480	1901-1096
A4A2A1CR2	1901-1096	9		DIODE-PIN	28480	1901-1096
A4A2A1CR3	1901-1096	9		DIODE-PIN	28480	1901-1096
A4A2A1CR4	1906-0244	7	1	DIODE-FW BRDQ 2V	17540	D5848
A4A2A1CR5	1901-1096	9		DIODE-PIN	28480	1901-1096
A4A2A1E1	9170-0029	3		CORE-SHIELDING BEAD	28480	9170-0029
A4A2A1E2	9170-0029	3		CORE-SHIELDING BEAD	28480	9170-0029
A4A2A1E3	9170-0029	3		CORE-SHIELDING BEAD	28480	9170-0029
A4A2A1E4	9170-0029	3		CORE-SHIELDING BEAD	28480	9170-0029
A4A2A1E5	9170-0029	3		CORE-SHIELDING BEAD	28480	9170-0029
A4A2A1E6	9170-0029	3		CORE-SHIELDING BEAD	28480	9170-0029
A4A2A1FL1	9135-0002	8	3	FILTER-LOW PASS SOLDER-TERMS	33095	51-744-018
A4A2A1FL2	9135-0002	8		FILTER-LOW PASS SOLDER-TERMS	33095	51-744-018
A4A2A1FL3	9135-0002	8		FILTER-LOW PASS SOLDER-TERMS	33095	51-744-018
A4A2A1J1	1250-0829	3	1	CONNECTOR-RF SMC M SGL-HOLE-FR 50-OHM	28480	1250-0829
A4A2A1J2	2190-0124	4		WASHER-LK INTL T NO. 10 .195-IN-ID	28480	2190-0124
A4A2A1J3	1250-1157	2	2	CONNECTOR-RF SMA FEM THD-HOLE 50-OHM	28480	1250-1157
A4A2A1J4	1250-1157	2		CONNECTOR-RF SMA FEM THD-HOLE 50-OHM	28480	1250-1157
A4A2A1L1	9151-0013	4	1	WIRE 22AWG 1X22	28480	9151-0013
A4A2A1L2	9100-3922	4		INDUCTOR-FIXED 120-1300 HZ	28480	9100-3922
A4A2A1L3	9100-3922	4		INDUCTOR-FIXED 120-1300 HZ	28480	9100-3922
A4A2A1L4	8180-2136	7	1	WIRE-MAG RND 36-AWG 130C CU	28480	8180-2136
A4A2A1L5	9100-3922	4		INDUCTOR-FIXED 120-1300 HZ	28480	9100-3922
A4A2A1MP1	08663-20020	9	1	HSG-INT DBLR	28480	08663-20020
	2200-0101	0	1	SCREW-MACH 4-40 .188-IN-LG PAN-HD-POZI	00000	ORDER BY DESCRIPTION
	2200-0165	6	2	ATTACH BOARD TO HOUSING SCREW-MACH 4-40 .25-IN-LG 82 DEG	00000	ORDER BY DESCRIPTION
A4A2A1MP2	08663-20021	0	1	CVR-INT DBLR	28480	08663-20021
	2200-0165	6		SCREW-MACH 4-40 .25-IN-LG 82 DEG	00000	ORDER BY DESCRIPTION
A4A2A1Q1	1853-0459	3		TRANSISTOR PNP SI PD=625MW FT=200MHZ	28480	1853-0459
A4A2A1R1	0699-7236	7		RESISTOR 1K 1% .05W F TC=0+-100	24546	C3-1/8-T0-1001-F
A4A2A1R2	0699-3440	7		RESISTOR 196 1% .125W F TC=0+-100	24546	C4-1/8-T0-196R-F
A4A2A1R3	0699-0180	8		RESISTOR 150 5% .1W C TC=0+-200	26654	3C151J
A4A2A1R4*	0699-0180	8	2	RESISTOR 150 5% .1W C TC=0+-200	26654	3C151J
A4A2A1R5*	0699-0179	5	1	RESISTOR 37.3 5% .1W C TC=0+-200	28480	0699-0179
A4A2A1R6	0699-0184	2	2	RESISTOR 870 5% .1W C TC=0+-200	28480	0699-0184
A4A2A1R7	0699-0157	9	1	RESISTOR 12 5% .1W C TC=0+-200	26654	3C120J
A4A2A1R8	0699-0184	2		RESISTOR 870 5% .1W C TC=0+-200	28480	0699-0184
A4A2A1U1	08663-87003	6	1	AMP-MICROWAVE	28480	08663-87003
	0520-0127	6	1	SCREW-MACH 2-56 .188-IN-LG PAN-HD-POZI	00000	ORDER BY DESCRIPTION
A4A2A1W1	8120-1371	4	1	CABLE-COAX 50.2-OHM 29PF/FT	28480	8120-1371

† Refer to Section 7 for update information.

* Factory Selected Component (Refer to Section 5.)

Table 6-3. Replaceable Parts

Reference Designation	HP Part Number	C D	Qty.	Description	Mfr. Code	Mfr. Part Number
A6A4						
2294A TO 2704A A6A4	08662-60108	7	1	PHASE DETECTOR, OUTPUT SUM (OS) LOOP	28480	08662-60108
2706A AND ABOVE A6A4	08662-60358	9	1	PHASE DETECTOR, OUTPUT SUM (OS) LOOP	28480	08662-60358
A6A4C1	0160-3879	7		CAPACITOR-FXD .01UF +-20% 100VDC CER	28480	0160-3879
A6A4C2	0160-3879	7		CAPACITOR-FXD .01UF +-20% 100VDC CER	28480	0160-3879
A6A4C3	0180-2618	2		CAPACITOR-FXD 33UF+-10% 10VDC TA	25088	D33GS1B10K
A6A4C4	0160-3879	7		CAPACITOR-FXD .01UF +-20% 100VDC CER	28480	0160-3879
A6A4C5	0180-2618	2		CAPACITOR-FXD 33UF+-10% 10VDC TA	25088	D33GS1B10K
A6A4C6	0180-2617	1		CAPACITOR-FXD 6.8UF+-10% 35VDC TA	25088	D6R8GS1B35K
A6A4C7	0180-0141	2	3	CAPACITOR-FXD 50UF+-75-10% 50VDC AL	56289	30D50G050DD2
A6A4C8	0180-2208	8		CAPACITOR-FXD 220UF+-10% 10VDC TA	56289	150D227X9010S2
A6A4C9	0180-2619	3		CAPACITOR-FXD 22UF+-10% 15VDC TA	25088	D22GS1B15K
A6A4C10	0180-3701	8		CAPACITOR-FXD 2.2UF+-10% 75VDC TA	28480	0180-3701
A6A4C11	0180-3879	7		CAPACITOR-FXD .01UF +-20% 100VDC CER	28480	0160-3879
A6A4C12	0160-3878	6		CAPACITOR-FXD 1000PF +-20% 100VDC CER	28480	0160-3878
A6A4C13	0180-2620	6		CAPACITOR-FXD 2.2UF+-10% 50VDC TA	25088	D2R2GS1B50K
A6A4C14	0160-0575	4		CAPACITOR-FXD .047UF +-20% 50VDC CER	28480	0160-0575
A6A4C15	0180-3701	6		CAPACITOR-FXD 2.2UF+-10% 75VDC TA	28480	0180-3701
A6A4C16	0160-3879	7		CAPACITOR-FXD .01UF +-20% 100VDC CER	28480	0160-3879
A6A4C17	0160-3879	7		CAPACITOR-FXD .01UF +-20% 100VDC CER	28480	0160-3879
A6A4C18	0160-3879	7		CAPACITOR-FXD .01UF +-20% 100VDC CER	28480	0160-3879
A6A4C19	0160-3878	6		CAPACITOR-FXD 1000PF +-20% 100VDC CER	28480	0160-3878
A6A4C20	0160-3879	7		CAPACITOR-FXD .01UF +-20% 100VDC CER	28480	0160-3879
A6A4C21	0160-3879	7		CAPACITOR-FXD .01UF +-20% 100VDC CER	28480	0160-3879
A6A4C22	0160-3879	7		CAPACITOR-FXD .01UF +-20% 100VDC CER	28480	0160-3879
A6A4C23	0160-3879	7		CAPACITOR-FXD .01UF +-20% 100VDC CER	28480	0160-3879
A6A4C24	0180-2620	6		CAPACITOR-FXD 2.2UF+-10% 50VDC TA	25088	D2R2GS1B50K
A6A4C25	0160-3878	6		CAPACITOR-FXD 1000PF +-20% 100VDC CER	28480	0160-3878
A6A4C26	0180-2618	2		CAPACITOR-FXD 33UF+-10% 10VDC TA	25088	D33GS1B10K
A6A4C27	0160-3879	7		CAPACITOR-FXD .01UF +-20% 100VDC CER	28480	0160-3879
A6A4C28	0180-2619	3		CAPACITOR-FXD 22UF+-10% 15VDC TA	25088	D22GS1B15K
A6A4C29	0180-2619	3		CAPACITOR-FXD 22UF+-10% 15VDC TA	25088	D22GS1B15K
A6A4C30	0160-3879	7		CAPACITOR-FXD .01UF +-20% 100VDC CER	28480	0160-3879
A6A4C31	0160-3879	7		CAPACITOR-FXD .01UF +-20% 100VDC CER	28480	0160-3879
A6A4C32	0160-3879	7		CAPACITOR-FXD .01UF +-20% 100VDC CER	28480	0160-3879
A6A4C33	0160-3877	5		CAPACITOR-FXD 100PF +-20% 200VDC CER	28480	0160-3877
A6A4C34	0160-3877	5		CAPACITOR-FXD 100PF +-20% 200VDC CER	28480	0160-3877
A6A4C35	0160-0575	4		CAPACITOR-FXD .047UF +-20% 50VDC CER	28480	0160-0575
A6A4C36	0180-4488	8	2	CAPACITOR-FXD 5.6PF +-5PF 200VDC CER	28480	0160-4488
A6A4C37	0180-0572	1	3	CAPACITOR-FXD 2200PF +-20% 100VDC CER	28480	0160-0572
A6A4C38	0160-0573	2		CAPACITOR-FXD 4700PF +-20% 100VDC CER	28480	0160-0573
A6A4C39	0160-3879	7		CAPACITOR-FXD .01UF +-20% 100VDC CER	28480	0160-3879
A6A4C40	0160-0574	3	2	CAPACITOR-FXD .022UF +-20% 100VDC CER	28480	0160-0574
A6A4C41	0160-0575	4		CAPACITOR-FXD .047UF +-20% 50VDC CER	28480	0160-0575
A6A4C42	0160-3878	6		CAPACITOR-FXD 1000PF +-20% 100VDC CER	28480	0160-3878
A6A4C43	0160-3878	6		CAPACITOR-FXD 1000PF +-20% 100VDC CER	28480	0160-3878
A6A4C44	0160-3878	6		CAPACITOR-FXD 1000PF +-20% 100VDC CER	28480	0160-3878
A6A4C45	0160-3878	6		CAPACITOR-FXD 1000PF +-20% 100VDC CER	28480	0160-3878

†Refer to Section 7 for update information.

*Factory Selected Component (Refer to Section 5).

old

Table 6-3. Replaceable Parts

Reference Designation	HP Part Number	C D	Qty.	Description	Mfr. Code	Mfr. Part Number
A6A4C46	0180-2209	5	4	CAPACITOR-FXD 360PF +5% 300VDC MICA	28480	0180-2209
A6A4C47	0180-4084	8	5	CAPACITOR-FXD .1UF +20% 50VDC CER	28480	0160-4084
A6A4C48	0180-2819	3		CAPACITOR-FXD 22UF+10% 15VDC TA	25088	D22GS1B15K
A6A4C49	0180-0573	2		CAPACITOR-FXD 4700PF +20% 100VDC CER	28480	0180-0573
A6A4C50	0180-0570	8	5	CAPACITOR-FXD 220PF +20% 100VDC CER	20932	5024EM100RD221M
A6A4C51	0180-3879	7		CAPACITOR-FXD .01UF +20% 100VDC CER	28480	0160-3879
A6A4C52	0180-0575	4		CAPACITOR-FXD .047UF +20% 50VDC CER	28480	0160-0575
A6A4C53	0180-3875	3		CAPACITOR-FXD 22PF +5% 200VDC CER 0+-30	28480	0160-3875
A6A4C54	0180-2819	3		CAPACITOR-FXD 22UF+10% 15VDC TA	25088	D22GS1B15K
A6A4C55	0180-3879	7		CAPACITOR-FXD .01UF +20% 100VDC CER	28480	0160-3879
A6A4C56	0180-3876	4		CAPACITOR-FXD 47PF +20% 200VDC CER	28480	0160-3876
A6A4C57	0180-3879	7		CAPACITOR-FXD .01UF +20% 100VDC CER	28480	0160-3879
A6A4C58	0180-3879	7		CAPACITOR-FXD .01UF +20% 100VDC CER	28480	0160-3879
A6A4C59	0180-3877	5		CAPACITOR-FXD 100PF +20% 200VDC CER	28480	0160-3877
A6A4C60	0180-0573	2		CAPACITOR-FXD 4700PF +20% 100VDC CER	28480	0160-0573
A6A4C61	0180-0573	2		CAPACITOR-FXD 4700PF +20% 100VDC CER	28480	0160-0573
A6A4C62	0180-3877	5		CAPACITOR-FXD 100PF +20% 200VDC CER	28480	0160-3877
A6A4C63	0180-0573	2		CAPACITOR-FXD 4700PF +20% 100VDC CER	28480	0160-0573
A6A4C64	0180-0573	2		CAPACITOR-FXD 4700PF +20% 100VDC CER	28480	0160-0573
A6A4C65	0180-0298	8	2	CAPACITOR-FXD 1500PF +10% 200VDC POLYE	28480	0160-0298
A6A4C66	0180-3879	7		CAPACITOR-FXD .01UF +20% 100VDC CER	28480	0160-3879
A6A4C67	0180-3879	7		CAPACITOR-FXD .01UF +20% 100VDC CER	28480	0160-3879
A6A4C68	0180-2209	5		CAPACITOR-FXD 360PF +5% 300VDC MICA	28480	0160-2209
A6A4C69	0180-0571	0		CAPACITOR-FXD 470PF +20% 100VDC CER	28480	0180-0571
A6A4C70	0180-3879	7		CAPACITOR-FXD .01UF +20% 100VDC CER	28480	0160-3879
A6A4C71	0180-0198	5	2	CAPACITOR-FXD 200PF +5% 300VDC MICA	72136	DM15F201J0300WV1CR
A6A4C72	0160-4389	6		CAPACITOR-FXD 100PF +5PF 200VDC CER	28480	0160-4389
A6A4C73	0180-4103	2		CAPACITOR-FXD 220PF +5% 100VDC CER	72982	8121-M100-COG-221J
A6A4C74	0180-0570	8		CAPACITOR-FXD 220PF +20% 100VDC CER	20932	5024EM100RD221M
A6A4CR1	1901-0050	3		DIODE-SWITCHING 80V 200MA 2NS DO-35	28480	1901-0050
A6A4CR2	1901-0050	3		DIODE-SWITCHING 80V 200MA 2NS DO-35	28480	1901-0050
A6A4CR3	1901-0050	3		DIODE-SWITCHING 80V 200MA 2NS DO-35	28480	1901-0050
A6A4CR4	1901-0050	3		DIODE-SWITCHING 80V 200MA 2NS DO-35	28480	1901-0050
A6A4CR5	1901-0050	3		DIODE-SWITCHING 80V 200MA 2NS DO-35	28480	1901-0050
A6A4CR6	1901-0050	3		DIODE-SWITCHING 80V 200MA 2NS DO-35	28480	1901-0050
A6A4CR9	1901-0050	3		DIODE-SWITCHING 80V 200MA 2NS DO-35	28480	1901-0050
A6A4CR10	1901-0050	3		DIODE-SWITCHING 80V 200MA 2NS DO-35	28480	1901-0050
A6A4CR11	1901-0050	3		DIODE-SWITCHING 80V 200MA 2NS DO-35	28480	1901-0050
A6A4CR12	1901-0050	3		DIODE-SWITCHING 80V 200MA 2NS DO-35	28480	1901-0050
A6A4CR13	1901-0050	3		DIODE-SWITCHING 80V 200MA 2NS DO-35	28480	1901-0050
A6A4CR14	1901-0050	3		DIODE-SWITCHING 80V 200MA 2NS DO-35	28480	1901-0050
A6A4CR15	1901-0050	3		DIODE-SWITCHING 80V 200MA 2NS DO-35	28480	1901-0050
A6A4CR16	1901-0050	3		DIODE-SWITCHING 80V 200MA 2NS DO-35	28480	1901-0050
A6A4CR17	1901-0050	3		DIODE-SWITCHING 80V 200MA 2NS DO-35	28480	1901-0050
A6A4CR18	1901-0050	3		DIODE-SWITCHING 80V 200MA 2NS DO-35	28480	1901-0050
A6A4CR19	1901-0050	3		DIODE-SWITCHING 80V 200MA 2NS DO-35	28480	1901-0050
A6A4CR20	1901-0050	3		DIODE-SWITCHING 80V 200MA 2NS DO-35	28480	1901-0050
A6A4CR21	1901-0050	3		DIODE-SWITCHING 80V 200MA 2NS DO-35	28480	1901-0050
A6A4CR22	1901-0518	8		DIODE-SM SIG SCHOTTKY	28480	1901-0518

†Refer to Section 7 for update information.

*Factory Selected Component (Refer to Section 5).

Table 6-3. Replaceable Parts

Reference Designation	HP Part Number	C D	Qty.	Description	Mfr. Code	Mfr. Part Number
ABA4CR23	1901-0050	3		DIODE-SWITCHING 80V 200MA 2NS DO-35	28480	1901-0050
ABA4CR24	1901-0518	8		DIODE-SM SIG SCHOTTKY	28480	1901-0518
ABA4CR25	1901-0518	8		DIODE-SM SIG SCHOTTKY	28480	1901-0518
ABA4CR26	1901-0518	8		DIODE-SM SIG SCHOTTKY	28480	1901-0518
ABA4CR27	1901-0518	8		DIODE-SM SIG SCHOTTKY	28480	1901-0518
ABA4CR28	1901-0518	8		DIODE-SM SIG SCHOTTKY	28480	1901-0518
ABA4CR29	1901-0050	3		DIODE-SWITCHING 80V 200MA 2NS DO-35	28480	1901-0050
ABA4CR30	1901-0050	3		DIODE-SWITCHING 80V 200MA 2NS DO-35	28480	1901-0050
ABA4CR31	1901-0518	8		DIODE-SM SIG SCHOTTKY	28480	1901-0518
ABA4CR32	1901-0518	8		DIODE-SM SIG SCHOTTKY	28480	1901-0518
ABA4CR38	1901-0050	3		DIODE-SWITCHING 80V 200MA 2NS DO-35	28480	1901-0050
ABA4DS1	1990-0328	3		LED-LAMP LUM-INT=300UCD IF=50MA-MAX	28480	5082-4444
ABA4E1	9170-0029	3		CORE-SHIELDING BEAD	28480	9170-0029
ABA4J1	1250-1220	0		CONNECTOR-RF SMC M PC 50-OHM	28480	1250-1220
	2190-0124	4		WASHER-LK INTL T NO. 10 .195-IN-ID	28480	2190-0124
	2950-0078	9		NUT-HEX-DBL-CHAM 10-32-THD .067-IN-THK	28480	2950-0078
ABA4J2	1250-1220	0		CONNECTOR-RF SMC M PC 50-OHM	28480	1250-1220
	2190-0124	4		WASHER-LK INTL T NO. 10 .195-IN-ID	28480	2190-0124
	2950-0078	9		NUT-HEX-DBL-CHAM 10-32-THD .067-IN-THK	28480	2950-0078
ABA4L1	9100-1788	6	7	CORE-FERRITE CHOKE-WIDEBAND; IMP:1680	28480	9100-1788
ABA4L2	9100-1788	6		CORE-FERRITE CHOKE-WIDEBAND; IMP:1680	28480	9100-1788
ABA4L3	9100-1788	6		CORE-FERRITE CHOKE-WIDEBAND; IMP:1680	28480	9100-1788
ABA4L4	9100-4078	3	11	TOROID FILTER 630 UH	28480	9100-4078
ABA4L5	9100-4078	3		TOROID FILTER 630 UH	28480	9100-4078
ABA4L6	9100-1623	8	10	INDUCTOR RF-CH-MLD 27UH 5% .168DX.385LG	28480	9100-1623
ABA4L9	9100-1623	8		INDUCTOR RF-CH-MLD 27UH 5% .168DX.385LG	28480	9100-1623
ABA4L10	9100-1623	8		INDUCTOR RF-CH-MLD 27UH 5% .168DX.385LG	28480	9100-1623
ABA4L11	9100-1623	8		INDUCTOR RF-CH-MLD 27UH 5% .168DX.385LG	28480	9100-1623
ABA4L12	9100-1623	8		INDUCTOR RF-CH-MLD 27UH 5% .168DX.385LG	28480	9100-1623
ABA4L13	9140-0141	7		INDUCTOR RF-CH-MLD 680NH 10% .105DX.28LG	28480	9140-0141
ABA4L14	9140-0179	1	2	INDUCTOR RF-CH-MLD 22UH 10% .168DX.385LG	28480	9140-0179
ABA4L15	9100-1630	7	8	INDUCTOR RF-CH-MLD 51UH 5% .168DX.385LG	28480	9100-1630
ABA4L16	9100-1630	7		INDUCTOR RF-CH-MLD 51UH 5% .168DX.385LG	28480	9100-1630
ABA4L17	9100-4078	3		TOROID FILTER 630 UH	28480	9100-4078
ABA4L18	9140-0141	7		INDUCTOR RF-CH-MLD 680NH 10% .105DX.28LG	28480	9140-0141
ABA4L19	9100-1625	0	2	INDUCTOR RF-CH-MLD 33UH 5% .168DX.385LG	28480	9100-1625
ABA4L20	9100-1627	2	2	INDUCTOR RF-CH-MLD 33UH 5% .168DX.385LG	28480	9100-1627
ABA4L21	9140-0210	1		INDUCTOR RF-CH-MLD 100UH 5% .168DX.385LG	28480	9140-0210
ABA4L22	9140-0210	1		INDUCTOR RF-CH-MLD 100UH 5% .168DX.385LG	28480	9140-0210
ABA4L23	9100-1611	4	2	INDUCTOR RF-CH-MLD 220NH 20%	28480	9100-1611
2234A TO 2704A						
ABA4MP1	08682-00018	0	2	COVER- 1/3 END	28480	08682-00018
2706A AND ABOVE						
ABA4MP1	08682-00229	7	2	COVER- 1/3 END	28480	08682-00229
	2360-0113	2		SCREW-MACH 6-32 .25-IN-LG PAN-HD-POZI	00000	ORDER BY DESCRIPTION
ABA4MP2	5001-0178	0		GROUND STRAP	28480	5001-0178
ABA4MP3	5001-0178	0		GROUND STRAP	28480	5001-0178
2234A TO 2704A						
ABA4MP4	7120-8043	0	1	LABEL-IDENTIFICATION .15-IN-WD .7-IN-LG	28480	7120-8043
2706A AND ABOVE						
ABA4MP4	08682-80086	8	1	LABEL-IDENTIFICATION .15-IN-WD .7-IN-LG	28480	08682-80086

†Refer to Section 7 for update information.

*Factory Selected Component (Refer to Section 5).

old

Table 6-3. Replaceable Parts

Reference Designation	HP Part Number	C D	Qty.	Description	Mfr. Code	Mfr. Part Number
A6A4Q1	1854-0404	0		TRANSISTOR NPN SI TO-18 PD=360MW	28480	1854-0404
A6A4Q2	1853-0012	4		TRANSISTOR PNP 2N2904A SI TO-39 PD=600MW	01295	2N2904A
A6A4Q3	1854-0408	4	2	TRANSISTOR NPN SI TO-18 PD=300MW	28480	1854-0408
A6A4Q4	1853-0007	7		TRANSISTOR PNP 2N3251 SI TO-18 PD=360MW	04713	2N3251
A6A4Q5	1853-0451	5		TRANSISTOR PNP 2N3799 SI TO-18 PD=360MW	01295	2N3799
	1205-0037	0	8	HEAT SINK TO-18-CS	28480	1205-0037
A6A4Q6	1853-0007	7		TRANSISTOR PNP 2N3251 SI TO-18 PD=360MW	04713	2N3251
2234A TO 2552A A6A4Q7	1854-0475	5	4	TRANSISTOR-DUAL NPN PD=750MW	28490	1854-0475
2801A AND ABOVE A6A4Q7	1854-1046	8		TRANSISTOR-DUAL NPN TO-78 PD=750MW	28490	1854-0475
A6A4Q8	1853-0451	5		TRANSISTOR PNP 2N3799 SI TO-18 PD=360MW	01295	2N3799
	1205-0037	0		HEAT SINK TO-18-CS	28480	1205-0037
A6A4Q9	1854-0404	0		TRANSISTOR NPN SI TO-18 PD=360MW	28480	1854-0404
A6A4Q10	1853-0451	5		TRANSISTOR PNP 2N3799 SI TO-18 PD=360MW	01295	2N3799
	1205-0037	0		HEAT SINK TO-18-CS	28480	1205-0037
A6A4Q11	1853-0007	7		TRANSISTOR PNP 2N3251 SI TO-18 PD=360MW	04713	2N3251
A6A4Q12	1853-0451	5		TRANSISTOR PNP 2N3799 SI TO-18 PD=360MW	01295	2N3799
	1205-0037	0		HEAT SINK TO-18-CS	28480	1205-0037
A6A4Q13	1854-0247	9		TRANSISTOR NPN SI TO-39 PD=1W FT=800MHZ	28480	1854-0247
A6A4Q14	1854-0404	0		TRANSISTOR NPN SI TO-18 PD=360MW	28480	1854-0404
A6A4Q17	1855-0020	8		TRANSISTOR J-FET N-CHAN D-MODE TO-18 SI	28480	1855-0020
A6A4Q18	1855-0020	8		TRANSISTOR J-FET N-CHAN D-MODE TO-18 SI	28480	1855-0020
A6A4Q19	1855-0020	8		TRANSISTOR J-FET N-CHAN D-MODE TO-18 SI	28480	1855-0020
A6A4Q20	1855-0020	8		TRANSISTOR J-FET N-CHAN D-MODE TO-18 SI	28480	1855-0020
A6A4R1	0698-7236	7		RESISTOR 1K 1% .05W F TC=0+-100	24546	C3-1/8-TO-1001-F
A6A4R2	0698-7224	3		RESISTOR 316 1% .05W F TC=0+-100	24546	C3-1/8-TO-316R-F
A6A4R3	0698-7236	7		RESISTOR 1K 1% .05W F TC=0+-100	24546	C3-1/8-TO-1001-F
A6A4R4	0698-7236	7		RESISTOR 1K 1% .05W F TC=0+-100	24546	C3-1/8-TO-1001-F
A6A4R5	0698-7212	9		RESISTOR 100 1% .05W F TC=0+-100	24546	C3-1/8-TO-100R-F
A6A4R6	0698-7212	9		RESISTOR 100 1% .05W F TC=0+-100	24546	C3-1/8-TO-100R-F
A6A4R7	0698-7212	9		RESISTOR 100 1% .05W F TC=0+-100	24546	C3-1/8-TO-100R-F
A6A4R8	0698-7194	6		RESISTOR 17.8 1% .05W F TC=0+-100	24546	C3-1/8-TO-17R8-F
A6A4R9	0698-7225	4		RESISTOR 348 1% .05W F TC=0+-100	24546	C3-1/8-TO-348R-F
A6A4R10	0698-7188	8		RESISTOR 10 1% .05W F TC=0+-100	24546	C3-1/8-TO-10R-F
A6A4R11	0698-7226	5		RESISTOR 383 1% .05W F TC=0+-100	24546	C3-1/8-TO-383R-F
A6A4R12	0698-7224	3		RESISTOR 316 1% .05W F TC=0+-100	24546	C3-1/8-TO-316R-F
A6A4R13	0698-7222	1	12	RESISTOR 281 1% .05W F TC=0+-100	24546	C3-1/8-TO-281R-F
A6A4R14	0698-7222	1		RESISTOR 281 1% .05W F TC=0+-100	24546	C3-1/8-TO-281R-F
A6A4R15	0698-7200	5		RESISTOR 31.8 1% .05W F TC=0+-100	24546	C3-1/8-TO-31R8-F
A6A4R16	0698-7200	5		RESISTOR 31.8 1% .05W F TC=0+-100	24546	C3-1/8-TO-31R8-F
A6A4R17	0698-7222	1		RESISTOR 281 1% .05W F TC=0+-100	24546	C3-1/8-TO-281R-F
A6A4R18	0698-7222	1		RESISTOR 281 1% .05W F TC=0+-100	24546	C3-1/8-TO-281R-F
A6A4R19	0698-7198	8		RESISTOR 21.5 1% .05W F TC=0+-100	24546	C3-1/8-TO-21R5-F
A6A4R20	0698-7216	3		RESISTOR 147 1% .05W F TC=0+-100	24546	C3-1/8-TO-147R-F
A6A4R21	0698-7216	3		RESISTOR 147 1% .05W F TC=0+-100	24546	C3-1/8-TO-147R-F
A6A4R22	0698-7229	8		RESISTOR 511 1% .05W F TC=0+-100	24546	C3-1/8-TO-511R-F
A6A4R23	0757-0280	3		RESISTOR 1K 1% .125W F TC=0+-100	24546	C4-1/8-TO-1001-F
A6A4R24	0698-0084	9		RESISTOR 2.15K 1% .125W F TC=0+-100	24546	C4-1/8-TO-2151-F
A6A4R25	0757-0250	5		RESISTOR 6.19K 1% .125W F TC=0+-100	19701	MF4C1/8-TO-6191-F
A6A4R26	0757-0280	3		RESISTOR 1K 1% .125W F TC=0+-100	24546	C4-1/8-TO-1001-F

†Refer to Section 7 for update information.

*Factory Selected Component (Refer to Section 5).

Table 6-3. Replaceable Parts

Reference Designation	HP Part Number	C D	Qty.	Description	Mfr. Code	Mfr. Part Number
A6A5						
2204A TO 2704A						
A6A5	08662-60103	2	1	PHASE DETECTOR, REF. SUM (RS) LOOP ASSY	28480	08662-60103
2706A AND ABOVE						
A6A5	08662-60357	8	1	PHASE DETECTOR, REF. SUM (RS) LOOP ASSY	28480	08662-60357
A6A5C1	0160-3879	7		CAPACITOR-FXD .01UF +-20% 100VDC CER	28480	0160-3879
A6A5C2	0160-3879	7		CAPACITOR-FXD .01UF +-20% 100VDC CER	28480	0160-3879
A6A5C3	0160-2618	2		CAPACITOR-FXD 33UF+-10% 10VDC TA	25088	D33GS1B10K
A6A5C4	0160-3879	7		CAPACITOR-FXD .01UF +-20% 100VDC CER	28480	0160-3879
A6A5C5	0160-2618	2		CAPACITOR-FXD 33UF+-10% 10VDC TA	25088	D33GS1B10K
A6A5C6	0160-2617	1		CAPACITOR-FXD 6.8UF+-10% 35VDC TA	25088	D6R8GS1B35K
A6A5C7	0160-0141	2		CAPACITOR-FXD 50UF+75-10% 50VDC AL	56289	30D508G050DD2
A6A5C8	0160-2208	6		CAPACITOR-FXD 220UF+-10% 10VDC TA	56289	150D227X9010S2
A6A5C9	0160-2619	3		CAPACITOR-FXD 22UF+-10% 15VDC TA	25088	D22GS1B15K
A6A5C10	0160-2620	6		CAPACITOR-FXD 2.2UF+-10% 50VDC TA	25088	D2R2GS1B50K
A6A5C11	0160-3879	7		CAPACITOR-FXD .01UF +-20% 100VDC CER	28480	0160-3879
A6A5C12	0160-3878	6		CAPACITOR-FXD 1000PF +-20% 100VDC CER	28480	0160-3878
A6A5C13	0160-2620	6		CAPACITOR-FXD 2.2UF+-10% 50VDC TA	25088	D2R2GS1B50K
A6A5C14	0160-0575	4		CAPACITOR-FXD .047UF +-20% 50VDC CER	28480	0160-0575
A6A5C15	0160-2620	6		CAPACITOR-FXD 2.2UF+-10% 50VDC TA	25088	D2R2GS1B50K
A6A5C16	0160-3879	7		CAPACITOR-FXD .01UF +-20% 100VDC CER	28480	0160-3879
A6A5C17	0160-3879	7		CAPACITOR-FXD .01UF +-20% 100VDC CER	28480	0160-3879
A6A5C18	0160-3879	7		CAPACITOR-FXD .01UF +-20% 100VDC CER	28480	0160-3879
A6A5C19	0160-3878	6		CAPACITOR-FXD 1000PF +-20% 100VDC CER	28480	0160-3878
A6A5C20	0160-3879	7		CAPACITOR-FXD .01UF +-20% 100VDC CER	28480	0160-3879
A6A5C21	0160-3879	7		CAPACITOR-FXD .01UF +-20% 100VDC CER	28480	0160-3879
A6A5C22	0160-3879	7		CAPACITOR-FXD .01UF +-20% 100VDC CER	28480	0160-3879
A6A5C23	0160-3879	7		CAPACITOR-FXD .01UF +-20% 100VDC CER	28480	0160-3879
A6A5C24	0160-2620	6		CAPACITOR-FXD 2.2UF+-10% 50VDC TA	25088	D2R2GS1B50K
A6A5C25	0160-3878	6		CAPACITOR-FXD 1000PF +-20% 100VDC CER	28480	0160-3878
A6A5C26	0160-2618	2		CAPACITOR-FXD 33UF+-10% 10VDC TA	25088	D33GS1B10K
A6A5C27	0160-3879	7		CAPACITOR-FXD .01UF +-20% 100VDC CER	28480	0160-3879
A6A5C28	0160-2619	3		CAPACITOR-FXD 22UF+-10% 15VDC TA	25088	D22GS1B15K
A6A5C29	0160-2619	3		CAPACITOR-FXD 22UF+-10% 15VDC TA	25088	D22GS1B15K
A6A5C30	0160-3879	7		CAPACITOR-FXD .01UF +-20% 100VDC CER	28480	0160-3879
A6A5C31	0160-3879	7		CAPACITOR-FXD .01UF +-20% 100VDC CER	28480	0160-3879
A6A5C32	0160-3879	7		CAPACITOR-FXD .01UF +-20% 100VDC CER	28480	0160-3879
A6A5C33	0160-3877	5		CAPACITOR-FXD 100PF +-20% 200VDC CER	28480	0160-3877
A6A5C34	0160-3877	5		CAPACITOR-FXD 100PF +-20% 200VDC CER	28480	0160-3877
A6A5C35	0160-0575	4		CAPACITOR-FXD .047UF +-20% 50VDC CER	28480	0160-0575
A6A5C36	0160-4498	8		CAPACITOR-FXD 5.6PF +-5PF 200VDC CER	28480	0160-4498
A6A5C37	0160-0572	1		CAPACITOR-FXD 2200PF +-20% 100VDC CER	28480	0160-0572
A6A5C38	0160-0573	2		CAPACITOR-FXD 4700PF +-20% 100VDC CER	28480	0160-0573
A6A5C39	0160-3879	7		CAPACITOR-FXD .01UF +-20% 100VDC CER	28480	0160-3879
A6A5C40	0160-0574	3		CAPACITOR-FXD .022UF +-20% 100VDC CER	28480	0160-0574
A6A5C41	0160-0575	4		CAPACITOR-FXD .047UF +-20% 50VDC CER	28480	0160-0575
A6A5C42	0160-3878	6		CAPACITOR-FXD 1000PF +-20% 100VDC CER	28480	0160-3878
A6A5C43	0160-3878	6		CAPACITOR-FXD 1000PF +-20% 100VDC CER	28480	0160-3878
A6A5C44	0160-3878	6		CAPACITOR-FXD 1000PF +-20% 100VDC CER	28480	0160-3878
A6A5C45	0160-3878	6		CAPACITOR-FXD 1000PF +-20% 100VDC CER	28480	0160-3878

† Refer to Section 7 for update information.

* Factory Selected Component (Refer to Section 5).

Table 6-3. Replaceable Parts

Reference Designation	HP Part Number	C D	Qty.	Description	Mfr. Code	Mfr. Part Number
A12A3						
A12A3	08663-80345	5	1	LF AMPLIFIER	28480	08663-80345
A12A3C1	0160-3878	6		CAPACITOR-FXD 1000PF +-20% 100VDC CER	28480	0160-3878
A12A3C2	0160-3878	6		CAPACITOR-FXD 1000PF +-20% 100VDC CER	28480	0160-3878
A12A3C3	0160-3878	6		CAPACITOR-FXD 1000PF +-20% 100VDC CER	28480	0160-3878
A12A3C4	0180-2617	1		CAPACITOR-FXD 6.8UF+-10% 35VDC TA	25088	D6R8GS1B35K
A12A3C5	0180-2619	3		CAPACITOR-FXD 22UF+-10% 15VDC TA	25088	D22GS1B15K
A12A3C6	0180-2619	3		CAPACITOR-FXD 22UF+-10% 15VDC TA	25088	D22GS1B15K
A12A3C7	0160-4896	0	1	CAPACITOR-FXD 47PF +-2% 200VDC CER 0+-30	28480	0160-4896
A12A3C8	0160-4778	5	1	CAPACITOR-FXD 28PF +-2% 200VDC CER 0+-30	28480	0160-4778
A12A3C9	0180-2617	1		CAPACITOR-FXD 6.8UF+-10% 35VDC TA	25088	D6R8GS1B35K
A12A3C10	0180-2619	3		CAPACITOR-FXD 22UF+-10% 15VDC TA	25088	D22GS1B15K
A12A3C11	0180-2617	1		CAPACITOR-FXD 6.8UF+-10% 35VDC TA	25088	D6R8GS1B35K
A12A3C12	0160-4388	6		CAPACITOR-FXD 100PF +-5PF 200VDC CER	28480	0160-4388
A12A3C13	0180-2617	1		CAPACITOR-FXD 6.8UF+-10% 35VDC TA	25088	D6R8GS1B35K
A12A3C14	0180-2617	1		CAPACITOR-FXD 6.8UF+-10% 35VDC TA	25088	D6R8GS1B35K
A12A3C15	0180-2617	1		CAPACITOR-FXD 6.8UF+-10% 35VDC TA	25088	D6R8GS1B35K
A12A3C16	0180-2617	1		CAPACITOR-FXD 6.8UF+-10% 35VDC TA	25088	D6R8GS1B35K
A12A3C17	0180-2617	1		CAPACITOR-FXD 6.8UF+-10% 35VDC TA	25088	D6R8GS1B35K
A12A3C18	0180-2617	1		CAPACITOR-FXD 6.8UF+-10% 35VDC TA	25088	D6R8GS1B35K
A12A3C19	0180-2617	1		CAPACITOR-FXD 6.8UF+-10% 35VDC TA	25088	D6R8GS1B35K
2234A TO 2333A A12A3C20				NOT ASSIGNED		
2339A AND ABOVE A12A3C20	0160-3875	3		CAPACITOR-FXD 22PF+-5% 200VDC CER	28480	0160-3875
A12A3CR1	1901-0040	1		DIODE-SWITCHING 30V 50MA 2NS DO-35	28480	1901-0040
A12A3CR2	1901-0040	1		DIODE-SWITCHING 30V 50MA 2NS DO-35	28480	1901-0040
A12A3CR3	1901-0040	1		DIODE-SWITCHING 30V 50MA 2NS DO-35	28480	1901-0040
A12A3J2	1250-1220	0		CONNECTOR-RF SMC M PC 50-OHM	28480	1250-1220
	2190-0124	4		WASHER-LK INTL T NO. 10 .195-IN-ID	28480	2190-0124
	2950-0078	9		NUT-HEX-DBL-CHAM 10-32-THD .067-IN-THK	28480	2950-0078
A12A3J3	1250-0836	2	1	CONNECTOR-RF SMC M PC 50-OHM	28480	1250-0836
	2190-0124	4	2	WASHER-LK INTL T 5/8 IN .64-IN-ID	28480	2190-0124
A12A3K1	0490-0670	9		RELAY 2C 5VDC-COIL 1A 28VDC	28480	0490-0670
	0340-0440	4		INSULATOR-IC NYLON WHITE	28480	0340-0440
A12A3K2	0490-0670	9		RELAY 2C 5VDC-COIL 1A 28VDC	28480	0490-0670
	0340-0440	4		INSULATOR-IC NYLON WHITE	28480	0340-0440
A12A3K3	0490-0670	9		RELAY 2C 5VDC-COIL 1A 28VDC	28480	0490-0670
	0340-0440	4		INSULATOR-IC NYLON WHITE	28480	0340-0440
A12A3L1	9100-3922	4		INDUCTOR-FIXED 120-1300 HZ	28480	9100-3922
A12A3L2	9100-3922	4		INDUCTOR-FIXED 120-1300 HZ	28480	9100-3922
A12A3L3	9100-3922	4		INDUCTOR-FIXED 120-1300 HZ	28480	9100-3922
A12A3L4	9100-4078	3		INDUCTOR 650H 54%	28480	9100-4078
A12A3L5	9100-3922	4		INDUCTOR-FIXED 120-1300 HZ	28480	9100-3922
A12A3L6	9100-4078	3		INDUCTOR 650H 54%	28480	9100-4078
A12A3L7	9135-0081	3		INDUCTOR RF-CH-MLD 68NH 5% .102DX.26LG	28480	9135-0081
A12A3L8	9135-0079	9		INDUCTOR RF-CH-MLD 100NH 5% .102DX.26LG	28480	9135-0079
2234A TO 2333A A12A3L9	9100-2251	0		INDUCTOR RF-CH-MLD 220NH 10% .105DX.26LG	28480	9100-2251
2339A AND ABOVE A12A3L9	9100-2254	3		INDUCTOR RF-CH-MLD 390NH 10% .105DX.26LG	28480	9100-2254
A12A3L10	9135-0079	9		INDUCTOR RF-CH-MLD 100NH 5% .102DX.26LG	28480	9135-0079
A12A3L11	9100-2248	5		INDUCTOR RF-CH-MLD 120NH 10% .105DX.26LG	28480	9100-2248

†Refer to Section 7 for update information.

*Factory Selected Component (Refer to Section 5).

Table 6-3. Replaceable Parts

Reference Designation	HP Part Number	C D	Qty.	Description	Mfr. Code	Mfr. Part Number
A6A5CR23	1901-0050	3		DIODE-SWITCHING 80V 200MA 2NS DO-35	28480	1901-0050
A6A5CR24	1901-0518	8		DIODE-SM SIG SCHÖTTKY	28480	1901-0518
A6A5CR25	1901-0518	8		DIODE-SM SIG SCHÖTTKY	28480	1901-0518
A6A5CR26	1901-0518	8		DIODE-SM SIG SCHÖTTKY	28480	1901-0518
A6A5CR27	1901-0518	8		DIODE-SM SIG SCHÖTTKY	28480	1901-0518
A6A5CR28	1901-0518	8		DIODE-SM SIG SCHÖTTKY	28480	1901-0518
A6A5CR29	1901-0050	3		DIODE-SWITCHING 80V 200MA 2NS DO-35	28480	1901-0050
A6A5CR30	1901-0050	3		DIODE-SWITCHING 80V 200MA 2NS DO-35	28480	1901-0050
A6A5CR31	1901-0518	8		DIODE-SM SIG SCHÖTTKY	28480	1901-0518
A6A5CR32	1901-0518	8		DIODE-SM SIG SCHÖTTKY	28480	1901-0518
A6A5CR38	1901-0050	3		DIODE-SWITCHING 80V 200MA 2NS DO-35	28480	1901-0050
A6A5DS1	1990-0326	3		LED-LAMP LUM-INT=300UCD IF=50MA-MAX	28480	5082-4444
A6A5E1	9170-0029	3		CORE-SHIELDING BEAD	28480	9170-0029
A6A5J1	1250-1220	0		CONNECTOR-RF SMC M PC 50-OHM	28480	1250-1220
	2190-0124	4		WASHER-LK INTL T NO. 10 .195-IN-ID	28480	2190-0124
	2950-0078	9		NUT-HEX-DBL-CHAM 10-32-THD .087-IN-THK	28480	2950-0078
A6A5J2	1250-1220	0		CONNECTOR-RF SMC M PC 50-OHM	28480	1250-1220
	2190-0124	4		WASHER-LK INTL T NO. 10 .195-IN-ID	28480	2190-0124
	2950-0078	9		NUT-HEX-DBL-CHAM 10-32-THD .087-IN-THK	28480	2950-0078
A6A5L1	9100-1788	6		CORE-FERRITE CHOKE-WIDEBAND; IMP:1880	28480	9100-1788
A6A5L2	9100-1788	6		CORE-FERRITE CHOKE-WIDEBAND; IMP:1880	28480	9100-1788
A6A5L3	9100-1788	6		CORE-FERRITE CHOKE-WIDEBAND; IMP:1880	28480	9100-1788
A6A5L4	9100-4078	3		TOROID FILTER 830 UH	28480	9100-4078
A6A5L5	9100-4078	3		TOROID FILTER 830 UH	28480	9100-4078
A6A5L6	9100-1823	8		INDUCTOR RF-CH-MLD 27UH 5% .166DX.385LG	28480	9100-1823
A6A5L9	9100-1823	8		INDUCTOR RF-CH-MLD 27UH 5% .166DX.385LG	28480	9100-1823
A6A5L10	9100-1823	8		INDUCTOR RF-CH-MLD 27UH 5% .166DX.385LG	28480	9100-1823
A6A5L11	9100-1823	8		INDUCTOR RF-CH-MLD 27UH 5% .166DX.385LG	28480	9100-1823
A6A5L12	9100-1823	8		INDUCTOR RF-CH-MLD 27UH 5% .166DX.385LG	28480	9100-1823
A6A5L13	9140-0141	7		INDUCTOR RF-CH-MLD 880NH 10% .105DX.26LG	28480	9140-0141
A6A5L14	9140-0179	1		INDUCTOR RF-CH-MLD 22UH 10% .166DX.385LG	28480	9140-0179
A6A5L15	9100-1630	7		INDUCTOR RF-CH-MLD 51UH 5% .166DX.385LG	28480	9100-1630
A6A5L16	9100-1630	7		INDUCTOR RF-CH-MLD 51UH 5% .166DX.385LG	28480	9100-1630
A6A5L17	9100-4078	3		TOROID FILTER 830 UH	28480	9100-4078
A6A5L18	9140-0141	7		INDUCTOR RF-CH-MLD 880NH 10% .105DX.26LG	28480	9140-0141
A6A5L19	9100-1625	0		INDUCTOR RF-CH-MLD 99UH 5% .166DX.385LG	28480	9100-1625
A6A5L20	9100-1627	2		INDUCTOR RF-CH-MLD 99UH 5% .166DX.385LG	28480	9100-1627
A6A5L21	9140-0210	1		INDUCTOR RF-CH-MLD 100UH 5% .166DX.385LG	28480	9140-0210
A6A5L22	9140-0210	1		INDUCTOR RF-CH-MLD 100UH 5% .166DX.385LG	28480	9140-0210
A6A5L23	9100-1611	4		INDUCTOR RF-CH-MLD 220NH 20%	28480	9100-1611
2234A TO 2704A						
A6A5MP1	08662-00116	1	1	COVER- 1/3 END	28480	08662-00116
2706A AND ABOVE						
A6A5MP1	08662-00228	8	1	COVER- 1/3 END	28480	08662-00228
	2380-0113	2		SCREW-MACH 6-32 .25-IN-LG PAN-HD-POZI	00000	ORDER BY DESCRIPTION
A6A5MP2	5001-0176	0		GROUND STRAP	28480	5001-0176
A6A5MP3	5001-0176	0		GROUND STRAP	28480	5001-0176
A6A5Q1	1854-0404	0		TRANSISTOR NPN SI TO-18 PD=360MW	28480	1854-0404

†Refer to Section 7 for update information.

*Factory Selected Component (Refer to Section 5).

old

Table 6-3. Replaceable Parts

Reference Designation	HP Part Number	C D	Qty.	Description	Mfr. Code	Mfr. Part Number
A6A5Q2	1853-0012	4		TRANSISTOR PNP 2N2904A SI TO-39 PD=600MW	01295	2N2904A
A6A5Q3	1854-0406	4		TRANSISTOR NPN SI TO-18 PD=300MW	28480	1854-0406
A6A5Q4	1853-0007	7		TRANSISTOR PNP 2N3251 SI TO-18 PD=360MW	04713	2N3251
A6A5Q5	1853-0451	5		TRANSISTOR PNP 2N3799 SI TO-18 PD=360MW	01295	2N3799
	1205-0037	0		HEAT SINK TO-18-CS	28480	1205-0037
A6A5Q8	1853-0007	7		TRANSISTOR PNP 2N3251 SI TO-18 PD=360MW	04713	2N3251
2234A TO 2562A						
A6A5Q7	1854-0475	5		TRANSISTOR-DUAL NPN PD=750MW	28480	1854-0475
2801A AND ABOVE						
A6A5Q7	1854-1048	8		TRANSISTOR-DUAL NPN TO-79 PD=750MW	28480	1854-1048
A6A5Q8	1853-0451	5		TRANSISTOR PNP 2N3799 SI TO-18 PD=360MW	01295	2N3799
	1205-0037	0		HEAT SINK TO-18-CS	28480	1205-0037
A6A5Q9	1854-0404	0		TRANSISTOR NPN SI TO-18 PD=360MW	28480	1854-0404
A6A5Q10	1853-0451	5		TRANSISTOR PNP 2N3799 SI TO-18 PD=360MW	01295	2N3799
	1205-0037	0		HEAT SINK TO-18-CS	28480	1205-0037
A6A5Q11	1853-0007	7		TRANSISTOR PNP 2N3251 SI TO-18 PD=360MW	04713	2N3251
A6A5Q12	1853-0451	5		TRANSISTOR PNP 2N3799 SI TO-18 PD=360MW	01295	2N3799
	1205-0037	0		HEAT SINK TO-18-CS	28480	1205-0037
A6A5Q13	1854-0247	9		TRANSISTOR NPN SI TO-39 PD=1W FT=800MHZ	28480	1854-0247
A6A5Q14	1854-0404	0		TRANSISTOR NPN SI TO-18 PD=360MW	28480	1854-0404
A6A5Q17	1855-0020	8		TRANSISTOR J-FET N-CHAN D-MODE TO-18 SI	28480	1855-0020
A6A5Q18	1855-0020	8		TRANSISTOR J-FET N-CHAN D-MODE TO-18 SI	28480	1855-0020
A6A5Q19	1855-0020	8		TRANSISTOR J-FET N-CHAN D-MODE TO-18 SI	28480	1855-0020
A6A5Q20	1855-0020	8		TRANSISTOR J-FET N-CHAN D-MODE TO-18 SI	28480	1855-0020
A6A5R1	0698-7236	7		RESISTOR 1K 1% .05W F TC=0+-100	24546	C3-1/8-TO-1001-F
A6A5R2	0698-7224	3		RESISTOR 316 1% .05W F TC=0+-100	24546	C3-1/8-TO-316R-F
A6A5R3	0698-7236	7		RESISTOR 1K 1% .05W F TC=0+-100	24546	C3-1/8-TO-1001-F
A6A5R4	0698-7236	7		RESISTOR 1K 1% .05W F TC=0+-100	24546	C3-1/8-TO-1001-F
A6A5R5	0698-7212	9		RESISTOR 100 1% .05W F TC=0+-100	24546	C3-1/8-TO-100R-F
A6A5R6	0698-7212	9		RESISTOR 100 1% .05W F TC=0+-100	24546	C3-1/8-TO-100R-F
A6A5R7	0698-7212	9		RESISTOR 100 1% .05W F TC=0+-100	24546	C3-1/8-TO-100R-F
A6A5R8	0698-7194	6		RESISTOR 17.8 1% .05W F TC=0+-100	24546	C3-1/8-TO-178R-F
A6A5R9	0698-7225	4		RESISTOR 348 1% .05W F TC=0+-100	24546	C3-1/8-TO-348R-F
A6A5R10	0698-7188	8		RESISTOR 10 1% .05W F TC=0+-100	24546	C3-1/8-TO-10R-F
A6A5R11	0698-7226	5		RESISTOR 383 1% .05W F TC=0+-100	24546	C3-1/8-TO-383R-F
A6A5R12	0698-7224	3		RESISTOR 316 1% .05W F TC=0+-100	24546	C3-1/8-TO-316R-F
A6A5R13	0698-7222	1		RESISTOR 261 1% .05W F TC=0+-100	24546	C3-1/8-TO-261R-F
A6A5R14	0698-7222	1		RESISTOR 261 1% .05W F TC=0+-100	24546	C3-1/8-TO-261R-F
A6A5R15	0698-7200	5		RESISTOR 31.6 1% .05W F TC=0+-100	24546	C3-1/8-TO-316R-F
A6A5R16	0698-7200	5		RESISTOR 31.6 1% .05W F TC=0+-100	24546	C3-1/8-TO-316R-F
A6A5R17	0698-7222	1		RESISTOR 261 1% .05W F TC=0+-100	24546	C3-1/8-TO-261R-F
A6A5R18	0698-7222	1		RESISTOR 261 1% .05W F TC=0+-100	24546	C3-1/8-TO-261R-F
A6A5R19	0698-7196	8		RESISTOR 21.5 1% .05W F TC=0+-100	24546	C3-1/8-TO-215R-F
A6A5R20	0698-7216	3		RESISTOR 147 1% .05W F TC=0+-100	24546	C3-1/8-TO-147R-F
A6A5R21	0698-7216	3		RESISTOR 147 1% .05W F TC=0+-100	24546	C3-1/8-TO-147R-F
A6A5R22	0698-7229	8		RESISTOR 511 1% .05W F TC=0+-100	24546	C3-1/8-TO-511R-F
A6A5R23	0757-0280	3		RESISTOR 1K 1% .125W F TC=0+-100	24546	C4-1/8-TO-1001-F
A6A5R24	0698-0084	9		RESISTOR 2.15K 1% .125W F TC=0+-100	24546	C4-1/8-TO-2151-F
A6A5R25	0757-0290	5		RESISTOR 6.19K 1% .125W F TC=0+-100	19701	MF4C1/8-TO-6191-F
A6A5R26	0757-0280	3		RESISTOR 1K 1% .125W F TC=0+-100	24546	C4-1/8-TO-1001-F

†Refer to Section 7 for update information.

*Factory Selected Component (Refer to Section 5).

Table 6-3. Replaceable Parts

Reference Designation	HP Part Number	C D	Qty.	Description	Mfr. Code	Mfr. Part Number
A6A6						
A6A6	08662-60105	4	1	RF MIXER, RS LOOP ASSEMBLY	28480	08662-60105
A6A6C1	0160-3879	7		CAPACITOR-FXD .01UF +-20% 100VDC CER	28480	0160-3879
A6A6C2	0160-3879	7		CAPACITOR-FXD .01UF +-20% 100VDC CER	28480	0160-3879
A6A6C3	0160-2818	2		CAPACITOR-FXD 33UF+-10% 10VDC TA	25088	D33GS1B10K
A6A6C4	0160-2619	3		CAPACITOR-FXD 22UF+-10% 15VDC TA	25088	D22GS1B15K
A6A6C5	0160-3878	6		CAPACITOR-FXD 1000PF +-20% 100VDC CER	28480	0160-3878
A6A6C6	0160-3878	6		CAPACITOR-FXD 1000PF +-20% 100VDC CER	28480	0160-3878
A6A6C7	0160-3878	6		CAPACITOR-FXD 1000PF +-20% 100VDC CER	28480	0160-3878
A6A6C8	0160-3878	6		CAPACITOR-FXD 1000PF +-20% 100VDC CER	28480	0160-3878
A6A6C9	0160-3878	6		CAPACITOR-FXD 1000PF +-20% 100VDC CER	28480	0160-3878
A6A6C10	0160-3878	6		CAPACITOR-FXD 1000PF +-20% 100VDC CER	28480	0160-3878
A6A6C11	0160-3878	6		CAPACITOR-FXD 1000PF +-20% 100VDC CER	28480	0160-3878
A6A6C12	0160-3878	6		CAPACITOR-FXD 1000PF +-20% 100VDC CER	28480	0160-3878
A6A6C13	0160-3878	6		CAPACITOR-FXD 1000PF +-20% 100VDC CER	28480	0160-3878
A6A6C14	0160-3878	6		CAPACITOR-FXD 1000PF +-20% 100VDC CER	28480	0160-3878
A6A6C15	0160-3878	6		CAPACITOR-FXD 1000PF +-20% 100VDC CER	28480	0160-3878
A6A6C16	0160-3878	6		CAPACITOR-FXD 1000PF +-20% 100VDC CER	28480	0160-3878
A6A6C17	0160-3878	6		CAPACITOR-FXD 1000PF +-20% 100VDC CER	28480	0160-3878
A6A6C18	0160-3877	5		CAPACITOR-FXD 100PF +-20% 200VDC CER	28480	0160-3877
A6A6C19	0160-3878	6		CAPACITOR-FXD 1000PF +-20% 100VDC CER	28480	0160-3878
A6A6C20	0160-3878	6		CAPACITOR-FXD 1000PF +-20% 100VDC CER	28480	0160-3878
A6A6C21	0160-3875	3		CAPACITOR-FXD 22PF +-5% 200VDC CER 0+-30	28480	0160-3875
A6A6C22	0160-4547	8	2	CAPACITOR-FXD 150PF +-5% 200VDC CER	28480	0160-4547
A6A6C23	0160-3874	2		CAPACITOR-FXD 10PF +-5PF 200VDC CER	28480	0160-3874
A6A6C24	0160-5970	3		CAPACITOR-FXD 3.9PF +-5PF 50VDC CER	28480	0160-5970
A6A6C25	0160-5970	3		CAPACITOR-FXD 3.9PF +-5PF 50VDC CER	28480	0160-5970
A6A6J1	1250-1220	0		CONNECTOR-RF SMC M PC 50-OHM	28480	1250-1220
	2950-0078	9		NUT-HEX-DBL-CHAM 10-32-THD .067-IN-THK	28480	2950-0078
	2190-0124	4		WASHER-LK INTL T NO. 10 .195-IN-ID	28480	2190-0124
A6A6L1	9100-3922	4		COIL 3.0UH	28480	9100-3922
A6A6L2	9100-3922	4		COIL 3.0UH	28480	9100-3922
A6A6L3	9140-0210	1		INDUCTOR RF-CH-MLD 100UH 5% .166DX.385LG	28480	9140-0210
A6A6L4	9140-0210	1		INDUCTOR RF-CH-MLD 100UH 5% .166DX.385LG	28480	9140-0210
A6A6L5	9135-0073	3		INDUCTOR RF-CH-MLD 51NH 8% .102DX.26LG	28480	9135-0073
A6A6L6	9100-2255	4		INDUCTOR RF-CH-MLD 470NH 10% .105DX.26LG	28480	9100-2255
A6A6L7	9100-2255	4		INDUCTOR RF-CH-MLD 470NH 10% .105DX.26LG	28480	9100-2255
A6A6L8	9100-2247	4		INDUCTOR RF-CH-MLD 100NH 10% .105DX.26LG	28480	9100-2247
A6A6MP1	08662-00109	2	1	COVER- 1/8 END	28480	08662-00109
	2380-0113	2		SCREW-MACH 6-32 .25-IN-LG PAN-HD-POZI	00000	ORDER BY DESCRIPTION
A6A6MP2	5001-0178	0		GROUND STRAP	28480	5001-0178
A6A6MP3	5001-0178	0		GROUND STRAP	28480	5001-0178
A6A6MP4				NOT ASSIGNED		
A6A6Q1	1854-0720	3		TRANSISTOR NPN SI PD=500MW FT=4GHZ	28480	1854-0720
A6A6R1	0698-7224	3		RESISTOR 316 1% .05W F TC=0+-100	24546	C3-1/8-TO-318R-F

†Refer to Section 7 for update information.

*Factory Selected Component (Refer to Section 5).

old

Table 6-3. Replaceable Parts

Reference Designation	HP Part Number	C D	Qty.	Description	Mfr. Code	Mfr. Part Number
A6A6R2	0698-7194	6		RESISTOR 17.8 1% .05W F TC=0+-100	24546	C3-1/8-TO-17R8-F
A6A6R3	0698-7218	3	18	RESISTOR 147 1% .05W F TC=0+-100	24546	C3-1/8-TO-147R-F
A6A6R4	0757-0180	2	7	RESISTOR 31.6 1% .125W F TC=0+-100	28480	0757-0180
A6A6R5	0698-7202	7	1	RESISTOR 38.3 1% .05W F TC=0+-100	24546	C3-1/8-TO-38R3-F
A6A6R6	0698-7229	8		RESISTOR 511 1% .05W F TC=0+-100	24546	C3-1/8-TO-511R-F
A6A6R7	0698-7218	3		RESISTOR 147 1% .05W F TC=0+-100	24546	C3-1/8-TO-147R-F
A6A6R8	0698-7218	3		RESISTOR 147 1% .05W F TC=0+-100	24546	C3-1/8-TO-147R-F
A6A6R9	0698-3430	5	14	RESISTOR 21.5 1% .125W F TC=0+-100	03888	PME55-1/8-TO-21R5-F
A6A6R10	0698-7196	8		RESISTOR 21.5 1% .05W F TC=0+-100	24546	C3-1/8-TO-21R5-F
A6A6R11	0698-3430	5		RESISTOR 21.5 1% .125W F TC=0+-100	03888	PME55-1/8-TO-21R5-F
A6A6R12	0757-0180	2		RESISTOR 31.6 1% .125W F TC=0+-100	28480	0757-0180
A6A6R13	0698-7227	6		RESISTOR 422 1% .05W F TC=0+-100	24546	C3-1/8-TO-422R-F
A6A6R14	0698-7218	3		RESISTOR 147 1% .05W F TC=0+-100	24546	C3-1/8-TO-147R-F
A6A6R15	0698-3430	5		RESISTOR 21.5 1% .125W F TC=0+-100	03888	PME55-1/8-TO-21R5-F
A6A6R16	0698-7224	3		RESISTOR 316 1% .05W F TC=0+-100	24546	C3-1/8-TO-316R-F
A6A6R17	0698-3430	5		RESISTOR 21.5 1% .125W F TC=0+-100	03888	PME55-1/8-TO-21R5-F
A6A6R18	0698-7218	3		RESISTOR 147 1% .05W F TC=0+-100	24546	C3-1/8-TO-147R-F
A6A6R19	0698-7232	3		RESISTOR 881 1% .05W F TC=0+-100	24546	C3-1/8-TO-881R-F
A6A6R20	0698-7196	8		RESISTOR 21.5 1% .05W F TC=0+-100	24546	C3-1/8-TO-21R5-F
A6A6R21	0757-0384	0		RESISTOR 51.1 1% .125W F TC=0+-100	24546	C4-1/8-TO-51R1-F
A6A6R22	0698-7196	8		RESISTOR 21.5 1% .05W F TC=0+-100	24546	C3-1/8-TO-21R5-F
A6A6R23	0698-7196	8		RESISTOR 21.5 1% .05W F TC=0+-100	24546	C3-1/8-TO-21R5-F
A6A6U1	1826-0372	2		IC, LIMITER	28480	1826-0372
A6A6U2	1826-0372	2		IC, LIMITER	28480	1826-0372
A6A6U3	0955-0098	9		MIXER, DOUBLE-BALANCE	28480	0955-0098
A6A6W1	08662-20048	0	2	CABLE, SEMI-RIGID (PART OF J2)	28480	08662-20048

†Refer to Section 7 for update information.

*Factory Selected Component (Refer to Section 5).

old

Table 6-3. Replaceable Parts

Reference Designation	HP Part Number	C D	Qty.	Description	Mfr. Code	Mfr. Part Number
A6A8						
A6A8	08662-60107	6	1	RF MIXER, OS LOOP ASSEMBLY	28480	08662-60107
A6A8C1	0160-3879	7		CAPACITOR-FXD .01UF +-20% 100VDC CER	28480	0160-3879
A6A8C2	0160-3879	7		CAPACITOR-FXD .01UF +-20% 100VDC CER	28480	0160-3879
A6A8C3	0180-2618	2		CAPACITOR-FXD 33UF+-10% 10VDC TA	25088	D33G51B10K
A6A8C4	0160-2619	3		CAPACITOR-FXD 22UF+-10% 15VDC TA	25088	D22G51B15K
A6A8C5	0160-3878	6		CAPACITOR-FXD 1000PF +-20% 100VDC CER	28480	0160-3878
A6A8C6	0160-3878	6		CAPACITOR-FXD 1000PF +-20% 100VDC CER	28480	0160-3878
A6A8C7	0160-3878	6		CAPACITOR-FXD 1000PF +-20% 100VDC CER	28480	0160-3878
A6A8C8	0160-3878	6		CAPACITOR-FXD 1000PF +-20% 100VDC CER	28480	0160-3878
A6A8C9	0160-3878	6		CAPACITOR-FXD 1000PF +-20% 100VDC CER	28480	0160-3878
A6A8C10	0160-3878	6		CAPACITOR-FXD 1000PF +-20% 100VDC CER	28480	0160-3878
A6A8C11	0160-3878	6		CAPACITOR-FXD 1000PF +-20% 100VDC CER	28480	0160-3878
A6A8C12	0160-3878	6		CAPACITOR-FXD 1000PF +-20% 100VDC CER	28480	0160-3878
A6A8C13	0160-3878	6		CAPACITOR-FXD 1000PF +-20% 100VDC CER	28480	0160-3878
A6A8C14	0160-3878	6		CAPACITOR-FXD 1000PF +-20% 100VDC CER	28480	0160-3878
A6A8C15	0160-3878	6		CAPACITOR-FXD 1000PF +-20% 100VDC CER	28480	0160-3878
A6A8C16	0160-3878	6		CAPACITOR-FXD 1000PF +-20% 100VDC CER	28480	0160-3878
A6A8C17	0160-3878	6		CAPACITOR-FXD 1000PF +-20% 100VDC CER	28480	0160-3878
A6A8C18	0160-3877	5		CAPACITOR-FXD 100PF +-20% 200VDC CER	28480	0160-3877
A6A8C19	0160-3878	6		CAPACITOR-FXD 1000PF +-20% 100VDC CER	28480	0160-3878
A6A8C20	0160-3878	6		CAPACITOR-FXD 1000PF +-20% 100VDC CER	28480	0160-3878
A6A8C21	0160-3875	3		CAPACITOR-FXD 22PF +-5% 200VDC CER 0+-30	28480	0160-3875
A6A8C22	0160-4547	8		CAPACITOR-FXD 150PF +-5% 200VDC CER	28480	0160-4547
A6A8C23	0180-3874	2		CAPACITOR-FXD 10PF +-5PF 200VDC CER	28480	0160-3874
A6A8C24	0180-4518	3		CAPACITOR-FXD 3.9PF +-5PF 200VDC CER	28480	0160-4518
A6A8C25	0180-4518	3		CAPACITOR-FXD 3.9PF +-5PF 200VDC CER	28480	0160-4518
A6A8J1	1250-1220	0		CONNECTOR-RF SMC M PC 50-OHM	28480	1250-1220
	2190-0124	4		WASHER-LK INTL T NO. 10 .195-IN-ID	28480	2190-0124
	2950-0078	9		NUT-HEX-DBL-CHAM 10-32-THD .067-IN-THK	28480	2950-0078
	2190-0124	4		WASHER-LK INTL T NO. 10 .195-IN-ID	28480	2190-0124
	2950-0078	9		NUT-HEX-DBL-CHAM 10-32-THD .067-IN-THK	28480	2950-0078
A6A8L1	9100-3922	4		COIL 3.0UH	28480	9100-3922
A6A8L2	9100-3922	4		COIL 3.0UH	28480	9100-3922
A6A8L3	9140-0210	1		INDUCTOR RF-CH-MLD 100UH 5% .168DX.385LG	28480	9140-0210
A6A8L4	9140-0210	1		INDUCTOR RF-CH-MLD 100UH 5% .168DX.385LG	28480	9140-0210
A6A8L5	9135-0073	3		INDUCTOR, 051 UH	28480	9135-0073
A6A8L6	9100-2255	4		INDUCTOR RF-CH-MLD 470NH 10% .105DX.26LG	28480	9100-2255
A6A8L7	9100-2255	4		INDUCTOR RF-CH-MLD 470NH 10% .105DX.26LG	28480	9100-2255
A6A8L8	9100-2247	4		INDUCTOR RF-CH-MLD 100NH 10% .105DX.26LG	28480	9100-2247
A6ABMP1	08662-00012	6	1	COVER- 1/3 END	28480	08662-00012
	2380-0113	2		SCREW-MACH 6-32 .25-IN-LG PAN-HD-POZI	00000	ORDER BY DESCRIPTION
A6ABMP2	5001-0176	0		GROUND STRAP	28480	5001-0176
A6ABMP3	5001-0176	0		GROUND STRAP	28480	5001-0176
A6ABMP4				NOT ASSIGNED		
A6ABMP5	7120-8042	9	1	LABEL-IDENTIFICATION	28480	7120-8042

†Refer to Section 7 for update information:

*Factory Selected Component (Refer to Section 5).

Table 6-3. Replaceable Parts

old

Reference Designation	HP Part Number	C D	Qty.	Description	Mfr. Code	Mfr. Part Number
A6A8Q1	1854-0720	3		TRANSISTOR NPN SI PD=500MW FT=4GHZ	28480	1854-0720
A6A8R1	0698-7224	3		RESISTOR 318 1% .05W F TC=0+-100	24546	C3-1/8-TO-318R-F
A6A8R2	0698-7194	6		RESISTOR 17.8 1% .05W F TC=0+-100	24546	C3-1/8-TO-17R8-F
A6A8R3	0698-7224	3		RESISTOR 318 1% .05W F TC=0+-100	24546	C3-1/8-TO-318R-F
A6A8R4	0757-0180	2		RESISTOR 31.8 1% .125W F TC=0+-100	28480	0757-0180
A6A8R5	0698-7194	6		RESISTOR 17.8 1% .05W F TC=0+-100	24546	C3-1/8-TO-17R8-F
A6A8R6	0698-7229	8		RESISTOR 511 1% .05W F TC=0+-100	24546	C3-1/8-TO-511R-F
A6A8R7	0698-7224	3		RESISTOR 318 1% .05W F TC=0+-100	24546	C3-1/8-TO-318R-F
A6A8R8	0698-7216	3		RESISTOR 147 1% .05W F TC=0+-100	24546	C3-1/8-TO-147R-F
A6A8R9	0698-3430	5		RESISTOR 21.5 1% .125W F TC=0+-100	03888	PME55-1/8-TO-21R5-F
A6A8R10	0698-7196	8		RESISTOR 21.5 1% .05W F TC=0+-100	24546	C3-1/8-TO-21R5-F
A6A8R11	0698-3430	5		RESISTOR 21.5 1% .125W F TC=0+-100	03888	PME55-1/8-TO-21R5-F
A6A8R12	0757-0180	2		RESISTOR 31.8 1% .125W F TC=0+-100	28480	0757-0180
A6A8R13	0698-7227	6		RESISTOR 422 1% .05W F TC=0+-100	24546	C3-1/8-TO-422R-F
A6A8R14	0698-7216	3		RESISTOR 147 1% .05W F TC=0+-100	24546	C3-1/8-TO-147R-F
A6A8R15	0698-3430	5		RESISTOR 21.5 1% .125W F TC=0+-100	03888	PME55-1/8-TO-21R5-F
A6A8R16	0698-7224	3		RESISTOR 318 1% .05W F TC=0+-100	24546	C3-1/8-TO-318R-F
A6A8R17	0698-3430	5		RESISTOR 21.5 1% .125W F TC=0+-100	03888	PME55-1/8-TO-21R5-F
A6A8R18	0698-7216	3		RESISTOR 147 1% .05W F TC=0+-100	24546	C3-1/8-TO-147R-F
A6A8R19	0698-7232	3		RESISTOR 681 1% .05W F TC=0+-100	24546	C3-1/8-TO-681R-F
A6A8R20	0698-7196	8		RESISTOR 21.5 1% .05W F TC=0+-100	24546	C3-1/8-TO-21R5-F
A6A8R21	0757-0394	0		RESISTOR 51.1 1% .125W F TC=0+-100	24546	C4-1/8-TO-51R1-F
A6A8R22	0698-7196	8		RESISTOR 21.5 1% .05W F TC=0+-100	24546	C3-1/8-TO-21R5-F
A6A8R23	0698-7196	8		RESISTOR 21.5 1% .05W F TC=0+-100	24546	C3-1/8-TO-21R5-F
A6A8U1	1826-0372	2		IC, LIMITER	28480	1826-0372
A6A8U2	1826-0372	2		IC, LIMITER	28480	1826-0372
A6A8U3	0955-0096	9		MIXER, DOUBLE-BALANCE	28480	0955-0096
A6ABW1	08662-20048	0		CABLE, SEMI-RIGID (INCLUDES J2)	28480	08662-20048

†Refer to Section 7 for update information.

*Factory Selected Component (Refer to Section 5).

pld

Table 6-3. Replaceable Parts

Reference Designation	HP Part Number	C D	Qty.	Description	Mfr. Code	Mfr. Part Number
A6A9R46	0698-0084	9		RESISTOR 2.15K 1% .125W F TC=0+-100	24546	C4-1/8-T0-2151-F
A6A9R47	0698-3160	8		RESISTOR 31.6K 1% .125W F TC=0+-100	24546	C4-1/8-T0-3162-F
A6A9R48	0757-0400	9		RESISTOR 90.9 1% .125W F TC=0+-100	24546	C4-1/8-T0-9099-F
A6A9R49	0757-0279	0		RESISTOR 3.16K 1% .125W F TC=0+-100	24546	C4-1/8-T0-3161-F
A6A9R50	0757-0280	3		RESISTOR 1K 1% .125W F TC=0+-100	24546	C4-1/8-T0-1001-F
A6A9R51	0698-3160	8		RESISTOR 31.6K 1% .125W F TC=0+-100	24546	C4-1/8-T0-3162-F
A6A9R52	0698-4037	0		RESISTOR 48.4 1% .125W F TC=0+-100	24546	C4-1/8-T0-48R4-F
A6A9R53	0757-0279	0		RESISTOR 3.16K 1% .125W F TC=0+-100	24546	C4-1/8-T0-3161-F
A6A9R54	0757-0420	3		RESISTOR 750 1% .125W F TC=0+-100	24546	C4-1/8-T0-751-F
A6A9R55	0698-3160	8		RESISTOR 31.6K 1% .125W F TC=0+-100	24546	C4-1/8-T0-3162-F
A6A9R56	0698-0084	9		RESISTOR 2.15K 1% .125W F TC=0+-100	24546	C4-1/8-T0-2151-F
A6A9R57	0698-0084	9		RESISTOR 2.15K 1% .125W F TC=0+-100	24546	C4-1/8-T0-2151-F
A6A9R58	0698-0084	9		RESISTOR 2.15K 1% .125W F TC=0+-100	24546	C4-1/8-T0-2151-F
A6A9R59	0698-3391	7		RESISTOR 21.5 1% .5W F TC=0+-100	26480	0698-3391
A6A9TP1	1251-0600	0		CONNECTOR-3GL CONT PIN 1.14-MM-BSC-SZ SQ	26480	1251-0600
A6A9TP2	1251-0600	0		CONNECTOR-3GL CONT PIN 1.14-MM-BSC-SZ SQ	26480	1251-0600
A6A9U1	08662-80005	5	1	PROM, PROGRAMMED	26480	08662-80005
A6A9U2	08662-80006	6	1	PROM, PROGRAMMED	26480	08662-80006
A6A9U3	08662-80007	7	1	PROM, PROGRAMMED	26480	08662-80007
A6A9VR1	1902-3171	7		DIODE-ZNR 11V 5% DO-35 PD=.4W TC=+.062%	26480	1902-3171
A6A9VR2	1902-3171	7		DIODE-ZNR 11V 5% DO-35 PD=.4W TC=+.062%	26480	1902-3171
A6A9VR3	1902-3171	7		DIODE-ZNR 11V 5% DO-35 PD=.4W TC=+.062%	26480	1902-3171

† Refer to Section 7 for update information.

* Factory Selected Component (Refer to Section 5.)

6-157/
(6-158 blank)

old

Table 6-3. Replaceable Parts

Reference Designation	HP Part Number	C D	Qty.	Description	Mfr. Code	Mfr. Part Number
A7A4						
2234A TO 2537A						
A7A4 †	08862-60156	5	1	POWER SUPPLY MOTHER BOARD	26480	08662-60156
2645A AND ABOVE						
A7A4	08662-60376	1	1	POWER SUPPLY MOTHER BOARD	26480	08662-60376
A7A4Q1	0150-0012	3	1	CAPACITOR-FXD .01UF +-20% 1KVDC CER	56289	C023A102J103MS38
A7A4C2	0180-2835	5	2	CAPACITOR-FXD 800UF+50-10% 250VDC AL	28480	0180-2835
	2680-0129	8	8	SCREW-MACH 10-32 .312-IN-LG PAN-HD-POZI	00000	ORDER BY DESCRIPTION
	2190-0011	8	8	WASHER-LK INTL T NO. 10 .195-IN-ID	28480	2190-0011
A7A4C3	0180-2835	5		CAPACITOR-FXD 800UF+50-10% 250VDC AL	28480	0180-2835
	2680-0129	8		SCREW-MACH 10-32 .312-IN-LG PAN-HD-POZI	00000	ORDER BY DESCRIPTION
	2190-0011	8		WASHER-LK INTL T NO. 10 .195-IN-ID	28480	2190-0011
A7A4C4	0160-4851	7	1	CAPACITOR-FXD .022UF +-20% 250VAC(RMS)	28480	0160-4851
A7A4C5	0160-0168	1		CAPACITOR-FXD .1UF +-10% 200VDC POLYE	28480	0160-0168
A7A4C6	0180-2862	8	1	CAPACITOR-FXD .015F+-20% 7.5VDC AL	28480	0180-2862
	2680-0129	8		SCREW-MACH 10-32 .312-IN-LG PAN-HD-POZI	00000	ORDER BY DESCRIPTION
	2190-0011	8		WASHER-LK INTL T NO. 10 .195-IN-ID	28480	2190-0011
A7A4C7	0180-2208	8		CAPACITOR-FXD 220UF+-10% 10VDC TA	56289	150D227X9010S2
2234A TO 2537A						
A7A4CR1	1901-0494	9	6	DIODE-PWR RECT 1N5003 1KV 1.5A	04713	1N5003
A7A4CR2	1901-0494	9		DIODE-PWR RECT 1N5003 1KV 1.5A	04713	1N5003
A7A4CR3	1901-0494	9		DIODE-PWR RECT 1N5003 1KV 1.5A	04713	1N5003
A7A4CR4	1901-0494	9		DIODE-PWR RECT 1N5003 1KV 1.5A	04713	1N5003
A7A4CR5	1901-0494	9		DIODE-PWR RECT 1N5003 1KV 1.5A	04713	1N5003
A7A4CR6	1901-0494	9		DIODE-PWR RECT 1N5003 1KV 1.5A	04713	1N5003
2645A AND ABOVE						
A7A4CR1	1901-1188	0		DIODE-PWR RECT 800VA	28480	1901-1188
A7A4CR2	1901-1188	0		DIODE-PWR RECT 800VA	28480	1901-1188
A7A4CR3	1901-1188	0		DIODE-PWR RECT 800VA	28480	1901-1188
A7A4CR4	1901-1188	0		DIODE-PWR RECT 800VA	28480	1901-1188
A7A4CR5	1901-1188	0		DIODE-PWR RECT 800VA	28480	1901-1188
A7A4CR6	1901-1188	0		DIODE-PWR RECT 800VA	28480	1901-1188
A7A4K1	0490-1173	9	1	RELAY 1C 5VDC-COIL 2A 220VAC	28480	0490-1173
A7A4Q1	1884-0268	7	1	THYRISTOR-SCR 2N6508 TO-220AB VRRM=800	04713	2N6508
	2190-0007	2		WASHER-LK INTL T NO. 6 .141-IN-ID	28480	2190-0007
	2200-0101	0	1	SCREW-MACH 4-40 .188-IN-LG PAN-HD-POZI	00000	ORDER BY DESCRIPTION
A7A4Q2	1884-0329	1	1	THYRISTOR-BDT MBS4992 TO-92	03508	1884-0329
A7A4R1	0698-0085	0		RESISTOR 2.61K 1% .125W F TC=0+-100	24546	C4-1/8-T0-2611-F
A7A4R2	0764-0006	8		RESISTOR 18K 5% 2W MO TC=0+-200	28480	0764-0006
A7A4R3	0764-0006	6		RESISTOR 18K 5% 2W MO TC=0+-200	28480	0764-0006
A7A4R4	0698-3132	4		RESISTOR 261 1% .125W F TC=0+-100	24546	C4-1/8-T0-2610-F
A7A4R5	0757-0290	5		RESISTOR 8.19K 1% .125W F TC=0+-100	19701	MF4C1/8-T0-8191-F
A7A4R6	0698-3433	8	1	RESISTOR 28.7 1% .125W F TC=0+-100	03888	PME55-1/8-T0-2BR7-F
A7A4R7	0757-0401	0		RESISTOR 100 1% .125W F TC=0+-100	24546	C4-1/8-T0-101-F
A7A4R8	0811-1883	2	1	RESISTOR 5 5% 10W PW TC=0+-50	28480	0811-1883
A7A4R9	0698-3182	0		RESISTOR 48.4K 1% .125W F TC=0+-100	24546	C4-1/8-T0-4842-F
A7A4R10	0757-0443	0		RESISTOR 11K 1% .125W F TC=0+-100	24546	C4-1/8-T0-1102-F
A7A4R11	0757-0466	7	2	RESISTOR 110K 1% .125W F TC=0+-100	24546	C4-1/8-T0-1103-F

† Refer to Section 7 for update information.

* Factory Selected Component (Refer to Section 5).

Replaceable Parts

old

Model 8663A

Table 6-3. Replaceable Parts

Reference Designation	HP Part Number	C D	Qty.	Description	Mfr. Code	Mfr. Part Number
A7A4R12	0811-3514	8	1	RESISTOR .005 5% 5W PW TC=0+-90	28480	0811-3514
A7A4R13	0811-3288	3	1	RESISTOR .025 10% 2W PW TC=0+-180	28480	0811-3288
A7A4RT1	0837-0366	8	1	THERMISTOR SURGE PTCTR 5 OHM AT 25 DEG C	28480	0837-0366
A7A4VR1	1902-0668	1	1	DIODE-ZNR 200V 5% DO-15 PD=1W TC=+.088%	28480	1902-0668
A7A4VR2	1902-0666	9	1	DIODE-ZNR 162V 5% DO-15 PD=1W TC=+.091%	28480	1902-0666
A7A4XA7A1A	1251-1831	9	6	CONNECTOR-PC EDGE 10-CONT/ROW 1-ROW	28480	1251-1831
A7A4XA7A1B	1251-1833	1	9	CONNECTOR-PC EDGE 15-CONT/ROW 1-ROW	28480	1251-1833
A7A4XA7A2	1251-1834	2		CONNECTOR-PC EDGE 18-CONT/ROW 1-ROW	28480	1251-1834
A7A4XA7A3	1251-5557	8	1	CONNECTOR-PC EDGE 22-CONT/ROW 1-ROW	28480	1251-5557
	0510-0160	8	2	NUT-HEX-OBL-CHAM 4-40-THD .122-IN-THK	00000	ORDER BY DESCRIPTION
	0570-0031	8	2	SCREW-MACH 4-40 .5-IN-LG RD-HD-SLT	00000	ORDER BY DESCRIPTION

†Refer to Section 7 for update information.

*Factory Selected Component (Refer to Section 5).

Table 6-3. Replaceable Parts

Reference Designation	HP Part Number	C D	Qty.	Description	Mfr. Code	Mfr. Part Number
A8						
A8C1	0160-3036	8		CAPACITOR-FDTHRU 5000PF +80 -20% 200V	28480	0160-3036
A8C2	0160-3036	8		CAPACITOR-FDTHRU 5000PF +80 -20% 200V	28480	0160-3036
A8C3	0160-3036	8		CAPACITOR-FDTHRU 5000PF +80 -20% 200V	28480	0160-3036
A8C4	0160-3036	8		CAPACITOR-FDTHRU 5000PF +80 -20% 200V	28480	0160-3036
A8C5	0160-3036	8		CAPACITOR-FDTHRU 5000PF +80 -20% 200V	28480	0160-3036
2234A TO 2405A A8C6				NOT ASSIGNED		
2408A AND ABOVE A8C6	0160-3036	8	8	CAPACITOR-FDTHRU 5000PF +80 -20% 200V	28480	0160-3036
A8MP1	0905-0741	6	1	GASKET, FOAM, SMALL	28480	0905-0741
A8MP2	0905-0742	7	1	GASKET, FOAM, LARGE	28480	0905-0742
A8MP3	5040-0394	6	1	BUTTON-INT	28480	5040-0394
A8MP4	5040-0395	7	2	BUTTON-EXT	28480	5040-0395
A8MP5	08660-00100	1	4	DAMPING PAD, FOAM	28480	08660-00100
A8MP6	08662-00124	1		RUBBER FOAM	28480	08662-00124
A8MP7	08662-00154	7	1	GASKET, 10 MHZ	28480	08662-00154
A8MP8	08662-20310	9	1	CASTING, BOTTOM 350 MHZ	28480	08662-20310
A8MP9	08662-20021	9	1	CASTING, COVER 10 MHZ	28480	08662-20021
2234A TO 2405A A8MP10	08662-20311	0	1	CASTING, BASE, 10 MHZ	28480	08662-20311
2408A AND ABOVE A8MP10	08662-20323	4	1		28480	08662-20323
A8MP11	08662-20037	7	1	LIMIT, CASTING	28480	08662-20037
A8MP12	08662-20284	6	1	CONTACT-FINGERS	28480	08662-20284
A8MP13	08662-00155	9	1	GASKET, 350 MHZ	28480	08662-00155
A8MP14	08662-20019	5	1	CASTING COVER, 350 MHZ	28480	08662-20019
A8MP15	2200-0509	2	9	SCREW-MACH 4-40 1.625-IN-LG PAN-HD-POZI	00000	ORDER BY DESCRIPTION
A8MP16	2190-0003	8		CONNECTOR	28480	2190-0003
A8MP17	08662-00023	9	1	PLATE, HF OSCILLATORS SUPPORT	28480	08662-00023
A8MP18	08662-20282	4	1	CONTACT-FINGERS	28480	08662-20282
A8MP19	08662-20283	5	1	CONTACT-FINGERS	28480	08662-20283
				A8 MISCELLANEOUS PARTS		
	0360-0037	7	5	TERMINAL-SLDR LUG PL-MTG FOR-# 6-SCR	28480	0360-0037
	0362-0227	1	3	CONNECTOR-SGL CONT SKT 1.14-MM-BSC-SZ	28480	0362-0227
	0890-0041	6		TUBING-HS .11-D/.08-RCVD .016-WALL PVC	00000	ORDER BY DESCRIPTION
	2190-0003	8	14	WASHER-LK HLCL NO. 4 .115-IN-ID	28480	2190-0003
	2190-0124	4		WASHER-LK INTL T NO. 10 .195-IN-ID	28480	2190-0124
	2200-0103	2		SCREW-MACH 4-40 .25-IN-LG PAN-HD-POZI	28480	2200-0103
	2200-0105	4		SCREW-MACH 4-40 .312-IN-LG PAN-HD-POZI	00000	ORDER BY DESCRIPTION
	2200-0111	2	1	SCREW-MACH 4-40 .5-IN-LG PAN-HD-POZI	00000	ORDER BY DESCRIPTION
	2950-0078	9		NUT-HEX-DBL-CHAM 10-32-THD .067-IN-THK	28480	2950-0078
	8160-0054	2		RFI ROUND STRIP CU SN-PL .07-IN-OD	28480	8160-0054

† Refer to Section 7 for update information.

* Factory Selected Component (Refer to Section 5.)

Replaceable Parts

old

Model 8663A

Table 6-3. Replaceable Parts

Reference Designation	HP Part Number	C D	Qty.	Description	Mfr. Code	Mfr. Part Number
A8A1						
A8A1	08662-60001	9	2	VCO (NOT RECOMMENDED FOR FIELD REPAIR)	28480	08662-60001
A8A1	08662-80083	7	2	RESTORED VCO ASSEMBLY	28480	08662-80083
A8A1MP1	08662-80081	7	1	FACTORY REPAIR LABEL	28480	08662-80081
A8A2						
<i>2234A TO 2313A</i>						
A8A2 †	08662-60001	9		VCO (NOT RECOMMENDED FOR FIELD REPAIR)	28480	08662-60001
<i>2319A AND ABOVE</i>						
A8A2	08662-80317	0	1	VCO (NOT RECOMMENDED FOR FIELD REPAIR)	28480	08662-80317
A8A2	08662-80083	7		RESTORED VCO ASSEMBLY	28480	08662-80083
A8A1MP1	08662-80081	7	1	FACTORY REPAIR LABEL	28480	08662-80081
A8A3						
<i>2234A TO 2446A</i>						
A8A3 †	10544B(003)	6	1	10MHZ REFERENCE OSCILLATOR NOT RECOMMENDED FOR FIELD REPAIR	28480	10544B(003)
<i>2447A AND ABOVE</i>						
A8A3	5061-6002	8	1	10MHZ REFERENCE OSCILLATOR (NOT RECOMMENDED FOR FIELD REPAIR)	28480	10811-60111
A8A3	08662-60085	8	1	RESTORED VCO ASSEMBLY	28480	08662-60085

†Refer to Section 7 for update information.

*Factory Selected Component (Refer to Section 5).

old

Table 6-3. Replaceable Parts

Reference Designation	HP Part Number	C D	Qty.	Description	Mfr. Code	Mfr. Part Number
A12A2						
A12A2	08663-60303	5	1	UHF MODULATOR ASSEMBLY	28480	08663-60303
A12A2C1	0160-4779	8	3	CAPACITOR-FXD 10PF +-2% 200VDC CER 0+-30	28480	0160-4779
A12A2C2	0160-3878	6		CAPACITOR-FXD 1000PF +-20% 100VDC CER	28480	0160-3878
A12A2C3	0160-3878	6		CAPACITOR-FXD 1000PF +-20% 100VDC CER	28480	0160-3878
A12A2C4	0160-3878	6		CAPACITOR-FXD 1000PF +-20% 100VDC CER	28480	0160-3878
A12A2C5	0160-3878	6		CAPACITOR-FXD 1000PF +-20% 100VDC CER	28480	0160-3878
A12A2C6	0160-3878	6		CAPACITOR-FXD 1000PF +-20% 100VDC CER	28480	0160-3878
A12A2C7	0160-4768	5	5	CAPACITOR-FXD 470PF +-5% 100VDC CER	28480	0160-4768
A12A2C8	0160-4084	8		CAPACITOR-FXD .1UF +-20% 50VDC CER	28480	0160-4084
A12A2C9	0160-4084	8		CAPACITOR-FXD .1UF +-20% 50VDC CER	28480	0160-4084
A12A2C10	0160-4084	8		CAPACITOR-FXD .1UF +-20% 50VDC CER	28480	0160-4084
A12A2C11	0180-1746	5		CAPACITOR-FXD 15UF+-10% 20VDC TA	56289	150D156X9020B2
A12A2C12	9135-0002	8		FILTER-LOW PASS SOLDER-TERMS	33095	51-744-018
A12A2C13	0180-2819	3		CAPACITOR-FXD 22UF+-10% 15VDC TA	25088	D22GS1B15K
2234A TO 2604A A12A2C14	0160-3879	7		CAPACITOR-FXD .01UF +-20% 100VDC CER	28480	0160-3879
2615A AND ABOVE A12A2C14	0160-3879	7		CAPACITOR-FXD .01UF +-20% 100VDC CER	28480	0160-3879
A12A2C15	0160-4518	3		CAPACITOR-FXD 3.9PF +-5PF 200VDC CER	28480	0160-4518
A12A2C16	0160-4518	3		CAPACITOR-FXD 3.9PF +-5PF 200VDC CER	28480	0160-4518
A12A2C17	0160-4389	6		CAPACITOR-FXD 100PF +-5PF 200VDC CER	28480	0160-4389
A12A2C18	0160-4768	5		CAPACITOR-FXD 470PF +-5% 100VDC CER	28480	0160-4768
A12A2C19	0160-4768	5		CAPACITOR-FXD 470PF +-5% 100VDC CER	28480	0160-4768
A12A2C20	0160-4303	4		CAPACITOR-FXD .027UF +-10% 50VDC CER	26854	3BX50S273K
A12A2C21	0160-3588	1		CAPACITOR-FXD 2.7PF +-5% 200VDC CER	51642	100-100-NP0-279J
A12A2C22	0160-4765	2	2	CAPACITOR-FXD 36PF +-5% 200VDC CER 0+-30	28480	0160-4765
A12A2C23	0160-4494	4		CAPACITOR-FXD 38PF +-5% 200VDC CER 0+-30	28480	0160-4494
A12A2C24	0160-4524	1		CAPACITOR-FXD 24PF +-5% 200VDC CER 0+-30	51642	200-200-NP0-240J
A12A2C25	0160-4765	2		CAPACITOR-FXD 36PF +-5% 200VDC CER 0+-30	28480	0160-4765
A12A2C26	0160-3588	1		CAPACITOR-FXD 2.7PF +-5% 200VDC CER	51642	100-100-NP0-279J
A12A2C27	0160-4768	5		CAPACITOR-FXD 470PF +-5% 100VDC CER	28480	0160-4768
A12A2C28	0160-3879	7		CAPACITOR-FXD .01UF +-20% 100VDC CER	28480	0160-3879
A12A2C29	0121-0449	9		CAPACITOR-V TRMR-CER 3.5-10PF 63V PC-MTG	28480	0121-0449
A12A2C30	0121-0061	1	4	CAPACITOR-V TRMR-CER 5.5-18PF 350V	52763	304322 5.5/18PF NP0
A12A2C31	0121-0046	2		CAPACITOR-V TRMR-CER 8-35PF 200V PC-MTG	52763	304322 8/35PF N650
A12A2C32	0121-0046	2		CAPACITOR-V TRMR-CER 9-35PF 200V PC-MTG	52763	304322 9/35PF N650
A12A2C33	0160-4779	8		CAPACITOR-FXD 10PF +-2% 200VDC CER 0+-30	28480	0160-4779
A12A2C34	0121-0061	1		CAPACITOR-V TRMR-CER 5.5-18PF 350V	52763	304322 5.5/18PF NP0
A12A2C35	0160-4524	1		CAPACITOR-FXD 24PF +-5% 200VDC CER 0+-30	51642	200-200-NP0-240J
A12A2C36	0160-4387	4		CAPACITOR-FXD 47PF +-5% 200VDC CER 0+-30	28480	0160-4387
A12A2C37	0160-4779	8		CAPACITOR-FXD 10PF +-2% 200VDC CER 0+-30	28480	0160-4779
A12A2C38	0160-4492	2		CAPACITOR-FXD 18PF +-5% 200VDC CER 0+-30	28480	0160-4492
A12A2C39	0160-4524	1		CAPACITOR-FXD 24PF +-5% 200VDC CER 0+-30	51642	200-200-NP0-240J
A12A2C40	0160-4388	3		CAPACITOR-FXD 33PF +-5% 200VDC CER 0+-30	28480	0160-4388
A12A2C41	0160-4387	4		CAPACITOR-FXD 47PF +-5% 200VDC CER 0+-30	28480	0160-4387
A12A2C42	0160-4492	2		CAPACITOR-FXD 18PF +-5% 200VDC CER 0+-30	28480	0160-4492
A12A2C43	0160-4388	3		CAPACITOR-FXD 33PF +-5% 200VDC CER 0+-30	28480	0160-4388
A12A2C44	0121-0449	9		CAPACITOR-V TRMR-CER 3.5-10PF 63V PC-MTG	28480	0121-0449
A12A2C45	0121-0061	1		CAPACITOR-V TRMR-CER 5.5-18PF 350V	52763	304322 5.5/18PF NP0
A12A2C46	0121-0046	2		CAPACITOR-V TRMR-CER 9-35PF 200V PC-MTG	52763	304322 9/35PF N650

† Refer to Section 7 for update information.

* Factory Selected Component (Refer to Section 5.)

old

Table 6-3. Replaceable Parts

Reference Designation	HP Part Number	C D	Qty.	Description	Mfr. Code	Mfr. Part Number
A12A2C47	0121-0061	1		CAPACITOR-V TRMR-CER 5.5-19PF 350V	52763	304322 5.5/19PF NPO
A12A2C48	0121-0046	2		CAPACITOR-V TRMR-CER 9-35PF 200V PC-MTG	52793	304322 9/35PF N650
A12A2C49	0160-4768	5		CAPACITOR-FXD 470PF +-5% 100VDC CER	26480	0160-4768
A12A2C50	0160-3569	1		CAPACITOR-FXD 2.7PF +-5% 200VDC CER	51642	100-100-NPO-279J
A12A2C52	0160-0690	4	1	CAPACITOR-FXD 1PF +-5PF 100VDC CER	26480	0160-0690
A12A2CR1	1901-1096	9		DIODE-PIN	26480	1901-1096
A12A2CR2	1901-1096	9		DIODE-PIN	26480	1901-1096
A12A2CR3	1901-1096	9		DIODE-PIN	26480	1901-1096
A12A2CR4	1901-1096	9		DIODE-PIN	26480	1901-1096
A12A2CR5	1901-1096	9		DIODE-PIN	26480	1901-1096
A12A2CR6	1901-1096	9		DIODE-PIN	26480	1901-1096
A12A2CR7	1901-1096	9		DIODE-PIN	26480	1901-1096
A12A2CR8	1901-1096	9		DIODE-PIN	26480	1901-1096
A12A2CR9	1901-1096	9		DIODE-PIN	26480	1901-1096
A12A2CR10	1901-1096	9		DIODE-PIN	26480	1901-1096
A12A2CR11	1901-1096	9		DIODE-PIN	26480	1901-1096
A12A2CR12	1901-1096	9		DIODE-PIN	26480	1901-1096
A12A2CR13	1901-1096	9		DIODE-PIN	26490	1901-1096
A12A2CR14	1901-1096	9		DIODE-PIN	26480	1901-1096
A12A2J1	1250-1220	0		CONNECTOR-RF SMC M PC 50-OHM	26480	1250-1220
A12A2J2	1250-1220	0		CONNECTOR-RF SMC M PC 50-OHM	26480	1250-1220
A12A2L1	9100-3922	4		INDUCTOR-FIXED 120-1300 HZ	26480	9100-3922
A12A2L2	9100-3922	4		INDUCTOR-FIXED 120-1300 HZ	26480	9100-3922
A12A2L3	9100-3922	4		INDUCTOR-FIXED 120-1300 HZ	26480	9100-3922
A12A2L4	9100-3922	4		INDUCTOR-FIXED 120-1300 HZ	26480	9100-3922
A12A2L5	9100-3922	4		INDUCTOR-FIXED 120-1300 HZ	26480	9100-3922
A12A2L6	9100-3922	4		INDUCTOR-FIXED 120-1300 HZ	26480	9100-3922
A12A2L7	9100-3922	4		INDUCTOR-FIXED 120-1300 HZ	26480	9100-3922
A12A2L8	9100-3922	4		INDUCTOR-FIXED 120-1300 HZ	26480	9100-3922
A12A2L9	9100-3922	4		INDUCTOR-FIXED 120-1300 HZ	26480	9100-3922
A12A2L10	9135-0080	2	4	INDUCTOR RF-CH-MLD 27NH 5% .102DX.26LG	26480	9135-0080
<i>2234A TO 2604A</i>						
A12A2L11*	9135-0071	1	1	INDUCTOR RF-CH-MLD 62NH 5% .102DX.26LG	26480	9135-0071
<i>2613A AND ABOVE</i>						
A12A2L11*	9135-0072	2	1	INDUCTOR RF-CH-MLD 56NH 5% .102DX.26LG	26480	9135-0072
A12A2L12	9100-3922	4		INDUCTOR-FIXED 120-1300 HZ	26480	9100-3922
A12A2L13	9100-3922	4		INDUCTOR-FIXED 120-1300 HZ	26480	9100-3922
A12A2L14	9100-3922	4		INDUCTOR-FIXED 120-1300 HZ	26480	9100-3922
A12A2L15	9100-1621	6	2	INDUCTOR RF-CH-MLD 18UH 10% .166DX.395LG	26480	9100-1621
A12A2L16	9100-1630	7		INDUCTOR RF-CH-MLD 51UH 5% .166DX.395LG	26480	9100-1630
A12A2L17	9100-2248	5	3	INDUCTOR RF-CH-MLD 120NH 10% .105DX.26LG	26480	9100-2248
A12A2L18	9100-3922	4		INDUCTOR-FIXED 120-1300 HZ	26480	9100-3922
A12A2L19	9100-2248	5		INDUCTOR RF-CH-MLD 120NH 10% .105DX.26LG	26480	9100-2248
A12A2L20	9100-3922	4		INDUCTOR-FIXED 120-1300 HZ	26480	9100-3922
A12A2L21	9100-3922	4		INDUCTOR-FIXED 120-1300 HZ	26480	9100-3922
A12A2L22	9135-0070	0		INDUCTOR RF-CH-MLD 24NH 7% .102DX.26LG	26480	9135-0070
A12A2L23	9135-0077	7		INDUCTOR RF-CH-MLD 36NH 6% .102DX.26LG	26480	9135-0077
A12A2L24	9135-0072	2		INDUCTOR RF-CH-MLD 56NH 5% .102DX.26LG	26480	9135-0072
A12A2L25	9135-0070	0		INDUCTOR RF-CH-MLD 24NH 7% .102DX.26LG	26480	9135-0070
A12A2L26	9135-0080	2		INDUCTOR RF-CH-MLD 27NH 5% .102DX.26LG	26480	9135-0080

† Refer to Section 7 for update information.

* Factory Selected Component (Refer to Section 5.)

old

Table 6-3. Replaceable Parts

Reference Designation	HP Part Number	C D	Qty.	Description	Mfr. Code	Mfr. Part Number
A12A2L27	9135-0076	6		INDUCTOR RF-CH-MLD 39NH 6% .102DX.26LG	28480	9135-0076
A12A2L29	9135-0075	5		INDUCTOR RF-CH-MLD 43NH 8% .102DX.26LG	28480	9135-0075
A12A2L29	9135-0072	2		INDUCTOR RF-CH-MLD 56NH 5% .102DX.26LG	28480	9135-0072
A12A2L30	9135-0070	0		INDUCTOR RF-CH-MLD 24NH 7% .102DX.26LG	28480	9135-0070
A12A2L31	9135-0080	2		INDUCTOR RF-CH-MLD 27NH 5% .102DX.26LG	28480	9135-0080
A12A2L32	9135-0077	7		INDUCTOR RF-CH-MLD 36NH 6% .102DX.26LG	28480	9135-0077
A12A2L33	9135-0075	5		INDUCTOR RF-CH-MLD 43NH 8% .102DX.26LG	28480	9135-0075
A12A2L34	9135-0072	2		INDUCTOR RF-CH-MLD 56NH 5% .102DX.26LG	28480	9135-0072
A12A2L35	9100-3922	4		INDUCTOR-FIXED 120-1300 HZ	28480	9100-3922
A12A2L36	9100-3922	4		INDUCTOR-FIXED 120-1300 HZ	28480	9100-3922
A12A2L37	9100-3922	4		INDUCTOR-FIXED 120-1300 HZ	28480	9100-3922
A12A2L38	9135-0080	2		INDUCTOR RF-CH-MLD 27NH 5% .102DX.26LG	28480	9135-0080
A12A2L39	9135-0075	5		INDUCTOR RF-CH-MLD 43NH 8% .102DX.26LG	28480	9135-0075
A12A2L40	9100-3922	4		INDUCTOR-FIXED 120-1300 HZ	28480	9100-3922
A12A2L41	9100-3922	4		INDUCTOR-FIXED 120-1300 HZ	28480	9100-3922
A12A2L42	9100-3922	4		INDUCTOR-FIXED 120-1300 HZ	28480	9100-3922
A12A2MP1	08663-00058	1	1	COVER, 2/3 UHF MOD.	28480	08663-00058
	2190-0124	4		WASHER-LK INTL T NO. 10 .195-IN-ID	28480	2190-0124
	2360-0113	2		SCREW-MACH 6-32 .25-IN-LG PAN-HD-POZI	00000	ORDER BY DESCRIPTION
	2950-0078	9		NUT-HEX-DBL-CHAM 10-32-THD .087-IN-THK	28480	2950-0078
A12A2MP2	5001-0176	0		GROUND STRAP	28480	5001-0176
A12A2MP3 †	08663-00085	4	1	COVER, (FRONT) UHF	28480	08663-00085
	08663-00103	7	1	INSULATING PAD	28480	08663-00103
	0360-0269	7	1	TERMINAL-SLDR LUG LK-MTG FOR-#8-SCR	28480	0360-0269
	2200-0103	2		SCREW-MACH 4-40 .25-IN-LG PAN-HD-POZI	28480	2200-0103
	2580-0002	4	1	NUT-HEX-DBL-CHAM 8-32-THD .085-IN-THK	28480	2580-0002
A12A2MP4	08663-00084	3	1	COVER, (REAR) UHF	28480	08663-00084
A12A2MP5	5001-0176	0		GROUND STRAP	28480	5001-0176
A12A2MP6	08662-00041	1		SHIELD-COMPONENT (LARGE)	28480	08662-00041
A12A2MP7	08662-00170	7		SHIELD-CIRCUIT	28480	08662-00170
A12A2Q1	1853-0405	9	1	TRANSISTOR PNP Si PD=300MW FT=850MHZ	04713	2N4209
A12A2Q2	1854-0809	9	1	TRANSISTOR NPN 2N2369A Si TO-18 PD=360MW	28480	1854-0809
A12A2Q3	1854-0720	3		TRANSISTOR NPN Si PD=500MW FT=4GHZ	28480	1854-0720
A12A2Q4	1853-0459	3		TRANSISTOR PNP Si PD=625MW FT=200MHZ	28480	1853-0459
A12A2R1	0698-0085	0		RESISTOR 2.61K 1% .125W F TC=0+-100	24546	C4-1/8-T0-2611-F
A12A2R2	0757-0417	8		RESISTOR 562 1% .125W F TC=0+-100	24546	C4-1/8-T0-562R-F
A12A2R3	0698-7198	8		RESISTOR 10 1% .05W F TC=0+-100	24546	C3-1/8-T0-10R-F
A12A2R4	0698-3437	2		RESISTOR 133 1% .125W F TC=0+-100	24546	C4-1/8-T0-133R-F
A12A2R5	0698-4590	0	2	RESISTOR 422 1% .25W F TC=0+-100	24546	C5-1/4-T0-422R-F
A12A2R6	0757-0346	2		RESISTOR 10 1% .125W F TC=0+-100	24546	C4-1/8-T0-10R0-F
221A TO 2615A A12A2R7	0698-7205	0		RESISTOR 51.1 1% .05W F TC=0+-100	24546	C3-1/8-T0-51R1-F
2628A AND ABOVE A12A2R7	0699-1903	0		RESISTOR 51.1 1% .05W F TC=0+-100	24546	C3-1/8-T0-51R1-F
A12A2R8	1810-0205	7	1	NETWORK-RES 8-SIP4.7K OHM X 7	01121	208A472
A12A2R9*	0698-7218	5	7	RESISTOR 178 1% .05W F TC=0+-100	24546	C3-1/8-T0-178R-F
A12A2R10	0698-7246	9		RESISTOR 2.61K 1% .05W F TC=0+-100	24546	C3-1/8-T0-2611-F
A12A2R11	0698-7219	6		RESISTOR 198 1% .05W F TC=0+-100	24546	C3-1/8-T0-198R-F
A12A2R12	0698-3401	0	1	RESISTOR 215 1% .5W F TC=0+-100	28480	0698-3401

† Refer to Section 7 for update information.

* Factory Selected Component (Refer to Section 5.)

Table 6-3. Replaceable Parts

old

Reference Designation	HP Part Number	C D	Qty.	Description	Mfr. Code	Mfr. Part Number
A12A2R13*	0699-0129	5	6	RESISTOR 17.6 5% .1W C TC=0+-200	29480	0699-0129
A12A2R14	0757-1090	5		RESISTOR 261 1% .5W F TC=0+-100	29480	0757-1090
A12A2R15	0699-7233	4	2	RESISTOR 750 1% .05W F TC=0+-100	24546	C3-1/8-T0-750R-F
A12A2R16	0757-0279	0		RESISTOR 3.16K 1% .125W F TC=0+-100	24546	C4-1/8-T0-3161-F
A12A2R17	0699-7240	3		RESISTOR 1.47K 1% .05W F TC=0+-100	24546	C3-1/8-T0-1471-F
A12A2R18	0699-7237	8		RESISTOR 1.1K 1% .05W F TC=0+-100	24546	C3-1/8-T0-1101-F
A12A2R19	0699-7236	7		RESISTOR 1K 1% .05W F TC=0+-100	24546	C3-1/8-T0-1001-F
A12A2R20	0699-7219	8		RESISTOR 196 1% .05W F TC=0+-100	24546	C3-1/8-T0-196R-F
A12A2R21	0757-0799	8	1	RESISTOR 110 1% .5W F TC=0+-100	29480	0757-0799
A12A2R22	0699-7223	2		RESISTOR 297 1% .05W F TC=0+-100	24546	C3-1/8-T0-297R-F
A12A2R23	0699-7220	9		RESISTOR 215 1% .05W F TC=0+-100	24546	C3-1/8-T0-215R-F
A12A2R24	0699-7220	9		RESISTOR 215 1% .05W F TC=0+-100	24546	C3-1/8-T0-215R-F
A12A2R25	0699-7220	9		RESISTOR 215 1% .05W F TC=0+-100	24546	C3-1/8-T0-215R-F
A12A2R26	0699-7220	9		RESISTOR 215 1% .05W F TC=0+-100	24546	C3-1/8-T0-215R-F
A12A2R27	0699-7220	9		RESISTOR 215 1% .05W F TC=0+-100	24546	C3-1/8-T0-215R-F
A12A2R28	0699-7223	2		RESISTOR 287 1% .05W F TC=0+-100	24546	C3-1/8-T0-287R-F
A12A2R29*	0699-0181	9	2	RESISTOR 178 5% .1W C TC=0+-200	28480	0699-0181
A12A2R30*	0699-0178	4	2	RESISTOR 30.4 5% .1W C TC=0+-200	29480	0699-0178
A12A2R31*	0699-0178	4		RESISTOR 30.4 5% .1W C TC=0+-200	29480	0699-0178
A12A2R32*	0699-0181	9		RESISTOR 178 5% .1W C TC=0+-200	28480	0699-0181
A12A2R33	0699-7271	0		RESISTOR 28.7K 1% .05W F TC=0+-100	24546	C3-1/8-T0-2872-F
A12A2TP1	1251-0600	0		CONNECTOR-SGL CONT PIN 1.14-MM-BSC-SZ SQ	28480	1251-0600
A12A2TP2	1251-0600	0		CONNECTOR-SGL CONT PIN 1.14-MM-BSC-SZ SQ	28480	1251-0600
A12A2TP3	1251-0600	0		CONNECTOR-SGL CONT PIN 1.14-MM-BSC-SZ SQ	28480	1251-0600
A12A2TP4	1251-0600	0		CONNECTOR-SGL CONT PIN 1.14-MM-BSC-SZ SQ	28480	1251-0600
A12A2TP5	1251-2194	1		CONNECTOR-SGL CONT SKT .021-IN-BSC-SZ SQ	28480	1251-2194
A12A2U1	1826-0372	2		IC MISC 8-DIP-P PKG	28480	1826-0372
A12A2U2	1820-0681	4		IC GATE TTL S NAND QUAD 2-INP	01295	SN74500N
A12A2U3	08662-87002	4	2	UHF POWER AMPLIFIER	28480	08662-87002
	0340-0834	0	2	INSULATOR-XSTR POLYI	28480	0340-0834
	1205-0206	5	1	HEAT SINK SGL TO-S/TO-39-CS	28480	1205-0206
A12A2U4	1820-1216	3	1	IC DQDR TTL LS 3-TO-8-LINE 3-INP	01295	SN74LS139N
A12A2U5	1820-0668	7		IC BFR TTL NON-INV HEX 1-INP	01295	SN7407N
A12A2U6	1820-1144	6		IC GATE TTL LS NOR QUAD 2-INP	01295	SN74LS02N
A12A2W1	8159-0005	0	1	RESISTOR-ZERO OHMS 22 AWG LEAD DIA	28480	8159-0005

† Refer to Section 7 for update information.

* Factory Selected Component (Refer to Section 5.)

Table 6-3. Replaceable Parts

Reference Designation	HP Part Number	C D	Qty.	Description	Mfr. Code	Mfr. Part Number
A12A4R41	0757-0458	7		RESISTOR 51.1K 1% .125W F TC=0+-100	24548	C4-1/8-T0-5112-F
A12A4R42	0757-0401	0		RESISTOR 100 1% .125W F TC=0+-100	24548	C4-1/8-T0-101-F
2294A to 2820A A12A4R43	0757-0290	5		RESISTOR 6.18K 1% .125W F TC=0+-100	19701	MF4C1/8-T0-6181-F
2824A and above A12A4R43	0898-3154	0		RESISTOR 4.22k 1% .125W F TC=0+-100	24548	C4-1/8-T0/4221-F
A12A4R44	0757-0401	0		RESISTOR 100 1% .125W F TC=0+-100	24548	C4-1/8-T0-101-F
A12A4R45	0757-0417	8		RESISTOR 562 1% .125W F TC=0+-100	24548	C4-1/8-T0-562R-F
A12A4R46	0757-0817	2		RESISTOR 750 1% .5W F TC=0+-100	28480	0757-0817
A12A4R47	0898-0084	9		RESISTOR 2.15K 1% .125W F TC=0+-100	24548	C4-1/8-T0-2151-F
A12A4R48	0757-0280	3		RESISTOR 1K 1% .125W F TC=0+-100	24548	C4-1/8-T0-1001-F
A12A4R49	0898-3151	7		RESISTOR 2.87K 1% .125W F TC=0+-100	24548	C4-1/8-T0-2871-F
A12A4R50	0898-0084	9		RESISTOR 2.15K 1% .125W F TC=0+-100	24548	C4-1/8-T0-2151-F
A12A4R51	0757-0799	9	1	RESISTOR 121 1% .5W F TC=0+-100	28480	0757-0799
A12A4R53	0757-0487	8		RESISTOR 121K 1% .125W F TC=0+-100	24548	C4-1/8-T0-1213-F
A12A4R54	0757-0441	8		RESISTOR 8.25K 1% .125W F TC=0+-100	24548	C4-1/8-T0-8251-F
A12A4R56	2100-3109	2		RESISTOR-TRMR 2K 10% C SIDE-ADJ 17-TRN	02111	43P202
A12A4R57	0757-0279	0		RESISTOR 3.16K 1% .125W F TC=0+-100	24548	C4-1/8-T0-3161-F
A12A4R58	2100-3103	6	1	RESISTOR-TRMR 10K 10% C SIDE-ADJ 17-TRN	02111	43P103
A12A4R59	0757-0466	7		RESISTOR 110K 1% .125W F TC=0+-100	24548	C4-1/8-T0-1103-F
A12A4R60	0898-3454	3		RESISTOR 215K 1% .125W F TC=0+-100	24548	C4-1/8-T0-2153-F
A12A4R61	0898-0084	9		RESISTOR 2.15K 1% .125W F TC=0+-100	24548	C4-1/8-T0-2151-F
A12A4R62	0757-0440	7		RESISTOR 7.5K 1% .125W F TC=0+-100	24548	C4-1/8-T0-7501-F
A12A4TP1	1251-0800	0		CONNECTOR-SGL CONT PIN 1.14-MM-BSC-SZ SQ	28480	1251-0800
A12A4TP2	1251-0800	0		CONNECTOR-SGL CONT PIN 1.14-MM-BSC-SZ SQ	28480	1251-0800
A12A4TP3	1251-0800	0		CONNECTOR-SGL CONT PIN 1.14-MM-BSC-SZ SQ	28480	1251-0800
A12A4TP4	1251-0800	0		CONNECTOR-SGL CONT PIN 1.14-MM-BSC-SZ SQ	28480	1251-0800
A12A4TP5	1251-0800	0		CONNECTOR-SGL CONT PIN 1.14-MM-BSC-SZ SQ	28480	1251-0800
A12A4TP6	1251-0800	0		CONNECTOR-SGL CONT PIN 1.14-MM-BSC-SZ SQ	28480	1251-0800
A12A4TP7	1251-0800	0		CONNECTOR-SGL CONT PIN 1.14-MM-BSC-SZ SQ	28480	1251-0800
A12A4TP8	1251-0800	0		CONNECTOR-SGL CONT PIN 1.14-MM-BSC-SZ SQ	28480	1251-0800
A12A4TP9	1251-0800	0		CONNECTOR-SGL CONT PIN 1.14-MM-BSC-SZ SQ	28480	1251-0800
A12A4TP10	1251-0800	0		CONNECTOR-SGL CONT PIN 1.14-MM-BSC-SZ SQ	28480	1251-0800
A12A4U1	1828-0547	3		IC OP AMP LOW-BIAS-H-IMPED DUAL 8-DIP-P	01295	TL072ACP
A12A4U2	08682-67009	1	1	X2 FILTER	28480	08682-67009
A12A4U3	08682-67010	4	1	NOT RECOMMENDED FOR FIELD REPLACEMENT FILTER MOD NOT RECOMMENDED FOR FIELD REPLACEMENT	28480	08682-67010
A12A4U4	1818-1008	2	1	IC TTL S 4096 (4K) PROM 75-NS 3-S	01295	TBP28S42J
A12A4U5	1200-0626	3	1	SOCKET-IC 20-CONT DIP DIP-SLDR	28480	1200-0626
A12A4U5	1828-0921	7		D/A 10-BIT 16-CBRZ/SDR CMOS	28480	1828-0921
A12A4VR1	1902-3193	3		DIODE-ZNR 13.3V 5% DO-35 PD=.4W	28480	1902-3193
A12A4VR2	1902-3193	3		DIODE-ZNR 13.3V 5% DO-35 PD=.4W	28480	1902-3193
A12A4VR3	1902-3082	9		DIODE-ZNR 4.64V 5% DO-35 PD=.4W	28480	1902-3082
A12A4W1	08682-60048	4	1	CABLE ASSEMBLY #98	28480	08682-60048

†Refer to Section 7 for update information.

*Factory Selected Component (Refer to Section 5).

Table 6-3. Replaceable Parts

Reference Designation	HP Part Number	C D	Qty.	Description	Mfr. Code	Mfr. Part Number
CHASSIS PARTS/MISCELLANEOUS PARTS						
AT1	08663-60104	4	1	ATTENUATOR SET-FRONT OUTPUT (STD ONLY)	28480	08663-60104
AT1	08663-60105	5	1	ATTENUATOR SET-REAR OUTPUT (OPT 001/002)	28480	08663-60105
2234A TO 2406A						
AT2						
NOT ASSIGNED						
2406A AND ABOVE						
AT2	1250-0207	1	1	TERMINATION-COAXIAL SERIES BNC; 50 OHMS (STD)	28480	1250-0207
AT2	1250-0839	5	1	TERMINATION-COAXIAL SMC FEMALE; 50 OHMS (OPT 001/002)	28480	1250-0839
2234A to 2700A						
B1 †						
FAN						
2704A and above						
B1	08662-80065	7	1	BALANCED FAN	28480	08662-80065
F1	2110-0010	9	1	FUSE 5A 250V NTD 1.25X.25 UL (LINE FUSE FOR 115V OPERATION)	75915	312005
F1	2110-0083	8	1	FUSE 2.5A 250V NTD 1.25X.25 UL (LINE FUSE FOR 230V OPERATION)	28480	2110-0083
F2	2110-0063	2	1	FUSE .75A 250V NTD 1.25X.25 UL (OVEN FUSE FOR 115V OPERATION)	28480	2110-0063
F2	2110-0012	1	1	FUSE .5A 250V NTD 1.25X.25 UL (OVEN FUSE FOR 230V OPERATION)	28480	2110-0012
FL1	08662-80011	1	1	520 MHZ BAND PASS FILTER	28480	08662-80011
FL2	9135-0195	0	1	FILTER-LINE WIRE LEAD-TERMS	28480	9135-0195
J1						
	1250-1091	3	3	NSR P/O W1 "AM IN" (STD. & OPT 002)	28480	1250-1091
	2190-0068	5	4	CONNECTOR-RF BNC FEM SGL-HOLE-RR 50-OHM	28480	2190-0068
	0590-1011	6	3	WASHER-LK INTL T 1/2 IN .505-IN-ID NUT-KNRLD-R 15/32-32-THD .12-IN-THK	28480	0590-1011
J2						
	1250-1091	3		NSR P/O W2 "FM IN" (STD; OPT 002)	28480	1250-1091
	2190-0068	5		CONNECTOR-RF BNC FEM SGL-HOLE-RR 50-OHM	28480	2190-0068
	0590-1011	6		WASHER-LK INTL T 1/2 IN .505-IN-ID NUT-KNRLD-R 15/32-32-THD .12-IN-THK	28480	0590-1011
J3						
	1250-1091	3		NSR P/O W3 "PHASE MOD INPT" (OPT 002)	28480	1250-1091
	2190-0068	5		CONNECTOR-RF BNC FEM SGL-HOLE-RR 50-OHM	28480	2190-0068
	0590-1011	6		WASHER-LK INTL T 1/2 IN .505-IN-ID NUT-KNRLD-R 15/32-32-THD .12-IN-THK	28480	0590-1011
J4						
	08662-80304	5	1	OUTPUT CONNECTOR ASSEMBLY	28480	08662-80304
	1250-0915	8	1	CONTACT-RF CONN SER APC-N FEMALE	90949	131-149
	2190-0104	0	1	WASHER-LK INTL T 7/16 IN .439-IN-ID	28480	2190-0104
	2950-0182	6	1	NUT-HEX-DBL-CHAM 7/16-28-THD .094-IN-THK	00000	ORDER BY DESCRIPTION
	2380-0116	5	2	SCREW-MACH 6-32 .312-IN-LG 82 DEG	00000	ORDER BY DESCRIPTION
	5021-0863	4	1	BODY-RF CONNECTOR	28480	5021-0863
	5040-0306	0	1	INSULATOR	28480	5040-0306
	08555-20093	5	1	CONTACT JACK	28480	08555-20093
	08555-20094	6	1	BODY BULKHEAD	28480	08555-20094
	08731-210	2	1	NUT LOCK	28480	08731-210
	08761-2027	4	1	INSULATOR	28480	08761-2027
J6						
NSR P/O W55 "PULSE BPSK"						
J7						
NSR P/O W3 "PHASE MOD IN" (OPT. 001/002)						
J8						
NSR P/O W86 "Z AXIS BLKG MKR"						
J10						
NSR P/O W1 "AM IN" (OPT. 001)						
J12						
NSR P/O W51 "AUX FM IN"						

†Refer to Section 7 for update information.

*Factory Selected Component (Refer to Section 5).

Table 5. Replaceable Parts *old*

Reference Designation	HP Part Number	C D	Qty.	Description	Mfr. Code	Mfr. Part Number
J13				NSR P/O W2 "FM IN" (OPT. 001)		
J14	SAME AS J4	7	1	(OPTION 001 ONLY)	28480	SAME AS J4
J15				NSR P/O W93 "640 MHZ"		
2234A TO 2405A						
J16			1	NOT ASSIGNED		
2408A AND ABOVE						
J16	1250-0083	1	1	CONNECTOR-RF BNC FEM SGL-HOLE-FR 50-OHM (STD)	28480	1250-0083
J16	1250-0829	3	1	CONNECTOR-RF SMC M SGL-HOLE-FR 50-OHM (OPT 001)	28480	1250-0829
MP1	08662-00176	3	1	RIGHT PANEL SUPPORT	28480	08662-00176
MP2	08662-00063	7	1	LEFT PANEL SUPPORT	28480	08662-00063
MP3	3050-0226	2	1	WASHER-FL MTLG NO. 10 .203-IN-ID	28480	3050-0226
MP4	0510-0045	6	1	RETAINER-RING E-R EXT .188-IN-DIA STL	28480	0510-0045
MP5	08662-20024	2	1	SUPPORT PANEL TOP	28480	08662-20024
2234A TO 2651A						
MP6	08663-00021	8	1	SUB-PANEL	28480	08663-00021
2700A AND ABOVE						
MP6	08663-00120	8	1	SUB-PANEL	28480	08663-00120
MP7	08663-20301	9	1	SUB-PANEL BOTTOM	28480	08663-20301
MP8	2200-0165	6	1	SCREW-MACH 4-40 .25-IN-LG 82 DEG	00000	ORDER BY DESCRIPTION
MP9	08663-00089	8	1	SWEEP PANEL	28480	08663-00089
MP9B	0510-1148	2	2	RETAINER-PUSH ON KB-TO-SHFT EXT	28480	0510-1148
MP10	5040-8928	4	1	STRIP-DIVIDER	28480	5040-8928
MP11	08663-20008	3	1	FRONT CASTING	28480	08663-20008
MP12	2200-0103	2	1	SCREW-MACH 4-40 .25-IN-LG PAN-HD-POZI	28480	2200-0103
MP13	08663-00002	5	1	RIGHT CONNECTOR PANEL (OPT. 001)	28480	08663-00002
MP14	08663-00080	9	1	RIGHT CONNECTOR PANEL (STD. ONLY)	28480	08663-00080
	0510-1148	2	2	RETAINER-PUSH ON KB-TO-SHFT EXT	28480	0510-1148
MP15	08663-00020	7	1	RIGHT CONNECTOR PANEL (OPT. 002)	28480	08663-00020
MP15	1400-0053	4	1	CLAMP-CABLE .172-DIA .375-WD NYL	28480	1400-0053
	2190-0003	8	2	WASHER-LK HLCL NO. 4 .116-IN-ID	28480	2190-0003
	2200-0145	2	1	SCREW-MACH 4-40 .438-IN-LG PAN-HD-POZI	00000	ORDER BY DESCRIPTION
	3050-0105	6	2	WASHER-FL MTLG NO. 4 .125-IN-ID	28480	3050-0105
MP16	08663-00022	9	1	MAIN PANEL	28480	08663-00022
MP16	2950-0001	8	1	NUT-HEX-DBL-CHAM 3/8-32-THD .094-IN-THK	00000	ORDER BY DESCRIPTION
MP17	2190-0016	3	1	WASHER-LK INTL T 3/8 IN .377-IN-ID	28480	2190-0016
MP18	0370-2369	7	1	KNOB-BASE 1-1/2 JGK .25-IN-ID	28480	0370-2369
MP18	08662-20300	7	1	RIGHT PIN HINGE	28480	08662-20300
	0510-0045	6	3	RETAINER-RING E-R EXT .188-IN-DIA STL	28480	0510-0045
MP20	08662-20016	2	1	LEFT PIN HINGE	28480	08662-20016
	0510-0045	6	1	RETAINER-RING E-R EXT .188-IN-DIA STL	28480	0510-0045
MP21	1400-0014	7	1	CABLE CLAMP-HFCL .5-DIA .375-WD STL	28480	1400-0014
	2360-0113	2	6	SCREW-MACH 6-32 .25-IN-LG PAN-HD-POZI	00000	ORDER BY DESCRIPTION
MP22	5021-5805	4	1	FRONT FRAME-METRIC CAB.	28480	5020-8825
	5020-8805	8	1	FRONT FRAME-ENGLISH CAB.	28480	5020-8805
2234A to 2619A						
MP23 †				REAR PANEL		
2620A AND 2704A AND ABOVE						
MP23	08663-20059	4	1	REAR PANEL	28480	08663-20059
MP24	5020-8838	7	1	CORNER STRUTS - ENGLISH CABINET	28480	5020-8838
MP24	5021-5838	3	1	CORNER STRUTS - METRIC CABINET	28480	5021-5838
MP25	2510-0192	6	1	SCREW-MACH 8-32 .25-IN-LG 100 DEG ENGLISH CABINET	00000	ORDER BY DESCRIPTION
MP25	0515-1331	5	1	SCREW-METRIC SPECIALTY M4 X 0.7 THD; 6 METRIC CABINET	28480	0515-1331
MP26	08663-00035	4	1	ATTENUATOR BRACKETS	28480	08663-00035
	2200-0103	2	2	SCREW-MACH 4-40 .25-IN-LG PAN-HD-POZI	28480	2200-0103

†Refer to Table 7 for update information.

Table 6-3. Replaceable Parts

Reference Designation	HP Part Number	C D	Qty.	Description	Mfr. Code	Mfr. Part Number
MP27	08662-00053	5	1	REAR GUSSET	28480	08662-00053
MP28	2360-0113	2		SCREW-MACH 6-32 .25-IN-LG PAN-HD-POZI	00000	ORDER BY DESCRIPTION
MP29	08662-00133	2	1	GUSSET SUPPORT #2	28480	08662-00133
MP30	2360-0117	8	1	SCREW-MACH 6-32 .375-IN-LG PAN-HD-POZI	00000	ORDER BY DESCRIPTION
MP31	08663-00017	2	1	GUSSET SUPPORT #3	28480	08663-00017
MP32	08663-00016	1	1	GUSSET #2	28480	08663-00016
MP33	08663-00001	4	1	CENTER GUSSET SUPPORT	28480	08663-00001
MP34	08663-00015	0	1	FRONT GUSSET #1	28480	08663-00015
MP35	2420-0001	5		NUT-HEX-W/LKWR 6-32-THD .109-IN-THK	00000	ORDER BY DESCRIPTION
MP36				NOT ASSIGNED		
MP37				NOT ASSIGNED		
MP38	2360-0115	4	2	SCREW-MACH 6-32 .312-IN-LG PAN-HD-POZI	00000	ORDER BY DESCRIPTION
MP39	3050-0227	3		WASHER-FL MTLG NO. 6 .149-IN-ID	28480	3050-0227
MP40	2360-0118	7	1	SCREW-MACH 6-32 .375-IN-LG 82 DEG	00000	ORDER BY DESCRIPTION
MP41	3050-0103	4	1	WASHER-FL MTLG NO. 12 .25-IN-ID	28480	3050-0103
MP42	08663-00027	4	1	WIRE DUCT	28480	08663-00027
	2360-0193	8	1	SCREW-MACH 6-32 .25-IN-LG PAN-HD-POZI	28480	2360-0193
	2190-0018	5	2	WASHER-LK HLCL NO. 6 .141-IN-ID	28480	2190-0018
	2360-0195	0	2	SCREW-MACH 6-32 .312-IN-LG PAN-HD-POZI	28480	2360-0195
	3050-0227	3	4	WASHER-FL MTLG NO. 8 .149-IN-ID	28480	3050-0227
MP43	08662-00036	4	1	SUPPORT BRACKET	28480	08662-00036
	2360-0242	8	1	SCREW-MACH 6-32 1.25-IN-LG PAN-HD-POZI	00000	ORDER BY DESCRIPTION
MP44	08662-00023	9	1	OSCILLATOR SUPPORT	28480	08662-00023
	2200-0105	4	1	SCREW-MACH 4-40 .312-IN-LG PAN-HD-POZI	00000	ORDER BY DESCRIPTION
MP45	1400-0510	8	1	CLAMP-CABLE .15-DIA .82-WD NYL	28480	1400-0510
MP46	1400-0017	0	1	CLAMP-CABLE .312-DIA .375-WD NYL	28480	1400-0017
	2190-0018	5		WASHER-LK HLCL NO. 6 .141-IN-ID	28480	2190-0018
	2360-0195	0		SCREW-MACH 6-32 .312-IN-LG PAN-HD-POZI	28480	2360-0195
	3050-0227	3		WASHER-FL MTLG NO. 6 .149-IN-ID	28480	3050-0227
MP47	08662-00020	6	1	CABLE SHIELD	28480	08662-00020
	2360-0123	4	1	SCREW-MACH 6-32 .625-IN-LG PAN-HD-POZI	00000	ORDER BY DESCRIPTION
MP48	8160-0226	0	1	RFI ROUND STRIP MNL-MSH .05-IN-OD	28480	8160-0226
MP49	1400-0015	8	1	CLAMP-CABLE .25-DIA .375-WD STL	28480	1400-0015
	2360-0113	2		SCREW-MACH 6-32 .25-IN-LG PAN-HD-POZI	00000	ORDER BY DESCRIPTION
MP50	6960-0003	5	1	PLUG-HOLE DOME-HD FOR .75-D-HOLE STL	28480	6960-0003
MP51	08662-00011	5	1	TRANSFORMER COVER	28480	08662-00011
	0361-0295	1	1	RIVET-BLIND PL-STEM DOME-HD .125DIA	28480	0361-0295
	2200-0104	3	1	SCREW-MACH 4-40 .25-IN-LG 82 DEG	00000	ORDER BY DESCRIPTION
	2360-0113	2		SCREW-MACH 6-32 .25-IN-LG PAN-HD-POZI	00000	ORDER BY DESCRIPTION
MP52	08662-00161	6	1	CABLE CLAMP	28480	08662-00161
	2420-0001	5	3	NUT-HEX-W/LKWR 6-32-THD .109-IN-THK	00000	ORDER BY DESCRIPTION
MP53	1400-1151	5	1	CLAMP-CABLE .625-WD NYL	28480	1400-1151
	2360-0116	5		SCREW-MACH 6-32 .312-IN-LG 82 DEG	00000	ORDER BY DESCRIPTION
MP54	08663-00036	5	1	LED SCREEN	28480	08663-00036
MP55	2200-0759	4	1	SCREW-MACH 4-40 .156-IN-LG 82 DEG	28480	2200-0759
MP56	08663-20001	6	1	FRONT WINDOW	28480	08663-20001
MP57	08663-00032	1	1	DUCT COVER	28480	08663-00032
MP58	08662-00042	2	1	TOP POWER SUPPLY COVER	28480	08662-00042
	2360-0333	8	2	SCREW-MACH 6-32 .25-IN-LG 100 DEG	28480	2360-0333
	08662-00021	7	1	FOAM BUMPER	28480	08662-00021

†Refer to Section 7 for update information.

*Factory Selected Component (Refer to Section 5).

Table 6-3. Replaceable Parts

old

Reference Designation	HP Part Number	C D	Qty.	Description	Mfr. Code	Mfr. Part Number
MP69	08662-00155	8	1	OSCILLATOR GASKET	28480	08662-00155
MP60	08662-20019	5	1	CASTING COVER	28480	08662-20019
	2190-0003	8		WASHER-LK HLCL NO. 4 .115-IN-ID	28480	2190-0003
	2200-0209	9	1	SCREW-MACH 4-40 .375-IN-LG STL	28480	2200-0209
MP61	08662-00017	1	1	BOTTOM POWER SUPPLY COVER	28480	08662-00017
	2360-0333	8		SCREW-MACH 6-32 .25-IN-LG 100 DEG	28480	2360-0333
MP62	5060-9943	1	1	SIDE COVERS	28480	5060-9943
MP63	5001-0440	1	1	TRIM STRIPS	28480	5001-0440
MP64	5040-7202	9	1	TOP TRIM STRIPS	28480	5040-7202
MP65	5060-9849	8	1	BOTTOM COVER - ENGLISH CABINET	28480	5060-9849
MP65	5061-9448	3	1	BOTTOM COVER - METRIC CABINET	28480	5061-9448
MP66	5061-2034	9	1	INFORMATION TRAY	28480	5061-2034
MP67	08663-90057	9	1	PULL OUT CARD	28480	08663-90057
MP68	5040-7201	8	1	FOOT	28480	5040-7201
	1480-1345	5	1	TILT STAND SST	28480	1480-1345
MP69	5060-9836	1	1	TOP COVER - ENGLISH CABINET	28480	5060-9836
MP69	5061-9436	9	1	TOP COVER - METRIC CABINET	28480	5061-9436
MP70	7120-5911	5	1	LABEL-WARNING - ENGLISH CABINET	28480	7120-5911
MP70	7120-8607	2	1	LABEL "THIS INSTRUMENT USES METRIC AND METRIC CABINET"	28480	7120-8607
MP71	08663-00034	3	1	RIGHT DCU COVER	28480	08663-00034
	0590-1192	4	2	NUT-THUMB 4-40-THD .281-IN-THK .5-OD	28480	0590-1192
	08663-00169	5	2	FOAM CUSHION	28480	08663-00169
MP72	08663-00033	2	1	LEFT DCU COVER	28480	08663-00033
	0590-1192	4		NUT-THUMB 4-40-THD .281-IN-THK .5-OD	28480	0590-1192
	08663-00169	5		FOAM CUSHION	28480	08663-00169
MP73	5040-7221	2	1	STANDOFFS	28480	5040-7221
	2360-0197	2	1	SCREW-MACH 6-32 .375-IN-LG PAN-HD-POZI FOR ENGLISH CABINETS	28480	2360-0197
	0515-1232	5	1	SCREW-MACH M3.5 X 0.6 8MM-LG PAN-HD FOR METRIC CABINETS	28480	0515-1232
MP74	5060-9805	4	1	SIDE HANDLE STRAP	28480	5060-9805
MP75	5040-7219	8	1	HANDLE CAP, FRONT - ENGLISH CABINETS	28480	5040-7219
	2660-0118	5	2	SCREW-MACH 10-32 .5-IN-LG 82 DEG	00000	ORDER BY DESCRIPTION
MP75	5041-6819	4	1	HANDLE CAP, FRONT - METRIC CABINETS	28480	5041-6819
	0515-1132	4	2	SCREW-MACH M5 X 0.8 10MM-LG	28480	0515-1132
MP76	5060-7220	3	1	HANDLE CAP, REAR - ENGLISH CABINETS	28480	5060-7220
	2680-0118	5		SCREW-MACH 10-32 .5-IN-LG 82 DEG	00000	ORDER BY DESCRIPTION
MP76	5041-6820	7	1	HANDLE CAP, REAR - METRIC CABINETS	28480	5041-6820
	0515-1132	4		SCREW-MACH M5 X 0.8 10MM-LG	28480	0515-1132
MP77	08662-00058	0	1	FUSEPLATE	28480	08662-00058
MP78	2110-0564	8	1	FUSEHOLDER BODY 12A MAX FOR UL	H9027	031.1657
	1400-0090	9	1	FUSEHOLDER COMPONENT FOR USE ON	28480	1400-0090
	2190-0068	5		WASHER-LK INTL T 1/2 IN .505-IN-ID	28480	2190-0068
	2110-0569	3	1	FUSEHOLDER COMPONENT NUT; THREAD M12.7	28480	2110-0569
MP79	2110-0565	9	1	FUSEHOLDER CAP 12A MAX FOR UL	28480	2110-0565
MP80	08662-20060	6	1	LINE FILTER SUPPORT	28480	08662-20060
MP81	0360-0053	7	1	TERMINAL-SLDR LUG LK-MTG FOR-#10-SCR	28480	0360-0053
	2510-0043	6	1	SCREW-MACH 8-32 .312-IN-LG PAN-HD-POZI	00000	ORDER BY DESCRIPTION
MP82	08662-00134	3	1	REAR SUPPORT GUSSET	28480	08662-00134
	2360-0182	5	1	SCREW-MACH 6-32 .312-IN-LG 82 DEG	00000	ORDER BY DESCRIPTION
MP83	0590-0184	2	1	THREADED INSERT-NUT 4-40 .058-IN-LG SST	28480	0590-0184

†Refer to Section 7 for update information.

*Factory Selected Component (Refer to Section 5).

Table 6-3. Replaceable Parts

Reference Designation	HP Part Number	C D	Qty.	Description	Mfr. Code	Mfr. Part Number
MP84	1250-0043	3	1	GASKET-RF CONNECTOR .125 IN ID; FOR	28480	1250-0043
MP85	3050-0105	6		WASHER-FL MTLIC NO. 4 .125-IN-ID	28480	3050-0105
MP86	0580-0076	1	1	NUT-HEX-PLSTC LKG 4-40-THD .143-IN-THK	28480	0580-0076
MP87	0360-0042	4	1	TERMINAL-SLDR LUG PL-MYG FOR-#8-SCR	28480	0360-0042
	2360-0113	2		SCREW-MACH 6-32 .25-IN-LG PAN-HD-POZI	00000	ORDER BY DESCRIPTION
MP88	08662-00159	2	1	INSULATOR	28480	08662-00159
	2420-0001	5		NUT-HEX-W/LKWR 6-32-THD .109-IN-THK	00000	ORDER BY DESCRIPTION
MP89	2360-0113	2		SCREW-MACH 6-32 .25-IN-LG PAN-HD-POZI	00000	ORDER BY DESCRIPTION
MP90	08662-00013	7	1	MOLEX SUPPORT	28480	08662-00013
MP91	0400-0018	0	1	GROMMET-CHAN NCH .052-IN-THK-PNL	28480	0400-0018
MP92	2360-0318	9		SCREW-MACH 6-32 1.875-IN-LG PAN-HD-POZI	00000	ORDER BY DESCRIPTION
MP93	2190-0006	1		WASHER-LK HLCL NO. 6 .141-IN-ID	28480	2190-0006
MP94	3050-0227	3		WASHER-FL MTLIC NO. 6 .149-IN-ID	28480	3050-0227
MP95	08662-00014	8	1	AC COVER	28480	08662-00014
MP96	2200-0101	0	1	SCREW-MACH 4-40 .188-IN-LG PAN-HD-POZI	00000	ORDER BY DESCRIPTION
MP97	2360-0115	4		SCREW-MACH 6-32 .312-IN-LG PAN-HD-POZI	00000	ORDER BY DESCRIPTION
MP98	08662-20040	2	1	POWER SUPPLY SCREW	28480	08662-20040
2234A TO 2405A						
MP99	08663-60013	4	1	CONNECTOR PANEL REAR (STD. ONLY)	28480	08663-60013
MP99	08663-60041	8	1	CONNECTOR PANEL REAR (OPT. 001)	28480	08663-60041
2408A AND ABOVE						
MP99	08663-60358	0	1	CONNECTOR PANEL, REAR (STD ONLY)	28480	08663-60358
MP99	08663-60357	9	1	CONNECTOR PANEL, REAR (OPT 001 ONLY)	28480	08663-60357
MP100	2200-0556	9	1	SCREW-MACH 4-40 1.7-IN-LG 82 DEG	00000	ORDER BY DESCRIPTION
MP101	08662-60003	1	1	REFERENCE CASTING	28480	08662-60003
MP102	08662-00028	4	1	AIR DEFLECTOR	28480	08662-00028
2294A TO 2619A						
MP103 †				FAN COVER		
MP104	08662-00041	1	3	SHIELD COMPONENT LARGE	28480	08662-00041
	08662-00040	0	3	SHIELD COMPONENT SMALL	28480	08662-00040
	08662-00170	7	1	SHIELD CIRCUIT	28480	08662-00170
2620A AND 2704A AND ABOVE						
MP103	08663-00118	4	1	FAN COVER	28480	08663-00118
MP104	3160-0092	4	1	DISK FAN SHIELD	28480	3160-0092
MP105	2190-0198	2	4	WASHER-SHLDR NO. 4 .123-IN-ID .312-IN-OD	00000	ORDER BY DESCRIPTION
MP106	2280-0003	7	1	NUT-HEX-PLSTC LKG 4-40-THD .141-IN-THK	00000	ORDER BY DESCRIPTION
MP107	1250-0043	3	4	GASKET-RF CONNECTOR .125 IN ID	28480	1250-0043
MP108	1401-0230	1	4	CAP, CLEAR	28480	1401-0230
RT1			1	NOT ASSIGNED		
2234A TO 2451A						
RT2			1	NOT ASSIGNED		
2610A AND ABOVE						
RT2 †	0897-0027	8	1	THERMISTOR DISC 30-OHM TC ₂₅ =-3.9%/C-DEG	28480	0897-0027
2234A TO 2399A						
RV1			1	NOT ASSIGNED		
2342A AND ABOVE						
RV1	08662-60318	1	1	VARIATOR ASSEMBLY	28480	08662-60318
S1	3101-0613	0	1	SWITCH-TGL SUBMIN SPDT 5A 120VAC PC	28480	3101-0613
T1	9100-4014	7	1	TRANSFORMER-POWER 115/230V 48-440HZ	28480	9100-4014
	3050-0027	1	1	WASHER-FL MTLIC NO. 10 .203-IN-ID	28480	3050-0027
	2190-0006	1	2	WASHER-LK HLCL NO. 6 .141-IN-ID	28480	2190-0006
	2360-0318	9	2	SCREW-MACH 6-32 1.875-IN-LG PAN-HD-POZI	00000	ORDER BY DESCRIPTION
U1	5061-4824	9	1	GENERATOR ROTARY PULSE ASSY	28480	5061-4824
W1	08663-60026	9	1	CABLE ASSY-COAX 901 "AM INPUT" (EXCEPT OPTION 001)	28480	08663-60026
W1	08663-60043	0	1	CABLE ASSY-COAX 901 "AM INPUT" (OPTION 001 ONLY)	28480	08663-60043
W2	08663-60027	0	1	CABLE ASSY-COAX 911 "FM INPUT" (EXCEPT OPTION 001)	28480	08663-60027
W2	08663-60044	1	1	CABLE ASSY-COAX 911 "FM INPUT" (OPTION 001 ONLY)	28480	08663-60044
W3	08663-60025	8	1	CABLE ASSY-COAX 907 "PHASE MOD INPUT" (EXCEPT OPTION 001)	28480	08663-60025

†Refer to Section 7 for update information.

*Factory Selected Component (Refer to Section 5).

Table 6-3. Replaceable Parts

old

Reference Designation	HP Part Number	C D	Qty.	Description	Mfr. Code	Mfr. Part Number
W3	08663-60042	9	2	CABLE ASSY-COAX 907 "PHASE MOD INPUT" (OPTION 001 ONLY)	28480	08663-60042
W4	08663-20026	5	1	SEMI RIGID-OUTPUT (EXCEPT OPTION 001)	28480	08663-20026
W5	08663-20027	6	1	SEMI RIGID-OUTPUT (OPTION 001 ONLY)	28480	08663-20027
W6	08663-20025	4	1	SEMI RIGID-AT1-AT2	28480	08663-20025
W7	08663-20024	3	1	SEMI RIGID-A12A1J1-AT1 (INCLUDES E1-10)	28480	08663-20024
W8	08663-60015	6	1	CABLE ASSY-COAX "975"	28480	08663-60015
W9	08663-60019	0	1	CABLE ASSY-COAX "941"	28480	08663-60019
W10	08662-60035	9	1	CABLE ASSY-COAX "940"	28480	08662-60035
W11	08663-60023	6	1	CABLE ASSY-COAX "944" (OPT. 002 ONLY)	28480	08663-60023
W12	08663-60024	7	1	CABLE ASSY-COAX "965"	28480	08663-60024
W13	08663-60042	9		CABLE ASSY-COAX "931"	28480	08663-60042
W14	5061-4807	8	1	CABLE ASSY-COAX "936"	28480	5061-4807
W15	08663-20032	3	1	SEMI RIGID-A12A1J4-A4A2J4	28480	08663-20032
W17	5016-4809	0	1	CABLE ASSY-COAX "934"	28480	5016-4809
W18	08663-60018	7	1	CABLE ASSY-COAX "941"	28480	08663-60018
W19	08662-60040	6	1	CABLE ASSY-COAX "930"	28480	08662-60040
W20	08663-60017	8	1	CABLE ASSY-COAX "933"	28480	08663-60017
W21	08662-60049	6	1	CABLE ASSY-COAX "920"	28480	08662-60049
W22	08662-60050	8	1	CABLE ASSY-COAX "921"	28480	08662-60050
W23	08662-60048	4	1	CABLE ASSY-COAX "922"	28480	08662-60048
W24	08662-60043	9	1	CABLE ASSY-COAX "951"	28480	08662-60043
W25	5061-4808	9	1	CABLE ASSY-COAX "924"	28480	5061-4808
W26	5061-4806	7	1	CABLE ASSY-COAX "925"	28480	5061-4806
W27	08662-60047	3	1	CABLE ASSY-COAX "923"	28480	08662-60047
W28	08662-60030	4	1	CABLE ASSY-COAX "961"	28480	08662-60030
W29	08662-60039	3	1	CABLE ASSY-COAX "932" (OPT. 002 ONLY)	28480	08662-60039
W30	08663-20029	8	1	SEMI RIGID-A4A4J3-A4A3J5 (OPT. 002 ONLY)	28480	08663-20029
W31	08663-20030	1	1	SEMI RIGID-A4A4J6-A4A3J6 (OPT. 002 ONLY)	28480	08663-20030
W32	08663-60014	5	1	CABLE ASSY-COAX "935"	28480	08663-60014
W33	08663-20028	7	1	SEMI RIGID-A4A4J2-A4A4J7 (OPT. 002 ONLY)	28480	08663-20028
W34	08662-60044	0	1	CABLE ASSY-COAX "950"	28480	08662-60044
W35	08662-60034	8	1	CABLE ASSY-COAX "971"	28480	08662-60034
W36	08662-60032	6	1	CABLE ASSY-COAX "972"	28480	08662-60032
W37	08662-60029	1	1	CABLE ASSY-COAX "973"	28480	08662-60029
W38	08662-60028	0	1	CABLE ASSY-COAX "964"	28480	08662-60028
W39	08663-20031	2	1	SEMI RIGID-A4A2J2-A4A2J3	28480	08663-20031
W40	08662-60033	7	1	CABLE ASSY-COAX "974"	28480	08662-60033
W41	08662-60026	8	1	CABLE ASSY-COAX "962"	28480	08662-60026
W42	08662-60021	3	1	CABLE ASSY-COAX "963"	28480	08662-60021
W43	08662-60022	4	1	CABLE ASSY-COAX "965"	28480	08662-60022
W44	08662-60027	9	1	CABLE ASSY-COAX "966"	28480	08662-60027
W45	08662-60023	5	1	CABLE ASSY-COAX "960"	28480	08662-60023
W46	08662-60025	7	1	CABLE ASSY-COAX "967"	28480	08662-60025
W47	08663-60021	4	1	CABLE ASSY-COAX "96"	28480	08663-60021
W48	5061-4810	3	1	CABLE ASSY-COAX "91"	28480	5061-4810
W49	08663-60022	5	1	CABLE ASSY-COAX "92"	28480	08663-60022
W50	08663-60094	1	1	CABLE ASSY-COAX "94"	28480	08663-60094
W51	08663-60031	6	1	CABLE ASSY-COAX "95"	28480	08663-60031
W52	08663-60028	1	1	CABLE ASSY-COAX "90"	28480	08663-60028
W53	08663-60038	3	1	CABLE ASSY-COAX "7"	28480	08663-60038
W54	08663-60052	1	1	CABLE ASSY-COAX "3"	28480	08663-60052
W55	08663-60030	5	1	CABLE ASSY-COAX "97"	28480	08663-60030
W56	08663-60018	9	1	CABLE ASSY-COAX "83"	28480	08663-60018
W57	08662-60059	7	1	CABLE ASSY-COAX "11"	28480	08662-60059
W58	08662-60058	6	1	CABLE ASSY-COAX "8"	28480	08662-60058
W59	08663-60065	6	3	CABLE-COAX-INTERCONNECT	28480	08663-60065
W60	08663-60065	6		CABLE-COAX-INTERCONNECT	28480	08663-60065
W61	08663-60065	6		CABLE-COAX-INTERCONNECT	28480	08663-60065

†Refer to Section 7 for update information.

*Factory Selected Component (Refer to Section 5).

old

Section 7 INSTRUMENT CHANGES

7-1. INTRODUCTION TO THIS SECTION

This section contains instrument modification recommendations and procedures that could improve the performance and reliability of your instrument. Refer to *Instruments Covered by This Manual*, paragraph 1-5 in Section 1 for important information about serial number coverage.

A2A8 (08663-60329)

At instrument serial prefix **2537A** the A2A8 RAM/ROM Assembly 08663-60365 replaced both the A2A8 RAM/ROM Assembly (part number 08663-60329) and the A2A9 ROM Assembly (part number 08663-60331). If either the A2A8 (08663-60329) or the A2A9 (08663-60331) assembly requires replacement, remove both boards and replace them with the new RAM/ROM Assembly, **08663-60365**.

A2A9 (08663-60331)

At instrument serial prefix **2537A** the A2A8 RAM/ROM Assembly 08663-60365 replaced both the A2A8 RAM/ROM Assembly (part number 08663-60329) and the A2A9 ROM Assembly (part number 08663-60331). If either the A2A8 (08663-60329) or the A2A9 (08663-60331) assembly requires replacement, remove both boards and replace them with the new RAM/ROM Assembly, **08663-60365**.

A3A5U2, A3A5U3

At instrument serial prefix **2419A** part number 1820-1780 was replaced by part number 1820-3517 in all applications in the HP 8663A. The new part is the preferred replacement. The new part is directly plug-in compatible on all boards except the A3A5 Assembly.

On the A3A5 Assembly if either U2 or U3 requires replacement, both IC's must be replaced. In addition, resistors A3A5R13 and A3A5R14 must be removed from the board. Terminal solder studs (HP part number **0360-0124**) should be soldered into the R13 and R14 mounting holes and a new value R13 and R14 (287 ohms, HP part number **0698-3443**) should be wrapped and soldered to the terminal studs. Capacitors C24 and C25 (68 pF, HP part number **0160-4803**) are added to the assembly and must be soldered in parallel to R13 and R14 respectively.

A4A2 (08663-60316)

At instrument serial prefix **2248A**, A4A2 Doubler #2 Assembly, HP part number 08663-60316 was replaced by a new A4A2 Doubler #2 Assembly. The 08663-60316 is no longer available, if this assembly requires replacement, order HP part number **08663-60351**. A rebuilt Doublber #2 Assembly is also available refer to Section 6 for information.

A4A3 - Standard and Option 001 (08663-60346)

At instrument serial prefix **2451A**, A4A3 Distributor Assembly, HP part number 08663-60346 was replaced by a new A4A2 Distributor Assembly. The 08663-60346 is no longer available, if this assembly requires replacement, order HP part number **08663-60362**.

*pld***A4A3 - Option 002 Only (08663-60304)**

At instrument serial prefix **2451A**, A4A3 Distributor Assembly, HP part number 08663-60304 was replaced by a new A4A2 Distributor Assembly. The 08663-60304 is no longer available, if this assembly requires replacement, order HP part number **08663-60361**.

A4A4 (08663-60011)

At instrument serial prefix **2535A**, A4A4 Phase Modulator Assembly, HP part number 08663-60011 was replaced by a new A4A4 Phase Modulator Assembly. The 08663-60011 is no longer available, if this assembly requires replacement, order HP part number **08663-60070**.

A4A4A2 (08663-60314)

At instrument serial prefix **2535A**, A4A4A2 Phase Mod IF Amp Assembly, HP part number 08663-60314 was replaced by a new A4A4A2 Phase Modulator Assembly. The 08663-60314 is no longer available, if this assembly requires replacement, the entire A4A4 Phase Modulator Assembly must be replaced with HP part number **08663-60070**.

A4A4A2Q1 (1854-0483)

At instrument serial prefix **2535A**, A4A4A2Q1, HP part number 1854-0483 became no longer available from the vendor, consequently, major modifications were made to the A4A4A2 Assembly. If A4A4A2Q1 requires replacement, the entire A4A4 Phase Modulator Assembly must be replaced with HP part number **08663-60070**.

A4A4A3 (08663-60313)

At instrument serial prefix **2535A**, A4A4A3 PM LO Amp 1 Assembly, HP part number 08663-60313 was replaced by a new A4A4A3 Phase Modulator Assembly. The 08663-60313 is no longer available, if this assembly requires replacement, the entire A4A4 Phase Modulator Assembly must be replaced with HP part number **08663-60070**.

A4A4A3Q1 (1854-0483)

At instrument serial prefix **2535A**, A4A4A3Q1, HP part number 1854-0483 became no longer available from the vendor, consequently, major modifications were made to the A4A4A3 Assembly. If A4A4A3Q1 requires replacement, the entire A4A4 Phase Modulator Assembly must be replaced with HP part number **08663-60070**.

A4A4A5 (08663-60311)

At instrument serial prefix **2535A**, A4A4A5 PM LO Amp 2 Assembly, HP part number 08663-60311 was replaced by a new A4A4A5 Phase Modulator Assembly. The 08663-60311 is no longer available, if this assembly requires replacement, the entire A4A4 Phase Modulator Assembly must be replaced with HP part number **08663-60070**.

A4A4A5Q1 (1854-0483)

At instrument serial prefix **2535A**, A4A4A5Q1, HP part number 1854-0483 became no longer available from the vendor, consequently, major modifications were made to the A4A4A5 Assembly. If A4A4A5Q1 requires replacement, the entire A4A4 Phase Modulator Assembly must be replaced with HP part number **08663-60070**.

A6A3 (08662-60314)

At instrument serial prefix **2510A**, A6A3 HF Multiplier Assembly, HP part number 08662-60314 was replaced by a new A6A3 HF Multiplier Assembly. The 08662-60314 is no longer available, if this assembly requires replacement, order HP part number **08662-60327**.

A6A4U7

At instrument serial prefix **2516A** a new date code of U7 parts (HP part number 1820-1781) was supplied by the vendor. If U7 must be replaced in instruments with serial number prefixes prior to 2516A, the following components should also be changed to ensure proper operation. Change R148 to HP part number **0698-7239**. Change VR2 to HP part number **1902-0955**.

A6A5U7

At instrument serial prefix **2516A** a new date code of U7 parts (HP part number 1820-1781) was supplied by the vendor. If U7 must be replaced in instruments with serial number prefixes prior to 2516A, the following components should also be changed to ensure proper operation. Change R148 to HP part number **0698-7239**. Change VR2 to HP part number **1902-0955**.

A7A4 (08662-60156)

At instrument serial prefix **2545A**, A7A4 Power Supply Motherboard, HP part number 08662-60156 was replaced by a new A7A4 Power Supply Motherboard Assembly. The 08662-60156 is no longer available, if this assembly requires replacement, the A7A4 Assembly must be replaced with HP part number **08662-60376**.

WARNING

If replacing the old A7A4 Power Supply Motherboard with the new 08662-60376, extreme care should be exercised as the connection are arranged in a different order. For information regarding installing a new A7A4 Assembly in an instrument with serial prefix prior to 2545A, refer to Installation instructions 08662-90069 included in Section 8 of this manual.

A8A2 (08662-60001)

At instrument serial prefix **2319A**, A8A2 VCO Assembly, HP part number 08662-60001 was replaced by a new A8A2 VCO Assembly. The 08662-60001 is no longer available, if this assembly requires replacement, order HP part number **08662-60317**.

A8A3 (10544B(003))

At instrument serial prefix **2447A**, A8A3 10 MHz Reference Oscillator Assembly, HP part number 10544B(003) was replaced by a new A8A3 10 MHz Reference Oscillator Assembly. The 10544B(003) is no longer available, if this assembly requires replacement, order HP part number **5061-6002**.

A8A5 (08662-60191)

At instrument serial prefix **2408A**, A8A5 Reference Section Motherboard Assembly, HP part number 08662-60191 was replaced by a new A8A5 Reference Section Motherboard Assembly. The 08662-60191 is no longer available, if this assembly requires replacement, order HP part number **08662-60322**.

old

A12A3MP3

At instrument serial prefix **2416A** an insulating pad, HP part number 08663-00103 was added to the UHF Front Cover to insulate the cover from shorting component A12A2Q1. If the UHF Front cover of your instrument does not have this insulator installed, either a new UHF Front Cover (HP part number 08663-00085) can be installed, or the insulating pad (HP part number 08663-00103) can be ordered separately and added to the old cover.

MISCELLANEOUS PARTS

B1

If B1 (Fan) needs replacement order Fan Replacement Kit **08663-60383**.

MP23

If MP23 (Rear Panel) needs replacement order Rear Panel Replacement Kit **08663-60384**.

MP103

If MP103 needs replacement order Fan Replacement Kit **08663-60383**.

RT2

At instrument serial prefix **2510A**, RT2 was added as a recommended retrofit when fuse blowing due to current surge transients during 230 volt operation occurs.

VOLUME 2 CONTENTS

old

Schematic Service Sheet Number	Block Diagram	Assembly or Section	Theory/Trouble-Shooting Page Number	Parts List Page Number
BD1	—	Overall Block Diagram (Instrument Level)	8-201	—
BD2	—	Reference Section	8-213	—
BD3	—	High Frequency Loops Section	8-217	—
BD4	—	Fractional-N Loops Section	8-223	—
BD5	—	Low Frequency Loops Section	8-233	—
BD6	—	Output Section	8-241	—
BD7	—	Modulation Section	8-249	—
BD8	—	Phase Modulation Section	8-257	—
BD9	—	Digital Control Unit (DCU) Section	8-261	—
BD10	—	Power Supply Section	8-289	—
SS1	BD2	A8A3 10 MHz Reference Oscillator	8-301	6-176
	BD2	A8A4 Reference Buffer		
SS2	BD2	A6A1 Reference Section LF Multiplier	8-307	6-117
SS3	BD2	A6A3 Reference Section HF Multiplier	8-313	6-125
SS4	BD2	A6A2 Reference Section LO Drive	8-319	6-121
SS5	BD3	A6A9 HP Loops and Reference Sections Controller	8-325	6-155
SS6	BD3	A6A6 Reference Sum Loop RF Mixer	8-331	6-149
SS7	BD3	A6A4 Reference Sum Loop Phase Detector	8-337	6-133
SS8	BD3	A6A4 Reference Sum Loop Phase Detector	8-347	6-133
SS9	BD3	A6A7 RF Buffer	8-355	6-151
SS10	BD3	A6A8 Output Sum Loop RF Mixer	8-361	6-153
SS11	BD3	A6A4 Output Sum Loop Phase Detector	8-367	6-133
SS12	BD3	A6A4 Output Sum Loop Phase Detector	8-377	6-133

CHANGES *old*

2408A and Above

On the schematic:

- J16, W94, W96, A8C6, A8A5R1, A8A5R2, - Modify the schematic as shown in the partial schematic "P/O Figure 8-303. A8A3 and A8A4 10 MHz Reference Oscillator and Buffer Schematic (2408A)" on page 8-304.3

2447A and Above

On the A8A3 schematic:

- A8A3 - Change the part number of the A8A3 10 MHz Reference Oscillator to 10811-60111.

CHANGES

old

2319A and Above

On the A8A2 schematic:

- A8A2 - Change the part number of the A8A2 Assembly to 08662-60317.

2601A and Above

On the schematic:

- A6A5Q7 - In the Table of Transistor and Integrated Circuit Part Numbers, change the part number of Q7 to 1854-1046.

2706A and Above

On the schematic:

- A6A5 - Change the part number of the A6A5 assembly to 08662-60357.

CHANGES

old

2748A and Above

On the A6A8 schematic:

- A6A8C26 - Add C26 4.7p to ground between R10 and U2.

CHANGES*pld***2601A and Above**

On the schematic:

- A6A4Q7 - In the Table of Transistor and Integrated Circuit Part Numbers, change the part number of Q7 to 1854-1046.

2706A and Above

On the schematic:

- A6A4 - Change the part number of the A6A4 schematic to 08662-60358.

CHANGES *old***2441A and Above**

On the A3A4 schematic:

- A3A4R10, R12, R13, R16, R19 - Change the values of these resistors to the new values shown below:

R10	3.83k
R12	17.8k
R13	21.5k
R16	14.7k
R19	75k

2549A and Above

On the A3A4 schematic:

- A3A4R1, R12, R13, R16, R24, R25 - Change the values of these resistors to the new values shown below:

R1	100k
R12	23.7k
R13	34.8k
R16	31.6k
R24	422 ohms
R25	1k

2619A and Above

On the A3A4 schematic:

- A3A4R24, R25 - Change the value of R24 to 26.1 ohms. Change the value of R25 to 316 ohms.

CHANGES

add

All Serial Prefixes

On the Component Locator:

- C23, C24, C26, C27 - Delete C23, C24 and C27. Change the current C27 to C23.

2441A and Above

On the A3A7 schematic:

- A3A7R12, R13, R15, R17, R20 - Change the values of these resistors to the new values shown below:

R12	3.83k
R13	17.8k
R15	21.5k
R17	14.7k
R20	75k

2449A and Above

On the A3A7 schematic:

- A3A7R28, R30 - Change the value of R28 and R30 to 1.21k.

2549A and Above

On the A3A7 schematic:

- A3A7R5*, R10, R12, R13, R15, R17, R20 - Change the values of these resistors to the new values shown below:

R5*	5.11k
R10	5.11k
R12	4.22k
R13	21.5k
R15	34.8k
R17	26.1 ohms
R20	90.9k

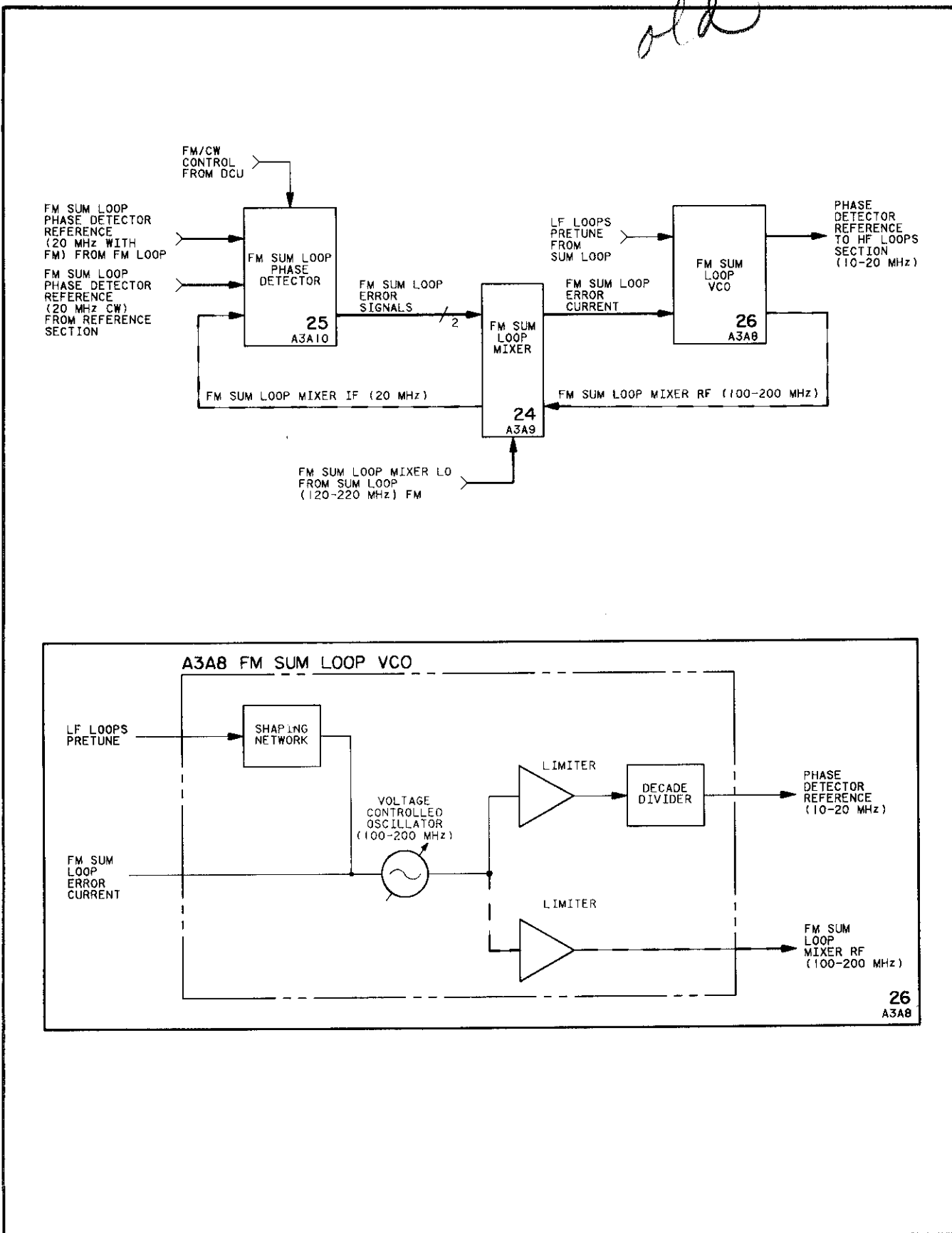


Figure 8-445. A3A8 FM Sum Loop Voltage Controlled Oscillator Block Diagrams

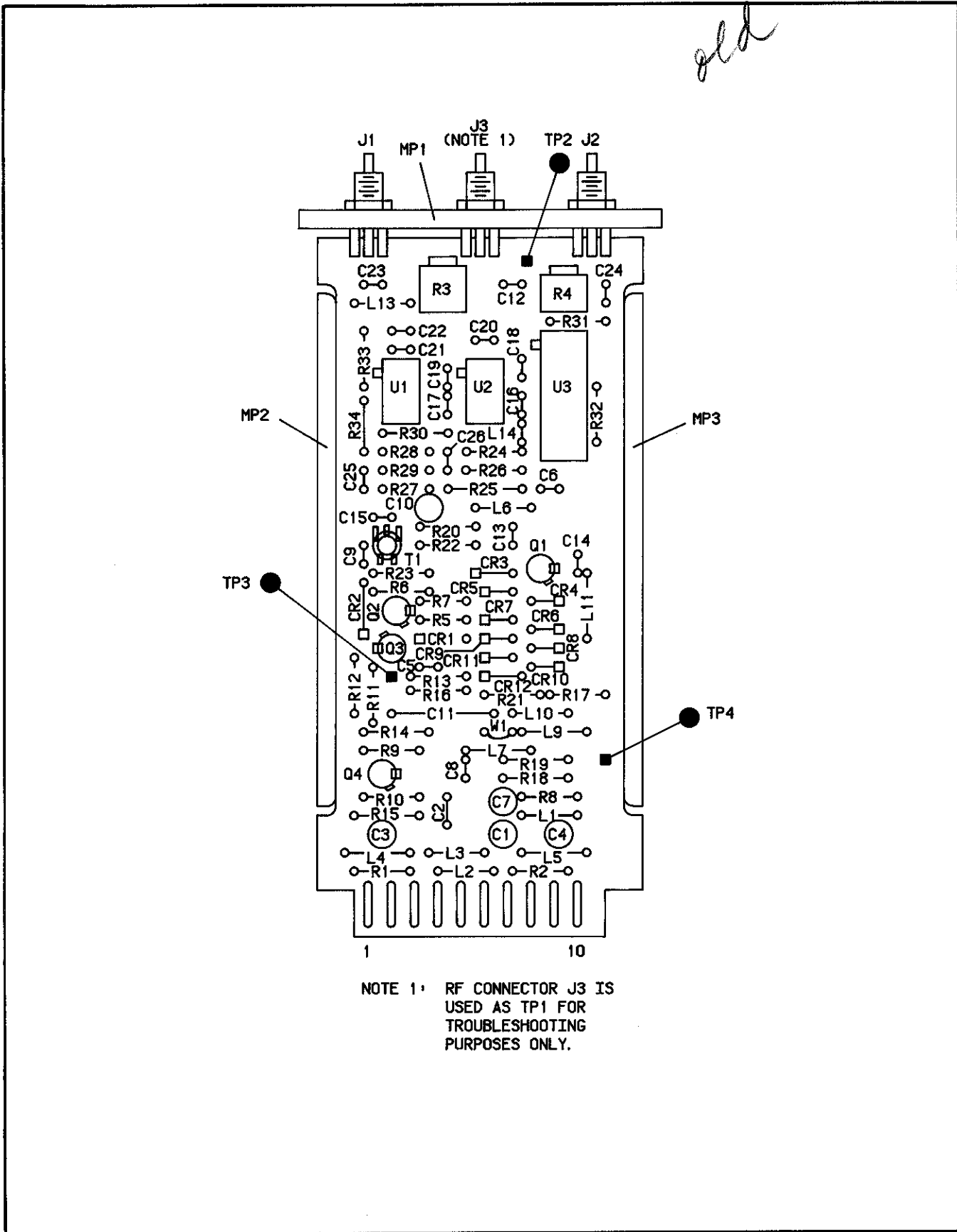


Figure 8-446. A3A8 FM Sum Loop Voltage Controlled Oscillator Component Locator

CHANGES

old

All serial prefixes

On the schematic:

- +5V Bullet "C" - On the left side of the A4A3 schematic, change the service sheet reference for the bullet labeled "C" to 65.

On the A4A3 schematic:

- A4A3R2 - Change the value of R2 to 3.83 ohms.
- A4A3C24 - The symbol shown for C24 (470p) is a resistor. Change the symbol to a capacitor symbol.

2245A and Above

On the schematic:

- A4A6 - On the left side of the schematic, add A4A6 as shown in the figure "P/O Figure 8-503. P/O Distributor Schematic (2245A)" on page 8-502.3
- NOTES - On the right side of the schematic, under NOTES, add note 4 as follows:

1. The small chip components on this assembly require low-temperature soldering techniques. Use silver solder.

2350A and Above

On the A4A3 component locator:

- W2 - Use the component locator "P/O Figure 8-502. P/O A4A3 distributor Component Locator (2350A)" on page 8-502.3.

On the A4A3 schematic:

- W2 - Modify the schematic as shown in the partial schematic, "P/O Figure 8-503. P/O Distributor Schematic (2350A)" on page 8-502.4.
 - W2 - On the right side of Figure 8-503, under "NOTES", add note 5 as follows:
5. W2 is a quarter wavelength open-circuit coaxial stub used to attenuate a 4 MHz spur.

2401A and Above

On the A4A3 component locator:

- A4A3C65 - Add capacitor C65 between U4 and L10. (Use component locator on page 8-502.3)

On the A4A3 schematic:

- A4A3C65 - Add capacitor C65 (100p) from the node of R34 and L10 to ground.

2451A and Above

On the component locator:

- A4A3 - Modify the component locator as shown in the partial component locator "P/O Figure 8-502. P/O A4A3 Distributor Component Locator (2451A)" on page 8-502.5.

On the A4A3 schematic:

- A4A3 - Change the part number of the A4A3 Assembly to 08663-60362 (standard), and 08663-60361 (Option 002).
- A4A3 - Modify the schematic as shown in the partial schematic "P/O Figure 8-503. P/O Distributor Schematic (2451A)" on page 8-502.5
- W2, NOTES - W2 and NOTE 5 were added on serial break 2350A. W2 is no longer used; in its place is an open circuit stub (printed circuit trace). Change NOTE 5 to read:
 5. A quarter wavelength open-circuit stub is used to attenuate a 4 MHz spur. The stub is a printed circuit trace.
- A4A3C65 - Change the value of C65 to 10p.
- A4A3L10 - Change the value of L10 to 120u.

old

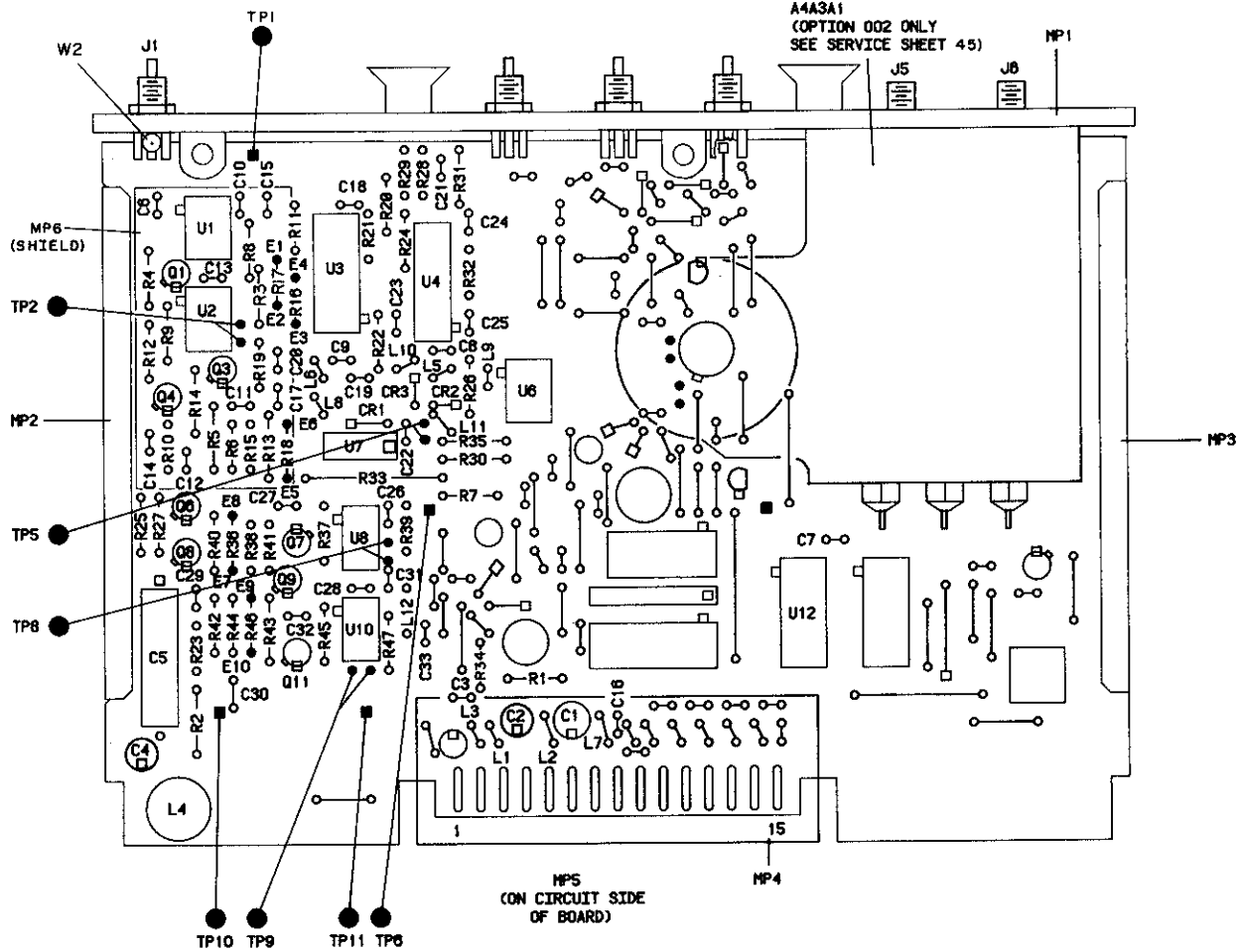
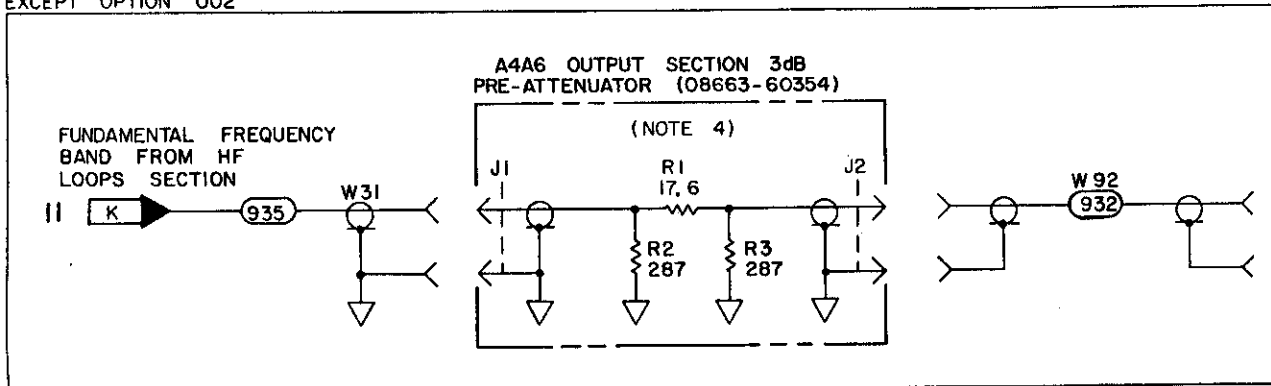


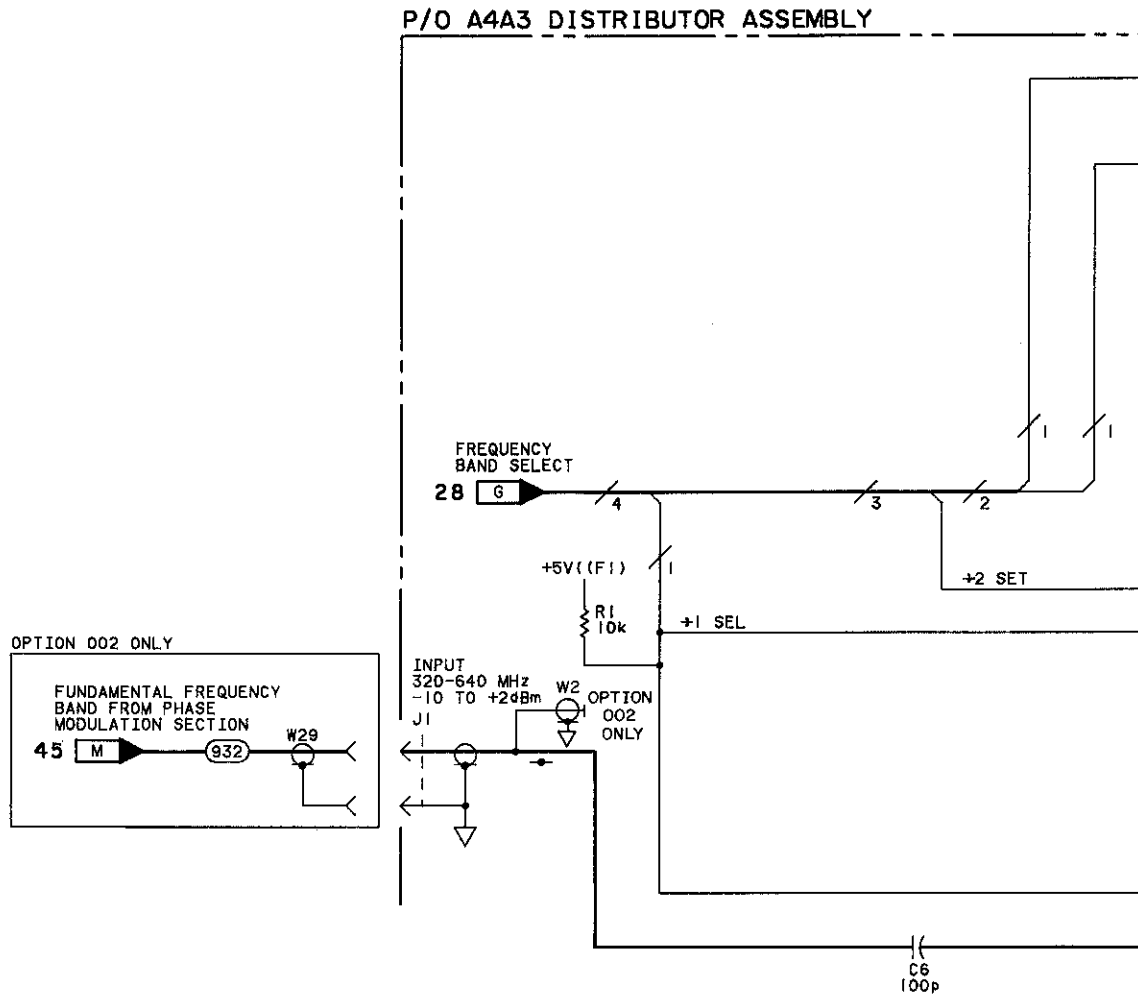
Figure 8-502. P/O A4A3 Distributor Component Locator (2350A)

EXCEPT OPTION 002

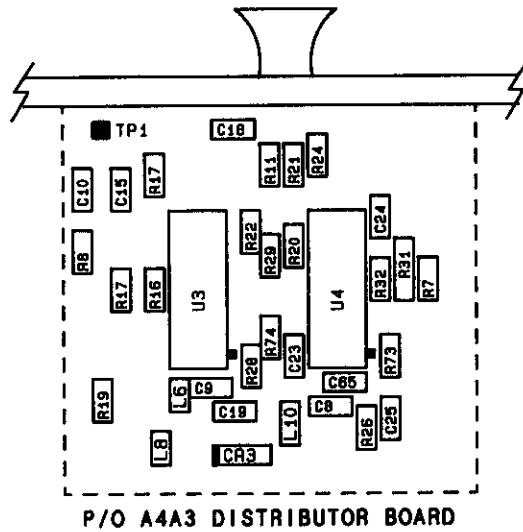


P/O Figure 8-503. P/O Distributor Schematic (2245A)

old

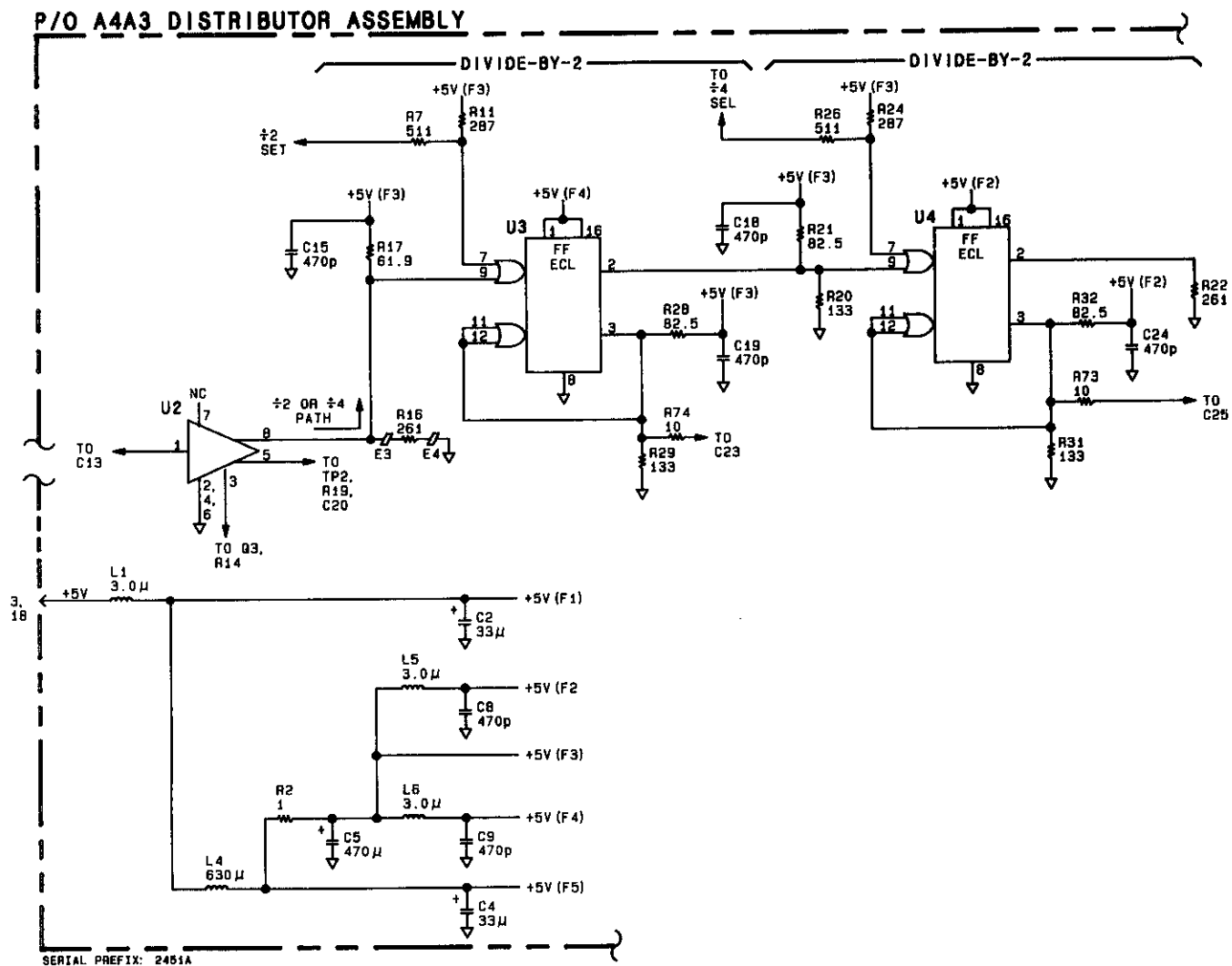


P/O Figure 8-503. P/O Distributor Schematic (2350A)



sld

P/O Figure 8-502. P/O A4A3 Distributor Component Locator (2451A)



P/O Figure 8-503. P/O Distributor Schematic (2451A)

CHANGES**All serial prefixes**

On the schematic:

- A4A2U5 - In the table of Transistor and Integrated Circuit Part Numbers, change the part number of U5 to 1826-0921.
- W39 - Assign reference designator W39 to the coaxial cable connecting A4A2A1 FREQ X1 output to U3 640-1280 MHz input.
- W1 - Assign reference designator W1 to the coaxial cable connecting A4A3A1 FREQ X2 output to U3 1280-2560 MHz input.
- U3 - On U3 (AMP/FILT/MOD) locate *OUTPUT AMPLIFIER* and change U3 pin 2 signal path to U7D pin 12. Change U3 pin 9 signal path (FET gate) to U7D pin 14 (through R50).
- U7B - Under *DRIVER AMPLIFIER BIAS REGULATOR*, connect U7B pin 8 to the gate of the U3 *DRIVER AMPLIFIER* and connect U7B pin 3 to the drain of the U3 *DRIVER AMPLIFIER*.

2248A and Above

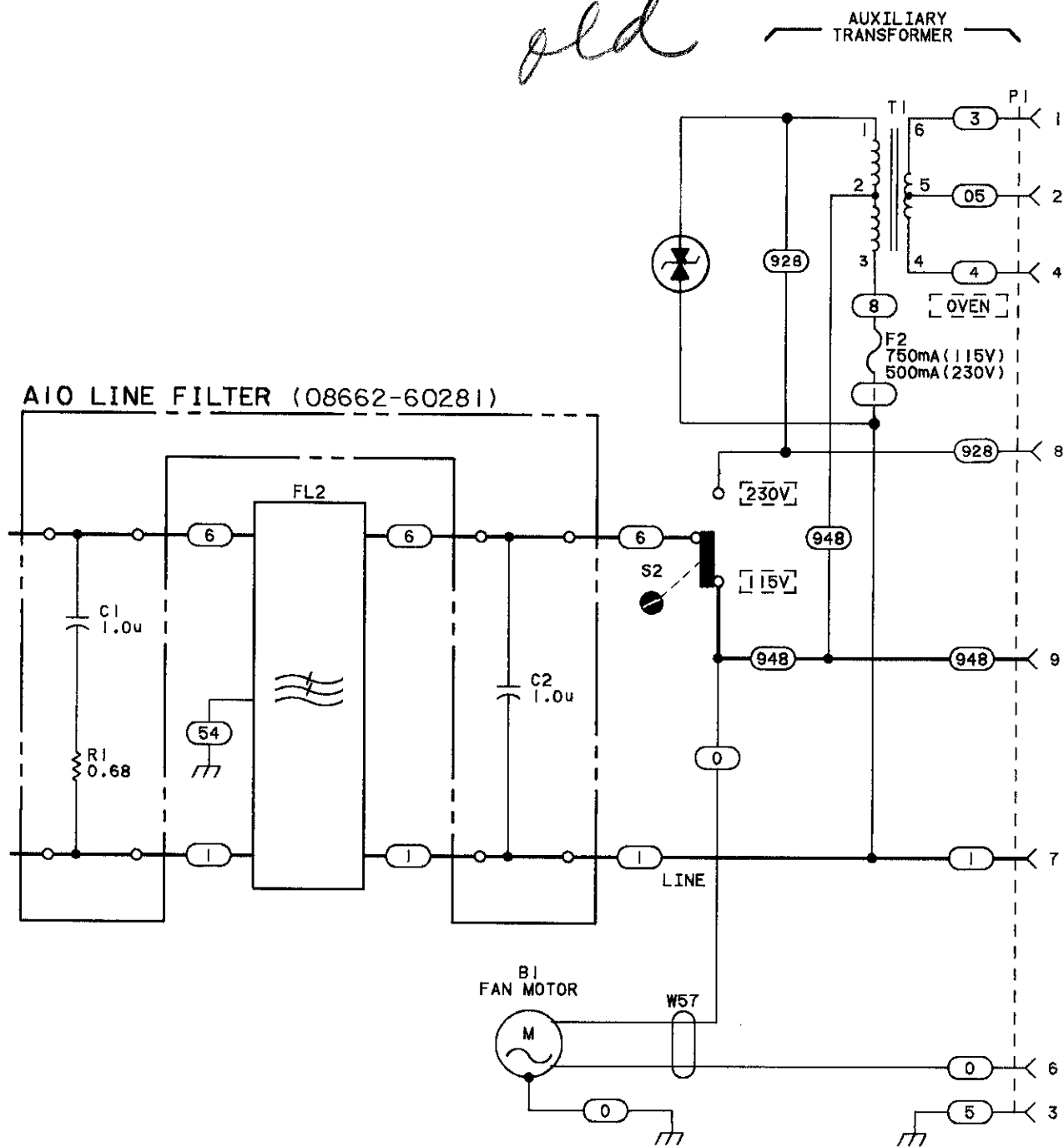
A4A2 component locator:

- Use the A4A2 component locator on page 8-534.3

On the A4A2 schematic:

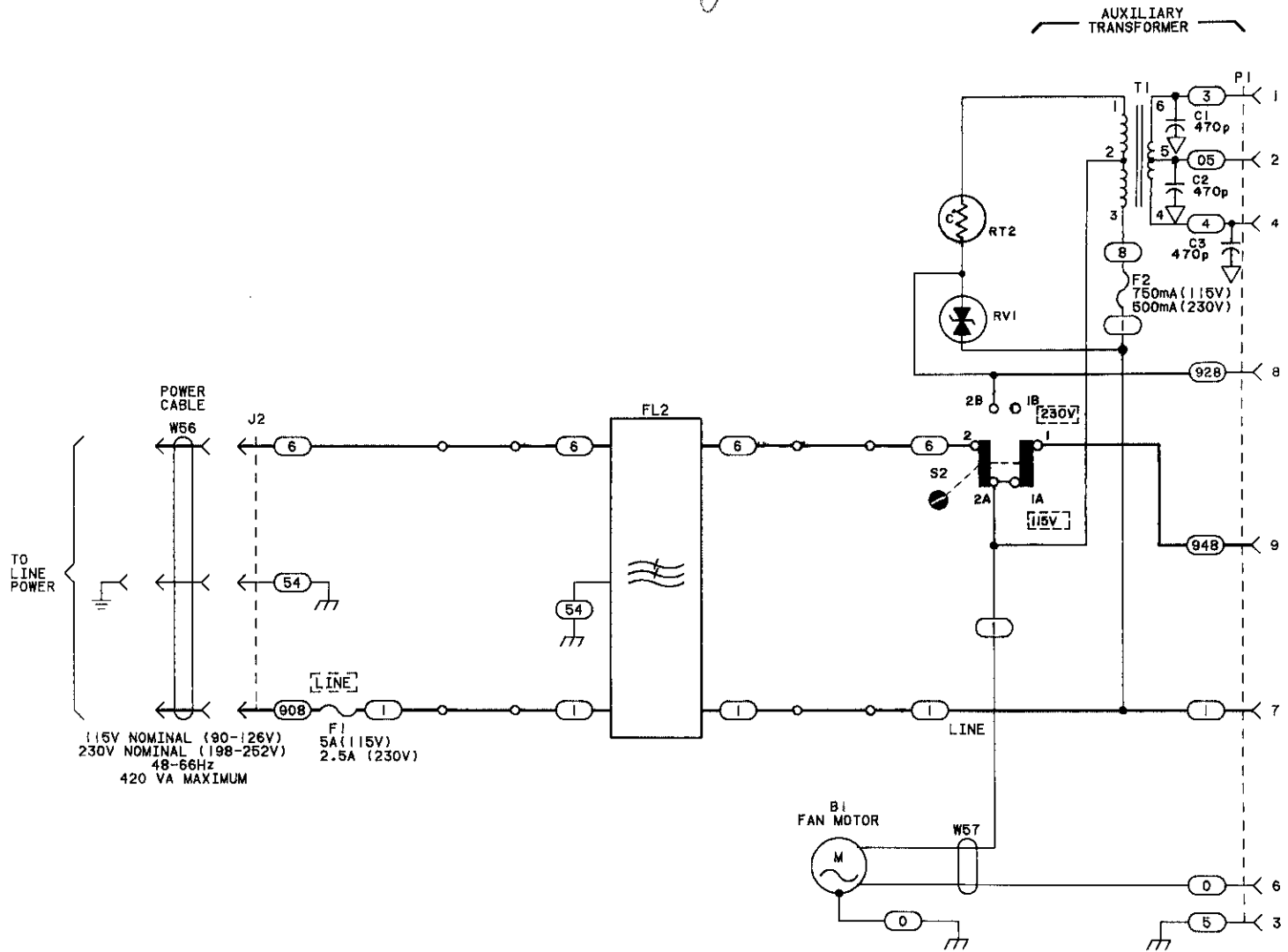
- Change the part number of the A4A2 Assembly to 08663-60351.

old



P/O Figure 8-908. A7A3 Power Supply Inverter, Motherboard & Line Filter Schematic (2342A)

old



P/O Figure 8-908. A7A3 Power Supply Inverter, Motherboard & Line Filter Schematic (2510A)

VOLUME 1 CONTENTS

Section 6 – Replaceable Parts

Introduction to This Section	6-1
Restored Assemblies	6-1
Reference Designations and Abbreviations Used in This Manual	6-1
Replaceable Parts List	6-1
Factory Selected Parts (*)	6-1
Instrument Changes	6-1
Ordering Parts	6-2
Replaceable Parts List Updating (Manual Updates)	6-2
Mechanical and Chassis Part Locations and Reference Designations	6-3
Ordering Information	6-3
Recommended Spares List	6-3
Phase Modulation Retrofit Kit	6-3

Section 7 – Instrument Changes

Introduction to This Section	7-1
A2A8 (08663-60329)	7-1
A2A9 (08663-60331)	7-1
A3A5U2, A3A5U3	7-1
A4A2 (08663-60316)	7-1
A4A3 - Standard and Option 001 (08663-60346)	7-1
A4A3 - Option 002 Only (08663-60304)	7-2
A4A4 (08663-60011)	7-2
A4A4A2 (08663-60314)	7-2
A4A4A2Q1 (1854-0483)	7-2
A4A4A3 (08663-60313)	7-2
A4A4A3Q1 (1854-0483)	7-2
A4A4A5 (08663-60311)	7-2
A4A4A5Q1 (1854-0483)	7-2
A6A3 (08662-60314)	7-3
A6A4U7	7-3
A6A5U7	7-3
A7A4 (08662-60156)	7-3
A8A2 (08662-60001)	7-3
A8A3 (10544B(003))	7-3
A8A5 (08662-60191)	7-3
A12A3MP3	7-4
MISCELLANEOUS PARTS	7-4
B1	7-4
MP23	7-4
MP103	7-4
RT2	7-4

Section 8 – Service

Safety Considerations	8-100
General	8-100
Before Applying Power	8-100
Safety Earth Ground	8-100
Safety Symbols	8-100
Introduction	8-102
Instrument Covered By Manual	8-102
Circuit Descriptions	8-102
Troubleshooting	8-102
General	8-102
Status Light and Status Codes	8-103
Recommended Test Equipment	8-103
Service Tools and Aids	8-103
Service Accessory Kit	8-103
Parts Locations	8-103
Test Points and Adjustment Locations	8-103
Service Aids on Printed Circuit Boards	8-103
Poizdriv Screwdrivers	8-104
Tuning Tools	8-104
Silver Solder	8-104
Repair	8-104
Factory Selected Components (*)	8-104
Disassembly Procedures	8-104
Post-Repair Adjustments and Performance Tests	8-104
Post-Service Product Safety Checks	8-106
Etched Circuits (Printed Circuit Boards)	8-106
MOS and CMOS Integrated Circuit Replacement	8-106
Logic Symbolology	8-107
Basic Definitions	8-107
Complex Device Symbolology	8-112
Logic Device Theory	8-114
Schmitt Trigger	8-114
One-Shot Multivibrator	8-114
D-Type Flip-Flop (Edge Triggered)	8-114
Four-Bit Register (Level Triggered)	8-115
Presetable Counter	8-115
Three-Bit Binary One-of-Eight Decoder	8-116
Analog Multiplexer	8-116
Digital-to-Analog Converter	8-117
Four-Bit BCD Summer	8-117
Divide-by-10/11 Prescaler	8-117
Eight-to-Three Line Priority Encoder	8-117
Random Access Memory (RAM)	8-118
Read-Only Memory (ROM)	8-120
Analog Switch	8-120
Analog Multiplexer	8-121
Phase-Frequency Detector	8-121
Linear Device Theory	8-122
Operational Amplifiers	8-122
Comparators	8-123
Limiter (Transistor Array)	8-123
Schematic Diagram Notes	8-123

Section 6 REPLACEABLE PARTS

6-1. INTRODUCTION TO THIS SECTION

This section contains information for ordering parts. Table 6-1 lists assemblies within the instrument that may be replaced on an exchange basis. Table 6-2 lists reference designations and abbreviations that are used in the Replaceable Parts List. Table 6-3 lists all replaceable parts in the instrument. Table 6-4 contains the names and addresses that correspond to the manufacturer's code numbers listed in Table 6-3. Also included in this section are photographs and drawings to aid in identifying and ordering chassis mounted parts and mechanical parts.

6-2. RESTORED ASSEMBLIES

Table 6-1 lists assemblies within the instrument that may be replaced on an exchange basis, thus affording a considerable cost savings. Exchange, factory-repaired and tested assemblies are available only on a trade-in basis; therefore, the defective assemblies must be returned for credit. For this reason, assemblies required for spare parts stock must be ordered by the new assembly part number.

6-3. REFERENCE DESIGNATIONS AND ABBREVIATIONS USED IN THIS MANUAL

Table 6-2 lists the reference designation letters for electrical parts in the instrument. The letter designations found in Table 6-2 are coupled with numeric designations to provide a unique reference designation for each part in the instrument. For example A1A1R1 is the reference designation of a particular resistor R1 on assembly A1A1.

Table 6-2 also lists abbreviations used in the parts list and on schematics.

6-4. REPLACEABLE PARTS LIST

Table 6-3 is a list of replaceable parts and is organized as follows:

- a. Electrical assemblies and their components with reference designations in alphanumeric order.
- b. Chassis-Mounted parts with reference designations in alphanumeric order.
- c. Mechanical parts with reference designations in alphanumeric order.

Factory Selected Parts (*).

Parts marked with an asterisk (*) are factory selected parts. The value listed in the parts list is the nominal value. Refer to Section 5 for information on determining what value to use for replacement.

Instrument Changes (†).

Parts marked with a dagger have been changed to improve the performance and reliability of your instrument. Refer to Section 7 for an explanation of instrument changes.

Ordering Parts.

Instrument Serial Numbers.

Attached to the rear of the instrument is a serial-number plate. The first four digits and the letter are the instrument serial-number prefix. The last five digits (serial-number suffix) are unique to each instrument. When parts in the instrument are changed, the serial-number prefix of the instrument may also change. This means that sometimes a part will be listed more than once in the replaceable parts list along with a serial-number prefix or range of serial-number prefixes. Find the serial-number prefix on the serial plate of your instrument and order the part listed under the corresponding prefix in the table. If no serial prefix information is listed, the part is compatible in instruments of all serial numbers.

NOTE

It is possible that some assemblies in your instrument have been updated (through service or retrofitting) to reflect changes made to instruments with serial-number prefixes later than that shown on your instrument serial-number tag. Be sure to note the board number of the assembly being repaired or replaced when ordering parts for your instrument.

How to Order

To order a part in the Replaceable Parts List, call or write the nearest Hewlett-Packard Sales Office. Have the following information ready to speed the ordering process:

1. The Hewlett-Packard part number with the check digit. (The check digit will ensure accurate and timely processing of your order.)
2. The quantity required.
3. An approved purchase order number. (Sometimes required.)

NOTE

Within the USA, it is better to order directly from the HP Support Materials Organization, Roseville, California. Ask your nearest HP office for information and forms for the "Direct Order System".

Replaceable Parts List Updating (Manual Updates)

A "MANUAL UPDATES" packet is shipped with the manual, when necessary, to provide the most current information available at the time of shipment. These packets consist of replacement and addition pages which should be incorporated into the manual to bring it up to date.

Hewlett-Packard offers a Documentation Update Service that will provide you with further updates as they become available. If you operate or service instruments of different serial prefixes, we strongly recommend that you join this service immediately to ensure that your manual is kept current. For more information, refer to the Documentation Update Service reply card included in this manual, or call: Technical Writing Department (509) 922-4001,

or write: Hewlett-Packard Company
Technical Writing Department
24001 E. Mission - TAF C-34
Spokane, WA 99220

6-5. MECHANICAL AND CHASSIS PART LOCATIONS AND REFERENCE DESIGNATIONS

Most mechanical parts are identified in Figures 6-1 and 6-2. These figures are located at the end of this section. Major mechanical parts have reference designations that begin with the letters MP. To find the part number and description of a mechanical part, find the part in one of the photographs or drawings, and then look up the reference designation in Table 6-3. Mechanical hardware, such as screws (not shown on the drawings or photos) are listed under the part which they attach. For example, the screws that attach the support bracket, MP43, are listed under MP43.

6-6. ORDERING INFORMATION

To order a part listed in the replaceable parts table, quote the Hewlett-Packard Part number (with the check digit), indicate the quantity required, and address the order to the nearest Hewlett-Packard office (see note). The check digit will ensure accurate and timely processing of your order.

To order a part that is not listed in the replaceable parts table, include the instrument model number, instrument serial number, description and function of the part, and the number of parts required. Address the order to the nearest Hewlett-Packard office.

NOTE

Within the USA, it is better to order directly from the HP Parts Center in Mountain View, California. Ask your nearest HP office for information and forms for the "Direct Mail Order System."

6-7. RECOMMENDED SPARES LIST

Stocking spare parts for an instrument is often done to ensure quick return to service after a malfunction occurs. Hewlett-Packard prepares a "Recommended Spares" list for this instrument. The contents of the list are based on failure reports and repair data. Quantities given are for one year of parts support. A complimentary copy of the "Recommended Spares" list and information concerning a "Spare Parts Kit" may be requested from your nearest Hewlett-Packard Office.

When stocking parts to support more than one instrument or to support a variety of Hewlett-Packard instruments, it may be more economical to work from one consolidated list rather than simply adding together stocking quantities from the individual instrument lists. Hewlett-Packard will prepare consolidated "Recommended Spares" lists for any number or combination of instruments. Contact your nearest Hewlett-Packard Office for details.

6-8. PHASE MODULATION RETROFIT KIT

It is possible to add phase modulation to an instrument which was ordered without that option (option 002). The modification kit is part number 08663-60348 and can be installed by any Hewlett-Packard repair facility.

Table 6-1. Part Numbers for Restored Assemblies

Reference Designator	Description	Part number ¹	
		Restored Assy	New Assy
AT1, AT2, A2A9U7	Standard Attenuator Kit ² (Front Output)	08663-60102	08663-60104
AT1, AT2, A2A9U7	Option 001 Attenuator Kit ² (Rear Output)	08663-60103	08663-60105
A4A2	Doubler #2 Assembly	08663-60100	08663-60351
A8A1, A8A2	High Frequency VCO	08662-60083	08662-60001
A12A1U1	Output Amplifier Microcircuit	08663-67103	08663-67002
A12A4	Doubler #1 Assembly	08663-60106	08663-60307

¹ When ordering extra assemblies for spare parts stock, use the new assembly part number only. Orders for the restored part number require return of the defective part.

² Attenuators are not separately replaceable. If either attenuator or the ROM fails, a complete kit must be ordered and installed. Both attenuators and the ROM must be returned if the restored assembly is ordered.

Table 6-2. Reference Designations and Abbreviations (1 of 2)

REFERENCE DESIGNATIONS

A assembly	E miscellaneous electrical part	P electrical connector (movable portion); plug	U integrated circuit; microcircuit
AT attenuator; isolator; termination	F fuse	Q transistor; SCR; triode thyristor; FET	V electron tube
B fan; motor	FL filter	R resistor	VR voltage regulator; breakdown diode
BT battery	H hardware	RT thermistor	W cable; transmission path; wire
C capacitor	HY circulator	S switch	X socket
CP coupler	J electrical connector (stationary portion); jack	T transformer	Y crystal unit (piezo-electric or quartz)
CR diode; diode thyristor; varactor	K relay	TB terminal board	Z tuned cavity; tuned circuit
DC directional coupler	L coil; inductor	TC thermocouple	
DL delay line	M meter	TP test point	
DS annunciator; signaling device (audible or visual); lamp; LED	MP miscellaneous mechanical part		

ABBREVIATIONS

A ampere	COEF coefficient	EDP electronic data processing	INT internal
ac alternating current	COM common	ELECT electrolytic	kg kilogram
ACCESS accessory	COMP composition	ENCAP encapsulated	kHz kilohertz
ADJ adjustment	COMPL complete	EXT external	k kilohm
A/D analog-to-digital	CONN connector	F farad	kV kilovolt
AF audio frequency	CP cadmium plate	FET field-effect transistor	lb pound
AFC automatic frequency control	CRT cathode-ray tube	F/F flip-flop	LC inductance-capacitance
AGC automatic gain control	CTL complementary transistor logic	FH flat head	LED light-emitting diode
AL aluminum	CW continuous wave	FIL H fillister head	LF low frequency
ALC automatic level control	cw clockwise	FM frequency modulation	LG long
AM amplitude modulation	cm centimeter	FP front panel	LH left hand
AMPL amplifier	D/A digital-to-analog	FREQ frequency	LIM limit
APC automatic phase control	dB decibel	FXD fixed	LIN linear taper (used in parts list)
ASSY assembly	dBm decibel referred to 1 mW	g gram	LK WASH lock washer
AUX auxiliary	dc direct current	GE germanium	LO low; local oscillator
avg average	deg degree (temperature interval or difference)	GHz gigahertz	LOG logarithmic taper (used in parts list)
AWG American wire gauge	...° degree (plane angle)	GL glass	log logarithm(ic)
BAL balance	°C degree Celsius (centigrade)	GRD ground(ed)	LPF low pass filter
BCD binary coded decimal	°F degree Fahrenheit	H henry	LV low voltage
BD board	°K degree Kelvin	HET heterodyne	m meter (distance)
BECU beryllium copper	DEPC deposited carbon	HEX hexagonal	mA milliamper
BFO beat frequency oscillator	DET detector	HD head	MAX maximum
BH binder head	diam diameter	HDW hardware	M megohm
BKDN breakdown	DIA diameter (used in parts list)	HF high frequency	MEG meg (10 ⁶) (used in parts list)
BP bandpass	DIFF AMPL differential amplifier	HG mercury	MET FLM metal film
BPF bandpass filter	div division	HI high	MET OX metallic oxide
BRS brass	DPDT double-pole, double-throw	HP Hewlett-Packard	MF medium frequency; microfarad (used in parts list)
BWO backward-wave oscillator	DR drive	HPF high pass filter	MFR manufacturer
CAL calibrate	DSB double sideband	HR hour (used in parts list)	mg milligram
ccw counter-clockwise	DTL diode transistor logic	HV high voltage	MHz megahertz
CER ceramic	DVM digital voltmeter	Hz Hertz	mH millihenry
CHAN channel	ECL emitter coupled logic	IC integrated circuit	mho mho
cm centimeter	EMF electromotive force	ID inside diameter	min minute (time)
CMO cabinet mount only		IF intermediate frequency	...° minute (plane angle)
COAX coaxial		IMPG impregnated	MINAT miniature
		in incandescent	mm millimeter
		INCL include(s)	
		INP input	
		INS insulation	

NOTE

All abbreviations in the parts list will be in upper-case.

Table 6-2. Reference Designations and Abbreviations (2 of 2)

MOD modulator	OD outside diameter	PWV peak working voltage	TD time delay
MOM momentary	OH oval head	RC resistance-capacitance	TERM terminal
MOS metal-oxide semiconductor	OP AMPL operational amplifier	RECT rectifier	TFT thin-film transistor
ms millisecond	OPT option	REF reference	TGL toggle
MTG mounting	OSC oscillator	REG regulated	THD thread
MTR meter (indicating device)	OX oxide	REPL replaceable	THRU through
mV millivolt	oz ounce	RF radio frequency	TI titanium
mVac millivolt, ac	Ω ohm	RFI radio frequency interference	TOL tolerance
mVdc millivolt, dc	P peak (used in parts list)	RH round head; right hand	TRIM trimmer
mVpk millivolt, peak	PAM pulse-amplitude modulation	RLC resistance-inductance-capacitance	TSTR transistor
mVp-p millivolt, peak-to-peak	PC printed circuit	RMO rack mount only rms	TTL transistor-transistor logic
mVrms millivolt, rms	PCM pulse-code modulation; pulse-count modulation	RND root-mean-square	TV television
mW milliwatt	PDM pulse-duration modulation	ROM read-only memory	TVI television interference
MUX multiplex	pF picofarad	R&P rack and panel	TWT traveling wave tube
MY mylar	PH BRZ phosphor bronze	RWV reverse working voltage	U micro (10 ⁻⁶) (used in parts list)
μA microampere	PHL Phillips	S scattering parameter	UF microfarad (used in parts list)
μF microfarad	PIN positive-intrinsic-negative	s second (time)	UHF ultrahigh frequency
μH microhenry	PIV peak inverse voltage	...° second (plane angle)	UNDEF undefined
μmho micromho	pk peak	S-B slow-blow (fuse) (used in parts list)	UNREG unregulated
μs microsecond	PL phase lock	SCR silicon controlled rectifier; screw	V volt
μV microvolt	PLO phase lock oscillator	SE selenium	VA voltampere
μVac microvolt, ac	PM phase modulation	SECT sections	Vac volts, ac
μVdc microvolt, dc	PNP positive-negative-positive	SEMICON semiconductor	VAR variable
μVpk microvolt, peak	P/O part of	SHF superhigh frequency	VCO voltage-controlled oscillator
μVp-p microvolt, peak-to-peak	POLY polystyrene	SI silicon	Vdc volts, dc
μVrms microvolt, rms	PORC porcelain	SIL silver	VDCW volts, dc, working (used in parts list)
μW microwatt	POS positive; position(s) (used in parts list)	SL slide	V(F) volts, filtered
nA nanoampere	POSN position	SNR signal-to-noise ratio	VFO variable-frequency oscillator
NC no connection	POT potentiometer	SPDT single-pole, double-throw	VHF very-high frequency
N/C normally closed	p-p peak-to-peak	SPG spring	Vpk volts, peak
NE neon	PP peak-to-peak (used in parts list)	SR split ring	Vp-p volts, peak-to-peak
NEG negative	PPM pulse-position modulation	SPST single-pole, single-throw	Vrms volts, rms
nF nanofarad	PREAMPL preamplifier	SS Service Sheet	VSWR voltage standing wave ratio
NI PL nickel plate	PRF pulse-repetition frequency	SSB single sideband	VTO voltage-tune oscillator
N/O normally open	PRR pulse repetition rate	SST stainless steel	VTVM vacuum-tube voltmeter
NOM nominal	ps picosecond	STL steel	V(X) volts, switched
NORM normal	PT point	SQ square	W watt
NPN negative-positive-negative	PTM pulse-time modulation	SWR standing-wave ratio	W/ with
NPO negative-positive zero (zero temperature coefficient)	PWM pulse-width modulation	SYNC synchronize	WIV working inverse voltage
NRFR not recommended for field replacement		T timed (slow-blow fuse)	WW wirewound
NSR not separately replaceable		TA tantalum	W/O without
ns nanosecond		TC temperature compensating	YIG yttrium-iron-garnet
nW nanowatt			Z ₀ characteristic impedance
OBD order by description			

NOTE

All abbreviations in the parts list will be in upper-case.

MULTIPLIERS

Abbreviation	Prefix	Multiple
T	tera	10 ¹²
G	giga	10 ⁹
M	mega	10 ⁶
k	kilo	10 ³
da	deka	10
d	deci	10 ⁻¹
c	centi	10 ⁻²
m	milli	10 ⁻³
μ	micro	10 ⁻⁶
n	nano	10 ⁻⁹
p	pico	10 ⁻¹²
f	femto	10 ⁻¹⁵
a	atto	10 ⁻¹⁸

Table 6-3. Replaceable Parts

Reference Designation	HP Part Number	C D	Qty.	Description	Mfr. Code	Mfr. Part Number
A1A1						
A1A1	08663-60336	6	1	READOUT ASSEMBLY	28480	08663-60336
A1A1C1	0180-2620	6	47	CAPACITOR-FXD 2.2UF+-10% 50VDC TA	25088	D2R2GS1B50K
A1A1C2	0180-2620	6		CAPACITOR-FXD 2.2UF+-10% 50VDC TA	25088	D2R2GS1B50K
A1A1C3	0180-2620	6		CAPACITOR-FXD 2.2UF+-10% 50VDC TA	25088	D2R2GS1B50K
A1A1C4	0180-2620	6		CAPACITOR-FXD 2.2UF+-10% 50VDC TA	25088	D2R2GS1B50K
A1A1C5	0180-2620	6		CAPACITOR-FXD 2.2UF+-10% 50VDC TA	25088	D2R2GS1B50K
A1A1C6	0160-4819	7	1	CAPACITOR-FXD 2200PF +-5% 100VDC CER	28480	0160-4819
A1A1DS1	1990-0759	6	6	LED-LIGHT BAR MODULE LUM-INT=3MCD	28480	HLMP-2620
A1A1DS2	1990-0696	0	4	LED-LIGHT BAR MODULE LUM-INT=3MCD	28480	1LM1-2300
A1A1DS3	1990-0696	0		LED-LIGHT BAR MODULE LUM-INT=3MCD	28480	1LM1-2300
A1A1DS4	1990-0699	3	2	LED-LIGHT BAR MODULE LUM-INT=7MCD	28480	1LM1-2350
A1A1DS5	1990-0774	5	2	LED-LIGHT BAR MODULE LUM-INT=6.8MCD	28480	HLMP-2600(C,D,E)
A1A1DS6	1990-0759	6		LED-LIGHT BAR MODULE LUM-INT=3MCD	28480	HLMP-2620
A1A1DS7	1990-0759	6		LED-LIGHT BAR MODULE LUM-INT=3MCD	28480	HLMP-2620
A1A1DS8	1990-0759	6		LED-LIGHT BAR MODULE LUM-INT=3MCD	28480	HLMP-2620
A1A1DS9	1990-0699	3		LED-LIGHT BAR MODULE LUM-INT=7MCD	28480	1LM1-2350
A1A1DS10	1990-0759	6		LED-LIGHT BAR MODULE LUM-INT=3MCD	28480	HLMP-2620
A1A1DS11	1990-0696	0		LED-LIGHT BAR MODULE LUM-INT=3MCD	28480	1LM1-2300
A1A1DS12	1990-0759	6		LED-LIGHT BAR MODULE LUM-INT=3MCD	28480	HLMP-2620
A1A1DS13	1990-0774	5		LED-LIGHT BAR MODULE LUM-INT=6.8MCD	28480	HLMP-2600(C,D,E)
A1A1DS14	1990-0696	0		LED-LIGHT BAR MODULE LUM-INT=3MCD	28480	1LM1-2300
A1A1J1-5				NOT ASSIGNED		
<i>2234A TO 2601A</i>						
A1A1J6	1251-3024	8	1	CONNECTOR 26-PIN M RECTANGULAR	28480	1251-3024
<i>2602A AND ABOVE</i>						
A1A1J6	1251-8347	8	1	CONNECTOR POST TYPE .100-PIN-SPCG 26-CONT	28480	1251-8347
A1A1J6	1251-5595	2	1	POLARIZING KEY POST CONN	28480	1251-5595
A1A1MP1	2110-0726	4	1	FUSEHOLDER-CLIP TYPE.26D-FUSE	28480	2110-0726
A1A1MP2	08672-20056	2	7	PAD-L.E.D.	28480	08672-20056
A1A1MP3	08672-20056	2		PAD-L.E.D.	28480	08672-20056
A1A1MP4	08672-20056	2		PAD-L.E.D.	28480	08672-20056
A1A1MP5	08672-20056	2		PAD-L.E.D.	28480	08672-20056
A1A1MP6	08672-20056	2		PAD-L.E.D.	28480	08672-20056
A1A1MP7	08672-20056	2		PAD-L.E.D.	28480	08672-20056
A1A1MP8	08662-20038	8	1	PAD-L.E.D. SINGLE	28480	08662-20038
A1A1MP9	08672-20056	2		PAD-L.E.D.	28480	08672-20056
A1A1MP9	08672-20057	3	8	HEAT SINK-L.E.D.	28480	08672-20057
A1A1MP9	2200-0109	8	8	SCREW-MACH 4-40 .438-IN-LG PAN-HD-POZI	00000	ORDER BY DESCRIPTION
A1A1MP10	08672-20057	3		HEAT SINK-L.E.D.	28480	08672-20057
A1A1MP10	2200-0109	8		SCREW-MACH 4-40 .438-IN-LG PAN-HD-POZI	00000	ORDER BY DESCRIPTION
A1A1MP11	08672-20057	3		HEAT SINK-L.E.D.	28480	08672-20057
A1A1MP11	2200-0109	8		SCREW-MACH 4-40 .438-IN-LG PAN-HD-POZI	00000	ORDER BY DESCRIPTION
A1A1MP12	08672-20057	3		HEAT SINK-L.E.D.	28480	08672-20057
A1A1MP12	2200-0109	8		SCREW-MACH 4-40 .438-IN-LG PAN-HD-POZI	00000	ORDER BY DESCRIPTION
A1A1MP13	08672-20057	3		HEAT SINK-L.E.D.	28480	08672-20057
A1A1MP13	2200-0109	8		SCREW-MACH 4-40 .438-IN-LG PAN-HD-POZI	00000	ORDER BY DESCRIPTION
A1A1MP14	08672-20057	3		HEAT SINK-L.E.D.	28480	08672-20057
A1A1MP14	2200-0109	8		SCREW-MACH 4-40 .438-IN-LG PAN-HD-POZI	00000	ORDER BY DESCRIPTION
A1A1MP15	08672-20057	3		HEAT SINK-L.E.D.	28480	08672-20057
A1A1MP15	2200-0109	8		SCREW-MACH 4-40 .438-IN-LG PAN-HD-POZI	00000	ORDER BY DESCRIPTION

†Refer to Section 7 for update information.

*Factory Selected Component (Refer to Section 5).

Table 6-3. Replaceable Parts

Reference Designation	HP Part Number	C D	Qty.	Description	Mfr. Code	Mfr. Part Number
A1A1MP16	08672-20057 2200-0109	3 9		HEAT SINK-L.E.D. SCREW-MACH 4-40 .438-IN-LG PAN-HD-POZI	28480 00000	06672-20057 ORDER BY DESCRIPTION
A1A1R1	1810-0392	3	5	NETWORK-RES 8-SIP68.0 OHM X 7	11236	750-81-R68
A1A1R2	1810-0392	3		NETWORK-RES 8-SIP68.0 OHM X 7	11236	750-81-R68
A1A1R3	0698-3438	3	4	RESISTOR 147 1% .125W F TC=0+-100	24546	C4-1/8-T0-147R-F
A1A1R4	0757-0421	4	5	RESISTOR 825 1% .125W F TC=0+-100	24546	C4-1/8-T0-825R-F
A1A1R5	0698-3438	3		RESISTOR 147 1% .125W F TC=0+-100	24546	C4-1/8-T0-147R-F
A1A1R6	0698-3437	2	1	RESISTOR 133 1% .125W F TC=0+-100	24546	C4-1/8-T0-133R-F
A1A1R7	1810-0392	3		NETWORK-RES 8-SIP68.0 OHM X 7	11236	750-81-R68
A1A1R8	1810-0392	3		NETWORK-RES 8-SIP68.0 OHM X 7	11236	750-81-R68
A1A1R9	1810-0392	3		NETWORK-RES 8-SIP68.0 OHM X 7	11236	750-81-R68
A1A1R10	0757-0397	3	3	RESISTOR 88.1 1% .125W F TC=0+-100	24546	C4-1/8-T0-88R1-F
A1A1R11	0757-0397	3		RESISTOR 88.1 1% .125W F TC=0+-100	24546	C4-1/8-T0-88R1-F
A1A1U1	1990-0330	9	20	DISPLAY-NUM-DOT MAT 1-CHAR .29-H	28480	5082-7302
A1A1U2	1990-0330	9		DISPLAY-NUM-DOT MAT 1-CHAR .29-H	28480	5082-7302
A1A1U3	1990-0330	9		DISPLAY-NUM-DOT MAT 1-CHAR .29-H	28480	5082-7302
A1A1U4	1990-0330	9		DISPLAY-NUM-DOT MAT 1-CHAR .29-H	28480	5082-7302
A1A1U5	1990-0330	9		DISPLAY-NUM-DOT MAT 1-CHAR .29-H	28480	5082-7302
A1A1U6	1990-0330	9		DISPLAY-NUM-DOT MAT 1-CHAR .29-H	28480	5082-7302
A1A1U7	1990-0330	9		DISPLAY-NUM-DOT MAT 1-CHAR .29-H	28480	5082-7302
A1A1U8	1990-0330	9		DISPLAY-NUM-DOT MAT 1-CHAR .29-H	28480	5082-7302
A1A1U9	1990-0330	9		DISPLAY-NUM-DOT MAT 1-CHAR .29-H	28480	5082-7302
A1A1U10	1990-0330	9		DISPLAY-NUM-DOT MAT 1-CHAR .29-H	28480	5082-7302
A1A1U11	1990-0330	9		DISPLAY-NUM-DOT MAT 1-CHAR .29-H	28480	5082-7302
A1A1U12	1820-1216	3	18	IC DCDR TTL LS 3-TO-8-LINE 3-INP	01295	SN74LS138N
A1A1U13	1990-0330	9		DISPLAY-NUM-DOT MAT 1-CHAR .29-H	28480	5082-7302
A1A1U14	1990-0330	9		DISPLAY-NUM-DOT MAT 1-CHAR .29-H	28480	5082-7302
A1A1U15	1990-0330	9		DISPLAY-NUM-DOT MAT 1-CHAR .29-H	28480	5082-7302
A1A1U16	1990-0330	9		DISPLAY-NUM-DOT MAT 1-CHAR .29-H	28480	5082-7302
A1A1U17	1990-0330	9		DISPLAY-NUM-DOT MAT 1-CHAR .29-H	28480	5082-7302
A1A1U18	1990-0330	9		DISPLAY-NUM-DOT MAT 1-CHAR .29-H	28480	5082-7302
A1A1U19	1820-1997	7	6	IC FF TTL LS D-TYPE POS-EDGE-TRIG PRL-IN	01295	SN74LS374N
A1A1U20	1990-0399	0	1	DISPLAY-AN-DOT MAT 1-CHAR .135-H	28480	5082-7304
A1A1U21	1990-0330	9		DISPLAY-NUM-DOT MAT 1-CHAR .29-H	28480	5082-7302
A1A1U22	1990-0330	9		DISPLAY-NUM-DOT MAT 1-CHAR .29-H	28480	5082-7302
A1A1U23	1990-0330	9		DISPLAY-NUM-DOT MAT 1-CHAR .29-H	28480	5082-7302
A1A1U24	1820-1997	7		IC FF TTL LS D-TYPE POS-EDGE-TRIG PRL-IN	01295	SN74LS374N
A1A1U25	1820-1997	7		IC FF TTL LS D-TYPE POS-EDGE-TRIG PRL-IN	01295	SN74LS374N
A1A1U26	1820-1216	3		IC DCDR TTL LS 3-TO-8-LINE 3-INP	01295	SN74LS138N
A1A1U27	1820-1216	3		IC DCDR TTL LS 3-TO-8-LINE 3-INP	01295	SN74LS138N
A1A1U28	1820-1216	3		IC DCDR TTL LS 3-TO-8-LINE 3-INP	01295	SN74LS138N
A1A1U29	1820-1997	7		IC FF TTL LS D-TYPE POS-EDGE-TRIG PRL-IN	01295	SN74LS374N
A1A1U30	1820-1997	7		IC FF TTL LS D-TYPE POS-EDGE-TRIG PRL-IN	01295	SN74LS374N
A1A1U31	1820-2102	8	5	IC LCH TTL LS D-TYPE OCTL	01295	SN74LS373N
A1A1X1	1200-0688	7	8	SOCKET-STRP 11-CONT DIP-SLDR	28480	1200-0688
A1A1X2	1200-0688	7		SOCKET-STRP 11-CONT DIP-SLDR	28480	1200-0688
A1A1X3	1200-0688	7		SOCKET-STRP 11-CONT DIP-SLDR	28480	1200-0688
A1A1X4	1200-0688	7		SOCKET-STRP 11-CONT DIP-SLDR	28480	1200-0688
A1A1X5	1200-0507	9	9	SOCKET-IC 16-CONT DIP-SLDR	28480	1200-0507

† Refer to Section 7 for update information.

* Factory Selected Component (Refer to Section 5.)

Table 4-3. Replaceable Parts

A1A1X6	1200-0507	9		SOCKET-IC 16-CONT DIP-SLDR	28480	1200-0507
A1A1X7	1200-0507	9		SOCKET-IC 16-CONT DIP-SLDR	28480	1200-0507
A1A1X8	1200-0887	6	4	SOCKET-STRP 12-CONT DIP-SLDR	28480	1200-0887
A1A1X9	1200-0887	6		SOCKET-STRP 12-CONT DIP-SLDR	28480	1200-0887
A1A1X10	1200-0507	9		SOCKET-IC 16-CONT DIP-SLDR	28480	1200-0507
A1A1X11	1200-0507	9		SOCKET-IC 16-CONT DIP-SLDR	28480	1200-0507
A1A1X12	1200-0822	1	2	SOCKET-STRP 16-CONT DIP-SLDR	28480	1200-0822
A1A1X13	1200-0507	9		SOCKET-IC 16-CONT DIP-SLDR	28480	1200-0507
A1A1X14	1200-0564	8	2	SOCKET-IC 8-CONT DIP-SLDR	28480	1200-0564
A1A1X15	1200-0888	7		SOCKET-STRP 11-CONT DIP-SLDR	28480	1200-0888
A1A1X16	1200-0888	7		SOCKET-STRP 11-CONT DIP-SLDR	28480	1200-0888
A1A1X17	1200-0888	7		SOCKET-STRP 11-CONT DIP-SLDR	28480	1200-0888
A1A1X18	1200-0888	7		SOCKET-STRP 11-CONT DIP-SLDR	28480	1200-0888
A1A1X19	1200-0933	5	2	SOCKET-STRP 12-CONT DIP-SLDR	28480	1200-0933
A1A1X20	1200-0687	6		SOCKET-STRP 12-CONT DIP-SLDR	28480	1200-0687
A1A1X21	1200-0564	8		SOCKET-IC 8-CONT DIP-SLDR	28480	1200-0564
A1A1X22	1200-0687	6		SOCKET-STRP 12-CONT DIP-SLDR	28480	1200-0687
A1A1X23	1200-0822	1		SOCKET-STRP 16-CONT DIP-SLDR	28480	1200-0822
A1A1X24	1200-0933	5		SOCKET-STRP 12-CONT DIP-SLDR	28480	1200-0933
A1A1X25 ^A	1200-0901	4	1	SOCKET-STRP 8-CONT DIP-SLDR	02184	SBF-08B-100-G

Table 6-3. Replaceable Parts

Reference Designation	HP Part Number	C D	Qty.	Description	Mfr. Code	Mfr. Part Number
A1A2						
A1A2	08662-60168	9	1	LEFT KEYBOARD	28480	08662-60168
A1A2DS1	1990-0665	3	21	LED-LAMP LUM-INT=1MCD IF=20MA-MAX BVR=5V	28480	1990-0665
A1A2DS2	1990-0665	3		LED-LAMP LUM-INT=1MCD IF=20MA-MAX BVR=5V	28480	1990-0665
A1A2DS3	1990-0665	3		LED-LAMP LUM-INT=1MCD IF=20MA-MAX BVR=5V	28480	1990-0665
A1A2DS4	1990-0665	3		LED-LAMP LUM-INT=1MCD IF=20MA-MAX BVR=5V	28480	1990-0665
A1A2DS5	1990-0665	3		LED-LAMP LUM-INT=1MCD IF=20MA-MAX BVR=5V	28480	1990-0665
A1A2DS6	1990-0665	3	2	LED-LAMP LUM-INT=1MCD IF=20MA-MAX BVR=5V	28480	1990-0665
A1A2DS7	1990-0665	3		LED-LAMP LUM-INT=1MCD IF=20MA-MAX BVR=5V	28480	1990-0665
A1A2DS8	1990-0665	3		LED-LAMP LUM-INT=1MCD IF=20MA-MAX BVR=5V	28480	1990-0665
A1A2DS9	1990-0719	6		LED-LAMP LUM-INT=1MCD IF=20MA-MAX BVR=5V	28480	HLMP-1301
A1A2DS10	1990-0665	3		LED-LAMP LUM-INT=1MCD IF=20MA-MAX BVR=5V	28480	1990-0665
A1A2DS11	1990-0665	3		LED-LAMP LUM-INT=1MCD IF=20MA-MAX BVR=5V	28480	1990-0665
A1A2DS12	1990-0665	3		LED-LAMP LUM-INT=1MCD IF=20MA-MAX BVR=5V	28480	1990-0665
A1A2DS13	1990-0665	3		LED-LAMP LUM-INT=1MCD IF=20MA-MAX BVR=5V	28480	1990-0665
A1A2DS14	1990-0665	3		LED-LAMP LUM-INT=1MCD IF=20MA-MAX BVR=5V	28480	1990-0665
A1A2DS15	1990-0665	3		LED-LAMP LUM-INT=1MCD IF=20MA-MAX BVR=5V	28480	1990-0665
A1A2DS16	1990-0665	3	9	LED-LAMP LUM-INT=1MCD IF=20MA-MAX BVR=5V	28480	1990-0665
A1A2DS17	1990-0665	3		LED-LAMP LUM-INT=1MCD IF=20MA-MAX BVR=5V	28480	1990-0665
A1A2DS18	1990-0719	6		LED-LAMP LUM-INT=1MCD IF=20MA-MAX BVR=5V	28480	HLMP-1301
A1A2DS19	1990-0665	3		LED-LAMP LUM-INT=1MCD IF=20MA-MAX BVR=5V	28480	1990-0665
A1A2DS20	1990-0665	3		LED-LAMP LUM-INT=1MCD IF=20MA-MAX BVR=5V	28480	1990-0665
<i>223A TO 2601A</i>						
A1A2JJ	1251-5315	4		CONNECTOR 40-PIN POST SERIES	28480	1251-5315
<i>2602A AND ABOVE</i>						
A1A2JJ	1251-8829	0	1	CONNECTOR 40 POSITION	28480	1251-8829
	1251-5595	2	1	POLARIZING KEY POST CONN	28480	1251-5595
A1A2MP1	0390-0765	0	1	STANDOFF,RVT-ON .25-IN-LG 6-32THD	00000	ORDER BY DESCRIPTION
A1A2MP2	08662-00143	4	1	PLATE, CLAMP	28480	08662-00143
A1A2R1	0698-3132	4	29	RESISTOR 261 1% .125W F TC=0+-100	24546	C4-1/8-T0-2610-F
A1A2R2	0698-3132	4		RESISTOR 261 1% .125W F TC=0+-100	24546	C4-1/8-T0-2610-F
A1A2R3	0698-3132	4		RESISTOR 261 1% .125W F TC=0+-100	24546	C4-1/8-T0-2610-F
A1A2R4	0698-3132	4		RESISTOR 261 1% .125W F TC=0+-100	24546	C4-1/8-T0-2610-F
A1A2R5	0698-3132	4		RESISTOR 261 1% .125W F TC=0+-100	24546	C4-1/8-T0-2610-F
A1A2R6	0698-3132	4		RESISTOR 261 1% .125W F TC=0+-100	24546	C4-1/8-T0-2610-F
A1A2R7	0698-3132	4		RESISTOR 261 1% .125W F TC=0+-100	24546	C4-1/8-T0-2610-F
A1A2R8	0698-3132	4		RESISTOR 261 1% .125W F TC=0+-100	24546	C4-1/8-T0-2610-F
A1A2R9	0698-3132	4		RESISTOR 261 1% .125W F TC=0+-100	24546	C4-1/8-T0-2610-F
A1A2R10	0698-3132	4		RESISTOR 261 1% .125W F TC=0+-100	24546	C4-1/8-T0-2610-F
A1A2R11	0698-3132	4		RESISTOR 261 1% .125W F TC=0+-100	24546	C4-1/8-T0-2610-F
A1A2R12	0698-3132	4		RESISTOR 261 1% .125W F TC=0+-100	24546	C4-1/8-T0-2610-F
A1A2R13	0698-3132	4		RESISTOR 261 1% .125W F TC=0+-100	24546	C4-1/8-T0-2610-F
A1A2R14	0698-3132	4		RESISTOR 261 1% .125W F TC=0+-100	24546	C4-1/8-T0-2610-F
A1A2R15	0698-3132	4		RESISTOR 261 1% .125W F TC=0+-100	24546	C4-1/8-T0-2610-F
A1A2R16	0698-3132	4		RESISTOR 261 1% .125W F TC=0+-100	24546	C4-1/8-T0-2610-F
A1A2R17	0698-3132	4		RESISTOR 261 1% .125W F TC=0+-100	24546	C4-1/8-T0-2610-F
A1A2R18	0698-3132	4		RESISTOR 261 1% .125W F TC=0+-100	24546	C4-1/8-T0-2610-F
A1A2R19	0698-3132	4		RESISTOR 261 1% .125W F TC=0+-100	24546	C4-1/8-T0-2610-F
A1A2R20	0698-3132	4		RESISTOR 261 1% .125W F TC=0+-100	24546	C4-1/8-T0-2610-F

† Refer to Section 7 for update information.

* Factory Selected Component (Refer to Section 5.)

Table 6-3. Replaceable Parts

Reference Designation	HP Part Number	C D	Qty.	Description	Mfr. Code	Mfr. Part Number
A1A2S1	5060-9436	7	63	PUSHBUTTON SWITCH P.C. MOUNT	28480	5060-9436
	5041-1609	0	1	KEY CAP, "OFF(ALL OFF)"	28480	5041-1609
A1A2S2	5060-9436	7		PUSHBUTTON SWITCH P.C. MOUNT	28480	5060-9436
	5041-0285	6	1B	KEY CAP, QUARTER "MARKER 5"	28480	5041-0285
A1A2S3	5060-9436	7		PUSHBUTTON SWITCH P.C. MOUNT	28480	5060-9436
	5041-0285	6		KEY CAP, QUARTER "MARKER 4"	28480	5041-0285
A1A2S4	5060-9436	7		PUSHBUTTON SWITCH P.C. MOUNT	28480	5060-9436
	5041-0285	6		KEY CAP, QUARTER "MARKER 3"	28480	5041-0285
A1A2S5	5060-9436	7		PUSHBUTTON SWITCH P.C. MOUNT	28480	5060-9436
	5041-0285	6		KEY CAP, QUARTER "MARKER 2"	28480	5041-0285
A1A2S6	5060-9436	7		PUSHBUTTON SWITCH P.C. MOUNT	28480	5060-9436
	5041-0285	6		KEY CAP, QUARTER "MARKER 1"	28480	5041-0285
A1A2S7	5060-9436	7		PUSHBUTTON SWITCH P.C. MOUNT	28480	5060-9436
	5041-1613	6	1	KEY CAP, FULL "STOP FREQ."	28480	5041-1613
A1A2S8	5060-9436	7		PUSHBUTTON SWITCH P.C. MOUNT	28480	5060-9436
	5041-1612	5	1	KEY CAP, FULL "START FREQ."	28480	5041-1612
A1A2S9	5060-9436	7		PUSHBUTTON SWITCH P.C. MOUNT	28480	5060-9436
	5041-0285	6		KEY CAP, QUARTER "10 MS"	28480	5041-0285
A1A2S10	5060-9436	7		PUSHBUTTON SWITCH P.C. MOUNT	28480	5060-9436
	5041-0285	6		KEY CAP, QUARTER "2 MS"	28480	5041-0285
A1A2S11	5060-9436	7		PUSHBUTTON SWITCH P.C. MOUNT	28480	5060-9436
	5041-0285	6		KEY CAP, QUARTER "1 MS"	28480	5041-0285
A1A2S12	5060-9436	7		PUSHBUTTON SWITCH P.C. MOUNT	28480	5060-9436
	5041-0285	6		KEY CAP, QUARTER "0.5 MS"	28480	5041-0285
A1A2S13	5060-9436	7		PUSHBUTTON SWITCH P.C. MOUNT	28480	5060-9436
	5041-0286	7	3	KEY CAP, HALF "SINGLE"	28480	5041-0286
A1A2S14	5060-9436	7		PUSHBUTTON SWITCH P.C. MOUNT	28480	5060-9436
	5041-0286	7		KEY CAP, HALF "MANUAL"	28480	5041-0286
A1A2S15	5060-9436	7		PUSHBUTTON SWITCH P.C. MOUNT	28480	5060-9436
	5041-0286	7		KEY CAP, HALF "AUTO"	28480	5041-0286
A1A2S16	5060-9436	7		PUSHBUTTON SWITCH P.C. MOUNT	28480	5060-9436
	5041-0276	5	1	KEY CAP, QUARTER "OFF"	28480	5041-0276
A1A2S17	5060-9436	7		PUSHBUTTON SWITCH P.C. MOUNT	28480	5060-9436
	5041-1636	5	1	KEY CAP, FULL "SPAN FREQ."	28480	5041-1636
A1A2S18	5060-9436	7		PUSHBUTTON SWITCH P.C. MOUNT	28480	5060-9436
	5041-0285	6		KEY CAP, QUARTER "LOG 1%"	28480	5041-0285
A1A2S19	5060-9436	7		PUSHBUTTON SWITCH P.C. MOUNT	28480	5060-9436
	5041-0285	6		KEY CAP, QUARTER "LOG 10%"	28480	5041-0285
A1A2S20	5060-9436	7		PUSHBUTTON SWITCH P.C. MOUNT	28480	5060-9436
	5041-0285	6		KEY CAP, QUARTER "SET SIZE"	28480	5041-0285
A1A2S21	5060-9436	7		PUSHBUTTON SWITCH P.C. MOUNT	28480	5060-9436
	5041-0285	6		KEY CAP, QUARTER "LIN 1000"	28480	5041-0285
A1A2S22	5060-9436	7		PUSHBUTTON SWITCH P.C. MOUNT	28480	5060-9436
	5041-0285	6		KEY CAP, QUARTER "LIN 1000"	28480	5041-0285
A1A2S23	5060-9436	7		PUSHBUTTON SWITCH P.C. MOUNT	28480	5060-9436
	5041-0285	6		KEY CAP, QUARTER "100 MS"	28480	5041-0285

† Refer to Section 7 for update information.

* Factory Selected Component (Refer to Section 5.)

Table 6-3. Replaceable Parts

Reference Designation	HP Part Number	C D	Qty.	Description	Mfr. Code	Mfr. Part Number
A1A3						
A1A3	08663-60339	7	1	MAIN KEYBOARD ASSEMBLY	28480	08663-60339
A1A3C1	0180-2820	6		CAPACITOR-FXD 2.2UF+-10% 50VDC TA	25088	D2R2G91B60K
A1A3DS1	1990-0486	6	5	LED-LAMP LUM-INT=1MCD IF=20MA-MAX BVR=5V	28480	5082-4684
A1A3DS2	1990-0486	6		LED-LAMP LUM-INT=1MCD IF=20MA-MAX BVR=5V	28480	5082-4684
A1A3DS3	1990-0486	6		LED-LAMP LUM-INT=1MCD IF=20MA-MAX BVR=5V	28480	5082-4684
A1A3DS4	1990-0486	6		LED-LAMP LUM-INT=1MCD IF=20MA-MAX BVR=5V	28480	5082-4684
A1A3DS5	1990-0665	3		LED-LAMP LUM-INT=1MCD IF=20MA-MAX BVR=5V	28480	1990-0665
A1A3DS6	1990-0486	6		LED-LAMP LUM-INT=1MCD IF=20MA-MAX BVR=5V	28480	5082-4684
A1A3DS7	1990-0665	3		LED-LAMP LUM-INT=1MCD IF=20MA-MAX BVR=5V	28480	1990-0665
A1A3DS8	1990-0665	3		LED-LAMP LUM-INT=1MCD IF=20MA-MAX BVR=5V	28480	1990-0665
<i>2214A TO 2601A</i>						
A1A3J1	1251-5315	4		CONNECTOR 40-PIN POST SERIES	28480	1251-5315
<i>2602A AND ABOVE</i>						
A1A3J1	1251-8928	0	1	CONNECTOR 40 POSITION	28480	1251-8928
	1251-5595	2	1	POLARIZING KEY POST CONN	28480	1251-5595
A1A3J2	1251-4989	6	1	CONNECTOR 5-PIN M POST TYPE	28480	1251-4989
A1A3R1	0698-3132	4		RESISTOR 261 1% .125W F TC=0+-100	24546	C4-1/8-T0-2610-F
A1A3R2	0698-3132	4		RESISTOR 261 1% .125W F TC=0+-100	24546	C4-1/8-T0-2610-F
A1A3R3	0698-3132	4		RESISTOR 261 1% .125W F TC=0+-100	24546	C4-1/8-T0-2610-F
A1A3R4	0698-3132	4		RESISTOR 261 1% .125W F TC=0+-100	24546	C4-1/8-T0-2610-F
A1A3R5	0698-3132	4		RESISTOR 261 1% .125W F TC=0+-100	24546	C4-1/8-T0-2610-F
A1A3R6	0698-3132	4		RESISTOR 261 1% .125W F TC=0+-100	24546	C4-1/8-T0-2610-F
A1A3R7	0698-3132	4		RESISTOR 261 1% .125W F TC=0+-100	24546	C4-1/8-T0-2610-F
A1A3R8	0698-3132	4		RESISTOR 261 1% .125W F TC=0+-100	24546	C4-1/8-T0-2610-F
A1A3S1	5060-9436	7		PUSHBUTTON SWITCH P.C. MOUNT	28480	5060-9436
	5041-0441	8	1	KEY QUARTER "BLUE"	28480	5041-0441
A1A3S2	5060-9436	7		PUSHBUTTON SWITCH P.C. MOUNT	28480	5060-9436
	5041-0309	5	5	KEY QUARTER GY	28480	5041-0309
A1A3S3	5060-9436	7		PUSHBUTTON SWITCH P.C. MOUNT	28480	5060-9436
	5041-0309	5		KEY QUARTER GY	28480	5041-0309
A1A3S4	5060-9436	7		PUSHBUTTON SWITCH P.C. MOUNT	28480	5060-9436
	5041-0295	6		KEY QTR GR LIT	28480	5041-0295
A1A3S5	5060-9436	7		PUSHBUTTON SWITCH P.C. MOUNT	28480	5060-9436
	5041-0295	6		KEY QTR GR LIT	28480	5041-0295
A1A3S6	5060-9436	7		PUSHBUTTON SWITCH P.C. MOUNT	28480	5060-9436
	5041-0309	5		KEY QUARTER GY	28480	5041-0309
A1A3S7	5060-9436	7		PUSHBUTTON SWITCH P.C. MOUNT	28480	5060-9436
	5041-1628	3	1	KEY FULL BK "AM"	28480	5041-1628
A1A3S8	5060-9436	7		PUSHBUTTON SWITCH P.C. MOUNT	28480	5060-9436
	5041-1947	9	1	KEY FULL "MOD FREQ"	28480	5041-1947
A1A3S9	5060-9436	7		PUSHBUTTON SWITCH P.C. MOUNT	28480	5060-9436
	5041-0309	5		KEY QUARTER GY	28480	5041-0309
A1A3S10	5060-9436	7		PUSHBUTTON SWITCH P.C. MOUNT	28480	5060-9436
	5041-1630	7	1	KEY F DBL "FREQUENCY"	28480	5041-1630
A1A3S11	5060-9436	7		PUSHBUTTON SWITCH P.C. MOUNT	28480	5060-9436
	5041-1946	8	1	KEY FULL "PH M"	28480	5041-1946
A1A3S12	5060-9436	7		PUSHBUTTON SWITCH P.C. MOUNT	28480	5060-9436
	5041-1629	4	1	KEY F DBL "AMPLITUDE"	28480	5041-1629

† Refer to Section 7 for update information.

* Factory Selected Component (Refer to Section 5.)

Table 6-3. Replaceable Parts

Reference Designation	HP Part Number	C D	Qty.	Description	Mfr. Code	Mfr. Part Number
A1A3S13	5060-9436	7		PUSHBUTTON SWITCH P.C. MOUNT	28480	5060-9436
	5041-1627	2	1	KEY FULL BK "FM"	28480	5041-1627
A1A3S14	5060-9436	7		PUSHBUTTON SWITCH P.C. MOUNT	28480	5060-9436
	5041-1945	7	1	KEY HALF "FCTN OFF"	28480	5041-1945
A1A3S15	5060-9436	7		PUSHBUTTON SWITCH P.C. MOUNT	28480	5060-9436
	5041-0285	6		KEY QTR GR LIT	28480	5041-0285
A1A3S16	5060-9436	7		PUSHBUTTON SWITCH P.C. MOUNT	28480	5060-9436
	5041-1949	1	1	KEY SD FULL "INCREMENT SET"	28480	5041-1949
A1A3S17	5060-9436	7		PUSHBUTTON SWITCH P.C. MOUNT	28480	5060-9436
	5041-1610	3	1	KEY HALF "STORE"	28480	5041-1610
A1A3S18	5060-9436	7		PUSHBUTTON SWITCH P.C. MOUNT	28480	5060-9436
	5041-1620	5	1	KEY FULL DK GY "7"	28480	5041-1620
A1A3S19	5060-9436	7		PUSHBUTTON SWITCH P.C. MOUNT	28480	5060-9436
	5041-1617	0	1	KEY FULL DK GY "4"	28480	5041-1617
A1A3S20	5060-9436	7		PUSHBUTTON SWITCH P.C. MOUNT	28480	5060-9436
	5041-1614	7	1	KEY FULL DK GY "1"	28480	5041-1614
A1A3S21	5060-9436	7		PUSHBUTTON SWITCH P.C. MOUNT	28480	5060-9436
	5041-1623	8	1	KEY FULL DK GY "0"	28480	5041-1623
A1A3S22	5060-9436	7		PUSHBUTTON SWITCH P.C. MOUNT	28480	5060-9436
	5041-1611	4	1	KEY HALF "RECALL"	28480	5041-1611
A1A3S23	5060-9436	7		PUSHBUTTON SWITCH P.C. MOUNT	28480	5060-9436
	5041-1621	6	1	KEY FULL GY "8"	28480	5041-1621
A1A3S24	5060-9436	7		PUSHBUTTON SWITCH P.C. MOUNT	28480	5060-9436
	5041-1618	1	1	KEY FULL DK GY "5"	28480	5041-1618
A1A3S25	5060-9436	7		PUSHBUTTON SWITCH P.C. MOUNT	28480	5060-9436
	5041-1615	8	1	KEY FULL DK GY "2"	28480	5041-1615
A1A3S26	5060-9436	7		PUSHBUTTON SWITCH P.C. MOUNT	28480	5060-9436
	5041-1624	9	1	KEY F GY W "DOT"	28480	5041-1624
A1A3S27	5060-9436	7		PUSHBUTTON SWITCH P.C. MOUNT	28480	5060-9436
	5041-1639	6	1	KEY HALF "SEQ" GY	28480	5041-1639
A1A3S28	5060-9436	7		PUSHBUTTON SWITCH P.C. MOUNT	28480	5060-9436
	5041-1622	7	1	KEY FULL DK GY "9"	28480	5041-1622
A1A3S29	5060-9436	7		PUSHBUTTON SWITCH P.C. MOUNT	28480	5060-9436
	5041-1619	2	1	KEY FULL DK GY "6"	28480	5041-1619
A1A3S30	5060-9436	7		PUSHBUTTON SWITCH P.C. MOUNT	28480	5060-9436
	5041-1616	9	1	KEY FULL DK GY "3"	28480	5041-1616
A1A3S31	5060-9436	7		PUSHBUTTON SWITCH P.C. MOUNT	28480	5060-9436
	5041-1625	0	1	KEY F "BACK SPACE"	28480	5041-1625
A1A3S32	5060-9436	7		PUSHBUTTON SWITCH P.C. MOUNT	28480	5060-9436
	5041-1632	9	1	KEY HALF "GHZ" GY	28480	5041-1632
A1A3S33	5060-9436	7		PUSHBUTTON SWITCH P.C. MOUNT	28480	5060-9436
	5041-1633	0	1	KEY HALF "MHZ" GY	28480	5041-1633
A1A3S34	5060-9436	7		PUSHBUTTON SWITCH P.C. MOUNT	28480	5060-9436
	5041-1634	1	1	KEY HALF "KHZ" GY	28480	5041-1634
A1A3S35	5060-9436	7		PUSHBUTTON SWITCH P.C. MOUNT	28480	5060-9436
	5041-1635	2	1	KEY HALF "HZ"	28480	5041-1635
A1A3S36	5060-9436	7		PUSHBUTTON SWITCH P.C. MOUNT	28480	5060-9436
	5041-1948	0	2	KEY S D FULL "INCR UP"	28480	5041-1948
A1A3S37	5060-9436	7		PUSHBUTTON SWITCH P.C. MOUNT	28480	5060-9436
	5041-1640	9	1	KEY HALF "X10" GY	28480	5041-1640
A1A3S38	5060-9436	7		PUSHBUTTON SWITCH P.C. MOUNT	28480	5060-9436
	5041-1948	0		KEY S D FULL "INCR DOWN"	28480	5041-1948
A1A3S39	5060-9436	7		PUSHBUTTON SWITCH P.C. MOUNT	28480	5060-9436
	5041-1641	0	1	KEY HALF DIV GY	28480	5041-1641
A1A3S40	5060-9436	7		PUSHBUTTON SWITCH P.C. MOUNT	28480	5060-9436
	5041-0309	5		KEY QUARTER GY	28480	5041-0309

† Refer to Section 7 for update information.

* Factory Selected Component (Refer to Section 5.)

Table 6-3. Replaceable Parts

Reference Designation	HP Part Number	C	D	Qty.	Description	Mfr. Code	Mfr. Part Number
A2A1							
A2A1	08663-60336	4		1	KEYCODE ASSY	28480	08663-60336
A2A1C1	0180-2820	6			CAPACITOR-FXD 2.2UF+10% 50VDC TA	25088	D2R2GS1B50K
A2A1C2	0160-3877	5		11	CAPACITOR-FXD 100PF +20% 200VDC CER	28480	0160-3877
A2A1C3	0180-2820	6			CAPACITOR-FXD 2.2UF+10% 50VDC TA	25088	D2R2GS1B50K
A2A1C4	0160-3877	5			CAPACITOR-FXD 100PF +20% 200VDC CER	28480	0160-3877
A2A1C5	0180-2820	6			CAPACITOR-FXD 2.2UF+10% 50VDC TA	25088	D2R2GS1B50K
A2A1C6	0180-2820	6			CAPACITOR-FXD 2.2UF+10% 50VDC TA	25088	D2R2GS1B50K
A2A1C7	0180-2820	6			CAPACITOR-FXD 2.2UF+10% 50VDC TA	25088	D2R2GS1B50K
A2A1C8	0180-2820	6			CAPACITOR-FXD 2.2UF+10% 50VDC TA	25088	D2R2GS1B50K
A2A1C9	0180-0291	3		1	CAPACITOR-FXD 1UF+10% 35VDC TA	58289	150D105X9035A2
A2A1C10	0160-3877	5			CAPACITOR-FXD 100PF +20% 200VDC CER	28480	0160-3877
A2A1C11	0160-3877	5			CAPACITOR-FXD 100PF +20% 200VDC CER	28480	0160-3877
A2A1C12	0180-0197	8		6	CAPACITOR-FXD 2.2UF+10% 20VDC TA	58289	150D225X9020A2
A2A1DS1	1990-0487	7		7	LED-LAMP LUM-INT=1MCD IF=20MA-MAX BVR=5V	28480	5082-4584
A2A1DS2	1990-0487	7			LED-LAMP LUM-INT=1MCD IF=20MA-MAX BVR=5V	28480	5082-4584
A2A1DS3	1990-0487	7			LED-LAMP LUM-INT=1MCD IF=20MA-MAX BVR=5V	28480	5082-4584
A2A1DS4	1990-0487	7			LED-LAMP LUM-INT=1MCD IF=20MA-MAX BVR=5V	28480	5082-4584
A2A1DS5	1990-0487	7			LED-LAMP LUM-INT=1MCD IF=20MA-MAX BVR=5V	28480	5082-4584
A2A1DS6	1990-0487	7			LED-LAMP LUM-INT=1MCD IF=20MA-MAX BVR=5V	28480	5082-4584
A2A1DS7	1990-0487	7			LED-LAMP LUM-INT=1MCD IF=20MA-MAX BVR=5V	28480	5082-4584
A2A1MP1	4040-0749	4		1	EXTR-PC BD BRN POLYC .062-BD-THKNS	28480	4040-0749
	1480-0073	6		20	PIN-ROLL .062-IN-DIA .25-IN-LG BE-CU	28480	1480-0073
A2A1MP2	4040-0748	3		11	EXTR-PC BD BLK POLYC .062-BD-THKNS	28480	4040-0748
	1480-0073	8			PIN-ROLL .062-IN-DIA .25-IN-LG BE-CU	28480	1480-0073
A2A1R1	0898-7219	8		6	RESISTOR 196 1% .05W F TC=0+-100	24546	C3-1/8-T0-196R-F
A2A1R2	1810-0280	8		7	NETWORK-RES 10-SIP10.0K OHM X 9	01121	210A103
A2A1R3	1810-0280	8			NETWORK-RES 10-SIP10.0K OHM X 9	01121	210A103
A2A1R4	0898-7219	6			RESISTOR 196 1% .05W F TC=0+-100	24546	C3-1/8-T0-196R-F
A2A1R5	1810-0280	8			NETWORK-RES 10-SIP10.0K OHM X 9	01121	210A103
A2A1R6	1810-0280	8			NETWORK-RES 10-SIP10.0K OHM X 9	01121	210A103
A2A1R7	1810-0280	8			NETWORK-RES 10-SIP10.0K OHM X 9	01121	210A103
A2A1R8	1810-0280	8			NETWORK-RES 10-SIP10.0K OHM X 9	01121	210A103
A2A1R9	0898-7272	1		3	RESISTOR 31.6K 1% .05W F TC=0+-100	24546	C3-1/8-T0-3162-F
A2A1R10	1810-0338	8		1	NETWORK-RES 8-SIP270.0 OHM X 7	01121	208A271
A2A1R11	1810-0280	8			NETWORK-RES 10-SIP10.0K OHM X 9	01121	210A103
A2A1R12	0898-7284	5		4	RESISTOR 100K 1% .05W F TC=0+-100	24548	C3-1/8-T0-1003-F
A2A1S1	3101-0860	9		1	SWITCH-SL DPDT MINTR .5A 125VAC/DC PC	28480	3101-0860
A2A1U1	1820-1202	7		4	IC GATE TTL LS NAND TPL 3-INP	01295	SN74LS10N
A2A1U2	1820-1425	6		2	IC SCHMITT-TRIG TTL LS NAND QUAD 2-INP	01295	SN74LS132N
A2A1U3	1820-1112	8		3	IC FF TTL LS D-TYPE POS-EDGE-TRIG	01295	SN74LS74AN
A2A1U4	1820-1423	4		3	IC MV TTL LS MONOSTBL RETRIG DUAL	01295	SN74LS123N
A2A1U5	1820-1197	9			IC GATE TTL LS NAND QUAD 2-INP	01295	SN74LS00N

†Refer to Section 7 for update information.

*Factory Selected Component (Refer to Section 5).

Table 6-3. Replaceable Parts

Reference Designation	HP Part Number	C D	Qty.	Description	Mfr. Code	Mfr. Part Number
A2A1U6	1820-1112	6		IC FF TTL LS D-TYPE POS-EDGE-TRIG	01295	SN74LS74AN
A2A1U7	1820-1425	6	1	IC SCHMITT-TRIG TTL LS NAND QUAD 2-INP	01295	SN74LS132N
A2A1U8	1820-1281	2	6	IC DCDR TTL LS 2-TO-4-LINE DUAL 2-INP	01295	SN74LS139N
A2A1U9	1820-2307	5	1	IC-PROGRMBL TIMER MOD, 6MHZ, 3 ASYCH	28480	1820-2307
A2A1U10	1820-1199	1	6	IC INV TTL LS HEX 1-INP	01295	SN74LS04N
A2A1U11	1820-1195	7	1	IC FF TTL LS D-TYPE POS-EDGE-TRIG COM	01295	SN74LS175N
A2A1U12	1820-1197	9		IC GATE TTL LS NAND QUAD 2-INP	01295	SN74LS00N
A2A1U13	1820-1851	2	6	IC ENCDR TTL LS	01295	SN74LS148N
A2A1U14	1820-1851	2		IC ENCDR TTL LS	01295	SN74LS148N
A2A1U15	1820-1201	6	5	IC GATE TTL LS AND QUAD 2-INP	01295	SN74LS08N
A2A1U16	1820-1201	6		IC GATE TTL LS AND QUAD 2-INP	01295	SN74LS08N
A2A1U17	1820-1851	2		IC ENCDR TTL LS	01295	SN74LS148N
A2A1U18	1820-1199	1		IC INV TTL LS HEX 1-INP	01295	SN74LS04N
A2A1U19	1820-1858	9	28	IC FF TTL LS D-TYPE OCTL	01295	SN74LS377N
A2A1U20	1820-1473	4	1	IC ENCDR TTL 8-INP	01295	SN74148N
A2A1U21	1820-1851	2		IC ENCDR TTL LS	01295	SN74LS148N
A2A1U22	1820-2102	8		IC LCH TTL LS D-TYPE OCTL	01295	SN74LS373N
A2A1U23	1820-2102	8		IC LCH TTL LS D-TYPE OCTL	01295	SN74LS373N
A2A1U24	1820-1851	2		IC ENCDR TTL LS	01295	SN74LS148N
A2A1U25	1820-1244	7	1	IC MUXR/DATA-SEL TTL LS 4-TO-1-LINE DUAL	01295	SN74LS163N
A2A1U26	1820-2102	8		IC LCH TTL LS D-TYPE OCTL	01295	SN74LS373N
A2A1U27	1820-2311	1	1	IC COMPTR TTL LS MAGTD 8-BIT	34335	AM25LS2621PC
A2A1U28	1820-2081	2	2	IC NMOS	04713	MC68A21P
A2A1U29	1820-2075	4	7	IC TRANSCEIVER TTL LS BUS OCTL	28480	1820-2075
A2A1W1	8159-0005	0	1	RESISTOR-ZERO OHMS 22 AWG LEAD DIA	28480	8159-0005

†Refer to Section 7 for update information.

*Factory Selected Component (Refer to Section 5).

Table 6-3. Replaceable Parts

Reference Designation	HP Part Number	C D	Qty.	Description	Mfr. Code	Mfr. Part Number
A2A2						
A2A2	08663-60337	5	1	SWEEP ASSEMBLY	28480	08663-60337
A2A2C1	0180-2620	6		CAPACITOR-FXD 2.2UF+-10% 50VDC TA	25088	D2R2G91B50K
A2A2C2	0180-2620	6		CAPACITOR-FXD 2.2UF+-10% 50VDC TA	25088	D2R2G91B50K
A2A2C3	0160-0164	7	1	CAPACITOR-FXD .039UF +-10% 200VDC POLYE	28480	0160-0164
A2A2C4	0180-2620	6		CAPACITOR-FXD 2.2UF+-10% 50VDC TA	25088	D2R2G91B50K
A2A2C5	0180-2620	6		CAPACITOR-FXD 2.2UF+-10% 50VDC TA	25088	D2R2G91B50K
A2A2C6	0160-0157	8	1	CAPACITOR-FXD 4700PF +-10% 200VDC POLYE	28480	0160-0157
A2A2C7	0160-0153	4	1	CAPACITOR-FXD 1000PF +-10% 200VDC POLYE	28480	0160-0153
A2A2C8	0180-0187	8		CAPACITOR-FXD 2.2UF+-10% 20VDC TA	56289	150D225X9020A2
A2A2C9	0160-3878	6	53	CAPACITOR-FXD 1000PF +-20% 100VDC CER	28480	0160-3878
A2A2C10	0160-2205	3	1	CAPACITOR-FXD .33UF+-10% 35VDC TA	56289	150D334X9035A2
A2A2C11	0180-0197	8		CAPACITOR-FXD 2.2UF+-10% 20VDC TA	56289	150D225X9020A2
A2A2C12	0180-1746	5	4	CAPACITOR-FXD 15UF+-10% 20VDC TA	56289	150D156X9020B2
A2A2C13	0180-1746	5		CAPACITOR-FXD 15UF+-10% 20VDC TA	56289	150D156X9020B2
A2A2CR1	1901-0040	1	59	DIODE-SWITCHING 30V 50MA 2NS DO-35	28480	1901-0040
A2A2CR2	1901-0050	3	27	DIODE-SWITCHING 80V 200MA 2NS DO-35	28480	1901-0050
A2A2CR3	1901-0050	3		DIODE-SWITCHING 80V 200MA 2NS DO-35	28480	1901-0050
A2A2CR4	1901-0050	3		DIODE-SWITCHING 80V 200MA 2NS DO-35	28480	1901-0050
A2A2CR5	1901-0518	8	14	DIODE-5M SIG SCHOTTKY	28480	1901-0518
A2A2MP1	4040-0750	7	1	EXTR-PC BD RED POLYC .062-BD-THKNS	28480	4040-0750
	1480-0073	6		PIN-ROLL .062-IN-DIA .25-IN-LG BE-CU	28480	1480-0073
A2A2MP2	4040-0748	3		EXTR-PC BD BLK POLYC .062-BD-THKNS	28480	4040-0748
	1480-0073	6		PIN-ROLL .062-IN-DIA .25-IN-LG BE-CU	28480	1480-0073
A2A2Q1	1855-0020	8	2	TRANSISTOR J-FET N-CHAN D-MODE TO-18 SI	28480	1855-0020
A2A2Q2	1855-0020	8		TRANSISTOR J-FET N-CHAN D-MODE TO-18 SI	28480	1855-0020
A2A2Q3	1854-0071	7	2	TRANSISTOR NPN SI PD=300MW FT=200MHZ	28480	1854-0071
A2A2Q4	1854-0071	7		TRANSISTOR NPN SI PD=300MW FT=200MHZ	28480	1854-0071
A2A2Q5	1853-0020	4	1	TRANSISTOR PNP SI PD=300MW FT=150MHZ	28480	1853-0020
A2A2R1	0698-3136	8	5	RESISTOR 17.8K 1% .125W F TC=0+-100	24546	C4-1/B-T0-1782-F
A2A2R2	0757-0442	9	28	RESISTOR 10K 1% .125W F TC=0+-100	24546	C4-1/B-T0-1002-F
A2A2R3	0757-0458	7	9	RESISTOR 51.1K 1% .125W F TC=0+-100	24546	C4-1/B-T0-5112-F
A2A2R4	0757-0458	7		RESISTOR 51.1K 1% .125W F TC=0+-100	24546	C4-1/B-T0-5112-F
A2A2R5	0757-0458	7		RESISTOR 51.1K 1% .125W F TC=0+-100	24546	C4-1/B-T0-5112-F
A2A2R6	0757-0442	9		RESISTOR 10K 1% .125W F TC=0+-100	24546	C4-1/B-T0-1002-F
A2A2R7	2100-2517	4	2	RESISTOR-TRMR 50K 10% C SIDE-ADJ 1-TRN	30993	ET60X503
A2A2R8	0757-0442	9		RESISTOR 10K 1% .125W F TC=0+-100	24546	C4-1/B-T0-1002-F
A2A2R9	0698-3260	9	1	RESISTOR 4.64K 1% .125W F TC=0+-100	28480	0698-3260
A2A2R10	0757-0465	6		RESISTOR 100K 1% .125W F TC=0+-100	24546	C4-1/B-T0-1003-F
A2A2R11	0757-0460	1	2	RESISTOR 61.9K 1% .125W F TC=0+-100	24546	C4-1/B-T0-6192-F
A2A2R12	0698-3161	9	2	RESISTOR 38.3K 1% .125W F TC=0+-100	24546	C4-1/B-T0-3832-F
A2A2R13	0757-0460	1		RESISTOR 61.9K 1% .125W F TC=0+-100	24546	C4-1/B-T0-6192-F
A2A2R14	0757-0465	6		RESISTOR 100K 1% .125W F TC=0+-100	24546	C4-1/B-T0-1003-F
A2A2R15	0757-0439	4	2	RESISTOR 6.81K 1% .125W F TC=0+-100	24546	C4-1/B-T0-6811-F
A2A2R16	0757-0401	0	14	RESISTOR 100 1% .125W F TC=0+-100	24546	C4-1/B-T0-101-F
A2A2R17	0757-0416	7	15	RESISTOR 511 1% .125W F TC=0+-100	24546	C4-1/B-T0-511R-F
A2A2R18	0757-0458	7		RESISTOR 51.1K 1% .125W F TC=0+-100	24546	C4-1/B-T0-5112-F
A2A2R19	0698-3155	1	3	RESISTOR 4.64K 1% .125W F TC=0+-100	24546	C4-1/B-T0-4641-F
A2A2R20	0757-0416	7		RESISTOR 511 1% .125W F TC=0+-100	24546	C4-1/B-T0-511R-F

† Refer to Section 7 for update information.

* Factory Selected Component (Refer to Section 5.)

Table 6-3. Replaceable Parts

Reference Designation	HP Part Number	C D	Qty.	Description	Mfr. Code	Mfr. Part Number
A2A2R21	0757-0280	3	19	RESISTOR 1K 1% .125W F TC=0+-100	24546	C4-1/8-T0-1001-F
A2A2R22	0757-0442	9		RESISTOR 10K 1% .125W F TC=0+-100	24546	C4-1/8-T0-1002-F
A2A2R23	0699-3159	5	4	RESISTOR 26.1K 1% .125W F TC=0+-100	24546	C4-1/8-T0-2612-F
A2A2R24	0699-3159	5		RESISTOR 26.1K 1% .125W F TC=0+-100	24546	C4-1/8-T0-2612-F
A2A2R25	0699-3440	7	2	RESISTOR 196 1% .125W F TC=0+-100	24546	C4-1/8-T0-196R-F
A2A2TP1	1251-0600	0	123	CONNECTOR-SGL CONT PIN 1.14-MM-BSC-SZ SQ	26480	1251-0600
A2A2TP2	1251-0600	0		CONNECTOR-SGL CONT PIN 1.14-MM-BSC-SZ SQ	26480	1251-0600
A2A2TP3	1251-0600	0		CONNECTOR-SGL CONT PIN 1.14-MM-BSC-SZ SQ	26480	1251-0600
A2A2TP4	1251-0600	0		CONNECTOR-SGL CONT PIN 1.14-MM-BSC-SZ SQ	26480	1251-0600
A2A2TP6	1251-0600	0		CONNECTOR-SGL CONT PIN 1.14-MM-BSC-SZ SQ	26480	1251-0600
A2A2U1	1820-1201	6		IC GATE TTL LS AND QUAD 2-INP	01295	SN74LS08N
A2A2U2	1820-1423	4		IC MV TTL LS MONOSTBL RETRIG DUAL	01295	SN74LS123N
A2A2U3	1826-0271	0	2	IC OP AMP GP 8-DIP-P PKG	01295	SN72741P
A2A2U4	1826-0921	7	3	D/A 10-BIT 16-CBRZ/SDR CMOS	26480	1826-0921
A2A2U5	1820-1423	4		IC MV TTL LS MONOSTBL RETRIG DUAL	01295	SN74LS123N
A2A2U6	1820-1197	9		IC GATE TTL LS NAND QUAD 2-INP	01295	SN74LS00N
A2A2U7	1826-0323	3	1	IC OP AMP GP QUAD 14-DIP-C PKG	26480	1826-0323
A2A2U8	1826-0271	0		IC OP AMP GP 8-DIP-P PKG	01295	SN72741P
A2A2U9	1820-1858	9		IC FF TTL LS D-TYPE OCTL	01295	SN74LS377N
A2A2U10	1820-1858	9		IC FF TTL LS D-TYPE OCTL	01295	SN74LS377N
A2A2U11	1820-1858	9		IC FF TTL LS D-TYPE OCTL	01295	SN74LS377N
A2A2U12	1820-1858	9		IC FF TTL LS D-TYPE OCTL	01295	SN74LS377N
A2A2U13	1820-1858	9		IC FF TTL LS D-TYPE OCTL	01295	SN74LS377N
A2A2U14	1820-1858	9		IC FF TTL LS D-TYPE OCTL	01295	SN74LS377N
A2A2U15	1820-1858	9		IC FF TTL LS D-TYPE OCTL	01295	SN74LS377N
A2A2U16	1820-1216	3		IC DCDR TTL LS 3-T0-8-LINE 3-INP	01295	SN74LS138N
A2A2U17	1820-2024	3	35	IC DRVR TTL LS LINE DRVR OCTL	01295	SN74LS244N

† Refer to Section 7 for update information.

* Factory Selected Component (Refer to Section 5.)

Table 6-3. Replaceable Parts

Reference Designation	HP Part Number	C D	Qty.	Description	Mfr. Code	Mfr. Part Number
A2A3						
A2A3	08663-60328	4	1	PERIPHERAL RAM ASSEMBLY	28480	08663-60328
A2A3C1	0180-2620	6		CAPACITOR-FXD 2.2UF+-10% 50VDC TA	25088	D2R2GS1B50K
A2A3C2	0180-2620	6		CAPACITOR-FXD 2.2UF+-10% 50VDC TA	25088	D2R2GS1B50K
A2A3C3	0180-2620	6		CAPACITOR-FXD 2.2UF+-10% 50VDC TA	25088	D2R2GS1B50K
A2A3C4	0160-0576	5	53	CAPACITOR-FXD .1UF +-20% 50VDC CER	28480	0160-0576
A2A3C5	0160-0576	5		CAPACITOR-FXD .1UF +-20% 50VDC CER	28480	0160-0576
A2A3C6	0160-0576	5		CAPACITOR-FXD .1UF +-20% 50VDC CER	28480	0160-0576
A2A3C7	0160-0576	5		CAPACITOR-FXD .1UF +-20% 50VDC CER	28480	0160-0576
A2A3C8	0160-0576	5		CAPACITOR-FXD .1UF +-20% 50VDC CER	28480	0160-0576
A2A3C9	0160-0576	5		CAPACITOR-FXD .1UF +-20% 50VDC CER	28480	0160-0576
A2A3C10	0160-0576	5		CAPACITOR-FXD .1UF +-20% 50VDC CER	28480	0160-0576
A2A3C11	0160-0576	5		CAPACITOR-FXD .1UF +-20% 50VDC CER	28480	0160-0576
A2A3C12	0160-0576	5		CAPACITOR-FXD .1UF +-20% 50VDC CER	28480	0160-0576
A2A3C13	0160-3447	5	1	CAPACITOR-FXD 470PF +-10% 1KVDC CER	28480	0160-3447
A2A3C14	0180-2819	3	8	CAPACITOR-FXD 22UF+-10% 15VDC TA	25088	D22GS1B18K
A2A3C15	0180-2819	3		CAPACITOR-FXD 22UF+-10% 15VDC TA	25088	D22GS1B18K
A2A3C16	0180-2620	6		CAPACITOR-FXD 2.2UF+-10% 50VDC TA	25088	D2R2GS1B50K
A2A3C17	0180-2620	6		CAPACITOR-FXD 2.2UF+-10% 50VDC TA	25088	D2R2GS1B50K
A2A3C18	0160-0576	5		CAPACITOR-FXD .1UF +-20% 50VDC CER	28480	0160-0576
A2A3C19	0160-0576	5		CAPACITOR-FXD .1UF +-20% 50VDC CER	28480	0160-0576
A2A3C20	0160-0576	5		CAPACITOR-FXD .1UF +-20% 50VDC CER	28480	0160-0576
A2A3C21	0160-0576	5		CAPACITOR-FXD .1UF +-20% 50VDC CER	28480	0160-0576
A2A3C22	0160-0576	5		CAPACITOR-FXD .1UF +-20% 50VDC CER	28480	0160-0576
A2A3C23	0160-0576	5		CAPACITOR-FXD .1UF +-20% 50VDC CER	28480	0160-0576
A2A3C24	0160-3449	7	2	CAPACITOR-FXD 2000PF +-10% 250VDC CER	28480	0160-3449
A2A3C25	0160-3449	7		CAPACITOR-FXD 2000PF +-10% 250VDC CER	28480	0160-3449
A2A3CR1	1901-0376	6	5	DIODE-GEN PRP 35V 50MA DO-35	28480	1901-0376
A2A3CR2	1901-0376	6		DIODE-GEN PRP 35V 50MA DO-35	28480	1901-0376
A2A3CR3	1901-0376	6		DIODE-GEN PRP 35V 50MA DO-35	28480	1901-0376
A2A3CR4	1901-0376	6		DIODE-GEN PRP 35V 50MA DO-35	28480	1901-0376
A2A3MP1	4040-0751	8	1	EXTR-PC BD ORN POLYC .082-BD-THKNS	28480	4040-0751
	1480-0073	6		PIN-ROLL .062-IN-DIA .25-IN-LG BE-CU	28480	1480-0073
A2A3MP2	4040-0748	3		EXTR-PC BD BLK POLYC .082-BD-THKNS	28480	4040-0748
	1480-0073	6		PIN-ROLL .062-IN-DIA .25-IN-LG BE-CU	28480	1480-0073
A2A3Q1	1853-0393	4	2	TRANSISTOR PNP SI TO-18 PD=500MW	28480	1853-0393
A2A3Q2	1854-0810	2	5	TRANSISTOR NPN SI PD=625MW FT=200MHZ	28480	1854-0810
A2A3Q3	1854-0810	2		TRANSISTOR NPN SI PD=625MW FT=200MHZ	28480	1854-0810
A2A3Q4	1854-0810	2		TRANSISTOR NPN SI PD=625MW FT=200MHZ	28480	1854-0810
A2A3Q5	1853-0393	4		TRANSISTOR PNP SI TO-18 PD=500MW	28480	1853-0393
A2A3Q6	1854-0810	2		TRANSISTOR NPN SI PD=625MW FT=200MHZ	28480	1854-0810
A2A3R1	1810-0279	5	7	NETWORK-RES 10-SIP4.7K OHM X 9	01121	210A472
A2A3R2	1810-0279	5		NETWORK-RES 10-SIP4.7K OHM X 9	01121	210A472
A2A3R3	1810-0279	5		NETWORK-RES 10-SIP4.7K OHM X 9	01121	210A472
A2A3R4	0757-0199	3	6	RESISTOR 21.5K 1% .125W F TC=0+-100	24546	C4-1/B-T0-2152-F
A2A3R5	0757-0199	3		RESISTOR 21.5K 1% .125W F TC=0+-100	24546	C4-1/B-T0-2152-F

† Refer to Section 7 for update information.

* Factory Selected Component (Refer to Section 5.)

Table 6-3. Replaceable Parts

Reference Designation	HP Part Number	C D	Qty.	Description	Mfr. Code	Mfr. Part Number
A2A3R6	0757-0199	3		RESISTOR 21.5K 1% .125W F TC=0+-100	24546	C4-1/B-T0-2152-F
A2A3R7	0757-0199	3		RESISTOR 21.5K 1% .125W F TC=0+-100	24546	C4-1/B-T0-2152-F
A2A3R8	0757-0461	2	1	RESISTOR 68.1K 1% .125W F TC=0+-100	24546	C4-1/B-T0-6812-F
A2A3R9	0757-0466	7	4	RESISTOR 110K 1% .125W F TC=0+-100	24546	C4-1/B-T0-1103-F
A2A3R10	0757-0346	2	6	RESISTOR 10 1% .125W F TC=0+-100	24546	C4-1/B-T0-10R0-F
A2A3R11	0757-0280	3		RESISTOR 1K 1% .125W F TC=0+-100	24546	C4-1/B-T0-1001-F
A2A3R12	0757-0466	7		RESISTOR 110K 1% .125W F TC=0+-100	24546	C4-1/B-T0-1103-F
A2A3R13	0757-0466	7		RESISTOR 110K 1% .125W F TC=0+-100	24546	C4-1/B-T0-1103-F
A2A3R14	0757-0442	9		RESISTOR 10K 1% .125W F TC=0+-100	24546	C4-1/B-T0-1002-F
A2A3R15	0757-0466	7		RESISTOR 110K 1% .125W F TC=0+-100	24546	C4-1/B-T0-1103-F
A2A3R16	0757-0458	7		RESISTOR 51.1K 1% .125W F TC=0+-100	24546	C4-1/B-T0-5112-F
A2A3R17	0757-0442	9		RESISTOR 10K 1% .125W F TC=0+-100	24546	C4-1/B-T0-1002-F
A2A3R18	0757-0394	0	3	RESISTOR 51.1 1% .125W F TC=0+-100	24546	C4-1/B-T0-51R1-F
A2A3R19	0757-0274	5	5	RESISTOR 1.21K 1% .125W F TC=0+-100	24546	C4-1/B-T0-1211-F
A2A3R20	0698-3459	8	2	RESISTOR 383K 1% .125W F TC=0+-100	28480	0698-3459
A2A3R21	0698-3459	8		RESISTOR 383K 1% .125W F TC=0+-100	28480	0698-3459
A2A3U1	1820-1281	2		IC DC DR TTL LS 2-TO-4-LINE DUAL 2-INP	01295	SN74LS139N
A2A3U2	1820-1194	6	3	IC CNTR TTL LS BIN UP/DOWN SYNCHRO	01295	SN74LS193N
A2A3U3	1820-1194	6		IC CNTR TTL LS BIN UP/DOWN SYNCHRO	01295	SN74LS193N
A2A3U4	1820-1208	3	3	IC GATE TTL LS OR QUAD 2-INP	01295	SN74LS32N
A2A3U5	1820-1194	6		IC CNTR TTL LS BIN UP/DOWN SYNCHRO	01295	SN74LS193N
A2A3U6	1818-1330	7	4	IC CMOS 4096 (4K) STAT RAM 300-NS 3-S	S0545	UPD444C-1
A2A3U7	1818-1330	7		IC CMOS 4096 (4K) STAT RAM 300-NS 3-S	S0545	UPD444C-1
A2A3U8	1818-1330	7		IC CMOS 4096 (4K) STAT RAM 300-NS 3-S	S0545	UPD444C-1
A2A3U9	1818-1330	7		IC CMOS 4096 (4K) STAT RAM 300-NS 3-S	S0545	UPD444C-1
A2A3U10	1820-2024	3		IC DRVR TTL LS LINE DRVR OCTL	01295	SN74LS244N
A2A3U11	1820-2081	2		IC NMOS	04713	MC68A21P
A2A3U12	1820-2102	8		IC LCH TTL LS D-TYPE OCTL	01295	SN74LS373N
A2A3U13	1820-1997	7		IC FF TTL LS D-TYPE POS-EDGE-TRIG PRL-IN	01295	SN74LS374N
A2A3U14	1820-2075	4		IC TRANSCEIVER TTL LS BUS OCTL	28480	1820-2075
A2A3U15	1826-0181	3	3	IC COMPARATOR GP DUAL TO-100 PKG	27014	LM319H
A2A3U16	1820-2024	3		IC DRVR TTL LS LINE DRVR OCTL	01295	SN74LS244N
A2A3U17	1820-2024	3		IC DRVR TTL LS LINE DRVR OCTL	01295	SN74LS244N
A2A3U18	1820-1204	9	4	IC GATE TTL LS NAND DUAL 4-INP	01295	SN74LS20N
A2A3U19	1820-1917	1	2	IC BFR TTL LS LINE DRVR OCTL	01295	SN74LS240N
A2A3U20	1820-2024	3		IC DRVR TTL LS LINE DRVR OCTL	01295	SN74LS244N
A2A3U21	1820-1216	3		IC DC DR TTL LS 3-TO-8-LINE 3-INP	01295	SN74LS138N

† Refer to Section 7 for update information.

* Factory Selected Component (Refer to Section 5.)

Table 6-3. Replaceable Parts

Reference Designation	HP Part Number	C D	Qty.	Description	Mfr. Code	Mfr. Part Number
A2A4						
A2A4	08663-60334	2	1	MODULATION ASSEMBLY	28480	08663-60334
A2A4C1	0180-2620	6		CAPACITOR-FXD 2.2UF+-10% 50VDC TA	25088	D2R2GS1B50K
A2A4C2	0180-2620	6		CAPACITOR-FXD 2.2UF+-10% 50VDC TA	25088	D2R2GS1B50K
A2A4C3	0180-2620	6		CAPACITOR-FXD 2.2UF+-10% 50VDC TA	25088	D2R2GS1B50K
A2A4C4	0180-2620	6		CAPACITOR-FXD 2.2UF+-10% 50VDC TA	25088	D2R2GS1B50K
A2A4C5	0180-2620	6		CAPACITOR-FXD 2.2UF+-10% 50VDC TA	25088	D2R2GS1B50K
A2A4C6	0180-2620	6		CAPACITOR-FXD 2.2UF+-10% 50VDC TA	25088	D2R2GS1B50K
A2A4MP1	4040-0752	9	1	EXTR-PC BD YEL POLYC .082-BD-THKNS	28480	4040-0752
	1480-0073	6		PIN-ROLL .082-IN-DIA .25-IN-LG BE-CU	28480	1480-0073
A2A4MP2	4040-0748	3		EXTR-PC BD BLK POLYC .082-BD-THKNS	28480	4040-0748
	1480-0073	6		PIN-ROLL .082-IN-DIA .25-IN-LG BE-CU	28480	1480-0073
A2A4R1	0698-7260	7	34	RESISTOR 10K 1% .05W F TC=0+-100	24546	C3-1/8-T0-1002-F
A2A4R2	1810-0367	2	4	NETWORK-RES 6-SIP4.7K OHM X 5	01121	206A472
A2A4R3	1810-0367	2		NETWORK-RES 6-SIP4.7K OHM X 5	01121	206A472
A2A4R4	0757-0401	0		RESISTOR 100 1% .125W F TC=0+-100	24546	C4-1/8-T0-101-F
A2A4U1	1820-1216	3		IC DDDR TTL LS 3-TO-8-LINE 3-INP	01295	SN74LS138N
A2A4U2	1820-2024	3		IC DRVR TTL LS LINE DRVR OCTL	01295	SN74LS244N
A2A4U3	1820-2024	3		IC DRVR TTL LS LINE DRVR OCTL	01295	SN74LS244N
A2A4U4	1820-2024	3		IC DRVR TTL LS LINE DRVR OCTL	01295	SN74LS244N
A2A4U5	1820-2024	3		IC DRVR TTL LS LINE DRVR OCTL	01295	SN74LS244N
A2A4U6	1820-2024	3		IC DRVR TTL LS LINE DRVR OCTL	01295	SN74LS244N
A2A4U7	1820-2024	3		IC DRVR TTL LS LINE DRVR OCTL	01295	SN74LS244N
A2A4U8	1820-2024	3		IC DRVR TTL LS LINE DRVR OCTL	01295	SN74LS244N
A2A4U9	1820-1204	9		IC GATE TTL LS NAND DUAL 4-INP	01295	SN74LS20N
A2A4U10	1820-1216	3		IC DDDR TTL LS 3-TO-8-LINE 3-INP	01295	SN74LS138N
A2A4U11	1820-1858	9		IC FF TTL LS D-TYPE OCTL	01295	SN74LS377N
A2A4U12	1820-1858	9		IC FF TTL LS D-TYPE OCTL	01295	SN74LS377N
A2A4U13	1820-1858	9		IC FF TTL LS D-TYPE OCTL	01295	SN74LS377N
A2A4U14	1820-1858	9		IC FF TTL LS D-TYPE OCTL	01295	SN74LS377N
A2A4U15	1820-1858	9		IC FF TTL LS D-TYPE OCTL	01295	SN74LS377N
A2A4U16	1820-1858	9		IC FF TTL LS D-TYPE OCTL	01295	SN74LS377N
A2A4U17	1820-1858	9		IC FF TTL LS D-TYPE OCTL	01295	SN74LS377N
A2A4U18	1820-2075	4		IC TRANSCEIVER TTL LS BUS OCTL	28480	1820-2075

† Refer to Section 7 for update information.

* Factory Selected Component (Refer to Section 5.)

6-21/
(6-22 blank)

Table 6-3. Replaceable Parts

Reference Designation	HP Part Number	C D	Qty.	Description	Mfr. Code	Mfr. Part Number
A2A5						
A2A5	08663-60341	1	1	FREQUENCY ASSEMBLY	28480	08663-60341
A2A5C1	0180-2617	1	20	CAPACITOR-FXD 6.8UF+-10% 35VDC TA	25088	D6R8GS1B35K
A2A5C2	0180-2617	1		CAPACITOR-FXD 6.8UF+-10% 35VDC TA	25088	D6R8GS1B35K
A2A5C3	0180-2617	1		CAPACITOR-FXD 6.8UF+-10% 35VDC TA	25088	D6R8GS1B35K
A2A5C4	0180-2617	1		CAPACITOR-FXD 6.8UF+-10% 35VDC TA	25088	D6R8GS1B35K
A2A5C5	0180-2617	1		CAPACITOR-FXD 6.8UF+-10% 35VDC TA	25088	D6R8GS1B35K
A2A5C8	0180-2617	1		CAPACITOR-FXD 6.8UF+-10% 35VDC TA	25088	D6R8GS1B35K
A2A5MP1	4040-0753	0	1	EXTR-PC BD GRN POLYC .082-BD-THKNS	28480	4040-0753
	1480-0073	6		PIN-ROLL .082-IN-DIA .25-IN-LG BE-CU	28480	1480-0073
A2A5MP2	4040-0748	3		EXTR-PC BD BLK POLYC .082-BD-THKNS	28480	4040-0748
	1480-0073	6		PIN-ROLL .082-IN-DIA .25-IN-LG BE-CU	28480	1480-0073
A2A5R1	0757-0280	3		RESISTOR 1K 1% .125W F TC=0+-100	24546	C4-1/8-T0-1001-F
A2A5R2	0757-0280	3		RESISTOR 1K 1% .125W F TC=0+-100	24546	C4-1/8-T0-1001-F
A2A5R3	1810-0279	5		NETWORK-RES 10-SIP4.7K OHM X 9	01121	210A472
A2A5R4	0757-0401	0		RESISTOR 100 1% .125W F TC=0+-100	24546	C4-1/8-T0-101-F
A2A5R5	0757-0401	0		RESISTOR 100 1% .125W F TC=0+-100	24546	C4-1/8-T0-101-F
A2A5R6	0757-0401	0		RESISTOR 100 1% .125W F TC=0+-100	24546	C4-1/8-T0-101-F
A2A5R7	0757-0401	0		RESISTOR 100 1% .125W F TC=0+-100	24546	C4-1/8-T0-101-F
A2A5R8	0757-0401	0		RESISTOR 100 1% .125W F TC=0+-100	24546	C4-1/8-T0-101-F
A2A5R9	0757-0401	0		RESISTOR 100 1% .125W F TC=0+-100	24546	C4-1/8-T0-101-F
A2A5R10	0757-0401	0		RESISTOR 100 1% .125W F TC=0+-100	24546	C4-1/8-T0-101-F
A2A5R11	0757-0401	0		RESISTOR 100 1% .125W F TC=0+-100	24546	C4-1/8-T0-101-F
A2A5U1	1820-1207	2	5	IC GATE TTL LS NAND 8-IMP	01295	SN74LS30N
A2A5U2	1820-1987	5	8	IC SHF-RGTR TTL LS COM CLEAR STOR 8-BIT	01295	SN74LS299N
A2A5U3	1820-1987	5		IC SHF-RGTR TTL LS COM CLEAR STOR 8-BIT	01295	SN74LS299N
A2A5U4	1820-1987	5		IC SHF-RGTR TTL LS COM CLEAR STOR 8-BIT	01295	SN74LS299N
A2A5U5	1820-1987	5		IC SHF-RGTR TTL LS COM CLEAR STOR 8-BIT	01295	SN74LS299N
A2A5U6	1820-1987	5		IC SHF-RGTR TTL LS COM CLEAR STOR 8-BIT	01295	SN74LS299N
A2A5U7	1820-1987	5		IC SHF-RGTR TTL LS COM CLEAR STOR 8-BIT	01295	SN74LS299N
A2A5U8	1820-1987	5		IC SHF-RGTR TTL LS COM CLEAR STOR 8-BIT	01295	SN74LS299N
A2A5U9	1820-1987	5		IC SHF-RGTR TTL LS COM CLEAR STOR 8-BIT	01295	SN74LS299N
A2A5U10	1820-1216	3		IC DCDR TTL LS 3-TO-8-LINE 3-IMP	01295	SN74LS138N
A2A5U11	1820-1216	3		IC DCDR TTL LS 3-TO-8-LINE 3-IMP	01295	SN74LS138N
A2A5U12	1820-1204	9		IC GATE TTL LS NAND DUAL 4-IMP	01295	SN74LS20N
A2A5U13	1820-2024	3		IC DRVR TTL LS LINE DRVR OCTL	01295	SN74LS244N
A2A5U14	1820-2024	3		IC DRVR TTL LS LINE DRVR OCTL	01295	SN74LS244N
A2A5U15	1820-2024	3		IC DRVR TTL LS LINE DRVR OCTL	01295	SN74LS244N
A2A5U16	1820-2024	3		IC DRVR TTL LS LINE DRVR OCTL	01295	SN74LS244N
A2A5U17	1820-2024	3		IC DRVR TTL LS LINE DRVR OCTL	01295	SN74LS244N
A2A5U18	1820-2024	3		IC DRVR TTL LS LINE DRVR OCTL	01295	SN74LS244N
A2A5U19	1820-1267	4	2	IC CONV TTL BCD-TO-BIN 8-BIT	01295	SN74184N
A2A5U20	1820-1267	4		IC CONV TTL BCD-TO-BIN 8-BIT	01295	SN74184N
A2A5U21	1820-1858	9		IC FF TTL LS D-TYPE OCTL	01295	SN74LS377N
A2A5U22	1820-1858	9		IC FF TTL LS D-TYPE OCTL	01295	SN74LS377N
A2A5U23	1820-1858	9		IC FF TTL LS D-TYPE OCTL	01295	SN74LS377N
A2A5U24	1820-1858	9		IC FF TTL LS D-TYPE OCTL	01295	SN74LS377N
A2A5U25	1820-1858	9		IC FF TTL LS D-TYPE OCTL	01295	SN74LS377N
A2A5U26	1820-1858	9		IC FF TTL LS D-TYPE OCTL	01295	SN74LS377N

†Refer to Section 7 for update information.

*Factory Selected Component (Refer to Section 5).

Table 6-3. Replaceable Parts

Reference Designation	HP Part Number	C D	Qty.	Description	Mfr. Code	Mfr. Part Number
A2A6						
A2A6	08663-60333	1	1	HP/IB ASSEMBLY	28480	08663-60333
A2A6C1	0180-2620	6		CAPACITOR-FXD 2.2UF+-10% 50VDC TA	25088	D2R2G31B50K
A2A6C2	0180-2620	6		CAPACITOR-FXD 2.2UF+-10% 50VDC TA	25088	D2R2G31B50K
A2A6C3	0180-2620	6		CAPACITOR-FXD 2.2UF+-10% 50VDC TA	25088	D2R2G31B50K
A2A6C4	0180-2620	6		CAPACITOR-FXD 2.2UF+-10% 50VDC TA	25088	D2R2G31B50K
A2A6C5	0180-2620	6		CAPACITOR-FXD 2.2UF+-10% 50VDC TA	25088	D2R2G31B50K
A2A6C6	0180-2620	6		CAPACITOR-FXD 2.2UF+-10% 50VDC TA	25088	D2R2G31B50K
A2A6C7	0180-3877	5		CAPACITOR-FXD 100PF +-20% 200VDC CER	28480	0180-3877
A2A6C8	0180-3877	5		CAPACITOR-FXD 100PF +-20% 200VDC CER	28480	0180-3877
A2A6CR24	1901-0040	1		DIODE-SWITCHING 30V 50MA 2NS DO-35	28480	1901-0040
A2A6MP1	4040-0754	1	1	EXTR-PC BD BLU POLYC .062-BD-THKNS	28480	4040-0754
	1480-0073	6		PIN-ROLL .062-IN-DIA .25-IN-LG BE-CU	28480	1480-0073
A2A6MP2	4040-0748	3		EXTR-PC BD BLK POLYC .062-BD-THKNS	28480	4040-0748
	1480-0073	6		PIN-ROLL .062-IN-DIA .25-IN-LG BE-CU	28480	1480-0073
A2A6R1	0757-0280	3		RESISTOR 1K 1% .125W F TC=0+-100	24546	C4-1/8-T0-1001-F
A2A6R2	0757-0280	3		RESISTOR 1K 1% .125W F TC=0+-100	24546	C4-1/8-T0-1001-F
A2A6R3	1810-0279	5		NETWORK-RES 10-SIP4.7K OHM X 9	01121	210A472
A2A6R4	0757-0442	9		RESISTOR 10K 1% .125W F TC=0+-100	24546	C4-1/8-T0-1002-F
A2A6R5	0757-0442	9		RESISTOR 10K 1% .125W F TC=0+-100	24546	C4-1/8-T0-1002-F
A2A6R6	0757-0442	9		RESISTOR 10K 1% .125W F TC=0+-100	24546	C4-1/8-T0-1002-F
A2A6R7	0757-0442	9		RESISTOR 10K 1% .125W F TC=0+-100	24546	C4-1/8-T0-1002-F
A2A6R8	0757-0442	9		RESISTOR 10K 1% .125W F TC=0+-100	24546	C4-1/8-T0-1002-F
A2A6R9	0757-0442	9		RESISTOR 10K 1% .125W F TC=0+-100	24546	C4-1/8-T0-1002-F
A2A6R10	0757-0442	9		RESISTOR 10K 1% .125W F TC=0+-100	24546	C4-1/8-T0-1002-F
A2A6R11	0757-0442	9		RESISTOR 10K 1% .125W F TC=0+-100	24546	C4-1/8-T0-1002-F
A2A6R12	0757-0442	9		RESISTOR 10K 1% .125W F TC=0+-100	24546	C4-1/8-T0-1002-F
A2A6R13	0757-0442	9		RESISTOR 10K 1% .125W F TC=0+-100	24546	C4-1/8-T0-1002-F
A2A6R14	0757-0442	9		RESISTOR 10K 1% .125W F TC=0+-100	24546	C4-1/8-T0-1002-F
A2A6R15	0757-0442	9		RESISTOR 10K 1% .125W F TC=0+-100	24546	C4-1/8-T0-1002-F
A2A6R16	0757-0280	3		RESISTOR 1K 1% .125W F TC=0+-100	24546	C4-1/8-T0-1001-F
A2A6R17	0757-0280	3		RESISTOR 1K 1% .125W F TC=0+-100	24546	C4-1/8-T0-1001-F
A2A6R18	0757-0280	3		RESISTOR 1K 1% .125W F TC=0+-100	24546	C4-1/8-T0-1001-F
A2A6R19	1810-0279	5		NETWORK-RES 10-SIP4.7K OHM X 9	01121	210A472
A2A6R20	0698-3445	2	3	RESISTOR 348 1% .125W F TC=0+-100	24546	C4-1/8-T0-348R-F
A2A6R21	0698-3445	2		RESISTOR 348 1% .125W F TC=0+-100	24546	C4-1/8-T0-348R-F
A2A6S1	3100-3414	3	1	SWITCH-THUMBWHEEL 2-MOD; BCD 1-2-4-8	28480	3100-3414
A2A6U1	1820-1199	1		IC INV TTL LS HEX 1-INP	01295	SN74LS04N
A2A6U2	1820-1201	6		IC GATE TTL LS AND QUAD 2-INP	01295	SN74LS08N
A2A6U3	1820-1208	3		IC GATE TTL LS OR QUAD 2-INP	01295	SN74LS32N
A2A6U4	1820-2075	4		IC TRANSCEIVER TTL LS BUS OCTL	28480	1820-2075
A2A6U5	1820-1858	9		IC FF TTL LS D-TYPE OCTL	01295	SN74LS377N
A2A6U6	1820-2024	3		IC DRVR TTL LS LINE DRVR OCTL	01295	SN74LS244N
A2A6U7	1820-2024	3		IC DRVR TTL LS LINE DRVR OCTL	01295	SN74LS244N
A2A6U8	1820-2149	2	1	IC MICPROC-ACCESS NMOS	04713	MC68A488L
A2A6U9	1820-1199	1		IC INV TTL LS HEX 1-INP	01295	SN74LS04N
A2A6U10	1820-0535	7	6	IC DRVR TTL AND DUAL 2-INP	01295	SN75451BP

† Refer to Section 7 for update information.

* Factory Selected Component (Refer to Section 5.)

Table 6-3. Replaceable Parts

Reference Designation	HP Part Number	C D	Qty.	Description	Mfr. Code	Mfr. Part Number
A2A6U11	1820-0535	7		IC DRVR TTL AND DUAL 2-INP	01295	SN78451BP
A2A6U12	1820-0535	7		IC DRVR TTL AND DUAL 2-INP	01295	SN75451BP
A2A6U13	1820-0535	7		IC DRVR TTL AND DUAL 2-INP	01295	SN75451BP
A2A6U14	1820-0535	7		IC DRVR TTL AND DUAL 2-INP	01295	SN75451BP
A2A6U15	1820-0535	7		IC DRVR TTL AND DUAL 2-INP	01295	SN75451BP
A2A6U16	1820-2058	3	4	IC MISC TTL S QUAD	07263	MC344BAL
A2A6U17	1820-2058	3		IC MISC TTL S QUAD	07263	MC344BAL
A2A6U18	1820-2058	3		IC MISC TTL S QUAD	07263	MC344BAL
A2A6U19	1820-2058	3		IC MISC TTL S QUAD	07263	MC344BAL

† Refer to Section 7 for update information.

* Factory Selected Component (Refer to Section 5.)

Table 6-3. Replaceable Parts

Reference Designation	HP Part Number	C D	Qty.	Description	Mfr. Code	Mfr. Part Number
A2A7						
A2A7	08863-60332	0	1	MICROPROCESSOR ASSEMBLY	28480	08863-60332
A2A7C1	0180-3455	5	2	CAPACITOR-FXD 470PF +-10% 1KVDC CER	28480	0180-3455
A2A7C2	0180-0576	5		CAPACITOR-FXD .1UF +-20% 50VDC CER	28480	0180-0576
A2A7C3	0180-2617	1		CAPACITOR-FXD 6.8UF+-10% 35VDC TA	25088	D6R8GS1B35K
A2A7C4	0180-2617	1		CAPACITOR-FXD 6.8UF+-10% 35VDC TA	25088	D6R8GS1B35K
A2A7C5	0180-2617	1		CAPACITOR-FXD 6.8UF+-10% 35VDC TA	25088	D6R8GS1B35K
A2A7C6	0180-0374	3	1	CAPACITOR-FXD 10UF+-10% 20VDC TA	58289	150D106X9020B2
A2A7C7	0180-2617	1		CAPACITOR-FXD 6.8UF+-10% 35VDC TA	25088	D6R8GS1B35K
A2A7C8	0180-2617	1		CAPACITOR-FXD 6.8UF+-10% 35VDC TA	25088	D6R8GS1B35K
A2A7C9	0180-0197	8		CAPACITOR-FXD 2.2UF+-10% 20VDC TA	58289	150D225X9020A2
A2A7C10	0180-2617	1		CAPACITOR-FXD 6.8UF+-10% 35VDC TA	25088	D6R8GS1B35K
A2A7C11	0180-3879	7	65	CAPACITOR-FXD .01UF +-20% 100VDC CER	28480	0180-3879
2234A TO 2342A A2A7C12				NOT ASSIGNED		
2346A TO 2516A A2A7C12	0180-3774	1	1	CAPACITOR-FXD 22PF +-10% 100VDC CER	28854	28N100S220KA
2626A AND ABOVE A2A7C12	0160-4787	8		CAPACITOR-FXD 22PF +-5% 100VDC CER 0+-30	28480	0160-4787
A2A7CR1	1901-0376	6		DIODE-GEN PRP 35V 50MA DO-35	28480	1901-0376
A2A7MP1	4040-0755	2	1	EXTR-PC BD VIO POLYC .062-BD-THKNS	28480	4040-0755
	1480-0073	6		PIN-ROLL .062-IN-DIA .25-IN-LG BE-CU	28480	1480-0073
A2A7MP2	4040-0748	3		EXTR-PC BD BLK POLYC .062-BD-THKNS	28480	4040-0748
	1480-0073	6		PIN-ROLL .062-IN-DIA .25-IN-LG BE-CU	28480	1480-0073
A2A7R1	0898-7268	5	7	RESISTOR 21.5K 1% .05W F TC=0+-100	24546	C3-1/8-T0-2152-F
A2A7R2	0898-7268	5		RESISTOR 21.5K 1% .05W F TC=0+-100	24546	C3-1/8-T0-2152-F
A2A7R3	0898-7268	5		RESISTOR 21.5K 1% .05W F TC=0+-100	24546	C3-1/8-T0-2152-F
A2A7R4	0898-7268	5		RESISTOR 21.5K 1% .05W F TC=0+-100	24546	C3-1/8-T0-2152-F
A2A7R5	0898-7284	5		RESISTOR 100K 1% .05W F TC=0+-100	24546	C3-1/8-T0-1003-F
A2A7R6	0898-7236	7	17	RESISTOR 1K 1% .05W F TC=0+-100	24546	C3-1/8-T0-1001-F
A2A7R7	0898-7236	7		RESISTOR 1K 1% .05W F TC=0+-100	24546	C3-1/8-T0-1001-F
A2A7R8	0898-7248	1	11	RESISTOR 3.16K 1% .05W F TC=0+-100	24546	C3-1/8-T0-3161-F
A2A7R9	0898-7248	1		RESISTOR 3.16K 1% .05W F TC=0+-100	24546	C3-1/8-T0-3161-F
A2A7R10	0898-7283	4	1	RESISTOR 90.9K 1% .05W F TC=0+-100	24546	C3-1/8-T0-9092-F
A2A7R11	0898-7260	7		RESISTOR 10K 1% .05W F TC=0+-100	24546	C3-1/8-T0-1002-F
A2A7R12	0898-7268	5		RESISTOR 21.5K 1% .05W F TC=0+-100	24546	C3-1/8-T0-2152-F
A2A7R13	0898-7280	7		RESISTOR 10K 1% .05W F TC=0+-100	24546	C3-1/8-T0-1002-F
A2A7R14	0898-7268	5		RESISTOR 21.5K 1% .05W F TC=0+-100	24546	C3-1/8-T0-2152-F
A2A7R15	0898-7286	7	1	RESISTOR 121K 1% .05W F TC=0+-100	24546	C3-1/8-T0-1213-F
A2A7R16	0898-7236	7		RESISTOR 1K 1% .05W F TC=0+-100	24546	C3-1/8-T0-1001-F
A2A7R17	0898-7236	7		RESISTOR 1K 1% .05W F TC=0+-100	24546	C3-1/8-T0-1001-F
A2A7R18	0898-7280	7		RESISTOR 10K 1% .05W F TC=0+-100	24546	C3-1/8-T0-1002-F
A2A7R19	0898-7260	7		RESISTOR 10K 1% .05W F TC=0+-100	24546	C3-1/8-T0-1002-F
A2A7R20	0898-7236	7		RESISTOR 1K 1% .05W F TC=0+-100	24546	C3-1/8-T0-1001-F
A2A7R21	1810-0275	1	1	NETWORK-RES 10-SIP1.0K OHM X 9	01121	210A102
A2A7R22	0898-7260	7		RESISTOR 10K 1% .05W F TC=0+-100	24546	C3-1/8-T0-1002-F
A2A7R23	0898-7260	7		RESISTOR 10K 1% .05W F TC=0+-100	24546	C3-1/8-T0-1002-F
A2A7S1	3100-3364	2	1	SWITCH-ROTARY 18 PIN DIP 4PDT	28480	3100-3364
A2A7TP1	1251-0800	0		CONNECTOR-SGL CONT PIN 1.14-MM-BSC-SZ SQ	28480	1251-0800
A2A7TP2	1251-0800	0		CONNECTOR-SGL CONT PIN 1.14-MM-BSC-SZ SQ	28480	1251-0800
A2A7TP3	1251-0800	0		CONNECTOR-SGL CONT PIN 1.14-MM-BSC-SZ SQ	28480	1251-0800
A2A7TP4	1251-0800	0		CONNECTOR-SGL CONT PIN 1.14-MM-BSC-SZ SQ	28480	1251-0800
A2A7TP5	1251-0800	0		CONNECTOR-SGL CONT PIN 1.14-MM-BSC-SZ SQ	28480	1251-0800

†Refer to Section 7 for update information.

*Factory Selected Component (Refer to Section 5).

Table 6-3. Replaceable Parts

Reference Designation	HP Part Number	C D	Qty.	Description	Mfr. Code	Mfr. Part Number
A2A7TP6	1251-0600	0		CONNECTOR-SGL CONT PIN 1.14-MM-BSC-SZ SQ	28480	1251-0600
A2A7TP7	1251-0600	0		CONNECTOR-SGL CONT PIN 1.14-MM-BSC-SZ SQ	28480	1251-0600
A2A7TP8	1251-0600	0		CONNECTOR-SGL CONT PIN 1.14-MM-BSC-SZ SQ	28480	1251-0600
A2A7TP9	1251-0600	0		CONNECTOR-SGL CONT PIN 1.14-MM-BSC-SZ SQ	28480	1251-0600
A2A7TP10	1251-0600	0		CONNECTOR-SGL CONT PIN 1.14-MM-BSC-SZ SQ	28480	1251-0600
A2A7U1	1826-0191	3		IC COMPARATOR GP DUAL TO-100 PKG	27014	LM919H
A2A7U2	1820-1208	3		IC GATE TTL LS OR QUAD 2-INP	01295	SN74LS32N
A2A7U3	1820-1202	7		IC GATE TTL LS NAND TPL 3-INP	01295	SN74LS10N
A2A7U4	1820-2369	9	1	IC OSC TTL LS DUAL	01295	SN74LS629N
A2A7U5	1816-1693	1	1	IC TTL S16384 (16K) PROM 80-NS 3-3	18324	N82S191F
	1200-0541	1	19	SOCKET-IC 24-CONT DIP DIP-SLDR	28480	1200-0541
A2A7U6	1820-2024	3		IC DRVR TTL LS LINE DRVR OCTL	01295	SN74LS244N
A2A7U7	1820-1197	9		IC GATE TTL LS NAND QUAD 2-INP	01295	SN74LS00N
A2A7U8	1820-1201	6		IC GATE TTL LS AND QUAD 2-INP	01295	SN74LS08N
A2A7U9	1820-1199	1		IC INV TTL LS HEX 1-INP	01295	SN74LS04N
A2A7U10	1820-3929	9	1	IC MPU; CLK FREQ=2MHZ, W/INTNL CLK	28480	1820-3929
	1200-0654	7	1	SOCKET-IC 40-CONT DIP DIP-SLDR	28480	1200-0654
A2A7U11	1820-2075	4		IC TRANSCEIVER TTL LS BUS OCTL	28480	1820-2075
A2A7U12	1820-2024	3		IC DRVR TTL LS LINE DRVR OCTL	01295	SN74LS244N
A2A7U13	1820-1281	2		IC DCDR TTL LS 2-TO-4-LINE DUAL 2-INP	01295	SN74LS139N
A2A7U14	1820-1218	3		IC DCDR TTL LS 3-TO-8-LINE 3-INP	01295	SN74LS138N
A2A7U15	1820-1218	3		IC DCDR TTL LS 3-TO-8-LINE 3-INP	01295	SN74LS138N
A2A7U16	1820-1207	2		IC GATE TTL LS NAND 8-INP	01295	SN74LS30N
A2A7U17	1820-2024	3		IC DRVR TTL LS LINE DRVR OCTL	01295	SN74LS244N
A2A7U18	1820-1275	4	1	IC GATE TTL S NOR DUAL 5-INP	01295	SN74LS260N
A2A7U19	1820-2244	9	1	IC FF TTL LS D-TYPE POS-EDGE-TRIG COM	01295	SN74LS379N
A2A7U20	1820-1207	2		IC GATE TTL LS NAND 8-INP	01295	SN74LS30N
A2A7U21	1820-1199	1		IC INV TTL LS HEX 1-INP	01295	SN74LS04N
2234A TO 2535A						
A2A7Y1	0410-1184	4	1	CRYSTAL-QUARTZ 6.000 MHZ	28480	0410-1184
	0381-0026	6	1	RIVET	28480	0381-0026
	1400-0973	7	1	CLIP-CMPNT .139-.154-DIA STL	91508	6180-1A
2536A AND ABOVE						
A2A7Y1	0410-1292	5		CRYSTAL-QUARTZ 6 MHZ HC-18/U-HLDR	28480	0410-1292
	0381-0026	6	1	RIVET	28480	0381-0026
	1400-0973	7	1	CLIP-CMPNT .139-.154-DIA STL	91508	6180-1A

†Refer to Section 7 for update information.

*Factory Selected Component (Refer to Section 5).

Table 6-3. Replaceable Parts

Reference Designation	HP Part Number	C D	Qty.	Description	Mfr. Code	Mfr. Part Number
A2A8 †						
08663-60329 - SERIAL PREFIX 2234A TO 2536A						
A2A8	08663-60329	5	1	RAM/ROM ASSEMBLY	28480	08663-60329
A2ABC1	0160-0576	5		CAPACITOR-FXD .1UF +-20% 50VDC CER	28480	0160-0576
A2ABC2	0160-0576	5		CAPACITOR-FXD .1UF +-20% 50VDC CER	28480	0160-0576
A2ABC3	0160-0576	5		CAPACITOR-FXD .1UF +-20% 50VDC CER	28480	0160-0576
A2ABC4	0160-0576	5		CAPACITOR-FXD .1UF +-20% 50VDC CER	28480	0160-0576
A2ABC5	0160-0576	5		CAPACITOR-FXD .1UF +-20% 50VDC CER	28480	0160-0576
A2ABC6	0160-0576	5		CAPACITOR-FXD .1UF +-20% 50VDC CER	28480	0160-0576
A2ABC7	0160-0576	5		CAPACITOR-FXD .1UF +-20% 50VDC CER	28480	0160-0576
A2ABC8	0160-0576	5		CAPACITOR-FXD .1UF +-20% 50VDC CER	28480	0160-0576
A2ABC9	0160-0576	5		CAPACITOR-FXD .1UF +-20% 50VDC CER	28480	0160-0576
A2ABC10	0160-0576	5		CAPACITOR-FXD .1UF +-20% 50VDC CER	28480	0160-0576
A2ABC11	0160-0576	5		CAPACITOR-FXD .1UF +-20% 50VDC CER	28480	0160-0576
A2ABC12	0180-2620	6		CAPACITOR-FXD 2.2UF+-10% 50VDC TA	25088	D2R2GS1B50K
A2ABC13	0180-2620	6		CAPACITOR-FXD 2.2UF+-10% 50VDC TA	25088	D2R2GS1B50K
A2ABC14	0180-2620	6		CAPACITOR-FXD 2.2UF+-10% 50VDC TA	25088	D2R2GS1B50K
A2ABC15	0180-2620	6		CAPACITOR-FXD 2.2UF+-10% 50VDC TA	25088	D2R2GS1B50K
A2ABMP1	4040-0747	2	1	EXTR-PC BD GRA POLYC .062-BD-THKNS	28480	4040-0747
	1480-0073	6		PIN-ROLL .062-IN-DIA .25-IN-LG BE-CU	28480	1480-0073
A2ABMP2	4040-0748	3		EXTR-PC BD BLK POLYC .062-BD-THKNS	28480	4040-0748
	1480-0073	6		PIN-ROLL .062-IN-DIA .25-IN-LG BE-CU	28480	1480-0073
A2ABR1	1810-0279	5		NETWORK-RES 10-SIP4.7K OHM X 3	01121	210A472
<i>2214A TO 2248A</i>						
A2ABU1	08663-80005	6	1	EPROM	28480	08663-80005
	1200-0541	1		SOCKET-IC 24-CONT DIP DIP-SLDR	28480	1200-0541
A2ABU2	08663-80006	7	1	EPROM	28480	08663-80006
	1200-0541	1		SOCKET-IC 24-CONT DIP DIP-SLDR	28480	1200-0541
A2ABU3	08663-80007	6	1	EPROM	28480	08663-80007
	1200-0541	1		SOCKET-IC 24-CONT DIP DIP-SLDR	28480	1200-0541
A2ABU4	08663-80008	9	1	EPROM	28480	08663-80008
	1200-0541	1		SOCKET-IC 24-CONT DIP DIP-SLDR	28480	1200-0541
A2ABU5	08663-80009	0	1	EPROM	28480	08663-80009
	1200-0541	1		SOCKET-IC 24-CONT DIP DIP-SLDR	28480	1200-0541
A2ABU6	08663-80010	3	1	EPROM	28480	08663-80010
	1200-0541	1		SOCKET-IC 24-CONT DIP DIP-SLDR	28480	1200-0541
<i>2313A TO 2536A</i>						
A2ABU1	08663-80024	9	1	EPROM PROG ROM 1	28480	08663-80024
	1200-0541	1		SOCKET-IC 24-CONT DIP DIP-SLDR	28480	1200-0541
A2ABU2	08663-80025	0	1	EPROM PROG ROM 2	28480	08663-80025
	1200-0541	1		SOCKET-IC 24-CONT DIP DIP-SLDR	28480	1200-0541
A2ABU3	08663-80026	1	1	EPROM PROG ROM 3	28480	08663-80026
	1200-0541	1		SOCKET-IC 24-CONT DIP DIP-SLDR	28480	1200-0541
A2ABU4	08663-80027	2	1	EPROM PROG ROM 4	28480	08663-80027
	1200-0541	1		SOCKET-IC 24-CONT DIP DIP-SLDR	28480	1200-0541
A2ABU5	08663-80028	3	1	EPROM PROG ROM 5	28480	08663-80028
	1200-0541	1		SOCKET-IC 24-CONT DIP DIP-SLDR	28480	1200-0541
A2ABU6	08663-80029	4	1	EPROM PROG ROM 6	28480	08663-80029
	1200-0541	1		SOCKET-IC 24-CONT DIP DIP-SLDR	28480	1200-0541

† Refer to Section 7 for update information.

* Factory Selected Component (Refer to Section 5.)

Table 6-3. Replaceable Parts

Reference Designation	HP Part Number	C D	Qty.	Description	Mfr. Code	Mfr. Part Number
A2A8 †						
08663-60329 - SERIAL PREFIX 2234A TO 2536A						
A2A8U7	1820-1197	9		IC GATE TTL LS NAND QUAD 2-INP	01295	SN74LS00N
A2A8U8	1820-1218	3		IC DCDR TTL LS 3-TO-8-LINE 3-INP	01295	SN74LS139N
A2A8U9	1820-1207	2		IC GATE TTL LS NAND 8-INP	01295	SN74LS30N
A2A8U10	1818-0443	1	4	IC NMOS 4096 (4K) STAT RAM 300-NS 3-S	S0545	UPD2114LC-1
A2A8U11	1818-0443	1		IC NMOS 4096 (4K) STAT RAM 300-NS 3-S	S0545	UPD2114LC-1
A2A8U12	1818-0443	1		IC NMOS 4096 (4K) STAT RAM 300-NS 3-S	S0545	UPD2114LC-1
A2A8U13	1818-0443	1		IC NMOS 4096 (4K) STAT RAM 300-NS 3-S	S0545	UPD2114LC-1
A2A8U14	1820-1202	7		IC GATE TTL LS NAND TPL 3-INP	01295	SN74LS10N
A2A8U15	1820-1281	2		IC DCDR TTL LS 2-TO-4-LINE DUAL 2-INP	01295	SN74LS139N
A2A8U16	1820-1207	2		IC GATE TTL LS NAND 8-INP	01295	SN74LS30N
A2A8U17	1820-1917	1		IC DRVR TTL LS LINE DRVR OCTL	01295	SN74LS240N
A2A8U18	1820-2024	3		IC DRVR TTL LS LINE DRVR OCTL	01295	SN74LS244N
A2A8U19	1820-2024	3		IC DRVR TTL LS LINE DRVR OCTL	01295	SN74LS244N
A2A8U20	1820-2075	4		IC TRANSCEIVER TTL LS BUS OCTL	28480	1820-2075

† Refer to Section 7 for update information.

* Factory Selected Component (Refer to Section 5.)

Table 6-3. Replaceable Parts

Reference Designation	HP Part Number	C D	Qty.	Description	Mfr. Code	Mfr. Part Number
A2A8 †						
08663-60365 - SERIAL PREFIX 2537A AND ABOVE						
A2A8	08663-60365	4		RAM/ROM ASSEMBLY	28480	08663-60365
A8A2BT1	1420-0281	2		BATTERY 2.8V .48A-HR U/S-DIOX PIN	28480	1420-0281
A2A8C1	0180-0116	1	3	CAPACITOR-FXD 6.8UF +10% 35VDC TA	58289	150D68549035B2
A2A8C2	0180-0116	1		CAPACITOR-FXD 6.8UF +10% 35VDC TA	58289	150D68549035B2
A2A8C3	0180-0116	1		CAPACITOR-FXD 6.8UF +10% 35VDC TA	58289	150D68549035B2
A2A8C4	0160-4835	7	10	CAPACITOR-FXD .1UF +10% 50VDC CER	28480	0160-4835
A2A8C5	0160-4835	7		CAPACITOR-FXD .1UF +10% 50VDC CER	28480	0160-4835
A2A8C6	0160-4835	7		CAPACITOR-FXD .1UF +10% 50VDC CER	28480	0160-4835
A2A8C7	0160-4835	7		CAPACITOR-FXD .1UF +10% 50VDC CER	28480	0160-4835
A2A8C8	0160-4835	7		CAPACITOR-FXD .1UF +10% 50VDC CER	28480	0160-4835
A2A8C9	0160-4835	7		CAPACITOR-FXD .1UF +10% 50VDC CER	28480	0160-4835
A2A8C10	0160-4835	7		CAPACITOR-FXD .1UF +10% 50VDC CER	28480	0160-4835
A2A8C11	0160-4835	7		CAPACITOR-FXD .1UF +10% 50VDC CER	28480	0160-4835
A2A8C12	0160-4835	7		CAPACITOR-FXD .1UF +10% 50VDC CER	28480	0160-4835
A2A8C13	0160-4835	7		CAPACITOR-FXD .1UF +10% 50VDC CER	28480	0160-4835
A2A8L1	9100-3922	4	1	INDUCTOR-FIXED 120-1300HZ	28480	9100-3922
A2A8MP1	4040-0748	3		EXTR-PC BC BLK POLYC .082-BD-THKNS	28480	4040-0748
	1480-0116	8		PIN GRV .082-IN-DIA .25-IN-LG STL	28480	1480-0116
A2A8MP2	4040-0747	2		EXTR-PC BC GRA POLYC .082-BD-THKNS	28480	4040-0747
	1480-0116	8		PIN GRV .082-IN-DIA .25-IN-LG STL	28480	1480-0116
A2A8R1	1810-0279	5		NETWORK-RES 10-SIP4.7K OHMX9	01121	210A472
A2A8R2	1810-0279	5		NETWORK-RES 10-SIP4.7K OHMX9	01121	210A472
A2A8R3	1810-0279	5		NETWORK-RES 10-SIP4.7K OHMX9	01121	210A472
A2A8TP1	0380-0535	0		TERMINAL TEST POINT PCB	00000	ORDER BY DESCRIPTION
<i>2537A to 2918A</i>						
A2A8U1	08662-80040	9	1	UV PROGRAMMED ROM	28480	08663-80040
<i>2927A and above</i>						
A2A8U1	08662-87007	2	1	UV PROGRAMMED ROM	28480	08663-87007
A2A8U2	08662-80082	4	1	UV PROGRAMMED ROM	28480	08663-80082
A2A8U3	1LJ8-0001	8	1	IC CMOS 16384 (16K) STAT RAM 250-NS 3-S	28480	1LJ8-0001
A2A8U4	1820-2913	9	1	IC RCVR TTL ALS OCTL	01295	SN74ALS245N
A2A8U5	1820-2857	9	3	IC GATE TTL ALS OR QUAD 2-INP	01295	SN74ALS32N
A2A8U6	1820-1202	7	1	IC GATE TTL LS NAND TPL 3-INP	01295	SN74ALS10N
A2A8U7	1820-2857	9		IC GATE TTL ALS OR QUAD 2-INP	01295	SN74ALS32N
A2A8U8	1820-2857	9		IC GATE TTL ALS OR QUAD 2-INP	01295	SN74ALS32N
A2A8U9	1820-2856	7	1	IC GATE TTL ALS NAND QUAD 2-INP	01295	SN74ALS00N
A2A8U10	1820-1441	6	1	IC ADDER TTL LS BIN FULL ADDR 4-BIT	01295	SN74LS283N

†Refer to Section 7 for update information.

*Factory Selected Component (Refer to Section 5).

Δ Errata part change.

Table 6-3. Replaceable Parts

Reference Designation	HP Part Number	C D	Qty.	Description	Mfr. Code	Mfr. Part Number
A2A9 †						
08663-60331 - SERIAL PREFIX 2234A TO 2248A						
A2A9	08663-60331	9	1	ROM ASSEMBLY	28480	08663-60331
A2A9C1	0180-2617	1		CAPACITOR-FXD 6.8UF+-10% 35VDC TA	25088	D6R8GS1B35K
A2A9C2	0180-2617	1		CAPACITOR-FXD 6.8UF+-10% 35VDC TA	25088	D6R8GS1B35K
A2A9C3	0180-2617	1		CAPACITOR-FXD 6.8UF+-10% 35VDC TA	25088	D6R8GS1B35K
A2A9C4	0180-2617	1		CAPACITOR-FXD 6.8UF+-10% 35VDC TA	25088	D6R8GS1B35K
A2A9C14	0180-3879	7		CAPACITOR-FXD .01UF +-20% 100VDC CER	28480	0180-3879
A2A9C15	0180-0197	8		CAPACITOR-FXD 2.2UF+-10% 20VDC TA	56269	150D225X5020A2
A2A9MP1	4040-0756	3	1	EXTR-PC BD WHT POLYC .062-BD-THKNS	28480	4040-0756
	1480-0073	6		PIN-ROLL .062-IN-DIA .25-IN-LG BE-CU	28480	1480-0073
A2A9MP2	4040-0748	3		EXTR-PC BD BLK POLYC .062-BD-THKNS	28480	4040-0748
	1480-0073	6		PIN-ROLL .062-IN-DIA .25-IN-LG BE-CU	28480	1480-0073
A2A9R1	0898-7260	7		RESISTOR 10K 1% .05W F TC=0+-100	24546	C3-1/8-T0-1002-F
A2A9R2	0898-7260	7		RESISTOR 10K 1% .05W F TC=0+-100	24546	C3-1/8-T0-1002-F
A2A9R3	0898-7260	7		RESISTOR 10K 1% .05W F TC=0+-100	24546	C3-1/8-T0-1002-F
A2A9R4	0898-7260	7		RESISTOR 10K 1% .05W F TC=0+-100	24546	C3-1/8-T0-1002-F
A2A9R5	0898-7260	7		RESISTOR 10K 1% .05W F TC=0+-100	24546	C3-1/8-T0-1002-F
A2A9R6	0898-7260	7		RESISTOR 10K 1% .05W F TC=0+-100	24546	C3-1/8-T0-1002-F
A2A9R7	0898-7260	7		RESISTOR 10K 1% .05W F TC=0+-100	24546	C3-1/8-T0-1002-F
A2A9R8	0898-7260	7		RESISTOR 10K 1% .05W F TC=0+-100	24546	C3-1/8-T0-1002-F
A2A9R9	0898-7260	7		RESISTOR 10K 1% .05W F TC=0+-100	24546	C3-1/8-T0-1002-F
A2A9R10	0898-7260	7		RESISTOR 10K 1% .05W F TC=0+-100	24546	C3-1/8-T0-1002-F
A2A9U1				NOT LOADED		
	1200-0541	1		SOCKET-IC 24-CONT DIP DIP-SLDR	28480	1200-0541
2234A TO 2248A						
A2A9U2	08663-80020	5	1	EPROM	28480	08663-80020
	1200-0541	1		SOCKET-IC 24-CONT DIP DIP-SLDR	28480	1200-0541
A2A9U3	08663-80016	8	1	EPROM	28480	08663-80016
	1200-0541	1		SOCKET-IC 24-CONT DIP DIP-SLDR	28480	1200-0541
A2A9U4	08663-80017	0	1	EPROM	28480	08663-80017
	1200-0541	1		SOCKET-IC 24-CONT DIP DIP-SLDR	28480	1200-0541
A2A9U5	08663-80011	4	1	EPROM	28480	08663-80011
	1200-0541	1		SOCKET-IC 24-CONT DIP DIP-SLDR	28480	1200-0541
A2A9U6	08663-80013	6	1	EPROM	28480	08663-80013
	1200-0541	1		SOCKET-IC 24-CONT DIP DIP-SLDR	28480	1200-0541
2213A TO 2216A						
A2A9U2	08663-80039	6	1	EPROM PROG ROM 16	28480	08663-80039
	1200-0541	1		SOCKET-IC 24-CONT DIP DIP-SLDR	28480	1200-0541
A2A9U3	08663-80035	2	1	EPROM PROG ROM 12	28480	08663-80035
	1200-0541	1		SOCKET-IC 24-CONT DIP DIP-SLDR	28480	1200-0541
A2A9U4	08663-80036	3	1	EPROM PROG ROM 13	28480	08663-80036
A2A9U5	08663-80030	7	1	EPROM PROG ROM 7	28480	08663-80030
	1200-0541	1		SOCKET-IC 24-CONT DIP DIP-SLDR	28480	1200-0541
A2A9U6	08663-80032	9	1	EPROM PROG ROM 9	28480	08663-80032
	1200-0541	1		SOCKET-IC 24-CONT DIP DIP-SLDR	28480	1200-0541
A2A9U7	08663-80021	6	1	EPROM	28480	08663-80021
	1200-0541	1		SOCKET-IC 24-CONT DIP DIP-SLDR	28480	1200-0541

† Refer to Section 7 for update information.

* Factory Selected Component (Refer to Section 5.)

Table 6-3. Replaceable Parts

Reference Designation	HP Part Number	C D	Qty.	Description	Mfr. Code	Mfr. Part Number
A2A9 †						
08663-60331 - SERIAL PREFIX 2234A TO 2248A						
<i>2234A TO 2248A</i> A2A9U5	08663-80018 1200-0541	2 1	1	EPROM SOCKET-IC 24-CONT DIP DIP-SLDR	28480 28480	08663-80019 1200-0541
A2A9U9	08663-80015 1200-0541	5 1	1	EPROM SOCKET-IC 24-CONT DIP DIP-SLDR	28480 28480	08663-80015 1200-0541
A2A9U10	08663-80018 1200-0541	1 1	1	EPROM SOCKET-IC 24-CONT DIP DIP-SLDR	28480 28480	08663-80019 1200-0541
A2A9U11	08663-80012 1200-0541	5 1	1	EPROM SOCKET-IC 24-CONT DIP DIP-SLDR	28480 28480	08663-80012 1200-0541
A2A9U12	08663-80014 1200-0541	7 1	1	EPROM SOCKET-IC 24-CONT DIP DIP-SLDR	28480 28480	08663-80014 1200-0541
<i>2313A TO 2336A</i> A2A9U8	08663-80038 1200-0541	5 1	1	EPROM PROG ROM 15 SOCKET-IC 24-CONT DIP DIP-SLDR	28480 28480	08663-80038 1200-0541
A2A9U9	08663-80034 1200-0541	1 1	1	EPROM PROG ROM 11 SOCKET-IC 24-CONT DIP DIP-SLDR	28480 28480	08663-80034 1200-0541
A2A9U10	08663-80037 1200-0541	4 1	1	EPROM PROG ROM 14 SOCKET-IC 24-CONT DIP DIP-SLDR	28480 28480	08663-80037 1200-0541
A2A9U11	08663-80031 1200-0541	8 1	1	EPROM PROG ROM 8 SOCKET-IC 24-CONT DIP DIP-SLDR	28480 28480	08663-80031 1200-0541
A2A9U12	08663-80033 1200-0541	0 1	1	EPROM PROG ROM 10 (ALSO REPLACE A2A9U1-8, A2A9U2-6 A2A9U8-11) SOCKET-IC 24-CONT DIP DIP-SLDR	28480 28480	08663-80033 1200-0541
A2A9U13	1820-1216	3		IC DCDR TTL LS 3-TO-8-LINE 3-INP	01295	SN74LS138N
A2A9U14	1820-1216	3		IC DCDR TTL LS 3-TO-8-LINE 3-INP	01295	SN74LS138N
A2A9U15	1820-2024	3		IC DRVR TTL LS LINE DRVR OCTL	01295	SN74LS244N
A2A9U16	1820-1205	0	1	IC GATE TTL LS AND DUAL 4-INP	01295	SN74LS21N
A2A9U17	1820-1216	3		IC DCDR TTL LS 3-TO-8-LINE 3-INP	01295	SN74LS138N
A2A9U18	1820-2024	3		IC DRVR TTL LS LINE DRVR OCTL	01295	SN74LS244N
A2A9U19	1820-2024	3		IC DRVR TTL LS LINE DRVR OCTL	01295	SN74LS244N
A2A9U20	1820-2024	3		IC DRVR TTL LS LINE DRVR OCTL	01295	SN74LS244N

† Refer to Section 7 for update information.

* Factory Selected Component (Refer to Section 5.)

Table 6-3. Replaceable Parts

Reference Designation	HP Part Number	C D	Qty.	Description	Mfr. Code	Mfr. Part Number
A2A10						
A2A10	08663-60335	3	1	LEVEL ASSEMBLY	28480	08663-60335
A2A10C1	0180-2620	6		CAPACITOR-FXD 2.2UF+-10% 50VDC TA	25088	D2R2GS1B50K
A2A10C2	0180-2620	6		CAPACITOR-FXD 2.2UF+-10% 50VDC TA	25088	D2R2GS1B50K
A2A10C3	0180-2620	6		CAPACITOR-FXD 2.2UF+-10% 50VDC TA	25088	D2R2GS1B50K
A2A10C4	0180-2620	6		CAPACITOR-FXD 2.2UF+-10% 50VDC TA	25088	D2R2GS1B50K
A2A10C5	0180-2620	6		CAPACITOR-FXD 2.2UF+-10% 50VDC TA	25088	D2R2GS1B50K
A2A10C6	0180-2620	6		CAPACITOR-FXD 2.2UF+-10% 50VDC TA	25088	D2R2GS1B50K
A2A10MP1	4040-0748	3		EXTR-PC BD BLK POLYC .062-BD-THKNS	28480	4040-0748
	1480-0073	6		PIN-ROLL .062-IN-DIA .25-IN-LG BE-CU	28480	1480-0073
A2A10MP2	4040-0748	3		EXTR-PC BD BLK POLYC .062-BD-THKNS	28480	4040-0748
	1480-0073	6		PIN-ROLL .062-IN-DIA .25-IN-LG BE-CU	28480	1480-0073
A2A10R1	0698-6360	6	1	RESISTOR 10K .1% .125W F TC=0+-25	28480	0698-6360
A2A10R2	1810-0367	2		NETWORK-RES 6-SIP4.7K OHM X 5	01121	206A472
A2A10R3	1810-0367	2		NETWORK-RES 6-SIP4.7K OHM X 5	01121	206A472
A2A10R4	0698-7219	6		RESISTOR 196 1% .05W F TC=0+-100	24546	C3-1/B-TO-196R-F
A2A10R5	0698-7219	6		RESISTOR 196 1% .05W F TC=0+-100	24546	C3-1/B-TO-196R-F
A2A10R6	0698-7219	6		RESISTOR 196 1% .05W F TC=0+-100	24546	C3-1/B-TO-196R-F
A2A10U1	1820-1216	3		IC DCDR TTL LS 3-TO-8-LINE 3-INP	01295	SN74LS138N
A2A10U2	1820-2024	3		IC DRVR TTL LS LINE DRVR OCTL	01295	SN74LS244N
A2A10U3	1820-2024	3		IC DRVR TTL LS LINE DRVR OCTL	01295	SN74LS244N
A2A10U4	1820-2024	3		IC DRVR TTL LS LINE DRVR OCTL	01295	SN74LS244N
A2A10U5	1820-2024	3		IC DRVR TTL LS LINE DRVR OCTL	01295	SN74LS244N
A2A10U6	1820-2024	3		IC DRVR TTL LS LINE DRVR OCTL	01295	SN74LS244N
A2A10U7	1820-2024	3		IC DRVR TTL LS LINE DRVR OCTL	01295	SN74LS244N
A2A10U8	1820-1204	9		IC GATE TTL LS NAND DUAL 4-INP	01295	SN74LS20N
A2A10U9	1820-1216	3		IC DCDR TTL LS 3-TO-8-LINE 3-INP	01295	SN74LS138N
A2A10U10	1820-1858	9		IC FF TTL LS D-TYPE OCTL	01295	SN74LS377N
A2A10U11	1820-1858	9		IC FF TTL LS D-TYPE OCTL	01295	SN74LS377N
A2A10U12	1820-1858	9		IC FF TTL LS D-TYPE OCTL	01295	SN74LS377N
A2A10U13	1820-1858	9		IC FF TTL LS D-TYPE OCTL	01295	SN74LS377N
A2A10U14	1820-1858	9		IC FF TTL LS D-TYPE OCTL	01295	SN74LS377N
A2A10U15	1820-1858	9		IC FF TTL LS D-TYPE OCTL	01295	SN74LS377N
A2A10U16	1820-2075	4		IC TRANSCEIVER TTL LS BUS OCTL	28480	1820-2075

† Refer to Section 7 for update information.

* Factory Selected Component (Refer to Section 5.)

Table 4-3. Replaceable Parts

A2A11

A2A11	08663-60340	0	1	DCU SECTION MOTHERBOARD	28480	08663-60340
A2A11C1	0160-3879	7		CAPACITOR-FXD .01UF + -20% 100VDC CER	28480	0160-3879
A2A11C2	0160-3879	7		CAPACITOR-FXD .01UF + -20% 100VDC CER	28480	0160-3879
A2A11F1	2110-0063	2		FUSE .75A 250V NTD 1.25X.25 UL	28480	2110-0063
A2A11J1	1251-5314	3	3	CONNECTOR 50-PIN POST SERIES	28480	1251-5314
A2A11J2	1251-5316	6	2	CONNECTOR 34-PIN POST SERIES	28480	1251-5316
A2A11J3	1200-0507	8		SOCKET-IC 16-CONT DIP-SLDR	28480	1200-0507
A2A11J5	1200-0508	0	4	SOCKET-IC 14-CONT DIP-SLDR	28480	1200-0508
A2A11J6	1251-5314	3		CONNECTOR 50-PIN POST SERIES	28480	1251-5314
A2A11J7	1251-5316	6		CONNECTOR 34-PIN POST SERIES	28480	1251-5316
A2A11J8	1251-5314	3		CONNECTOR 50-PIN POST SERIES	28480	1251-5314
2234A TO 2601A A2A11J9	1251-5315	4		CONNECTOR 40-PIN POST SERIES	28480	1251-5315
2602A AND ABOVE A2A11J0	1252-0393	0		CONN-POST TYPE .100-PIN-SPCG 40-CONT	28480	1252-0393
	1251-5595	2		POLARIZING KEY POST CONN	28480	1251-5595
A2A11J10	1200-0508	0		SOCKET-IC 14-CONT DIP-SLDR	28480	1200-0508
2234A TO 2601A A2A11J11	1251-7034	8	1	CONNECTOR 40-PIN M POST TYPE	28480	1251-7034
2602A AND ABOVE A2A11J11	1252-1345	4		CONN-POST TYPE 40-CONT	28480	1251-1345
	1251-5595	2		POLARIZING KEY POST CONN	28480	1251-5595
A2A11J12	1200-0508	0		SOCKET-IC 14-CONT DIP-SLDR	28480	1200-0508
2234A TO 2601A A2A11J13	1251-5151	6	1	CONNECTOR 26-PIN M POST TYPE	28480	1251-5151
2602A AND ABOVE A2A11J13	1252-1335	2		CONN-POST TYPE 26-CONT	28480	1251-1335
	1251-5595	2		POLARIZING KEY POST CONN	28480	1251-5595
A2A11J14	1200-0508	0		SOCKET-IC 14-CONT DIP-SLDR	28480	1200-0508
A2A11MP1 ^Δ	0360-0090	2	4	TERMINAL-STUD SGL-TUR PRESS-MTG	01461	1601-HP-2
A2A11MP2 ^Δ	0360-0090	2		TERMINAL-STUD SGL-TUR PRESS-MTG	01461	1601-HP-2
A2A11MP3 ^Δ	0360-0090	2		TERMINAL-STUD SGL-TUR PRESS-MTG	01461	1601-HP-2
A2A11MP4 ^Δ	0360-0090	2		TERMINAL-STUD SGL-TUR PRESS-MTG	01461	1601-HP-2
A2A11MP5	3160-0092	3		FINGER GUARD, FAN GRILLE	28480	3160-0092
A2A11TP1	1251-0600	0		CONNECTOR-SGL CONT PIN 1.14-MM-BSC-SZ SQ	28480	1251-0600
A2A11TP2	1251-0600	0		CONNECTOR-SGL CONT PIN 1.14-MM-BSC-SZ SQ	28480	1251-0600
A2A11TP3	1251-0600	0		CONNECTOR-SGL CONT PIN 1.14-MM-BSC-SZ SQ	28480	1251-0600
A2A11TP4	1251-0600	0		CONNECTOR-SGL CONT PIN 1.14-MM-BSC-SZ SQ	28480	1251-0600
A2A11XA1A	1251-2026	8	21	CONNECTOR-PC EDGE 18-CONT/ROW 2-ROWS	28480	1251-2026
A2A11XA1B	1251-2026	8		CONNECTOR-PC EDGE 18-CONT/ROW 2-ROWS	28480	1251-2026
A2A11XA2A	1251-2026	8		CONNECTOR-PC EDGE 18-CONT/ROW 2-ROWS	28480	1251-2026
A2A11XA2B	1251-2026	8		CONNECTOR-PC EDGE 18-CONT/ROW 2-ROWS	28480	1251-2026
A2A11XA3A	1251-2026	8		CONNECTOR-PC EDGE 18-CONT/ROW 2-ROWS	28480	1251-2026
A2A11XA3B	1251-2026	8		CONNECTOR-PC EDGE 18-CONT/ROW 2-ROWS	28480	1251-2026
A2A11XA4A	1251-2026	8		CONNECTOR-PC EDGE 18-CONT/ROW 2-ROWS	28480	1251-2026
A2A11XA4B	1251-2026	8		CONNECTOR-PC EDGE 18-CONT/ROW 2-ROWS	28480	1251-2026
A2A11XA5A	1251-2026	8		CONNECTOR-PC EDGE 18-CONT/ROW 2-ROWS	28480	1251-2026
A2A11XA5B	1251-2026	8		CONNECTOR-PC EDGE 18-CONT/ROW 2-ROWS	28480	1251-2026

Table 4-3. Replaceable Parts

A2A11XA6A	1251-2028	8	CONNECTOR-PC EDGE 18-CONT/ROW 2-ROWS	28480	1251-2028
A2A11XA8B	1251-2028	8	CONNECTOR-PC EDGE 18-CONT/ROW 2-ROWS	28480	1251-2028
A2A11XA7A	1251-2028	8	CONNECTOR-PC EDGE 18-CONT/ROW 2-ROWS	28480	1251-2028
A2A11XA7B	1251-2028	8	CONNECTOR-PC EDGE 18-CONT/ROW 2-ROWS	28480	1251-2028
A2A11XA8A	1251-2028	8	CONNECTOR-PC EDGE 18-CONT/ROW 2-ROWS	28480	1251-2028
A2A11XA8B	1251-2028	8	CONNECTOR-PC EDGE 18-CONT/ROW 2-ROWS	28480	1251-2028
A2A11XA9A	1251-2028	8	CONNECTOR-PC EDGE 18-CONT/ROW 2-ROWS	28480	1251-2028
A2A11XA9B	1251-2028	8	CONNECTOR-PC EDGE 18-CONT/ROW 2-ROWS	28480	1251-2028
A2A11XA10A	1251-2028	8	CONNECTOR-PC EDGE 18-CONT/ROW 2-ROWS	28480	1251-2028
A2A11XA10B	1251-2028	8	CONNECTOR-PC EDGE 18-CONT/ROW 2-ROWS	28480	1251-2028

Table 6-3. Replaceable Parts

Reference Designation	HP Part Number	C D	Qty.	Description	Mfr. Code	Mfr. Part Number
A2 MISC						
A2BT1	08672-60092	0		BATTERY PACK ASSEMBLY	28480	08672-60092
A2MP1	08663-00028	5		CAGE, PC BOARDS	28480	08663-00028
A2MP2	08662-20010	6	1	GUIDE SUPPORT	28480	08662-20010
	2200-0103	2	1	SCREW-MACH 4-40 .25-IN-LG PAN-HD-POZI	04771	ORDER BY DESCRIPTION
A2MP3	0380-0555	6		STANDOFF-HEX .312-IN-LG 6-32-THD	02121	8863-6-6/16-3A
A2MP4	2190-0008	4		WASHER-LK INTL T NO. 8 .188-IN-ID	02440	820-BC
A2MP5	2360-0113	2		SCREW-MACH 6-32 .25-IN-LG PAN-HD-POZI	05610	ORDER BY DESCRIPTION
A2MP6	2260-0009	3		NUT-HEX-W/LKWR 4-40-THD .094-IN-THK	04805	511-041800-00-0280-2580
A2MP7				NOT ASSIGNED		
A2MP8	08672-00009	3		BATTERY PACK SUPPORT	28480	08672-00009
A2MP9	85680-00054	6		BATTERY PACK CLAMP	28480	85680-00054
A7MP10	08663-00128	5		BATTERY HOLDER ASSEMBLY	28480	08663-00128

Table 6-3. Replaceable Parts

Reference Designation	HP Part Number	C D	Qty.	Description	Mfr. Code	Mfr. Part Number
A3A3						
A3A3	08663-80309	1	1	N LOOP DIVIDER/PHASE DETECTOR ASSEMBLY	28480	08663-80309
A3A3C1	0160-3878	6		CAPACITOR-FXD 1000PF +20% 100VDC CER	28480	0160-3878
A3A3C2	0160-3878	6		CAPACITOR-FXD 1000PF +20% 100VDC CER	28480	0160-3878
A3A3C3	0160-3878	6		CAPACITOR-FXD 1000PF +20% 100VDC CER	28480	0160-3878
A3A3C4	0160-3878	6		CAPACITOR-FXD 1000PF +20% 100VDC CER	28480	0160-3878
A3A3C5	0160-3878	6		CAPACITOR-FXD 1000PF +20% 100VDC CER	28480	0160-3878
A3A3C6	0160-3878	6		CAPACITOR-FXD 1000PF +20% 100VDC CER	28480	0160-3878
A3A3C7	0160-3878	6		CAPACITOR-FXD 1000PF +20% 100VDC CER	28480	0160-3878
A3A3C8	0160-3878	6		CAPACITOR-FXD 1000PF +20% 100VDC CER	28480	0160-3878
A3A3C9	0160-0558	5	1	CAPACITOR-FXD 470UF+20% 10VDC TA	56289	150D477X0010S2
A3A3C10	0160-3879	7		CAPACITOR-FXD .01UF +20% 100VDC CER	28480	0160-3879
A3A3C11	0160-3878	6		CAPACITOR-FXD 1000PF +20% 100VDC CER	28480	0160-3878
A3A3C12	0160-3878	6		CAPACITOR-FXD 1000PF +20% 100VDC CER	28480	0160-3878
A3A3C13	0160-0578	5		CAPACITOR-FXD .1UF +20% 50VDC CER	28480	0160-0578
A3A3C14	0160-2817	1		CAPACITOR-FXD 6.8UF+10% 35VDC TA	25088	D6R8GS1B35K
A3A3C15	0160-3878	6		CAPACITOR-FXD 1000PF +20% 100VDC CER	28480	0160-3878
A3A3C16	0160-2820	6		CAPACITOR-FXD 2.2UF+10% 50VDC TA	25088	D2R2GS1B50K
A3A3C17	0160-3878	6		CAPACITOR-FXD 1000PF +20% 100VDC CER	28480	0160-3878
A3A3C18	0160-3878	6		CAPACITOR-FXD 1000PF +20% 100VDC CER	28480	0160-3878
A3A3C19	0160-3878	6		CAPACITOR-FXD 1000PF +20% 100VDC CER	28480	0160-3878
A3A3C20	0160-3878	6		CAPACITOR-FXD 1000PF +20% 100VDC CER	28480	0160-3878
A3A3C21	0160-3878	6		CAPACITOR-FXD 1000PF +20% 100VDC CER	28480	0160-3878
A3A3C22	0160-3878	6		CAPACITOR-FXD 1000PF +20% 100VDC CER	28480	0160-3878
A3A3C23	0160-3878	6		CAPACITOR-FXD 1000PF +20% 100VDC CER	28480	0160-3878
A3A3C24	0160-3878	6		CAPACITOR-FXD 1000PF +20% 100VDC CER	28480	0160-3878
A3A3C25	0160-3879	7		CAPACITOR-FXD .01UF +20% 100VDC CER	28480	0160-3879
A3A3C26	0160-3878	6		CAPACITOR-FXD 1000PF +20% 100VDC CER	28480	0160-3878
A3A3C27	0160-3879	7		CAPACITOR-FXD .01UF +20% 100VDC CER	28480	0160-3879
A3A3C28	0160-3879	7		CAPACITOR-FXD .01UF +20% 100VDC CER	28480	0160-3879
A3A3C29	0160-3879	7		CAPACITOR-FXD .01UF +20% 100VDC CER	28480	0160-3879
A3A3C30	0160-3878	6		CAPACITOR-FXD 1000PF +20% 100VDC CER	28480	0160-3878
A3A3C31	0160-3879	7		CAPACITOR-FXD .01UF +20% 100VDC CER	28480	0160-3879
A3A3C32	0160-3879	7		CAPACITOR-FXD .01UF +20% 100VDC CER	28480	0160-3879
A3A3C33	0160-3879	7		CAPACITOR-FXD .01UF +20% 100VDC CER	28480	0160-3879
A3A3C34	0160-3878	6		CAPACITOR-FXD 1000PF +20% 100VDC CER	28480	0160-3878
A3A3C35	0160-3879	7		CAPACITOR-FXD .01UF +20% 100VDC CER	28480	0160-3879
A3A3C36	0160-3879	7		CAPACITOR-FXD .01UF +20% 100VDC CER	28480	0160-3879
A3A3C37	0160-3879	7		CAPACITOR-FXD .01UF +20% 100VDC CER	28480	0160-3879
A3A3C38	0160-3879	7		CAPACITOR-FXD .01UF +20% 100VDC CER	28480	0160-3879
A3A3C39	0160-3879	7		CAPACITOR-FXD .01UF +20% 100VDC CER	28480	0160-3879
A3A3C40	0160-3879	7		CAPACITOR-FXD .01UF +20% 100VDC CER	28480	0160-3879
A3A3C41	0160-2205	1	1	CAPACITOR-FXD 120PF +5% 300VDC MICA	28480	0160-2205
A3A3C42	0140-0205	5	2	CAPACITOR-FXD 62PF +5% 300VDC MICA	72136	DM15E820J0300WV1CR
A3A3C43	0140-0205	5		CAPACITOR-FXD 62PF +5% 300VDC MICA	72136	DM15E820J0300WV1CR
A3A3C44	0121-0106	4	2	CAPACITOR-V TRMR-CER 9-35PF 200V PC-MTG	52763	304324 9/35PF N850
A3A3C45	0140-0210	2	5	CAPACITOR-FXD 270PF +5% 300VDC MICA	72136	DM15F271J0300WV1CR

†Refer to Section 7 for update information.

*Factory Selected Component (Refer to Section 5).

Table 6-3. Replaceable Parts

Reference Designation	HP Part Number	C D	Qty.	Description	Mfr. Code	Mfr. Part Number
A3A3C46	0140-0210	2		CAPACITOR-FXD 270PF +-5% 300VDC MICA	72136	DM15F271J0300WV1CR
A3A3C47	0160-3538	5	2	CAPACITOR-FXD 750PF +-5% 100VDC MICA	28480	0160-3538
A3A3C48	0160-3538	5		CAPACITOR-FXD 750PF +-5% 100VDC MICA	28480	0160-3538
A3A3C49	0140-0191	8	2	CAPACITOR-FXD 56PF +-5% 300VDC MICA	72136	DM15E560J0300WV1CR
A3A3C50	0140-0210	2		CAPACITOR-FXD 270PF +-5% 300VDC MICA	72136	DM15F271J0300WV1CR
A3A3C51	0140-0210	2		CAPACITOR-FXD 270PF +-5% 300VDC MICA	72136	DM15F271J0300WV1CR
A3A3C52	0121-0105	4		CAPACITOR-V TRMR-CER 9-35PF 200V PC-MTG	52763	304324 9/35PF N650
A3A3C53	0160-2199	2	1	CAPACITOR-FXD 30PF +-5% 300VDC MICA	28480	0160-2199
A3A3C54	0160-3878	6		CAPACITOR-FXD 1000PF +-20% 100VDC CER	28480	0160-3878
A3A3C55	0121-0446	6	3	CAPACITOR-V TRMR-CER 4.5-20PF 160V	28480	0121-0446
A3A3C56	0160-2259	5	1	CAPACITOR-FXD 12PF +-5% 500VDC CER 0+-30	28480	0160-2259
A3A3C57	0121-0446	6		CAPACITOR-V TRMR-CER 4.5-20PF 160V	28480	0121-0446
A3A3C58	0160-2306	3	2	CAPACITOR-FXD 27PF +-5% 300VDC MICA	28480	0160-2306
A3A3C59	0160-2264	2	4	CAPACITOR-FXD 20PF +-5% 500VDC CER 0+-30	28480	0160-2264
A3A3C60	0160-3068	6	2	CAPACITOR-FXD 1500PF +-5% 300VDC MICA	28480	0160-3068
A3A3C61	0160-3068	6		CAPACITOR-FXD 1500PF +-5% 300VDC MICA	28480	0160-3068
A3A3C62	0160-0573	2	3	CAPACITOR-FXD 4700PF +-20% 100VDC CER	28480	0160-0573
A3A3C63	0160-3878	6		CAPACITOR-FXD 1000PF +-20% 100VDC CER	28480	0160-3878
<i>2234A TO 2706A</i>						
A3A3CR1	1901-0518	8		DIODE-SM SIG SCHOTTKY	28480	1901-0518
A3A3CR2	1901-0518	8		DIODE-SM SIG SCHOTTKY	28480	1901-0518
A3A3CR3	1901-0518	8		DIODE-SM SIG SCHOTTKY	28480	1901-0518
A3A3CR4	1901-0518	8		DIODE-SM SIG SCHOTTKY	28480	1901-0518
<i>2716A AND ABOVE</i>						
A3A3CR1	1900-0089	6		DIODE-SM SIG SCHOTTKY	28480	1900-0089
A3A3CR2	1900-0089	6		DIODE-SM SIG SCHOTTKY	28480	1900-0089
A3A3CR3	1900-0089	6		DIODE-SM SIG SCHOTTKY	28480	1900-0089
A3A3CR4	1900-0089	6		DIODE-SM SIG SCHOTTKY	28480	1900-0089
A3A3CR5	1901-0040	1		DIODE-SWITCHING 30V 50MA 2NS DO-35	28480	1901-0040
A3A3CR6	1901-0040	1		DIODE-SWITCHING 30V 50MA 2NS DO-35	28480	1901-0040
A3A3CR7	1901-0040	1		DIODE-SWITCHING 30V 50MA 2NS DO-35	28480	1901-0040
A3A3CR8	1901-0040	1		DIODE-SWITCHING 30V 50MA 2NS DO-35	28480	1901-0040
A3A3CR9	1901-0040	1		DIODE-SWITCHING 30V 50MA 2NS DO-35	28480	1901-0040
A3A3CR10	1901-0040	1		DIODE-SWITCHING 30V 50MA 2NS DO-35	28480	1901-0040
A3A3CR11	1901-0040	1		DIODE-SWITCHING 30V 50MA 2NS DO-35	28480	1901-0040
A3A3CR12	1901-0040	1		DIODE-SWITCHING 30V 50MA 2NS DO-35	28480	1901-0040
A3A3DS1	1990-0328	3	3	LED-LAMP LUM-INT=300UCD IF=50MA-MAX	28480	5082-4444
A3A3E1	9170-0029	3	10	CORE-SHIELDING BEAD	28480	9170-0029
A3A3E2	9170-0029	3		CORE-SHIELDING BEAD	28480	9170-0029
A3A3J1	1250-1220	0	16	CONNECTOR-RF SMC M PC 50-OHM	28480	1250-1220
	2190-0124	4	17	WASHER-LK INTL T NO. 10 .195-IN-ID	28480	2190-0124
	2950-0078	9	16	NUT-HEX-D6L-CHAM 10-32-THD .067-IN-THK	28480	2950-0078
A3A3L1	9140-0144	0	25	INDUCTOR RF-CH-MLD 4.7UH 10% .105DX.26LG	28480	9140-0144
A3A3L2	9140-0335	1	1	INDUCTOR 110UH 15% .47DX 1.25LG Q=10	28480	9140-0335
A3A3L3	9140-0144	0		INDUCTOR RF-CH-MLD 4.7UH 10% .105DX.26LG	28480	9140-0144
A3A3L4	9100-1629	4	6	INDUCTOR RF-CH-MLD 47UH 5% .166DX.385LG	28480	9100-1629
A3A3L5	9140-0144	0		INDUCTOR RF-CH-MLD 4.7UH 10% .105DX.26LG	28480	9140-0144
A3A3L6	9140-0179	1	2	INDUCTOR RF-CH-MLD 22UH 10% .166DX.385LG	28480	9140-0179
A3A3L7	9140-0179	1		INDUCTOR RF-CH-MLD 22UH 10% .166DX.385LG	28480	9140-0179
A3A3L8	9140-0138	2	1	INDUCTOR RF-CH-MLD 180UH 5% .166DX.385LG	28480	9140-0138
A3A3L9	9140-0158	6	7	INDUCTOR RF-CH-MLD 1UH 10% .105DX.26LG	28480	9140-0158
A3A3L10	9140-0158	6		INDUCTOR RF-CH-MLD 1UH 10% .105DX.26LG	28480	9140-0158

†Refer to Section 7 for update information.

*Factory Selected Component (Refer to Section 5).

Table 6-3. Replaceable Parts

Reference Designation	HP Part Number	C D	Qty.	Description	Mfr. Code	Mfr. Part Number
A3A3L11	9140-0158	6		INDUCTOR RF-CH-MLD 1UH 10% .105DX.26LG	28480	9140-0158
A3A3L12	9140-0158	6		INDUCTOR RF-CH-MLD 1UH 10% .105DX.26LG	28480	9140-0158
A3A3L13	9100-1635	2	2	INDUCTOR RF-CH-MLD 91UH 5% .166DX.385LG	28480	9100-1635
A3A3L14	9140-0158	6		INDUCTOR RF-CH-MLD 1UH 10% .105DX.26LG	28480	9140-0158
A3A3L15	9140-0158	6		INDUCTOR RF-CH-MLD 1UH 10% .105DX.26LG	28480	9140-0158
A3A3L16	9100-1633	0	1	INDUCTOR RF-CH-MLD 68UH 5% .166DX.385LG	28480	9100-1633
A3A3L17	9100-1631	8	1	INDUCTOR RF-CH-MLD 56UH 5% .166DX.385LG	28480	9100-1631
A3A3L18	9100-1627	2	2	INDUCTOR RF-CH-MLD 39UH 5% .166DX.385LG	28480	9100-1627
A3A3L19	9100-1627	2		INDUCTOR RF-CH-MLD 39UH 5% .166DX.385LG	28480	9100-1627
A3A3MP1	06663-00061	6	1	COVER, EXTRUSION, FULL	28480	06663-00061
	2360-0113	2	8	SCREW-MACH 6-32 .25-IN-LG PAN-HD-POZI	00000	ORDER BY DESCRIPTION
A3A3MP2	5001-0176	0	20	STRAP GROUND	28480	5001-0176
A3A3MP3	5001-0176	0		STRAP GROUND	28480	5001-0176
A3A3Q1	1854-0404	0	27	TRANSISTOR NPN SI TO-18 PD=360MW	28480	1854-0404
A3A3Q2	1854-0404	0		TRANSISTOR NPN SI TO-18 PD=360MW	28480	1854-0404
A3A3Q3	1853-0034	0	2	TRANSISTOR PNP SI TO-18 PD=360MW	28480	1853-0034
A3A3Q4	1853-0034	0		TRANSISTOR PNP SI TO-18 PD=360MW	28480	1853-0034
A3A3Q5	1854-0247	9	7	TRANSISTOR NPN SI TO-39 PD=1W FT=800MHZ	28480	1854-0247
A3A3Q6	1853-0007	7	2	TRANSISTOR PNP 2N3251 SI TO-18 PD=360MW	04713	2N3251
A3A3Q7	1854-0404	0		TRANSISTOR NPN SI TO-18 PD=360MW	28480	1854-0404
A3A3Q8	1854-0404	0		TRANSISTOR NPN SI TO-18 PD=360MW	28480	1854-0404
A3A3Q9	1853-0451	5	18	TRANSISTOR PNP 2N3799 SI TO-18 PD=360MW	01295	2N3799
A3A3Q10	1854-0247	9		TRANSISTOR NPN SI TO-39 PD=1W FT=800MHZ	28480	1854-0247
A3A3Q11	1853-0451	5		TRANSISTOR PNP 2N3799 SI TO-18 PD=360MW	01295	2N3799
A3A3Q12	1853-0451	5		TRANSISTOR PNP 2N3799 SI TO-18 PD=360MW	01295	2N3799
A3A3R1	0698-7218	5	14	RESISTOR 178 1% .05W F TC=0+-100	24546	C3-1/8-TO-178R-F
A3A3R2	0698-7218	5		RESISTOR 178 1% .05W F TC=0+-100	24546	C3-1/8-TO-178R-F
A3A3R3	0698-7218	5		RESISTOR 178 1% .05W F TC=0+-100	24546	C3-1/8-TO-178R-F
A3A3R4	0698-7218	5		RESISTOR 178 1% .05W F TC=0+-100	24546	C3-1/8-TO-178R-F
A3A3R5	0698-7218	5		RESISTOR 178 1% .05W F TC=0+-100	24546	C3-1/8-TO-178R-F
A3A3R6	0698-7218	5		RESISTOR 178 1% .05W F TC=0+-100	24546	C3-1/8-TO-178R-F
A3A3R7	0698-7218	5		RESISTOR 178 1% .05W F TC=0+-100	24546	C3-1/8-TO-178R-F
A3A3R8	0698-7218	5		RESISTOR 178 1% .05W F TC=0+-100	24546	C3-1/8-TO-178R-F
A3A3R9	0757-0316	6	1	RESISTOR 42.2 1% .125W F TC=0+-100	24546	C4-1/8-TO-42R2-F
A3A3R10	0698-7218	6		RESISTOR 178 1% .05W F TC=0+-100	24546	C3-1/8-TO-178R-F
A3A3R11	0698-7213	0	3	RESISTOR 110 1% .05W F TC=0+-100	24546	C3-1/8-TO-110R-F
A3A3R12	0698-7222	1	8	RESISTOR 261 1% .05W F TC=0+-100	24546	C3-1/8-TO-261R-F
A3A3R13	2100-3349	2	1	RESISTOR-TRMR 100 10% C SIDE-ADJ 1-TRN	28480	2100-3349
A3A3R14	0698-7218	3	8	RESISTOR 147 1% .05W F TC=0+-100	24546	C3-1/8-TO-147R-F
A3A3R15	0698-7221	0	6	RESISTOR 237 1% .05W F TC=0+-100	24546	C3-1/8-TO-237R-F
A3A3R16	0698-7221	0		RESISTOR 237 1% .05W F TC=0+-100	24546	C3-1/8-TO-237R-F
A3A3R17	0698-7216	3		RESISTOR 147 1% .05W F TC=0+-100	24546	C3-1/8-TO-147R-F
A3A3R18	0698-7234	5	8	RESISTOR 825 1% .05W F TC=0+-100	24546	C3-1/8-TO-825R-F
A3A3R19	0698-7234	5		RESISTOR 825 1% .05W F TC=0+-100	24546	C3-1/8-TO-825R-F
A3A3R20	0698-7234	5		RESISTOR 825 1% .05W F TC=0+-100	24546	C3-1/8-TO-825R-F
A3A3R21	0698-7216	3		RESISTOR 147 1% .05W F TC=0+-100	24546	C3-1/8-TO-147R-F
A3A3R22	0698-7221	0		RESISTOR 237 1% .05W F TC=0+-100	24546	C3-1/8-TO-237R-F
A3A3R23	0698-7234	5		RESISTOR 825 1% .05W F TC=0+-100	24546	C3-1/8-TO-825R-F
A3A3R24	0698-7222	1		RESISTOR 261 1% .05W F TC=0+-100	24546	C3-1/8-TO-261R-F
A3A3R25	0698-7222	1		RESISTOR 261 1% .05W F TC=0+-100	24546	C3-1/8-TO-261R-F

† Refer to Section 7 for update information.

* Factory Selected Component (Refer to Section 5.)

Table 6-3. Replaceable Parts

Reference Designation	HP Part Number	C D	Qty.	Description	Mfr. Code	Mfr. Part Number
A3A3R26	0699-7222	1		RESISTOR 261 1% .05W F TC=0+-100	24548	C3-1/8-TC-261R-F
A3A3R27	0699-7222	1		RESISTOR 261 1% .05W F TC=0+-100	24548	C3-1/8-TC-261R-F
A3A3R28	0699-7218	5		RESISTOR 178 1% .05W F TC=0+-100	24548	C3-1/8-TC-178R-F
A3A3R29	0699-7218	5		RESISTOR 178 1% .05W F TC=0+-100	24548	C3-1/8-TC-178R-F
A3A3R30	0699-7218	5		RESISTOR 178 1% .05W F TC=0+-100	24548	C3-1/8-TC-178R-F
A3A3R31	0699-7221	0		RESISTOR 237 1% .05W F TC=0+-100	24548	C3-1/8-TC-237R-F
A3A3R32	0699-7218	5		RESISTOR 178 1% .05W F TC=0+-100	24548	C3-1/8-TC-178R-F
A3A3R33	0699-7188	8	5	RESISTOR 10 1% .05W F TC=0+-100	24548	C3-1/8-TC-10R-F
A3A3R34	0699-7216	3		RESISTOR 147 1% .05W F TC=0+-100	24548	C3-1/8-TC-147R-F
A3A3R35	0699-7233	4	28	RESISTOR 750 1% .05W F TC=0+-100	24548	C3-1/8-TC-750R-F
A3A3R36	0699-7233	4		RESISTOR 750 1% .05W F TC=0+-100	24548	C3-1/8-TC-750R-F
A3A3R37	0699-7233	4		RESISTOR 750 1% .05W F TC=0+-100	24548	C3-1/8-TC-750R-F
A3A3R38	0699-7233	4		RESISTOR 750 1% .05W F TC=0+-100	24548	C3-1/8-TC-750R-F
A3A3R39	0699-7221	0		RESISTOR 237 1% .05W F TC=0+-100	24548	C3-1/8-TC-237R-F
A3A3R40	0699-7233	4		RESISTOR 750 1% .05W F TC=0+-100	24548	C3-1/8-TC-750R-F
A3A3R41	0699-7216	3		RESISTOR 147 1% .05W F TC=0+-100	24548	C3-1/8-TC-147R-F
A3A3R42	0699-7216	3		RESISTOR 147 1% .05W F TC=0+-100	24548	C3-1/8-TC-147R-F
A3A3R43	0699-7221	0		RESISTOR 237 1% .05W F TC=0+-100	24548	C3-1/8-TC-237R-F
A3A3R44	0699-7233	4		RESISTOR 750 1% .05W F TC=0+-100	24548	C3-1/8-TC-750R-F
A3A3R45	0699-7229	8	23	RESISTOR 511 1% .05W F TC=0+-100	24548	C3-1/8-TC-511R-F
A3A3R46	0699-7233	4		RESISTOR 750 1% .05W F TC=0+-100	24548	C3-1/8-TC-750R-F
A3A3R47	0699-7233	4		RESISTOR 750 1% .05W F TC=0+-100	24548	C3-1/8-TC-750R-F
A3A3R48	0699-7233	4		RESISTOR 750 1% .05W F TC=0+-100	24548	C3-1/8-TC-750R-F
A3A3R49	0699-7233	4		RESISTOR 750 1% .05W F TC=0+-100	24548	C3-1/8-TC-750R-F
A3A3R50	0699-7226	5	3	RESISTOR 383 1% .05W F TC=0+-100	24548	C3-1/8-TC-383R-F
A3A3R51	0699-7229	8		RESISTOR 511 1% .05W F TC=0+-100	24548	C3-1/8-TC-511R-F
A3A3R52	0699-7233	4		RESISTOR 750 1% .05W F TC=0+-100	24548	C3-1/8-TC-750R-F
A3A3R53	0699-7220	9	5	RESISTOR 215 1% .05W F TC=0+-100	24548	C3-1/8-TC-215R-F
A3A3R54	0699-7229	8		RESISTOR 511 1% .05W F TC=0+-100	24548	C3-1/8-TC-511R-F
A3A3R55	0699-7200	5	1	RESISTOR 31.6 1% .05W F TC=0+-100	24548	C3-1/8-TC-316R-F
A3A3R56	0699-7212	9	35	RESISTOR 100 1% .05W F TC=0+-100	24548	C3-1/8-TC-100R-F
A3A3R57	0699-7233	4		RESISTOR 750 1% .05W F TC=0+-100	24548	C3-1/8-TC-750R-F
A3A3R58	0699-7233	4		RESISTOR 750 1% .05W F TC=0+-100	24548	C3-1/8-TC-750R-F
A3A3R59	0699-7209	4	2	RESISTOR 75 1% .05W F TC=0+-100	24548	C3-1/8-TC-75R-F
A3A3R60	0699-7253	8	12	RESISTOR 5.11K 1% .05W F TC=0+-100	24548	C3-1/8-TC-5111-F
A3A3R61	0699-7253	8		RESISTOR 5.11K 1% .05W F TC=0+-100	24548	C3-1/8-TC-5111-F
A3A3R62	0699-7238	9	6	RESISTOR 1.21K 1% .05W F TC=0+-100	24548	C3-1/8-TC-1211-F
A3A3R63	0699-7238	9		RESISTOR 1.21K 1% .05W F TC=0+-100	24548	C3-1/8-TC-1211-F
A3A3R64	0699-7253	8		RESISTOR 5.11K 1% .05W F TC=0+-100	24548	C3-1/8-TC-5111-F
A3A3R65	0699-7253	9		RESISTOR 5.11K 1% .05W F TC=0+-100	24548	C3-1/8-TC-5111-F
A3A3R66	0699-7192	4	1	RESISTOR 14.7 1% .05W F TC=0+-100	24548	C3-1/8-TC-147R-F
A3A3R67	0699-7233	4		RESISTOR 750 1% .05W F TC=0+-100	24548	C3-1/8-TC-750R-F
A3A3R68	0699-7196	8	1	RESISTOR 21.5 1% .05W F TC=0+-100	24548	C3-1/8-TC-215R-F
A3A3R69	0699-7233	4		RESISTOR 750 1% .05W F TC=0+-100	24548	C3-1/8-TC-750R-F
A3A3R70	0699-7224	3	7	RESISTOR 316 1% .05W F TC=0+-100	24548	C3-1/8-TC-316R-F
A3A3R71	0699-7237	8	2	RESISTOR 1.1K 1% .05W F TC=0+-100	24548	C3-1/8-TC-1101-F
A3A3R72	0699-7226	5		RESISTOR 383 1% .05W F TC=0+-100	24548	C3-1/8-TC-383R-F
A3A3R73	0699-7237	8		RESISTOR 1.1K 1% .05W F TC=0+-100	24548	C3-1/8-TC-1101-F
A3A3R74	0699-7224	3		RESISTOR 316 1% .05W F TC=0+-100	24548	C3-1/8-TC-316R-F
A3A3R75	0699-7213	0		RESISTOR 110 1% .05W F TC=0+-100	24548	C3-1/8-TC-110R-F

† Refer to Section 7 for update information.

* Factory Selected Component (Refer to Section 5.)

Table 6-3. Replaceable Parts

Reference Designation	HP Part Number	C D	Qty.	Description	Mfr. Code	Mfr. Part Number
A3A3R76	0698-7228	5		RESISTOR 383 1% .05W F TC=0+-100	24548	C3-1/8-TC-383R-F
A3A3R77	0698-7233	4		RESISTOR 750 1% .05W F TC=0+-100	24548	C3-1/8-T0-750R-F
A3A3R78	0698-7233	4		RESISTOR 750 1% .05W F TC=0+-100	24548	C3-1/8-T0-750R-F
A3A3R79	0698-7233	4		RESISTOR 750 1% .05W F TC=0+-100	24548	C3-1/8-T0-750R-F
A3A3R80	0698-7212	9		RESISTOR 100 1% .05W F TC=0+-100	24548	C3-1/8-T0-100R-F
A3A3R81	0698-7212	9		RESISTOR 100 1% .05W F TC=0+-100	24548	C3-1/8-T0-100R-F
A3A3R82	0698-7233	4		RESISTOR 750 1% .05W F TC=0+-100	24548	C3-1/8-T0-750R-F
A3A3R83	0698-7233	4		RESISTOR 750 1% .05W F TC=0+-100	24548	C3-1/8-T0-750R-F
A3A3R84	0698-7233	4		RESISTOR 750 1% .05W F TC=0+-100	24548	C3-1/8-T0-750R-F
A3A3R85	0698-7289	0	2	RESISTOR 13.3K 1% .05W F TC=0+-100	24548	C3-1/8-T0-1332-F
A3A3R86	0698-7288	5		RESISTOR 21.5K 1% .05W F TC=0+-100	24548	C3-1/8-T0-2152-F
A3A3R87	0698-7260	7		RESISTOR 10K 1% .05W F TC=0+-100	24548	C3-1/8-T0-1002-F
2234A TO 2016A						
A3A3R88	0698-7257	2	2	RESISTOR 7.5K 1% .05W F TC=0+-100	24548	C3-1/8-T0-7501-F
2019A AND ABOVE						
A3A3R88 ^Δ	0698-7257	2	2	RESISTOR 7.5K 1% .05W F TC=0+-100	24548	C3-1/8-T0-7501-F
A3A3R89	0698-7234	5		RESISTOR 825 1% .05W F TC=0+-100	24548	C3-1/8-T0-825R-F
A3A3R90	0698-7233	4		RESISTOR 750 1% .05W F TC=0+-100	24548	C3-1/8-T0-750R-F
A3A3R91	0698-7233	4		RESISTOR 750 1% .05W F TC=0+-100	24548	C3-1/8-T0-750R-F
A3A3R92	0698-7233	4		RESISTOR 750 1% .05W F TC=0+-100	24548	C3-1/8-T0-750R-F
A3A3R93	0698-7233	4		RESISTOR 750 1% .05W F TC=0+-100	24548	C3-1/8-T0-750R-F
A3A3R94	0698-7212	9		RESISTOR 100 1% .05W F TC=0+-100	24548	C3-1/8-T0-100R-F
A3A3R95	0698-7212	9		RESISTOR 100 1% .05W F TC=0+-100	24548	C3-1/8-T0-100R-F
A3A3R96	0698-7233	4		RESISTOR 750 1% .05W F TC=0+-100	24548	C3-1/8-T0-750R-F
A3A3R97	0698-7233	4		RESISTOR 750 1% .05W F TC=0+-100	24548	C3-1/8-T0-750R-F
A3A3R98	0698-7247	0	3	RESISTOR 2.87K 1% .05W F TC=0+-100	24548	C3-1/8-T0-2871-F
A3A3R99	0698-7248	1		RESISTOR 3.16K 1% .05W F TC=0+-100	24548	C3-1/8-T0-3161-F
A3A3R100	0698-7248	1		RESISTOR 3.16K 1% .05W F TC=0+-100	24548	C3-1/8-T0-3161-F
A3A3R101	0698-7248	1		RESISTOR 3.16K 1% .05W F TC=0+-100	24548	C3-1/8-T0-3161-F
A3A3R102	0698-7212	9		RESISTOR 100 1% .05W F TC=0+-100	24548	C3-1/8-T0-100R-F
A3A3R103	0698-7212	9		RESISTOR 100 1% .05W F TC=0+-100	24548	C3-1/8-T0-100R-F
A3A3R104	0698-7248	1		RESISTOR 3.16K 1% .05W F TC=0+-100	24548	C3-1/8-T0-3161-F
A3A3R105	0698-7240	3	4	RESISTOR 1.47K 1% .05W F TC=0+-100	24548	C3-1/8-T0-1471-F
A3A3R106	0698-7240	3		RESISTOR 1.47K 1% .05W F TC=0+-100	24548	C3-1/8-T0-1471-F
A3A3R107	0698-7232	3	13	RESISTOR 681 1% .05W F TC=0+-100	24548	C3-1/8-T0-681R-F
A3A3R108	0698-7244	7	3	RESISTOR 2.15K 1% .05W F TC=0+-100	24548	C3-1/8-T0-2151-F
A3A3R109	0698-7236	7		RESISTOR 1K 1% .05W F TC=0+-100	24548	C3-1/8-T0-1001-F
A3A3R110	0698-7260	7		RESISTOR 10K 1% .05W F TC=0+-100	24548	C3-1/8-T0-1002-F
A3A3R111	0698-7260	7		RESISTOR 10K 1% .05W F TC=0+-100	24548	C3-1/8-T0-1002-F
A3A3R112	0698-7236	7		RESISTOR 1K 1% .05W F TC=0+-100	24548	C3-1/8-T0-1001-F
A3A3R113	0698-7236	7		RESISTOR 1K 1% .05W F TC=0+-100	24548	C3-1/8-T0-1001-F
A3A3R114	0698-7255	0	3	RESISTOR 6.19K 1% .05W F TC=0+-100	24548	C3-1/8-T0-6191-F
A3A3R115	0698-7253	8		RESISTOR 5.11K 1% .05W F TC=0+-100	24548	C3-1/8-T0-5111-F
A3A3R116	0698-7253	8		RESISTOR 5.11K 1% .05W F TC=0+-100	24548	C3-1/8-T0-5111-F
A3A3R117	0698-7224	3		RESISTOR 318 1% .05W F TC=0+-100	24548	C3-1/8-T0-318R-F
A3A3R118	0698-7249	2	5	RESISTOR 3.48K 1% .05W F TC=0+-100	24548	C3-1/8-T0-3481-F
A3A3R119	0698-7243	6	6	RESISTOR 1.96K 1% .05W F TC=0+-100	24548	C3-1/8-T0-1961-F
A3A3R120	0698-7243	6		RESISTOR 1.96K 1% .05W F TC=0+-100	24548	C3-1/8-T0-1961-F
A3A3R121	0698-7249	2		RESISTOR 3.48K 1% .05W F TC=0+-100	24548	C3-1/8-T0-3481-F
A3A3R122	0698-7274	3	2	RESISTOR 38.3K 1% .05W F TC=0+-100	24548	C3-1/8-T0-3832-F
2234A ONLY						
A3A3R123				NOT ASSIGNED		
2245A AND ABOVE						
A3A3R123	0699-0130	8	1	RESISTOR 267 5% .1W C TC=0+-200	28480	0699-0130

†Refer to Section 7 for update information.

*Factory Selected Component (Refer to Section 5).

Δ Errata part change.

Table 6-3. Replaceable Parts

Reference Designation	HP Part Number	C D	Qty.	Description	Mfr. Code	Mfr. Part Number
A3A3TP17	1251-0600	0		CONNECTOR-SGL CONT PIN 1.14-MM-BSC-SZ SQ	28480	1251-0600
A3A3U1	1820-0794	0	2	IC FF ECL D-M/S	04713	MC1670L
A3A3U2	1820-0796	2	2	IC GATE ECL NOR QUAD 2-INP	04713	MC1662L
A3A3U3	1820-0794	0		IC FF ECL D-M/S	04713	MC1670L
A3A3U4	1820-0796	2		IC GATE ECL NOR QUAD 2-INP	04713	MC1662L
A3A3U5	1820-0801	0	2	IC GATE ECL OR-NOR QUAD 2-INP	04713	MC10101P
A3A3U6	1820-0813	4	1	IC GATE ECL AND-OR	04713	MC10118P
A3A3U7	1820-0825	8	2	IC SHF-RGTR ECL D-TYPE PRL-IN PRL-OUT	04713	MC10141L
A3A3U8	1820-0825	8		IC SHF-RGTR ECL D-TYPE PRL-IN PRL-OUT	04713	MC10141L
A3A3U9	1820-0803	2	3	IC GATE ECL OR-NOR TPL	04713	MC10105P
A3A3U10	1826-0028	3	3	IC COMPARATOR PRCN TO-89 PKG	01295	LM311L
A3A3U11	1820-0817	8	1	IC FF ECL D-M/S DUAL	04713	MC10131P
A3A3U12	1820-0801	0		IC GATE ECL OR-NOR QUAD 2-INP	04713	MC10101P
A3A3U13	1820-5386	6	2	IC 74S 583 PL ADDR	02237	74F583PC
A3A3U14	1820-0803	2		IC GATE ECL OR-NOR TPL	04713	MC10105P
A3A3U15	1826-0028	3		IC COMPARATOR PRCN TO-89 PKG	01295	LM311L
A3A3U16	1820-0693	8	1	IC FF TTL S D-TYPE POS-EDGE-TRIG	01295	SN74S74N
A3A3U17	1820-0579	9	1	IC MV TTL MONOSTBL RETRIG DUAL	01295	SN74123N
A3A3U18	1820-1191	3	1	IC FF TTL S D-TYPE POS-EDGE-TRIG COM	01295	SN74S175N
A3A3U19	1820-5386	1		IC 74S 583 PL ADDR	02237	74F583PC
A3A3U20	1820-0305	9	1	IC ADDR TTL FULL ADDER 4-BIT	01295	SN7483AN
A3A3U21	1820-0681	4	3	IC GATE TTL S NAND QUAD 2-INP	01295	SN74S00N

†Refer to Section 7 for update information.

*Factory Selected Component (Refer to Section 5).

Table 6-3. Replaceable Parts

Reference Designation	HP Part Number	C D	Qty.	Description	Mfr. Code	Mfr. Part Number
A3A4						
A3A4	08662-60136	1	1	N LOOP VCO ASSEMBLY	28480	08663-60033
A3A4C1	0160-4084	8	21	CAPACITOR-FXD .1UF +-20% 50VDC CER	28480	0160-4084
A3A4C2	0160-4084	8		CAPACITOR-FXD .1UF +-20% 50VDC CER	28480	0160-4084
A3A4C3	0160-5216	0	2	CAPACITOR-FXD .1UF +-10% 100VDC CER	28480	0160-5216
A3A4C4	0160-3878	6		CAPACITOR-FXD 1000PF +-20% 100VDC CER	28480	0160-3878
A3A4C5	0160-3879	7		CAPACITOR-FXD .01UF +-20% 100VDC CER	28480	0160-3879
A3A4C6	0180-2618	3		CAPACITOR-FXD 22UF+-10% 15VDC TA	25089	D22G31B15K
A3A4C7	0160-3878	7		CAPACITOR-FXD .01UF +-20% 100VDC CER	28480	0160-3878
A3A4C8	0160-3879	7		CAPACITOR-FXD .01UF +-20% 100VDC CER	28480	0160-3879
A3A4C9	0160-3879	7		CAPACITOR-FXD .01UF +-20% 100VDC CER	28480	0160-3879
A3A4C10	0160-4084	8		CAPACITOR-FXD .1UF +-20% 50VDC CER	28480	0160-4084
A3A4C11	0160-4084	8		CAPACITOR-FXD .1UF +-20% 50VDC CER	28480	0160-4084
A3A4C12	0160-0174	9	1	CAPACITOR-FXD .47UF +60-20% 25VDC CER	28480	0160-0174
A3A4C13	0140-0191	8		CAPACITOR-FXD 56PF +-5% 300VDC MICA	72138	DM15E560J0300WV1CR
A3A4C14	0121-0446	6		CAPACITOR-V TRMR-CER 4.5-20PF 160V	28480	0121-0446
A3A4C15	0160-0939	4	4	CAPACITOR-FXD 430PF +-5% 300VDC MICA	28480	0160-0939
A3A4C16	0160-2020	8	1	CAPACITOR-FXD 910PF +-5% 100VDC MICA	28480	0160-2020
A3A4C17	0160-4084	8		CAPACITOR-FXD .1UF +-20% 50VDC CER	28480	0160-4084
A3A4C18	0160-0939	4		CAPACITOR-FXD 430PF +-5% 300VDC MICA	28480	0160-0939
A3A4C19	0160-2406	4	1	CAPACITOR-FXD .27UF +-10% 60VDC POLYE	28480	0160-2406
A3A4C20	0160-4084	8		CAPACITOR-FXD .1UF +-20% 50VDC CER	28480	0160-4084
A3A4C21	0160-3878	6		CAPACITOR-FXD 1000PF +-20% 100VDC CER	28480	0160-3878
A3A4C22	0160-4768	5	4	CAPACITOR-FXD 470PF +-5% 100VDC CER	28480	0160-4768
A3A4C24	0160-0570	9	3	CAPACITOR-FXD 220PF +-20% 100VDC CER	20932	5024EM100RD221M
A3A4C27	0160-3878	6		CAPACITOR-FXD 1000PF +-20% 100VDC CER	28480	0160-3878
A3A4C28	0160-3879	6		CAPACITOR-FXD 1000PF +-20% 100VDC CER	28480	0160-3878
A3A4C29	0160-3878	6		CAPACITOR-FXD 1000PF +-20% 100VDC CER	28480	0160-3878
A3A4C30	0160-3878	6		CAPACITOR-FXD 1000PF +-20% 100VDC CER	28480	0160-3878
A3A4C31	0160-2242	6	1	CAPACITOR-FXD 2.4PF +-25PF 500VDC CER	28480	0160-2242
A3A4C32	0160-2250	6	1	CAPACITOR-FXD 5.1PF +-25PF 500VDC CER	28480	0160-2250
A3A4C33	0160-3879	7		CAPACITOR-FXD .01UF +-20% 100VDC CER	28480	0160-3879
A3A4C34	0160-3879	7		CAPACITOR-FXD .01UF +-20% 100VDC CER	28480	0160-3879
A3A4C35	0160-3878	6		CAPACITOR-FXD 1000PF +-20% 100VDC CER	28480	0160-3878
A3A4C36	0160-3878	6		CAPACITOR-FXD 1000PF +-20% 100VDC CER	28480	0160-3878
A3A4C37	0160-2264	2		CAPACITOR-FXD 20PF +-5% 500VDC CER 0+-30	28480	0160-2264
A3A4C38	0160-2264	2		CAPACITOR-FXD 20PF +-5% 500VDC CER 0+-30	28480	0160-2264
A3A4C39	0160-3879	7		CAPACITOR-FXD .01UF +-20% 100VDC CER	28480	0160-3879
A3A4C40	0160-3879	7		CAPACITOR-FXD .01UF +-20% 100VDC CER	28480	0160-3879
A3A4CR1	1901-0040	1		DIODE-SWITCHING 30V 50MA 2NS DO-35	28480	1901-0040
A3A4CR2	1901-0040	1		DIODE-SWITCHING 30V 50MA 2NS DO-35	28480	1901-0040
A3A4CR3	1901-0040	1		DIODE-SWITCHING 30V 50MA 2NS DO-35	28480	1901-0040
A3A4CR4	1901-0039	8	3	DIODE-SWITCHING 50V 300MA 8NS	28480	1901-0039
A3A4CR5	1901-0039	8		DIODE-SWITCHING 50V 300MA 8NS	28480	1901-0039
A3A4CR6	1901-0039	8		DIODE-SWITCHING 50V 300MA 8NS	28480	1901-0039
2234A TO 2419A						
A3A4CR7	0122-0065	7	14	DIODE-VVC 29PF 3%	28480	0122-0065
A3A4CR8	0122-0065	7		DIODE-VVC 29PF 3%	28480	0122-0065
2441A TO 2548A						
A3A4CR7	0122-0162	5	14	DVVC 29PF 5.0CR	28480	0122-0162
A3A4CR8	0122-0162	5		DVVC 29PF 5.0CR	28480	0122-0162
2549A AND ABOVE						
A3A4CR7	0122-0173	8		DIODE VVC 29PF 10% C3/C25-MIN=5 BVR-30V	28480	0122-0173
A3A4CR8	0122-0173	8		DIODE VVC 29PF 10% C3/C25-MIN=5 BVR-30V	28480	0122-0173

† Refer to Section 7 for update information.

* Factory Selected Component (Refer to Section 5.)

Table 4-3. Replaceable Parts

A3A4

A3A4	08662-60136	1	1	N LOOP VCO ASSEMBLY	28480	08663-60033	
A3A4C1	0160-4084	8	21	CAPACITOR-FXD .1UF +20% 50VDC CER	28480	0160-4084	
A3A4C2	0160-4084	8		CAPACITOR-FXD .1UF +20% 50VDC CER	28480	0160-4084	
A3A4C3	0160-5218	0	2	CAPACITOR-FXD .1UF +10% 100VDC CER	28480	0160-5218	
A3A4C4	0160-3878	8		CAPACITOR-FXD 1000PF +20% 100VDC CER	28480	0160-3878	
A3A4C5	0160-3879	7		CAPACITOR-FXD .01UF +20% 100VDC CER	28480	0160-3879	
A3A4C6	0180-2619	3		CAPACITOR-FXD 22UF +10% 15VDC TA	25068	D22GS1615K	
A3A4C7	0160-3879	7		CAPACITOR-FXD .01UF +20% 100VDC CER	28480	0160-3879	
A3A4C8	0160-3879	7		CAPACITOR-FXD .01UF +20% 100VDC CER	28480	0160-3879	
A3A4C9	0160-3879	7		CAPACITOR-FXD .01UF +20% 100VDC CER	28480	0160-3879	
A3A4C10	0160-4084	8		CAPACITOR-FXD .1UF +20% 50VDC CER	28480	0160-4084	
A3A4C11	0160-4084	8		CAPACITOR-FXD .1UF +20% 50VDC CER	28480	0160-4084	
A3A4C12	0160-0174	9	1	CAPACITOR-FXD .47UF +80-20% 25VDC CER	28480	0160-0174	
<i>2231A TO 3003A</i>							
A3A4C13	0140-0191	8		CAPACITOR-FXD 58PF +5% 300VDC MICA	72136	DM15E560J0300VW1CR	
<i>3017A and above</i>							
A3A4C13	0160-4604	0		CAPACITOR-FXD 56PF +5% 100V CER COG	02010	6A102A560JAAH	
A3A4C14	0121-0446	6		CAPACITOR-V TRMR-CER 4.5-20PF 160V	28480	0121-0446	
A3A4C15	0160-0939	4	4	CAPACITOR-FXD 430PF +5% 300VDC MICA	28480	0160-0939	
A3A4C16	0160-2020	8	1	CAPACITOR-FXD 910PF +5% 100VDC MICA	28480	0160-2020	
A3A4C17	0160-4084	8		CAPACITOR-FXD .1UF +20% 50VDC CER	28480	0160-4084	
A3A4C18	0160-0939	4		CAPACITOR-FXD 430PF +5% 300VDC MICA	28480	0160-0939	
A3A4C19	0160-2406	4	1	CAPACITOR-FXD .27UF +10% 80VDC POLYE	28480	0160-2406	
A3A4C20	0160-4084	8		CAPACITOR-FXD .1UF +20% 50VDC CER	28480	0160-4084	
A3A4C21	0160-3878	6		CAPACITOR-FXD 1000PF +20% 100VDC CER	28480	0160-3878	
A3A4C22	0160-4768	5	4	CAPACITOR-FXD 470PF +5% 100VDC CER	28480	0160-4768	
A3A4C24	0160-0570	9	3	CAPACITOR-FXD 220PF +20% 100VDC CER	20932	5024EM100RD221M	
A3A4C27	0160-3878	6		CAPACITOR-FXD 1000PF +20% 100VDC CER	28480	0160-3878	
A3A4C28	0160-3878	6		CAPACITOR-FXD 1000PF +20% 100VDC CER	28480	0160-3878	
A3A4C29	0160-3878	6		CAPACITOR-FXD 1000PF +20% 100VDC CER	28480	0160-3878	
A3A4C30	0160-3878	6		CAPACITOR-FXD 1000PF +20% 100VDC CER	28480	0160-3878	
A3A4C31	0160-2242	6	1	CAPACITOR-FXD 2.4PF +.25PF 500VDC CER	28480	0160-2242	
A3A4C32	0160-2250	6	1	CAPACITOR-FXD 5.1PF +.25PF 500VDC CER	28480	0160-2250	
A3A4C33	0160-3879	7		CAPACITOR-FXD .01UF +20% 100VDC CER	28480	0160-3879	
A3A4C34	0160-3879	7		CAPACITOR-FXD .01UF +20% 100VDC CER	28480	0160-3879	
A3A4C35	0160-3878	6		CAPACITOR-FXD 1000PF +20% 100VDC CER	28480	0160-3878	
A3A4C36	0160-3878	6		CAPACITOR-FXD 1000PF +20% 100VDC CER	28480	0160-3878	
A3A4C37	0160-2264	2		CAPACITOR-FXD 20PF +5% 500VDC CER 0 +30	28480	0160-2264	
A3A4C38	0160-2264	2		CAPACITOR-FXD 20PF +5% 500VDC CER 0 +30	28480	0160-2264	
A3A4C39	0160-3879	7		CAPACITOR-FXD .01UF +20% 100VDC CER	28480	0160-3879	
A3A4C40	0160-3879	7		CAPACITOR-FXD .01UF +20% 100VDC CER	28480	0160-3879	
A3A4CR1	1901-0040	1		DIODE-SWITCHING 30V 50MA 2NS DO-35	28480	1901-0040	
A3A4CR2	1901-0040	1		DIODE-SWITCHING 30V 50MA 2NS DO-35	28480	1901-0040	
A3A4CR3	1901-0040	1		DIODE-SWITCHING 30V 50MA 2NS DO-35	28480	1901-0040	
A3A4CR4	1901-0039	8	3	DIODE-SWITCHING 50V 300MA 8NS	28480	1901-0039	
A3A4CR5	1901-0039	8		DIODE-SWITCHING 50V 300MA 8NS	28480	1901-0039	
A3A4CR8	1901-0039	8		DIODE-SWITCHING 50V 300MA 8NS	28480	1901-0039	
<i>2234A TO 2419A</i>							
A3A4CR7	0122-0085	7	14	DIODE-VVC 29PF 3%	28480	0122-0085	
A3A4CR8	0122-0085	7		DIODE-VVC 29PF 3%	28480	0122-0085	
<i>2441A TO 2548A</i>							
A3A4CR7	0122-0162	5	14	DVVC 29PF 5.0CR	28480	0122-0162	
A3A4CR8	0122-0162	5		DVVC 29PF 5.0CR	28480	0122-0162	
<i>2649A AND ABOVE</i>							
A3A4CR7	0122-0173	6		DIODE VVC 29PF 10% C3/C25-MIN-5 BVR-30V	28480	0122-0173	
A3A4CR8	0122-0173	6		DIODE VVC 29PF 10% C3/C25-MIN-5 BVR-30V	28480	0122-0173	

Table 4-3. Replaceable Parts

A3A4J1	1250-1220	0		CONNECTOR-RF SMC M PC 50-OHM	28480	1250-1220
	2190-0124	4		WASHER-LK INTL T NO. 10 .195-IN-ND	28480	2190-0124
	2950-0078	9		NUT-HEX-DBL-CHAM 10-32-THD .067-IN-THK	28480	2950-0078
A3A4J2	1250-1220	0		CONNECTOR-RF SMC M PC 50-OHM	28480	1250-1220
	2190-0124	4		WASHER-LK INTL T NO. 10 .195-IN-ND	28480	2190-0124
	2950-0078	9		NUT-HEX-DBL-CHAM 10-32-THD .067-IN-THK	28480	2950-0078
A3A4L1	9100-2251	0	10	INDUCTOR RF-CH-MLD 220NH 10% .105DX.26LG	28480	9100-2251
A3A4L2	9140-0144	0		INDUCTOR RF-CH-MLD 4.7UH 10% .105DX.26LG	28480	9140-0144
A3A4L3	9140-0144	0		INDUCTOR RF-CH-MLD 4.7UH 10% .105DX.26LG	28480	9140-0144
A3A4L4	9140-0144	0		INDUCTOR RF-CH-MLD 4.7UH 10% .105DX.26LG	28480	9140-0144
A3A4L5	9100-1635	2		INDUCTOR RF-CH-MLD 91UH 5% .166DX.385LG	28480	9100-1635
A3A4L6	9100-1625	0	1	INDUCTOR RF-CH-MLD 33UH 5% .166DX.385LG	28480	9100-1625
A3A4L7	9140-0142	8	3	INDUCTOR RF-CH-MLD 2.2UH 10% .105DX.26LG	28480	9140-0142
A3A4L8	08662-00076	2	2	INDUCTOR, OSC.	28480	08662-00076
A3A4L9	9100-2247	4	11	INDUCTOR RF-CH-MLD 100NH 10% .105DX.26LG	28480	9100-2247
A3A4L10	9100-2251	0		INDUCTOR RF-CH-MLD 220NH 10% .105DX.26LG	28480	9100-2251
A3A4L11	9100-2247	4		INDUCTOR RF-CH-MLD 100NH 10% .105DX.26LG	28480	9100-2247
A3A4L12	9100-2251	0		INDUCTOR RF-CH-MLD 220NH 10% .105DX.26LG	28480	9100-2251
A3A4L13	9100-2247	4		INDUCTOR RF-CH-MLD 100NH 10% .105DX.26LG	28480	9100-2247
A3A4L14	9100-2247	4		INDUCTOR RF-CH-MLD 100NH 10% .105DX.26LG	28480	9100-2247
A3A4L15	9100-2251	0		INDUCTOR RF-CH-MLD 220NH 10% .105DX.26LG	28480	9100-2251
A3A4L16	9100-2251	0		INDUCTOR RF-CH-MLD 220NH 10% .105DX.26LG	28480	9100-2251
A3A4MP1	08662-20061	7	1	COVER, 1/2 END	28480	08662-20061
	2360-0113	2		SCREW-MACH 6-32 .25-IN-LG PAN-HD-POZI	00000	ORDER BY DESCRIPTION
A3A4MP2	5001-0176	0		STRAP, GROUND	28480	5001-0176
A3A4MP3	5001-0176	0		STRAP, GROUND	28480	5001-0176
A3A4Q1	1854-0247	9		TRANSISTOR NPN SI TO-39 PD=1W FT=800MHZ	28480	1854-0247
A3A4Q2	1854-0247	9		TRANSISTOR NPN SI TO-39 PD=1W FT=800MHZ	28480	1854-0247
A3A4Q3	1854-0345	8	6	TRANSISTOR NPN 2N5179 SI TO-72 PD=200MW	04713	2N5179
	1205-0037	0	10	HEAT SINK TO-18-CS	28480	1205-0037
A3A4Q4	1854-0345	8		TRANSISTOR NPN 2N5179 SI TO-72 PD=200MW	04713	2N5179
	1205-0037	0		HEAT SINK TO-18-CS	28480	1205-0037
A3A4Q5	1854-0404	0		TRANSISTOR NPN SI TO-18 PD=360MW	28480	1854-0404
	1205-0037	0		HEAT SINK TO-18-CS	28480	1205-0037
A3A4Q6	1853-0451	5		TRANSISTOR PNP 2N3799 SI TO-18 PD=360MW	01295	2N3799
2234A TO 2927A						
A3A4Q7	1855-0235	7	3	TRANSISTOR J-FET N-CHAN D-MODE TO-52 SI	28480	1855-0235
2936A AND ABOVE						
A3A4Q7	1855-0235	7	3	TRANSISTOR J-FET N-CHAN D-MODE TO-52 SI	28480	1855-0235
P/O Q7	1205-0037	0		HEAT SINK TO-18-CS	28480	1205-0037
A3A4Q8	1853-0451	5		TRANSISTOR PNP 2N3799 SI TO-18 PD=360MW	01295	2N3799
	1205-0037	0		HEAT SINK TO-18-CS	28480	1205-0037
A3A4Q9	1854-0404	0		TRANSISTOR NPN SI TO-18 PD=360MW	28480	1854-0404
A3A4Q10	1853-0451	5		TRANSISTOR PNP 2N3799 SI TO-18 PD=360MW	01295	2N3799
A3A4Q11	1854-0404	0		TRANSISTOR NPN SI TO-18 PD=360MW	28480	1854-0404
A3A4Q12	1853-0012	4	2	TRANSISTOR PNP 2N2904A SI TO-39 PD=600MW	01295	2N2904A
2234A TO 2648A						
A3A4R1	2100-2514	1	1	RESISTOR-TRMR 20K 10% C SIDE-ADJ 1-TRN	30983	ET50W203
2649A AND ABOVE						
A3A4R1	2100-2516	3	1	RESISTOR-TRMR 100K 10% C SIDE-ADJ 1-TRN	32997	3329W-1-104
A3A4R2	0757-0424	7	1	RESISTOR 1.1K 1% .125W F TC=0+-100	24546	C4-1/8-T0-1101-F
A3A4R3	2100-2574	3	2	RESISTOR-TRMR 500 10% C SIDE-ADJ 1-TRN	30983	ET50X501

Table 4-3. Replaceable Parts

ASA4R4*	0757-0290	5	5	RESISTOR 6.19K 1% .125W F TC=0+100	19701	MF4C1/8-T0-6191-F
ASA4R5	0757-0418	7		RESISTOR 511 1% .125W F TC=0+100	24546	C4-1/8-T0-511R-F
ASA4R6	0757-0418	7		RESISTOR 511 1% .125W F TC=0+100	24546	C4-1/8-T0-511R-F
ASA4R7	0757-0348	2		RESISTOR 10 1% .125W F TC=0+100	24546	C4-1/8-T0-10R0-F
ASA4R8	0757-0422	5	3	RESISTOR 909 1% .125W F TC=0+100	24546	C4-1/8-T0-909R-F
ASA4R9	0757-0290	5		RESISTOR 6.19K 1% .125W F TC=0+100	19701	MF4C1/8-T0-6191-F
2234A TO 2419A ASA4R10	0698-3155	1		RESISTOR 4.84K 1% .125W F TC=0+100	24546	C4-1/8-T0-4841-F
2441A TO 2548A ASA4R10	0698-3153	9	4	RESISTOR 3.83K 1% .125W F TC=0+100	24546	C4-1/8-T0-3831-F
2549A AND ABOVE ASA4R10	0698-3154	0		RESISTOR 4.22K 1% .125W F TC=0+100	24546	C4-1/8-T0-4221-F
ASA4R11	0757-0442	9		RESISTOR 10K 1% .125W F TC=0+100	24546	C4-1/8-T0-1002-F
2234A TO 2419A ASA4R12	0698-3156	2	6	RESISTOR 14.7K 1% .125W F TC=0+100	24546	C4-1/8-T0-1472-F
ASA4R13	0698-3136	8		RESISTOR 17.8K 1% .125W F TC=0+100	24546	C4-1/8-T0-1782-F
2441A TO 2548A ASA4R12	0698-3136	8		RESISTOR 17.8K 1% .125W F TC=0+100	24546	C4-1/8-T0-1782-F
ASA4R13	0757-0199	3		RESISTOR 21.5K 1% .125W F TC=0+100	24546	C4-1/8-T0-2152-F
2549A AND ABOVE ASA4R12	0698-3158	4		RESISTOR 23.7K 1% .125W F TC=0+100	24546	C4-1/8-T0-2372-F
ASA4R13	0757-0123	3		RESISTOR 34.8K 1% .125W F TC=0+100	24546	C4-1/8-T0-3482-F
ASA4R14	0698-3157	3	3	RESISTOR 19.8K 1% .125W F TC=0+100	24546	C4-1/8-T0-1982-F
ASA4R15	0757-0442	9		RESISTOR 10K 1% .125W F TC=0+100	24546	C4-1/8-T0-1002-F
2234A TO 2419A ASA4R16	0698-3159	5		RESISTOR 26.1K 1% .125W F TC=0+100	24546	C4-1/8-T0-2612-F
2441A TO 2548A ASA4R16	0698-3156	2		RESISTOR 14.7K 1% .125W F TC=0+100	24546	C4-1/8-T0-1472-F
2549A AND ABOVE ASA4R16	0698-3160	6		RESISTOR 31.6K 1% .125W F TC=0+100	24546	C4-1/8-T0-3162-F
ASA4R17	0757-0438	3	8	RESISTOR 5.11K 1% .125W F TC=0+100	24546	C4-1/8-T0-5111-F
ASA4R18	0757-0438	3		RESISTOR 5.11K 1% .125W F TC=0+100	24546	C4-1/8-T0-5111-F
2234A TO 2419A ASA4R19	0698-3160	8	3	RESISTOR 31.6K 1% .125W F TC=0+100	24546	C4-1/8-T0-3162-F
2441A AND ABOVE ASA4R19	0757-0462	3	1	RESISTOR 75K 1% .125W F TC=0+100	24546	C4-1/8-T0-7502-F
ASA4R20	0698-3444	1	4	RESISTOR 316 1% .125W F TC=0+100	24546	C4-1/8-T0-316R-F
ASA4R21	0757-0438	3		RESISTOR 5.11K 1% .125W F TC=0+100	24546	C4-1/8-T0-5111-F
ASA4R22	0698-3156	2		RESISTOR 14.7K 1% .125W F TC=0+100	24546	C4-1/8-T0-1472-F
ASA4R23	0757-0418	9	7	RESISTOR 619 1% .125W F TC=0+100	24546	C4-1/8-T0-619R-F
2234A TO 2548A ASA4R24	0757-0384	0		RESISTOR 51.1 1% .125W F TC=0+100	24546	C4-1/8-T0-51R1-F
ASA4R25	0698-3447	4	3	RESISTOR 422 1% .125W F TC=0+100	24546	C4-1/8-T0-422R-F
2549A TO 2615A ASA4R24	0698-3447	4		RESISTOR 422 1% .125W F TC=0+100	24546	C4-1/8-T0-422R-F
ASA4R25	0757-0280	3		RESISTOR 1K 1% .125W F TC=0+100	24546	C4-1/8-T0-1001-F
2619A AND ABOVE ASA4R24	0698-3432	7	4	RESISTOR 26.1 1% .125W F TC=0+100	03888	PME55-1/8-T0-26R1-F
ASA4R25	0698-3444	1	4	RESISTOR 316 1% .125W F TC=0+100	24546	C4-1/8-T0-316R-F

Table 4-3. Replaceable Parts

A3A4R28	0757-0346	2	RESISTOR 10 1% .125W F TC=0+-100	24546	C4-1/8-T0-10R0-F
2234A TO 2419A					
A3A4R27	0698-0084	9	RESISTOR 2.15K 1% .125W F TC=0+-100	24546	C4-1/8-T0-2151-F
A3A4R28	0698-0084	9	RESISTOR 2.15K 1% .125W F TC=0+-100	24546	C4-1/8-T0-2151-F
2441A to 2827A					
A3A4R27	0757-0274	5	RESISTOR 1.21K 1% .125W F TC=0+-100	24546	C4-1/8-T0-1211-F
A3A4R28	0757-0274	5	RESISTOR 1.21K 1% .125W F TC=0+-100	24546	C4-1/8-T0-1211-F
2938A AND ABOVE					
A3A4R27	0757-0338	2	RESISTOR 1K 1% .25W F TC=0+-100	24546	G5-1/4-T0-1001-F
A3A4R28	0757-0338	2	RESISTOR 1K 1% .25W F TC=0+-100	24546	G5-1/4-T0-1001-F
A3A4R29	0698-3447	4	RESISTOR 422 1% .125W F TC=0+-100	24546	C4-1/8-T0-422R-F
A3A4R30	0698-3154	0	RESISTOR 4.22K 1% .125W F TC=0+-100	24546	C4-1/8-T0-4221-F
A3A4R31	0757-0180	2	RESISTOR 31.6 1% .125W F TC=0+-100	28480	0757-0180
A3A4R32	0698-3154	0	RESISTOR 4.22K 1% .125W F TC=0+-100	24546	C4-1/8-T0-4221-F
A3A4R33	0757-0401	0	RESISTOR 100 1% .125W F TC=0+-100	24546	C4-1/8-T0-101-F
A3A4R34	0698-3432	7	RESISTOR 26.1 1% .125W F TC=0+-100	03888	PME55-1/8-T0-26R1-F
A3A4R35	0698-0084	9	RESISTOR 2.15K 1% .125W F TC=0+-100	24546	C4-1/8-T0-2151-F
A3A4R36	0698-3152	8	RESISTOR 3.48K 1% .125W F TC=0+-100	24546	C4-1/8-T0-3481-F
A3A4R37	0698-0084	9	RESISTOR 2.15K 1% .125W F TC=0+-100	24546	C4-1/8-T0-2151-F
A3A4R38	0698-3152	8	RESISTOR 3.48K 1% .125W F TC=0+-100	24546	C4-1/8-T0-3481-F
A3A4R39	0757-0420	3	RESISTOR 750 1% .125W F TC=0+-100	24546	C4-1/8-T0-751-F
A3A4R40	0698-3432	7	RESISTOR 26.1 1% .125W F TC=0+-100	03888	PME55-1/8-T0-26R1-F
A3A4R41	0698-3442	9	RESISTOR 237 1% .125W F TC=0+-100	24546	C4-1/8-T0-237R-F
A3A4R42	0757-0420	3	RESISTOR 750 1% .125W F TC=0+-100	24546	C4-1/8-T0-751-F
A3A4R43	0698-3442	9	RESISTOR 237 1% .125W F TC=0+-100	24546	C4-1/8-T0-237R-F
A3A4R44	0698-3152	8	RESISTOR 3.48K 1% .125W F TC=0+-100	24546	C4-1/8-T0-3481-F
A3A4R45	0698-3152	8	RESISTOR 3.48K 1% .125W F TC=0+-100	24546	C4-1/8-T0-3481-F
A3A4R46	0757-0420	3	RESISTOR 750 1% .125W F TC=0+-100	24546	C4-1/8-T0-751-F
A3A4R47	0698-0084	9	RESISTOR 2.15K 1% .125W F TC=0+-100	24546	C4-1/8-T0-2151-F
A3A4R48	0757-0420	3	RESISTOR 750 1% .125W F TC=0+-100	24546	C4-1/8-T0-751-F
A3A4R49	0698-0084	9	RESISTOR 2.15K 1% .125W F TC=0+-100	24546	C4-1/8-T0-2151-F
A3A4R50	0698-3438	3	RESISTOR 147 1% .125W F TC=0+-100	24546	C4-1/8-T0-147R-F
A3A4R51	0757-0401	0	RESISTOR 100 1% .125W F TC=0+-100	24546	C4-1/8-T0-101-F
A3A4R52	0698-3443	0	RESISTOR 287 1% .125W F TC=0+-100	24546	C4-1/8-T0-287R-F
A3A4R53	0698-3443	0	RESISTOR 287 1% .125W F TC=0+-100	24546	C4-1/8-T0-287R-F
A3A4R54	0757-0294	9	RESISTOR 17.8 1% .125W F TC=0+-100	19701	MF4C1/8-T0-17R8-F
A3A4R55	0757-0294	9	RESISTOR 17.8 1% .125W F TC=0+-100	19701	MF4C1/8-T0-17R8-F
A3A4R56	0698-3443	0	RESISTOR 287 1% .125W F TC=0+-100	24546	C4-1/8-T0-287R-F
A3A4R57	0698-3443	0	RESISTOR 287 1% .125W F TC=0+-100	24546	C4-1/8-T0-287R-F
A3A4T1	08640-80355	0	TRANSFORMER, RF BLUE	28480	08640-80355
A3A4TP1	1251-0600	0	CONNECTOR-SGL CONT PIN 1.14-MM-BSC-SZ SQ	28480	1251-0600
A3A4TP2	1251-0600	0	CONNECTOR-SGL CONT PIN 1.14-MM-BSC-SZ SQ	28480	1251-0600
A3A4TP3	1251-0600	0	CONNECTOR-SGL CONT PIN 1.14-MM-BSC-SZ SQ	28480	1251-0600
A3A4TP4	1251-0600	0	CONNECTOR-SGL CONT PIN 1.14-MM-BSC-SZ SQ	28480	1251-0600
A3A4TP5	1251-0600	0	CONNECTOR-SGL CONT PIN 1.14-MM-BSC-SZ SQ	28480	1251-0600
A3A4TP6	1251-0600	0	CONNECTOR-SGL CONT PIN 1.14-MM-BSC-SZ SQ	28480	1251-0600
A3A4TP7	1251-0600	0	CONNECTOR-SGL CONT PIN 1.14-MM-BSC-SZ SQ	28480	1251-0600
A3A4TP8	1251-0600	0	CONNECTOR-SGL CONT PIN 1.14-MM-BSC-SZ SQ	28480	1251-0600
A3A4TP9	1251-0600	0	CONNECTOR-SGL CONT PIN 1.14-MM-BSC-SZ SQ	28480	1251-0600

Table 6-3. Replaceable Parts

Reference Designation	HP Part Number	C D	Qty.	Description	Mfr. Code	Mfr. Part Number
A3A5						
A3A5	08882-60141	8	1	SUM LOOP MIXER	28480	08882-60141
A3A5C1	0180-2055	9	2	CAPACITOR-FXD .01UF +80-20% 100VDC CER	28480	0180-2055
A3A5C2	0180-3456	8	6	CAPACITOR-FXD 1000PF +-10% 1KVDC CER	28480	0180-3456
A3A5C3	0180-2619	3		CAPACITOR-FXD 22UF+-10% 15VDC TA	25088	D22GS1B15K
A3A5C4	0180-3456	8		CAPACITOR-FXD 1000PF +-10% 1KVDC CER	28480	0180-3456
A3A5C5	0180-2055	9		CAPACITOR-FXD .01UF +80-20% 100VDC CER	28480	0180-2055
A3A5C6	0180-3455	5		CAPACITOR-FXD 470PF +-10% 1KVDC CER	28480	0180-3455
A3A5C7	0180-3456	8		CAPACITOR-FXD 1000PF +-10% 1KVDC CER	28480	0180-3456
A3A5C8	0180-3456	8		CAPACITOR-FXD 1000PF +-10% 1KVDC CER	28480	0180-3456
A3A5C9	0180-3456	8		CAPACITOR-FXD 1000PF +-10% 1KVDC CER	28480	0180-3456
A3A5C10	0180-3878	6		CAPACITOR-FXD 1000PF +-20% 100VDC CER	28480	0180-3878
A3A5C11	0180-3878	6		CAPACITOR-FXD 1000PF +-20% 100VDC CER	28480	0180-3878
A3A5C12	0180-3878	6		CAPACITOR-FXD 1000PF +-20% 100VDC CER	28480	0180-3878
A3A5C13	0180-3878	6		CAPACITOR-FXD 1000PF +-20% 100VDC CER	28480	0180-3878
A3A5C14	0180-0570	9		CAPACITOR-FXD 220PF +-20% 100VDC CER	20892	5024EM100RD221M
A3A5C15	0140-0210	2		CAPACITOR-FXD 270PF +-5% 300VDC MICA	72136	DM15F271J0300WV1CR
A3A5C16	0180-0134	1	1	CAPACITOR-FXD 220PF +-5% 300VDC MICA	28480	0180-0134
A3A5C17	0140-0197	4	4	CAPACITOR-FXD 180PF +-5% 300VDC MICA	72136	DM15F181J0300WV1CR
A3A5C18	0140-0198	3	1	CAPACITOR-FXD 150PF +-5% 300VDC MICA	72136	DM15F151J0300WV1CR
A3A5C19	0180-0168	1	5	CAPACITOR-FXD .1UF +-10% 200VDC POLYE	28480	0180-0168
A3A5C20	0180-0168	1		CAPACITOR-FXD .1UF +-10% 200VDC POLYE	28480	0180-0168
A3A5C21	0180-0168	1		CAPACITOR-FXD .1UF +-10% 200VDC POLYE	28480	0180-0168
A3A5C22	0180-0168	1		CAPACITOR-FXD .1UF +-10% 200VDC POLYE	28480	0180-0168
A3A5C23	0180-3456	6		CAPACITOR-FXD 1000PF +-10% 1KVDC CER	28480	0180-3456
2234A TO 2416A						
A3A5C24-25						
2419A AND ABOVE						
A3A5C24	0180-4803	9	2	CAPACITOR-FXD 88PF +-5% 100VDC CER 0+-30	28480	0180-4803
A3A5C25	0180-4803	9		CAPACITOR-FXD 88PF +-5% 100VDC CER 0+-30	28480	0180-4803
A3A5CR1	1901-0518	8		DIODE-SM SIG SCHOTTKY	28480	1901-0518
A3A5CR2	1901-0518	8		DIODE-SM SIG SCHOTTKY	28480	1901-0518
A3A5CR3	1901-0518	8		DIODE-SM SIG SCHOTTKY	28480	1901-0518
A3A5CR4	1901-0518	8		DIODE-SM SIG SCHOTTKY	28480	1901-0518
A3A5CR5	1901-0040	1		DIODE-SWITCHING 30V 50MA 2NS DO-35	28480	1901-0040
A3A5J1	1250-1220	0		CONNECTOR-RF SMC M PC 50-OHM	28480	1250-1220
	2190-0124	4		WASHER-LK INTL T NO. 10 .195-IN-ID	28480	2190-0124
	2950-0078	9		NUT-HEX-DBL-CHAM 10-32-THD .067-IN-THK	28480	2950-0078
A3A5J2	1250-1220	0		CONNECTOR-RF SMC M PC 50-OHM	28480	1250-1220
	2190-0124	4		WASHER-LK INTL T NO. 10 .195-IN-ID	28480	2190-0124
	2950-0078	9		NUT-HEX-DBL-CHAM 10-32-THD .067-IN-THK	28480	2950-0078
A3A5L1	9140-0096	1	1	INDUCTOR RF-CH-MLD 1UH 10% .166DX.385LG	28480	9140-0096
A3A5L2	9140-0112	2	1	INDUCTOR RF-CH-MLD 4.7UH 10%	28480	9140-0112
A3A5L3	9100-1612	5	2	INDUCTOR RF-CH-MLD 330NH 20%	28480	9100-1612
A3A5L4	9100-1612	5		INDUCTOR RF-CH-MLD 330NH 20%	28480	9100-1612
A3A5L5	9100-1628	3	1	INDUCTOR RF-CH-MLD 49UH 5% .166DX.385LG	28480	9100-1628
A3A5L6	9100-1629	4		INDUCTOR RF-CH-MLD 47UH 5% .166DX.385LG	28480	9100-1629
A3A5L7	9100-1621	6	1	INDUCTOR RF-CH-MLD 18UH 10% .166DX.385LG	28480	9100-1621
A3A5MP1	08882-20062	8	1	COVER- 1/2	28480	08882-20062
	2360-0113	2		SCREW-MACH 6-32 .25-IN-LG PAN-HD-POZI	00000	ORDER BY DESCRIPTION
A3A5MP2	5001-0176	0		GROUND STRAP	28480	5001-0176
A3A5MP3	5001-0176	0		GROUND STRAP	28480	5001-0176
2234A TO 2416A						
A3A5MP4-7						
2419A AND ABOVE						
A3A5MP4	0360-0124	3	2	CONNECTOR-SGL CONT PIN .04-IN-BSC-SZ RND	28480	0360-0124
A3A5MP5	0360-0124			CONNECTOR-SGL CONT PIN .04-IN-BSC-SZ RND	28480	0360-0124
A3A5MP6	0360-0124		2	CONNECTOR-SGL CONT PIN .04-IN-BSC-SZ RND	28480	0360-0124
A3A5MP7	0360-0124			CONNECTOR-SGL CONT PIN .04-IN-BSC-SZ RND	28480	0360-0124

†Refer to Section 7 for update information.

*Factory Selected Component (Refer to Section 5).

Table 6-3. Replaceable Parts

Reference Designation	HP Part Number	C D	Qty.	Description	Mfr. Code	Mfr. Part Number
A3A5Q1	1854-0404	0		TRANSISTOR NPN SI TO-18 PD=380MW	28480	1854-0404
A3A5Q2	1854-0404	0		TRANSISTOR NPN SI TO-18 PD=380MW	28480	1854-0404
A3A5R1	0898-3430	5	1	RESISTOR 21.5 1% .125W F TC=0+-100	03888	PME55-1/8-T0-21R5-F
A3A5R2	0757-0421	4		RESISTOR 825 1% .125W F TC=0+-100	24546	C4-1/8-T0-825R-F
A3A5R3	0898-3132	4		RESISTOR 261 1% .125W F TC=0+-100	24546	C4-1/8-T0-2610-F
A3A5R4	0898-3439	4	2	RESISTOR 178 1% .125W F TC=0+-100	24546	C4-1/8-T0-178R-F
A3A5R5	0898-7212	9		RESISTOR 100 1% .05W F TC=0+-100	24546	C3-1/8-T0-100R-F
A3A5R6	0898-7208	3	1	RESISTOR 88.1 1% .05W F TC=0+-100	24546	C3-1/8-T0-88R1-F
A3A5R7	0898-3443	0		RESISTOR 287 1% .125W F TC=0+-100	24546	C4-1/8-T0-287R-F
A3A5R8	0898-7212	9		RESISTOR 100 1% .05W F TC=0+-100	24546	C3-1/8-T0-100R-F
A3A5R9	0757-0294	9		RESISTOR 17.8 1% .125W F TC=0+-100	19701	MF4C1/8-T0-17R8-F
A3A5R10	0898-3447	4		RESISTOR 422 1% .125W F TC=0+-100	24546	C4-1/8-T0-422R-F
A3A5R11	0898-3443	0		RESISTOR 287 1% .125W F TC=0+-100	24546	C4-1/8-T0-287R-F
A3A5R12	0898-7220	9		RESISTOR 215 1% .05W F TC=0+-100	24546	C3-1/8-T0-215R-F
2294A TO 2614A						
A3A5R13	0757-0416	7		RESISTOR 511 1% .125W F TC=0+-100	24546	C4-1/8-T0-511R-F
A3A5R14	0757-0416	7		RESISTOR 511 1% .125W F TC=0+-100	24546	C4-1/8-T0-511R-F
2419A AND ABOVE						
A3A5R13	0898-3443	0		RESISTOR 287 1% .125W F TC=0+-100	24546	C4-1/8-T0-287R-F
A3A5R14	0898-3443	0		RESISTOR 287 1% .125W F TC=0+-100	24546	C4-1/8-T0-287R-F
A3A5R15	0757-0416	7		RESISTOR 511 1% .125W F TC=0+-100	24546	C4-1/8-T0-511R-F
A3A5R16	0757-0416	7		RESISTOR 511 1% .125W F TC=0+-100	24546	C4-1/8-T0-511R-F
A3A5R17	0757-0394	0		RESISTOR 51.1 1% .125W F TC=0+-100	24546	C4-1/8-T0-51R1-F
A3A5R18	0898-3151	7		RESISTOR 2.87K 1% .125W F TC=0+-100	24546	C4-1/8-T0-2871-F
A3A5R19	0757-0416	7		RESISTOR 511 1% .125W F TC=0+-100	24546	C4-1/8-T0-511R-F
A3A5R20	0757-0398	4	1	RESISTOR 75 1% .125W F TC=0+-100	24546	C4-1/8-T0-75R0-F
A3A5R21	0898-3151	7		RESISTOR 2.87K 1% .125W F TC=0+-100	24546	C4-1/8-T0-2871-F
A3A5R22	0898-3445	2		RESISTOR 348 1% .125W F TC=0+-100	24546	C4-1/8-T0-348R-F
A3A5R23	0757-0416	7		RESISTOR 511 1% .125W F TC=0+-100	24546	C4-1/8-T0-511R-F
A3A5R24	0757-0416	7		RESISTOR 511 1% .125W F TC=0+-100	24546	C4-1/8-T0-511R-F
A3A5R25	0898-0084	9		RESISTOR 2.15K 1% .125W F TC=0+-100	24546	C4-1/8-T0-2151-F
A3A5R26	0898-3442	9		RESISTOR 237 1% .125W F TC=0+-100	24546	C4-1/8-T0-237R-F
A3A5TP1	1251-0600	0		CONNECTOR-SGL CONT PIN 1.14-MM-BSC-SZ SQ	28480	1251-0600
A3A5TP2	1251-0600	0		CONNECTOR-SGL CONT PIN 1.14-MM-BSC-SZ SQ	28480	1251-0600
A3A5TP3	1251-0600	0		CONNECTOR-SGL CONT PIN 1.14-MM-BSC-SZ SQ	28480	1251-0600
A3A5TP4	1251-0600	0		CONNECTOR-SGL CONT PIN 1.14-MM-BSC-SZ SQ	28480	1251-0600
A3A5TP5	1251-0600	0		CONNECTOR-SGL CONT PIN 1.14-MM-BSC-SZ SQ	28480	1251-0600
A3A5TP6	1251-0600	0		CONNECTOR-SGL CONT PIN 1.14-MM-BSC-SZ SQ	28480	1251-0600
A3A5TP7	1251-0600	0		CONNECTOR-SGL CONT PIN 1.14-MM-BSC-SZ SQ	28480	1251-0600
A3A5U1	1826-0372	2	3	LIMITER	28480	1826-0372
2294A TO 2416A						
NOTE WHEN REPLACING US OR US, REFER TO SECTION 7 FOR IMPORTANT UPDATE INFORMATION						
A3A5U2 †	1820-3517	1	4	IC DIVR ECL VAR-MODULO	28480	1820-3517
A3A5U3 †	1820-3517	1	4	IC DIVR ECL VAR-MODULO	28480	1820-3517
2419A AND ABOVE						
A3A5U2	1820-3517	1	4	IC DIVR ECL VAR-MODULO	28480	1820-3517
A3A5U3	1820-3517	1	4	IC DIVR ECL VAR-MODULO	28480	1820-3517
A3A5U4	1820-1344	8	2	IC PL LOOP 14-DIP-C PKG	04713	MC12040L
A3A5U5	1826-0026	3		IC COMPARATOR PRON TO-99 PKG	01295	LM311L
A3A5U6	1820-0704	2	2	IC MV TTL MONOSTBL RETRIG	01295	SN74122N
A3A5U7	0955-0095	8	2	MIXER,SRAI	28480	0955-0095

†Refer to Section 7 for update information.

*Factory Selected Component (Refer to Section 5).

Table 6-3. Replaceable Parts

Reference Designation	HP Part Number	C D	Qty.	Description	Mfr. Code	Mfr. Part Number
A3A6						
A3A6	08862-80142	9	1	SUM LOOP PHASE DETECTOR AND PRETUNE	28480	08862-80142
A3A6C1	0160-4084	8		CAPACITOR-FXD .1UF +-20% 50VDC CER	28480	0160-4084
A3A6C2	0160-4084	8		CAPACITOR-FXD .1UF +-20% 50VDC CER	28480	0160-4084
A3A6C3	0160-4084	8		CAPACITOR-FXD .1UF +-20% 50VDC CER	28480	0160-4084
A3A6C4	0160-3879	7		CAPACITOR-FXD .01UF +-20% 100VDC CER	28480	0160-3879
A3A6C5	0160-3879	7		CAPACITOR-FXD .01UF +-20% 100VDC CER	28480	0160-3879
A3A6C6	0160-3878	6		CAPACITOR-FXD 1000PF +-20% 100VDC CER	28480	0160-3878
A3A6C7	0160-4084	8		CAPACITOR-FXD .1UF +-20% 50VDC CER	28480	0160-4084
A3A6C8	0160-3879	7		CAPACITOR-FXD .01UF +-20% 100VDC CER	28480	0160-3879
A3A6C9	0160-3879	7		CAPACITOR-FXD .01UF +-20% 100VDC CER	28480	0160-3879
A3A6C10	0160-3879	7		CAPACITOR-FXD .01UF +-20% 100VDC CER	28480	0160-3879
A3A6C11	0160-4084	8		CAPACITOR-FXD .1UF +-20% 50VDC CER	28480	0160-4084
A3A6C12	0160-3879	7		CAPACITOR-FXD .01UF +-20% 100VDC CER	28480	0160-3879
A3A6C13	0160-3875	3	14	CAPACITOR-FXD 22PF +-5% 200VDC CER 0+-30	28480	0160-3875
A3A6C14	0160-3879	7		CAPACITOR-FXD .01UF +-20% 100VDC CER	28480	0160-3879
A3A6C15	0160-3879	7		CAPACITOR-FXD .01UF +-20% 100VDC CER	28480	0160-3879
A3A6C16	0160-3879	7		CAPACITOR-FXD .01UF +-20% 100VDC CER	28480	0160-3879
A3A6C17	0160-3879	7		CAPACITOR-FXD .01UF +-20% 100VDC CER	28480	0160-3879
A3A6C18	0160-3879	7		CAPACITOR-FXD .01UF +-20% 100VDC CER	28480	0160-3879
A3A6C19	0160-0939	4		CAPACITOR-FXD 430PF +-5% 300VDC MICA	28480	0160-0939
A3A6C20	0140-0197	4		CAPACITOR-FXD 180PF +-5% 300VDC MICA	72136	DM15F181J0300WV1CR
A3A6C21	0140-0197	4		CAPACITOR-FXD 180PF +-5% 300VDC MICA	72136	DM15F181J0300WV1CR
A3A6C22	0160-2202	8	1	CAPACITOR-FXD 75PF +-5% 300VDC MICA	28480	0160-2202
A3A6C23	0160-0939	4		CAPACITOR-FXD 430PF +-5% 300VDC MICA	28480	0160-0939
A3A6C24	0140-0197	4		CAPACITOR-FXD 180PF +-5% 300VDC MICA	72136	DM15F181J0300WV1CR
A3A6C25	0160-4084	8		CAPACITOR-FXD .1UF +-20% 50VDC CER	28480	0160-4084
A3A6C26	0160-0573	2		CAPACITOR-FXD 4700PF +-20% 100VDC CER	28480	0160-0573
A3A6C27	0160-0575	4	5	CAPACITOR-FXD .047UF +-20% 50VDC CER	28480	0160-0575
A3A6C28	0160-0127	2	2	CAPACITOR-FXD 1UF +-20% 25VDC CER	28480	0160-0127
A3A6C29	0160-0573	2		CAPACITOR-FXD 4700PF +-20% 100VDC CER	28480	0160-0573
A3A6C30	0160-3876	4	3	CAPACITOR-FXD 47PF +-20% 200VDC CER	28480	0160-3876
A3A6C31	0160-0575	4		CAPACITOR-FXD .047UF +-20% 50VDC CER	28480	0160-0575
A3A6C32	0160-3879	7		CAPACITOR-FXD .01UF +-20% 100VDC CER	28480	0160-3879
A3A6C33	0160-0574	3	3	CAPACITOR-FXD .022UF +-20% 100VDC CER	28480	0160-0574
A3A6C34	0160-3878	6		CAPACITOR-FXD 1000PF +-20% 100VDC CER	28480	0160-3878
A3A6C35	0160-0574	3		CAPACITOR-FXD .022UF +-20% 100VDC CER	28480	0160-0574
A3A6CR1	1901-0040	1		DIODE-SWITCHING 30V 50MA 2NS DO-35	28480	1901-0040
A3A6CR2	1901-0040	1		DIODE-SWITCHING 30V 50MA 2NS DO-35	28480	1901-0040
A3A6CR3	1901-0040	1		DIODE-SWITCHING 30V 50MA 2NS DO-35	28480	1901-0040
A3A6CR4	1901-0040	1		DIODE-SWITCHING 30V 50MA 2NS DO-35	28480	1901-0040
A3A6CR5	1901-0040	1		DIODE-SWITCHING 30V 50MA 2NS DO-35	28480	1901-0040
A3A6CR6	1901-0040	1		DIODE-SWITCHING 30V 50MA 2NS DO-35	28480	1901-0040
A3A6CR7	1901-0040	1		DIODE-SWITCHING 30V 50MA 2NS DO-35	28480	1901-0040
A3A6DS1	1980-0326	3		DIODE LIGHT EMTR	28480	5082-4444

† Refer to Section 7 for update information.

* Factory Selected Component (Refer to Section 5.)

Table 6-3. Replaceable Parts

Reference Designation	HP Part Number	C D	Qty.	Description	Mfr. Code	Mfr. Part Number
A3A6J1	1250-1220	0		CONNECTOR-RF SMC M PC 50-OHM	28480	1250-1220
	2190-0124	4		WASHER-LK INTL T NO. 10 .185-IN-ID	28480	2190-0124
	2950-0078	9		NUT-HEX-DBL-CHAM 10-32-THD .067-IN-THK	28480	2950-0078
A3A6L1	9140-0144	0		INDUCTOR RF-CH-MLD 4.7UH 10% .105DX.26LG	28480	9140-0144
A3A6L2	9140-0144	0		INDUCTOR RF-CH-MLD 4.7UH 10% .105DX.26LG	28480	9140-0144
A3A6L3	9140-0144	0		INDUCTOR RF-CH-MLD 4.7UH 10% .105DX.26LG	28480	9140-0144
A3A6L4	9100-1636	3	1	INDUCTOR RF-CH-MLD 110UH 5% .168DX.385LG	28480	9100-1636
A3A6L5	9100-1642	1	1	INDUCTOR RF-CH-MLD 270UH 5% .2DX.45LG	28480	9100-1642
A3A6L6	9140-0144	0		INDUCTOR RF-CH-MLD 4.7UH 10% .105DX.26LG	28480	9140-0144
A3A6MP1	08862-00088	6	1	COVER-1/2 END	28480	08862-00088
	2360-0113	2		SCREW-MACH 6-32 .25-IN-LG PAN-HD-POZI	00000	ORDER BY DESCRIPTION
A3A6MP2	5001-0178	0		GROUND STRAP	28480	5001-0178
A3A6MP3	5001-0176	0		GROUND STRAP	28480	5001-0176
A3A6MP4	1205-0202	1	2	THERMAL LINK DUAL TO-18-CS	28480	1205-0202
A3A6Q1	1854-0404	0		TRANSISTOR NPN SI TO-18 PD=360MW	28480	1854-0404
A3A6Q2	1854-0404	0		TRANSISTOR NPN SI TO-18 PD=360MW	28480	1854-0404
A3A6Q3	1854-0404	0		TRANSISTOR NPN SI TO-18 PD=360MW	28480	1854-0404
A3A6Q4	1854-0404	0		TRANSISTOR NPN SI TO-18 PD=360MW	28480	1854-0404
A3A6Q5	1854-0404	0		TRANSISTOR NPN SI TO-18 PD=360MW	28480	1854-0404
A3A6Q6	1854-0404	0		TRANSISTOR NPN SI TO-18 PD=360MW	28480	1854-0404
A3A6Q7	1854-0404	0		TRANSISTOR NPN SI TO-18 PD=360MW	28480	1854-0404
A3A6Q8	1854-0404	0		TRANSISTOR NPN SI TO-18 PD=360MW	28480	1854-0404
A3A6Q9	1854-0404	0		TRANSISTOR NPN SI TO-18 PD=360MW	28480	1854-0404
A3A6Q10	1853-0451	5		TRANSISTOR PNP 2N3799 SI TO-18 PD=360MW	01295	2N3799
A3A6Q11	1853-0451	5		TRANSISTOR PNP 2N3799 SI TO-18 PD=360MW	01295	2N3799
A3A6Q12	1854-0247	9		TRANSISTOR NPN SI TO-39 PD=1W FT=800MHZ	28480	1854-0247
	1205-0011	0	4	HEAT SINK TO-5/TO-39-CS	28480	1205-0011
2234A TO 2552A A3A6Q13	1854-0475	5	2	TRANSISTOR-DUAL NPN PD=750MW	28480	1854-0475
2601A AND ABOVE A3A6Q13	1854-1046	8		TRANSISTOR-DUAL NPN TO-78 PD=750MW	28480	1854-1046
A3A6Q14	1854-0404	0		TRANSISTOR NPN SI TO-18 PD=360MW	28480	1854-0404
	1205-0037	0		HEAT SINK TO-18-CS	28480	1205-0037
A3A6Q15	1853-0451	5		TRANSISTOR PNP 2N3799 SI TO-18 PD=360MW	01295	2N3799
A3A6R1	0698-7235	8	8	RESISTOR 909 1% .05W F TC=0+-100	24546	C3-1/8-TO-909R-F
A3A6R2	0698-7205	0	12	RESISTOR 51.1 1% .05W F TC=0+-100	24546	C3-1/8-TO-51R1-F
A3A6R3	0698-7245	8	8	RESISTOR 2.37K 1% .05W F TC=0+-100	24546	C3-1/8-TO-2371-F
A3A6R4	0698-7235	6		RESISTOR 909 1% .05W F TC=0+-100	24546	C3-1/8-TO-909R-F
A3A6R5	1810-0207	9	1	NETWORK-RES 6-SIP22.0K OHM X 7	01121	208A223
A3A6R6	0698-7229	8		RESISTOR 511 1% .05W F TC=0+-100	24546	C3-1/8-TO-511R-F
A3A6R7	0698-7245	8		RESISTOR 2.37K 1% .05W F TC=0+-100	24546	C3-1/8-TO-2371-F
A3A6R8	0698-7235	6		RESISTOR 909 1% .05W F TC=0+-100	24546	C3-1/8-TO-909R-F
A3A6R9	0757-0447	4	1	RESISTOR 16.2K 1% .125W F TC=0+-100	24546	C4-1/8-TO-1622-F
A3A6R10	0698-7245	8		RESISTOR 2.37K 1% .05W F TC=0+-100	24546	C3-1/8-TO-2371-F
A3A6R11	0698-7235	6		RESISTOR 909 1% .05W F TC=0+-100	24546	C3-1/8-TO-909R-F
A3A6R12	0698-7260	7		RESISTOR 10K 1% .05W F TC=0+-100	24546	C3-1/8-TO-1002-F
A3A6R13	0698-3200	7	1	RESISTOR 8K 1% .125W F TC=0+-100	24546	C4-1/8-TO-8001-F
A3A6R14	0898-7232	3		RESISTOR 881 1% .05W F TC=0+-100	24546	C3-1/8-TO-881R-F
A3A6R15	0698-7235	6		RESISTOR 909 1% .05W F TC=0+-100	24546	C3-1/8-TO-909R-F
A3A6R16	0698-7252	7	3	RESISTOR 4.64K 1% .05W F TC=0+-100	24546	C3-1/8-TO-4641-F

† Refer to Section 7 for update information.

* Factory Selected Component (Refer to Section 5.)

Table 6-3. Replaceable Parts

Reference Designation	HP Part Number	C D	Qty.	Description	Mfr. Code	Mfr. Part Number
A3A6R17	0698-7234	5		RESISTOR 825 1% .05W F TC=0+-100	24548	C3-1/8-T0-825R-F
A3A6R18	0698-7260	7		RESISTOR 10K 1% .05W F TC=0+-100	24548	C3-1/8-T0-1002-F
A3A6R19	0698-8547	5	1	RESISTOR 4K .5% .1W F TC=0+-5	28480	0698-8547
A3A6R20	0698-7248	1		RESISTOR 3.16K 1% .05W F TC=0+-100	24548	C3-1/8-T0-3161-F
A3A6R21	0698-7212	9		RESISTOR 100 1% .05W F TC=0+-100	24548	C3-1/8-T0-100R-F
A3A6R22	0698-7252	7		RESISTOR 4.84K 1% .05W F TC=0+-100	24548	C3-1/8-T0-4841-F
A3A6R23	0698-7799	7	1	RESISTOR 2K .25% .125W F TC=0+-100	19701	MF4C1/8-T0-2001-C
A3A6R24	0698-7245	8		RESISTOR 2.37K 1% .05W F TC=0+-100	24548	C3-1/8-T0-2371-F
A3A6R25	0698-7235	6		RESISTOR 809 1% .05W F TC=0+-100	24548	C3-1/8-T0-909R-F
A3A6R26	0757-0470	3	1	RESISTOR 182K 1% .125W F TC=0+-100	24548	C4-1/8-T0-1823-F
A3A6R27	0698-7245	8		RESISTOR 2.37K 1% .05W F TC=0+-100	24548	C3-1/8-T0-2371-F
A3A6R28	0698-7235	6		RESISTOR 809 1% .05W F TC=0+-100	24548	C3-1/8-T0-909R-F
A3A6R29	0757-0463	4	1	RESISTOR 82.5K 1% .125W F TC=0+-100	24548	C4-1/8-T0-8252-F
A3A6R30	0698-7245	8		RESISTOR 2.37K 1% .05W F TC=0+-100	24548	C3-1/8-T0-2371-F
A3A6R31	0698-3161	9		RESISTOR 38.3K 1% .125W F TC=0+-100	24548	C4-1/8-T0-3832-F
A3A6R32	0698-7229	8		RESISTOR 511 1% .05W F TC=0+-100	24548	C3-1/8-T0-511R-F
A3A6R33	0698-3157	3		RESISTOR 19.6K 1% .125W F TC=0+-100	24548	C4-1/8-T0-1962-F
A3A6R34	0698-7229	8		RESISTOR 511 1% .05W F TC=0+-100	24548	C3-1/8-T0-511R-F
A3A6R35	0698-7229	8		RESISTOR 511 1% .05W F TC=0+-100	24548	C3-1/8-T0-511R-F
A3A6R36	0757-0420	3		RESISTOR 750 1% .125W F TC=0+-100	24548	C4-1/8-T0-751-F
A3A6R37	0757-0438	3		RESISTOR 5.11K 1% .125W F TC=0+-100	24548	C4-1/8-T0-5111-F
A3A6R38	0757-0438	3		RESISTOR 5.11K 1% .125W F TC=0+-100	24548	C4-1/8-T0-5111-F
A3A6R39	0698-7212	9		RESISTOR 100 1% .05W F TC=0+-100	24548	C3-1/8-T0-100R-F
A3A6R40	0698-7229	8		RESISTOR 511 1% .05W F TC=0+-100	24548	C3-1/8-T0-511R-F
A3A6R41	0698-7222	1		RESISTOR 261 1% .05W F TC=0+-100	24548	C3-1/8-T0-261R-F
A3A6R42	0698-7248	1		RESISTOR 3.16K 1% .05W F TC=0+-100	24548	C3-1/8-T0-3161-F
A3A6R43	0698-7229	8		RESISTOR 511 1% .05W F TC=0+-100	24548	C3-1/8-T0-511R-F
A3A6R44	0757-0418	0	3	RESISTOR 681 1% .125W F TC=0+-100	24548	C4-1/8-T0-681R-F
A3A6R45	0757-0419	0		RESISTOR 681 1% .125W F TC=0+-100	24548	C4-1/8-T0-681R-F
A3A6R46	0698-7212	9		RESISTOR 100 1% .05W F TC=0+-100	24548	C3-1/8-T0-100R-F
A3A6R47	0757-0280	3		RESISTOR 1K 1% .125W F TC=0+-100	24548	C4-1/8-T0-1001-F
A3A6R48	0698-7212	9		RESISTOR 100 1% .05W F TC=0+-100	24548	C3-1/8-T0-100R-F
A3A6R49	0698-7263	0		RESISTOR 13.3K 1% .05W F TC=0+-100	24548	C3-1/8-T0-1332-F
A3A6R50	0698-3151	7		RESISTOR 2.87K 1% .125W F TC=0+-100	24548	C4-1/8-T0-2871-F
A3A6R51	0698-7205	0		RESISTOR 51.1 1% .05W F TC=0+-100	24548	C3-1/8-T0-511R-F
A3A6R52	0698-7212	9		RESISTOR 100 1% .05W F TC=0+-100	24548	C3-1/8-T0-100R-F
A3A6R53	0698-3444	1		RESISTOR 316 1% .125W F TC=0+-100	24548	C4-1/8-T0-316R-F
A3A6R54	0698-7256	1	1	RESISTOR 8.81K 1% .05W F TC=0+-100	24548	C3-1/8-T0-8811-F
A3A6R55	0698-7249	2		RESISTOR 3.48K 1% .05W F TC=0+-100	24548	C3-1/8-T0-3481-F
A3A6R56	0698-7205	0		RESISTOR 51.1 1% .05W F TC=0+-100	24548	C3-1/8-T0-511R-F
A3A6R57	0698-7229	8		RESISTOR 511 1% .05W F TC=0+-100	24548	C3-1/8-T0-511R-F
A3A6R58	0698-3444	1		RESISTOR 316 1% .125W F TC=0+-100	24548	C4-1/8-T0-316R-F
A3A6R59	0698-7229	8		RESISTOR 511 1% .05W F TC=0+-100	24548	C3-1/8-T0-511R-F
A3A6R60	0698-7188	8		RESISTOR 10 1% .05W F TC=0+-100	24548	C3-1/8-T0-10R-F
A3A6R61	0698-7229	8		RESISTOR 511 1% .05W F TC=0+-100	24548	C3-1/8-T0-511R-F
A3A6R62	0698-7253	8		RESISTOR 5.11K 1% .05W F TC=0+-100	24548	C3-1/8-T0-5111-F
A3A6R63	0757-0420	3		RESISTOR 750 1% .125W F TC=0+-100	24548	C4-1/8-T0-751-F
A3A6R64	0698-7188	8		RESISTOR 10 1% .05W F TC=0+-100	24548	C3-1/8-T0-10R-F
A3A6R65	0698-7212	9		RESISTOR 100 1% .05W F TC=0+-100	24548	C3-1/8-T0-100R-F
A3A6R66	0698-7212	9		RESISTOR 100 1% .05W F TC=0+-100	24548	C3-1/8-T0-100R-F

† Refer to Section 7 for update information.

* Factory Selected Component (Refer to Section 5.)

Table 6-3. Replaceable Parts

Reference Designation	HP Part Number	C D	Qty.	Description	Mfr. Code	Mfr. Part Number
A3A6TP1	1251-0800	0		CONNECTOR-SGL CONT PIN 1.14-MM-BSC-SZ SQ	28480	1251-0600
A3A6TP2	1251-0600	0		CONNECTOR-SGL CONT PIN 1.14-MM-BSC-SZ SQ	28480	1251-0600
A3A6TP3	1251-0800	0		CONNECTOR-SGL CONT PIN 1.14-MM-BSC-SZ SQ	28480	1251-0600
A3A6TP4	1251-0800	0		CONNECTOR-SGL CONT PIN 1.14-MM-BSC-SZ SQ	28480	1251-0600
A3A6TP5	1251-0600	0		CONNECTOR-SGL CONT PIN 1.14-MM-BSC-SZ SQ	28480	1251-0600
A3A6TP6	1251-0800	0		CONNECTOR-SGL CONT PIN 1.14-MM-BSC-SZ SQ	28480	1251-0600
A3A6TP7	1251-0800	0		CONNECTOR-SGL CONT PIN 1.14-MM-BSC-SZ SQ	28480	1251-0600
A3A6TP8	1251-0600	0		CONNECTOR-SGL CONT PIN 1.14-MM-BSC-SZ SQ	28480	1251-0600
A3A6U1	1820-3517	1		IC DIVR ECL VAR-MODULO	28480	1820-3517
A3A6U2	1820-0751	9	1	IC CNTR TTL DECD NEG-EDGE-TRIG PRESET	01295	SN74196N
A3A6U3	1820-1197	9		IC GATE TTL LS NAND QUAD 2-INP	01295	SN74LS00N
A3A6U4	1820-1112	9		IC FF TTL LS D-TYPE POS-EDGE-TRIG	01295	SN74LS74AN
A3A6U5	1820-0691	4		IC GATE TTL S NAND QUAD 2-INP	01295	SN74S00N
A3A6U6	1820-0704	2		IC MV TTL MONOSTBL RETRIG	01295	SN74122N

† Refer to Section 7 for update information.

* Factory Selected Component (Refer to Section 5.)

Table 4-3. Replaceable Parts

A3A7

A3A7	08862-80140	7	1	SUM LOOP VCO ASSEMBLY	28480	08862-80140
<i>2234A TO 3003A</i>						
A3A7C1	0160-3534	1	1	CAPACITOR-FXD 510PF +5% 100VDC MICA	28480	0160-3534
<i>3017A and above</i>						
A3A7C1	0160-5812	2	1	CAPACITOR-FXD 510PF +5% 0V CER COG	02010	SA101A511JAAH
A3A7C2	0160-4084	8		CAPACITOR-FXD .1UF +20% 50VDC CER	28480	0160-4084
A3A7C3	0160-4084	8		CAPACITOR-FXD .1UF +20% 50VDC CER	28480	0160-4084
A3A7C4	0160-5216	0		CAPACITOR-FXD .1UF +10% 100VDC CER	28480	0160-5216
A3A7C5	0160-4084	8		CAPACITOR-FXD .1UF +20% 50VDC CER	28480	0160-4084
A3A7C6	0160-0574	3		CAPACITOR-FXD .022UF +20% 100VDC CER	28480	0160-0574
A3A7C7	0160-3879	7		CAPACITOR-FXD .01UF +20% 100VDC CER	28480	0160-3879
A3A7C8	0160-2619	3		CAPACITOR-FXD 22UF +10% 16VDC TA	25088	D22GS1B16K
A3A7C9	0160-3879	7		CAPACITOR-FXD .01UF +20% 100VDC CER	28480	0160-3879
A3A7C10	0160-3879	7		CAPACITOR-FXD .01UF +20% 100VDC CER	28480	0160-3879
A3A7C11	0160-3879	7		CAPACITOR-FXD .01UF +20% 100VDC CER	28480	0160-3879
A3A7C12	0160-4084	8		CAPACITOR-FXD .1UF +20% 50VDC CER	28480	0160-4084
A3A7C13	0160-4084	8		CAPACITOR-FXD .1UF +20% 50VDC CER	28480	0160-4084
A3A7C14	0160-0127	2		CAPACITOR-FXD 1UF +20% 25VDC CER	28480	0160-0127
<i>2234A TO 3003A</i>						
A3A7C15	0160-2208	4	1	CAPACITOR-FXD 330PF +5% 300VDC MICA	28480	0160-2208
<i>3017A and above</i>						
A3A7C15	0160-4810	8	1	CAPACITOR-FXD 330PF +5% 100V CER COG	02010	SA101A331JAAH
<i>2234A TO 3003A</i>						
A3A7C16	0160-2207	3	2	CAPACITOR-FXD 300PF +5% 300VDC MICA	28480	0160-2207
A3A7C17	0160-2207	3		CAPACITOR-FXD 300PF +5% 300VDC MICA	28480	0160-2207
<i>3017A and above</i>						
A3A7C18	0160-5350	3	2	CAPACITOR-FXD 300PF +5% 100V CER COG	06352	DA12C0G2A301J
A3A7C17	0160-5350	3		CAPACITOR-FXD 300PF +5% 100V CER COG	06352	DA12C0G2A301J
A3A7C18	0160-4084	8		CAPACITOR-FXD .1UF +20% 50VDC CER	28480	0160-4084
A3A7C19	0160-3535	2	1	CAPACITOR-FXD 560PF +5% 300VDC MICA	28480	0160-3535
A3A7C20	0160-0888	3	1	CAPACITOR-FXD .33UF +10% 80VDC POLYE	28480	0160-0888
A3A7C21	0160-4084	6		CAPACITOR-FXD .1UF +20% 50VDC CER	28480	0160-4084
A3A7C22	0160-3878	6		CAPACITOR-FXD 1000PF +20% 100VDC CER	28480	0160-3878
A3A7C23	0160-4768	5		CAPACITOR-FXD 470PF +5% 100VDC CER	28480	0160-4768
A3A7C25	0160-0570	8		CAPACITOR-FXD 220PF +20% 100VDC CER	20932	5024EM100RD221M
A3A7C26	0160-3878	6		CAPACITOR-FXD 1000PF +20% 100VDC CER	28480	0160-3878
A3A7C29	0160-3878	6		CAPACITOR-FXD 1000PF +20% 100VDC CER	28480	0160-3878
A3A7C30	0160-3878	6		CAPACITOR-FXD 1000PF +20% 100VDC CER	28480	0160-3878
A3A7C31	0160-3878	6		CAPACITOR-FXD 1000PF +20% 100VDC CER	28480	0160-3878
A3A7C32	0160-2261	9	2	CAPACITOR-FXD 15PF +5% 500VDC CER 0+30	28480	0160-2261
A3A7C33	0160-3878	6		CAPACITOR-FXD 1000PF +20% 100VDC CER	28480	0160-3878
A3A7C34	0160-3879	7		CAPACITOR-FXD .01UF +20% 100VDC CER	28480	0160-3879
A3A7C35	0160-3879	7		CAPACITOR-FXD .01UF +20% 100VDC CER	28480	0160-3879
A3A7C36	0160-2266	4	1	CAPACITOR-FXD 24PF +5% 500VDC CER 0+30	28480	0160-2266
A3A7C37	0160-3879	7		CAPACITOR-FXD .01UF +20% 100VDC CER	28480	0160-3879
A3A7C38	0160-3878	6		CAPACITOR-FXD 1000PF +20% 100VDC CER	28480	0160-3878
A3A7C39	0160-2261	9		CAPACITOR-FXD 15PF +5% 500VDC CER 0+30	28480	0160-2261
A3A7C40	0160-3879	7		CAPACITOR-FXD .01UF +20% 100VDC CER	28480	0160-3879
A3A7C41	0160-2264	2		CAPACITOR-FXD 20PF +5% 500VDC CER 0+30	28480	0160-2264
A3A7CR1	1901-0040	1		DIODE-SWITCHING 30V 50MA 2NS DO-35	28480	1901-0040
A3A7CR2	1901-0040	1		DIODE-SWITCHING 30V 50MA 2NS DO-35	28480	1901-0040
A3A7CR3	1901-0040	1		DIODE-SWITCHING 30V 50MA 2NS DO-35	28480	1901-0040
A3A7CR4	1901-0040	1		DIODE-SWITCHING 30V 50MA 2NS DO-35	28480	1901-0040
A3A7CR5	1901-0040	1		DIODE-SWITCHING 30V 50MA 2NS DO-35	28480	1901-0040
A3A7CR6	1901-0040	1		DIODE-SWITCHING 30V 50MA 2NS DO-35	28480	1901-0040
A3A7CR7	1901-0040	1		DIODE-SWITCHING 30V 50MA 2NS DO-35	28480	1901-0040
A3A7CR8	1901-0040	1		DIODE-SWITCHING 30V 50MA 2NS DO-35	28480	1901-0040
A3A7CR9	1901-0040	1		DIODE-SWITCHING 30V 50MA 2NS DO-35	28480	1901-0040
A3A7CR10	1901-0518	8		DIODE-SM SIG SCHOTTKY	28480	1901-0518

Table 4-3. Replaceable Parts

ASA7CR11	1901-0040	1		DIODE-SWITCHING 30V 50MA 2NS DO-35	28480	1901-0040
ASA7CR12	1901-0040	1		DIODE-SWITCHING 30V 50MA 2NS DO-35	28480	1901-0040
<i>2234A TO 2419A</i>						
ASA7CR13	0122-0065	7		DIODE-VVC 29PF 5%	28480	0122-0065
ASA7CR14	0122-0065	7		DIODE-VVC 29PF 5%	28480	0122-0065
<i>2441A TO 2548A</i>						
ASA7CR13	0122-0162	5		DIODE-VVC 29PF 5.0CR	28480	0122-0162
ASA7CR14	0122-0162	5		DIODE-VVC 29PF 5.0CR	28480	0122-0162
<i>2649A AND ABOVE</i>						
ASA7CR13	0122-0173	8		DIODE-VVC 29PF 10% C3/C25-MIN=5 BVR=30V	28480	0122-0173
ASA7CR14	0122-0173	8		DIODE-VVC 29PF 10% C3/C25-MIN=5 BVR=30V	28480	0122-0173
ASA7CR15	1901-0518	8		DIODE-SM SKG SCHOTTKY	28480	1901-0518
ASA7CR16	1901-0518	8		DIODE-SM SKG SCHOTTKY	28480	1901-0518
ASA7J1	1250-1220	0		CONNECTOR-RF SMC M PC 50-OHM	28480	1250-1220
	2190-0124	4		WASHER-LK INTL T NO. 10 .195-IN-ID	28480	2190-0124
	2950-0078	9		NUT-HEX-DBL-CHAM 10-32-THD .067-IN-THK	28480	2950-0078
ASA7J2	1250-1220	0		CONNECTOR-RF SMC M PC 50-OHM	28480	1250-1220
	2190-0124	4		WASHER-LK INTL T NO. 10 .195-IN-ID	28480	2190-0124
	2950-0078	9		NUT-HEX-DBL-CHAM 10-32-THD .067-IN-THK	28480	2950-0078
ASA7L1	9100-1630	7	2	INDUCTOR RF-CH-MLD 51UH 5% .166DX.385LG	28480	9100-1630
ASA7L2	9140-0144	0		INDUCTOR RF-CH-MLD 4.7UH 10% .105DX.26LG	28480	9140-0144
ASA7L3	9140-0144	0		INDUCTOR RF-CH-MLD 4.7UH 10% .105DX.26LG	28480	9140-0144
ASA7L4	9140-0144	0		INDUCTOR RF-CH-MLD 4.7UH 10% .105DX.26LG	28480	9140-0144
ASA7L5	9100-1629	4		INDUCTOR RF-CH-MLD 47UH 5% .166DX.385LG	28480	9100-1629
ASA7L6	9100-1630	7		INDUCTOR RF-CH-MLD 51UH 5% .166DX.385LG	28480	9100-1630
ASA7L7	9140-0142	8		INDUCTOR RF-CH-MLD 2.2UH 10% .105DX.26LG	28480	9140-0142
ASA7L8	08662-00076	2		INDUCTOR, OSCILLATOR	28480	08662-00076
ASA7L9	9100-2247	4		INDUCTOR RF-CH-MLD 100NH 10% .105DX.26LG	28480	9100-2247
ASA7L10	9100-2251	0		INDUCTOR RF-CH-MLD 220NH 10% .105DX.26LG	28480	9100-2251
ASA7L11	9100-2247	4		INDUCTOR RF-CH-MLD 100NH 10% .105DX.26LG	28480	9100-2247
ASA7L12	9100-2247	4		INDUCTOR RF-CH-MLD 100NH 10% .105DX.26LG	28480	9100-2247
ASA7L13	9100-2251	0		INDUCTOR RF-CH-MLD 220NH 10% .105DX.26LG	28480	9100-2251
ASA7L14	9100-2251	0		INDUCTOR RF-CH-MLD 220NH 10% .105DX.26LG	28480	9100-2251
ASA7L15	9100-2247	4		INDUCTOR RF-CH-MLD 100NH 10% .105DX.26LG	28480	9100-2247
ASA7L16	9100-2251	0		INDUCTOR RF-CH-MLD 220NH 10% .105DX.26LG	28480	9100-2251
ASA7MP1	08662-00089	7	1	COVER, 1/2 END	28480	08662-00089
	2360-0113	2		SCREW-MACH 6-32 25-IN-LG PAN-HD-POZI	00000	ORDER BY DESCRIPTION
ASA7MP2	5001-0176	0		STRAP, GROUND	28480	5001-0176
ASA7MP3	5001-0176	0		STRAP, GROUND	28480	5001-0176
ASA7Q1	1854-0247	9		TRANSISTOR NPN SI TO-39 PD=1W FT=800MHZ	28480	1854-0247
ASA7Q2	1854-0247	9		TRANSISTOR NPN SI TO-39 PD=1W FT=800MHZ	28480	1854-0247
ASA7Q3	1854-0345	8		TRANSISTOR NPN 2N5179 SI TO-72 PD=200MW	04713	2N5179
	1205-0037	0		HEAT SINK TO-18-CS	28480	1205-0037
ASA7Q4	1854-0345	8		TRANSISTOR NPN 2N5179 SI TO-72 PD=200MW	04713	2N5179
	1205-0037	0		HEAT SINK TO-18-CS	28480	1205-0037
ASA7Q5	1854-0404	0		TRANSISTOR NPN SI TO-18 PD=360MW	28480	1854-0404
	1205-0031	4	1	THERMAL LINK TO-18-CS	28480	1205-0031
ASA7Q6	1854-0404	0		TRANSISTOR NPN SI TO-18 PD=360MW	28480	1854-0404
ASA7Q7	1853-0451	5		TRANSISTOR PNP 2N3799 SI TO-18 PD=360MW	01295	2N3799
<i>2234A TO 2927A</i>						
ASA7Q8	1855-0235	7		TRANSISTOR J-FET N-CHAN D-MODE TO-62 SI	28480	1855-0235
<i>2936A AND ABOVE</i>						
ASA7Q8	1855-0235	7		TRANSISTOR J-FET N-CHAN D-MODE TO-62 SI	28480	1855-0235
P/O Q8	1205-0037	0		HEAT SINK TO-18-CS	28480	1205-0037
ASA7Q9	1853-0451	5		TRANSISTOR PNP 2N3799 SI TO-18 PD=360MW	01295	2N3799
	1205-0037	0		HEAT SINK TO-18-CS	28480	1205-0037
ASA7Q10	1853-0451	5		TRANSISTOR PNP 2N3799 SI TO-18 PD=360MW	01295	2N3799

Table 4-3. Replaceable Parts

A3A7Q11	1854-0404	0		TRANSISTOR NPN SI TO-18 PD=360MW	28480	1854-0404
A3A7Q12	1853-0012	4		TRANSISTOR PNP 2N2904A SI TO-39 PD=600MW	01285	2N2904A
A3A7R1	0698-0084	9	12	RESISTOR 2.15K 1% .125W F TC=0+-100	24546	C4-1/8-T0-2151-F
A3A7R2	2100-2517	4		RESISTOR-TRMR 50K 10% C SIDE-ADJ 1-TRN	30983	ET50X503
A3A7R3	2100-2574	3		RESISTOR-TRMR 500 10% C SIDE-ADJ 1-TRN	30983	ET50X501
A3A7R4	0698-0082	7	4	RESISTOR 464 1% .125W F TC=0+-100	24546	C4-1/8-T0-4640-F
2234A TO 2548A						
A3A7R5	0698-3151	7	4	RESISTOR 2.87K 1% .125W F TC=0+-100	24546	C4-1/8-T0-2871-F
2549A AND ABOVE						
A3A7R5*	0757-0438	3		RESISTOR 5.11K 1% .125W F TC=0+-100	24546	C4-1/8-T0-5111-F
A3A7R6	0757-0346	2		RESISTOR 10 1% .125W F TC=0+-100	24546	C4-1/8-T0-10R0-F
A3A7R7	0757-0422	5		RESISTOR 909 1% .125W F TC=0+-100	24546	C4-1/8-T0-909R-F
A3A7R8	0757-0422	5		RESISTOR 909 1% .125W F TC=0+-100	24546	C4-1/8-T0-909R-F
A3A7R9	0698-0082	7		RESISTOR 464 1% .125W F TC=0+-100	24546	C4-1/8-T0-4640-F
2234A TO 2548A						
A3A7R10	0757-0439	4		RESISTOR 6.81K 1% .125W F TC=0+-100	24546	C4-1/8-T0-6811-F
2549A ANND ABOVE						
A3A7R10	0757-0438	3		RESISTOR 5.11K 1% .125W F TC=0+-100	24546	C4-1/8-T0-5111-F
A3A7R11	0757-0442	9		RESISTOR 10K 1% .125W F TC=0+-100	24546	C4-1/8-T0-1002-F
2234A TO 2419A						
A3A7R12	0698-3155	1		RESISTOR 4.64K 1% .125W F TC=0+-100	24546	C4-1/8-T0-4641-F
A3A7R13	0698-3156	2		RESISTOR 14.7K 1% .125W F TC=0+-100	24546	C4-1/8-T0-1472-F
2441A TO 2549A						
A3A7R12	0698-3153	9		RESISTOR 3.83K 1% .125W F TC=0+-100	24546	C4-1/8-T0-3831-F
A3A7R13	0698-3136	8		RESISTOR 17.8K 1% .125W F TC=0+-100	24546	C4-1/8-T0-1782-F
2549A AND ABOVE						
A3A7R12	0698-3154	0		RESISTOR 4.22K 1% .125W F TC=0+-100	24546	C4-1/8-T0-4221-F
A3A7R13	0757-0189	3		RESISTOR 21.5K 1% .125W F TC=0+-100	24546	C4-1/8-T0-2152-F
A3A7R14	0757-0442	9		RESISTOR 10K 1% .125W F TC=0+-100	24546	C4-1/8-T0-1002-F
2234A TO 2419A						
A3A7R15	0698-3136	8		RESISTOR 17.8K 1% .125W F TC=0+-100	24546	C4-1/8-T0-1782-F
2441A TO 2548A						
A3A7R15	0757-0199	3		RESISTOR 21.5K 1% .125W F TC=0+-100	24546	C4-1/8-T0-2152-F
2549A AND ABOVE						
A3A7R15	0757-0123	3		RESISTOR 34.8K 1% .125W F TC=0+-100	24546	C4-1/8-T0-3482-F
A3A7R16	0698-3157	9		RESISTOR 19.8K 1% .125W F TC=0+-100	24546	C4-1/8-T0-1982-F
2234A TO 2419A						
AND						
2549A AND ABOVE						
A3A7R17	0698-3159	5		RESISTOR 26.1K 1% .125W F TC=0+-100	24546	C4-1/8-T0-2612-F
2441A TO 2548A						
A3A7R17	0698-3156	2		RESISTOR 14.7K 1% .125W F TC=0+-100	24546	C4-1/8-T0-1472-F
A3A7R18	0757-0438	3		RESISTOR 5.11K 1% .125W F TC=0+-100	24546	C4-1/8-T0-5111-F
A3A7R19	0757-0438	3		RESISTOR 5.11K 1% .125W F TC=0+-100	24546	C4-1/8-T0-5111-F
2234A TO 2419A						
A3A7R20	0698-3160	8		RESISTOR 31.8K 1% .125W F TC=0+-100	24546	C4-1/8-T0-3182-F
2441A TO 2548A						
A3A7R20	0757-0482	3	1	RESISTOR 75K 1% .125W F TC=0+-100	24546	C4-1/8-T0-7502-F
2549A AND ABOVE						
A3A7R20	0757-0484	5	1	RESISTOR 90.9K 1% .125W F TC=0+-100	24546	C4-1/8-T0-9092-F

Table 4-3. Replaceable Parts

A3A7R21	0698-3444	1		RESISTOR 316 1% .125W F TC=0+-100	24546	C4-1/8-T0-316R-F
A3A7R22	0757-0438	3		RESISTOR 5.11K 1% .125W F TC=0+-100	24546	C4-1/8-T0-5111-F
A3A7R23	0698-3156	2		RESISTOR 14.7K 1% .125W F TC=0+-100	24546	C4-1/8-T0-1472-F
A3A7R24	0757-0180	2		RESISTOR 31.6 1% .125W F TC=0+-100	28480	0757-0180
A3A7R25	0757-0418	9		RESISTOR 619 1% .125W F TC=0+-100	24546	C4-1/8-T0-619R-F
A3A7R26	0757-0280	3		RESISTOR 1K 1% .125W F TC=0+-100	24546	C4-1/8-T0-1001-F
A3A7R27*	0757-0465	6	3	RESISTOR 100K 1% .125W F TC=0+-100	24546	C4-1/8-T0-1003-F
2234A TO 2447A						
A3A7R28	0757-0428	1	3	RESISTOR 1.62K 1% .125W F TC=0+-100	24546	C4-1/8-T0-1621-F
2449A TO 2927A						
A3A7R28	0757-0274	5		RESISTOR 1.21K 1% .125W F TC=0+-100	24546	C4-1/8-T0-1211-F
2936A AND ABOVE						
A3A7R28	0757-0338	2		RESISTOR 1K 1% .25W F TC=0+-100	24546	C5-1/4-T0-1001-F
A3A7R29	0757-0280	3		RESISTOR 1K 1% .125W F TC=0+-100	24546	C4-1/8-T0-1001-F
2234A TO 2447A						
A3A7R30	0757-0428	1		RESISTOR 1.62K 1% .125W F TC=0+-100	24546	C4-1/8-T0-1621-F
2449A TO 2927A						
A3A7R30	0757-0274	5		RESISTOR 1.21K 1% .125W F TC=0+-100	24546	C4-1/8-T0-1211-F
2936A AND ABOVE						
A3A7R30	0757-0338	2		RESISTOR 1K 1% .25W F TC=0+-100	24546	C5-1/4-T0-1001-F
A3A7R31	0698-3154	0		RESISTOR 4.22K 1% .125W F TC=0+-100	24546	C4-1/8-T0-4221-F
A3A7R32	0757-0399	5	1	RESISTOR 82.5 1% .125W F TC=0+-100	24546	C4-1/8-T0-82R5-F
A3A7R33	0698-3154	0		RESISTOR 4.22K 1% .125W F TC=0+-100	24546	C4-1/8-T0-4221-F
A3A7R34	0757-0401	0		RESISTOR 100 1% .125W F TC=0+-100	24546	C4-1/8-T0-101-F
A3A7R35	0757-0280	3		RESISTOR 1K 1% .125W F TC=0+-100	24546	C4-1/8-T0-1001-F
A3A7R36	0698-3432	7		RESISTOR 26.1 1% .125W F TC=0+-100	03888	PME55-1/8-T0-26R1-F
A3A7R37	0698-0084	9		RESISTOR 2.15K 1% .125W F TC=0+-100	24546	C4-1/8-T0-2151-F
A3A7R38	0698-3152	8		RESISTOR 3.48K 1% .125W F TC=0+-100	24546	C4-1/8-T0-3481-F
A3A7R39	0698-3152	8		RESISTOR 3.48K 1% .125W F TC=0+-100	24546	C4-1/8-T0-3481-F
A3A7R40	0698-0084	9		RESISTOR 2.15K 1% .125W F TC=0+-100	24546	C4-1/8-T0-2151-F
A3A7R41	0757-0420	3		RESISTOR 750 1% .125W F TC=0+-100	24546	C4-1/8-T0-751-F
A3A7R42	0698-3432	7		RESISTOR 26.1 1% .125W F TC=0+-100	03888	PME55-1/8-T0-26R1-F
A3A7R43	0757-0420	3		RESISTOR 750 1% .125W F TC=0+-100	24546	C4-1/8-T0-751-F
A3A7R44	0698-3438	4		RESISTOR 178 1% .125W F TC=0+-100	24546	C4-1/8-T0-178R-F
A3A7R45	0757-0405	4	1	RESISTOR 162 1% .125W F TC=0+-100	24546	C4-1/8-T0-162R-F
A3A7R46	0698-3152	8		RESISTOR 3.48K 1% .125W F TC=0+-100	24546	C4-1/8-T0-3481-F
A3A7R47	0757-0420	3		RESISTOR 750 1% .125W F TC=0+-100	24546	C4-1/8-T0-751-F
A3A7R48	0698-0084	9		RESISTOR 2.15K 1% .125W F TC=0+-100	24546	C4-1/8-T0-2151-F
A3A7R49	0698-3152	8		RESISTOR 3.48K 1% .125W F TC=0+-100	24546	C4-1/8-T0-3481-F
A3A7R50	0757-0420	3		RESISTOR 750 1% .125W F TC=0+-100	24546	C4-1/8-T0-751-F
A3A7R51	0698-3438	3		RESISTOR 147 1% .125W F TC=0+-100	24546	C4-1/8-T0-147R-F
A3A7R52	0698-0084	9		RESISTOR 2.15K 1% .125W F TC=0+-100	24546	C4-1/8-T0-2151-F
A3A7R53	0698-3443	0		RESISTOR 287 1% .125W F TC=0+-100	24546	C4-1/8-T0-287R-F
A3A7R54	0757-0294	9		RESISTOR 17.8 1% .125W F TC=0+-100	19701	MF4C1/8-T0-17R8-F
A3A7R55	0757-0401	0		RESISTOR 100 1% .125W F TC=0+-100	24546	C4-1/8-T0-101-F
A3A7R56	0698-3443	0		RESISTOR 287 1% .125W F TC=0+-100	24546	C4-1/8-T0-287R-F
A3A7T1	08640-60355	0		TRANSFORMER,RF BLUE	28480	08640-60355
A3A7TP1	1251-0600	0		CONNECTOR-SGL CONT PIN 1,14-MM-BSC-SZ SQ	28480	1251-0600
A3A7TP2	1251-0600	0		CONNECTOR-SGL CONT PIN 1,14-MM-BSC-SZ SQ	28480	1251-0600
A3A7TP3	1251-0600	0		CONNECTOR-SGL CONT PIN 1,14-MM-BSC-SZ SQ	28480	1251-0600
A3A7TP4	1251-0600	0		CONNECTOR-SGL CONT PIN 1,14-MM-BSC-SZ SQ	28480	1251-0600
A3A7TP5	1251-0600	0		CONNECTOR-SGL CONT PIN 1,14-MM-BSC-SZ SQ	28480	1251-0600
A3A7TP6	1251-0600	0		CONNECTOR-SGL CONT PIN 1,14-MM-BSC-SZ SQ	28480	1251-0600

Table 6-3. Replaceable Parts

Reference Designation	HP Part Number	C D	Qty.	Description	Mfr. Code	Mfr. Part Number
A3A8						
A3A8	08662-80143	0	1	FM SL VCO	28480	08662-80143
A3A8C1	0180-2618	2	5	CAPACITOR-FXD 33UF+10% 10VDC TA	25088	D33GS1B10K
A3A8C2	0180-4084	8		CAPACITOR-FXD .1UF +20% 50VDC CER	28480	0180-4084
A3A8C3	0180-2617	1		CAPACITOR-FXD 6.8UF+10% 35VDC TA	25088	D6R8GS1B35K
A3A8C4	0180-3701	6		CAPACITOR-FXD 2.2UF+10% 75VDC TA	28480	0180-3701
A3A8C5	0180-3879	7		CAPACITOR-FXD .01UF +20% 100VDC CER	28480	0180-3879
A3A8C6	0180-3879	7		CAPACITOR-FXD .01UF +20% 100VDC CER	28480	0180-3879
A3A8C7	0180-3701	6		CAPACITOR-FXD 2.2UF+10% 75VDC TA	28480	0180-3701
A3A8C8	0180-3875	3		CAPACITOR-FXD 22PF +5% 200VDC CER 0+-30	28480	0180-3875
A3A8C9	0180-3877	5		CAPACITOR-FXD 100PF +20% 200VDC CER	28480	0180-3877
A3A8C10	0180-2619	3		CAPACITOR-FXD 22UF+10% 15VDC TA	25088	D22GS1B15K
A3A8C11	0180-0194	3	1	CAPACITOR-FXD .015UF +10% 200VDC POLYE	28480	0180-0194
A3A8C12	0180-4385	2	1	CAPACITOR-FXD 15PF +5% 200VDC CER 0+-30	28480	0180-4385
A3A8C13	0180-3878	6		CAPACITOR-FXD 1000PF +20% 100VDC CER	28480	0180-3878
A3A8C14	0180-3877	5		CAPACITOR-FXD 100PF +20% 200VDC CER	28480	0180-3877
A3A8C15	0180-3878	6		CAPACITOR-FXD 1000PF +20% 100VDC CER	28480	0180-3878
A3A8C16	0180-3879	7		CAPACITOR-FXD .01UF +20% 100VDC CER	28480	0180-3879
A3A8C17	0180-3878	6		CAPACITOR-FXD 1000PF +20% 100VDC CER	28480	0180-3878
A3A8C18	0180-3878	6		CAPACITOR-FXD 1000PF +20% 100VDC CER	28480	0180-3878
A3A8C19	0180-3878	6		CAPACITOR-FXD 1000PF +20% 100VDC CER	28480	0180-3878
A3A8C20	0180-3878	6		CAPACITOR-FXD 1000PF +20% 100VDC CER	28480	0180-3878
A3A8C21	0180-3878	6		CAPACITOR-FXD 1000PF +20% 100VDC CER	28480	0180-3878
A3A8C22	0180-3874	2	10	CAPACITOR-FXD 10PF +.5PF 200VDC CER	28480	0180-3874
A3A8C23	0180-3874	2		CAPACITOR-FXD 10PF +.5PF 200VDC CER	28480	0180-3874
A3A8C24	0180-3879	7		CAPACITOR-FXD .01UF +20% 100VDC CER	28480	0180-3879
A3A8C25	0180-3879	7		CAPACITOR-FXD .01UF +20% 100VDC CER	28480	0180-3879
A3A8C26	0180-3879	7		CAPACITOR-FXD .01UF +20% 100VDC CER	28480	0180-3879
A3A8CR1	1901-0040	1		DIODE-SWITCHING 30V 50MA 2NS DO-35	28480	1901-0040
A3A8CR2	1901-0040	1		DIODE-SWITCHING 30V 50MA 2NS DO-35	28480	1901-0040
2294A TO 2419A A3A8CR3-12	0122-0065	7		DIODE-VVC 29PF 3%	28480	0122-0065
2411A TO 2526A A3A8CR3-12	0122-0162	5		OVVC 29PF 5.0CR	28480	0122-0162
2533A AND ABOVE A3A8CR3-12	0122-0173	6		DIODE-VVC 29PF 10% C3/C25-MIN=5 BVR=30V	28480	0122-0173
A3A8J1	1250-1220	0		CONNECTOR-RF SMC M PC 50-OHM	28480	1250-1220
	2190-0124	4		WASHER-LK INTL T NO. 10 .195-IN-ID	28480	2190-0124
	2950-0078	9		NUT-HEX-DBL-CHAM 10-32-THD .067-IN-THK	28480	2950-0078
A3A8J2	1250-1220	0		CONNECTOR-RF SMC M PC 50-OHM	28480	1250-1220
	2190-0124	4		WASHER-LK INTL T NO. 10 .195-IN-ID	28480	2190-0124
	2950-0078	9		NUT-HEX-DBL-CHAM 10-32-THD .067-IN-THK	28480	2950-0078
A3A8J3	1250-1220	0		CONNECTOR-RF SMC M PC 50-OHM	28480	1250-1220
	2190-0124	4		WASHER-LK INTL T NO. 10 .195-IN-ID	28480	2190-0124
	2950-0078	9		NUT-HEX-DBL-CHAM 10-32-THD .067-IN-THK	28480	2950-0078

†Refer to Section 7 for update information.

*Factory Selected Component (Refer to Section 5).

Table 6-3. Replaceable Parts

Reference Designation	HP Part Number	C D	Qty.	Description	Mfr. Code	Mfr. Part Number
A3A8L1	9140-0144	0		INDUCTOR RF-CH-MLD 4.7UH 10% .105DX.26LG	28480	9140-0144
A3A8L2	9140-0144	0		INDUCTOR RF-CH-MLD 4.7UH 10% .105DX.26LG	28480	9140-0144
A3A8L3	9140-0144	0		INDUCTOR RF-CH-MLD 4.7UH 10% .105DX.26LG	28480	9140-0144
A3A8L4	9140-0144	0		INDUCTOR RF-CH-MLD 4.7UH 10% .105DX.26LG	28480	9140-0144
A3A8L5	9140-0144	0		INDUCTOR RF-CH-MLD 4.7UH 10% .105DX.26LG	28480	9140-0144
A3A8L6	9100-2260	1	1	INDUCTOR RF-CH-MLD 1.8UH 10% .105DX.26LG	28480	9100-2260
A3A8L7	9140-0142	8		INDUCTOR RF-CH-MLD 2.2UH 10% .105DX.26LG	28480	9140-0142
A3A8L9	9140-0158	6		INDUCTOR RF-CH-MLD 1UH 10% .105DX.26LG	28480	9140-0158
A3A8L10	9100-2255	4	1	INDUCTOR RF-CH-MLD 470NH 10% .105DX.26LG	28480	9100-2255
A3A8L11	9140-0144	0		INDUCTOR RF-CH-MLD 4.7UH 10% .105DX.26LG	28480	9140-0144
A3A8L12	08662-00157	0	1	INDUCTOR OSC	28480	08662-00157
A3A8L13	9100-0346	0	4	INDUCTOR RF-CH-MLD 50NH 20% .105DX.26LG	28480	9100-0346
A3A8L14	9100-3922	4	11	COIL, 3.0 UH	28480	9100-3922
A3A8MP1	08662-00082	0	1	COVER- 1/3 END	28480	08662-00082
A3A8MP2	5001-0178	0		STRAP, GROUND	28480	5001-0178
A3A8MP3	5001-0178	0		STRAP, GROUND	28480	5001-0178
A3A8MP4	08662-00107	0	1	RF SHIELD	28480	08662-00107
A3A8Q1	1855-0235	7		TRANSISTOR J-FET N-CHAN D-MODE TO-52 SI	28480	1855-0235
A3A8Q2	1853-0451	5		TRANSISTOR PNP 2N3799 SI TO-18 PD=360MW	01295	2N3799
A3A8Q3	1854-0404	0		TRANSISTOR NPN SI TO-18 PD=360MW	28480	1854-0404
A3A8Q4	1853-0451	5		TRANSISTOR PNP 2N3799 SI TO-18 PD=360MW	01295	2N3799
A3A8R1	0698-7224	3		RESISTOR 316 1% .05W F TC=0+-100	24546	C3-1/8-T0-316R-F
A3A8R2	0698-7205	0		RESISTOR 51.1 1% .05W F TC=0+-100	24546	C3-1/8-T0-51R1-F
A3A8R3	2100-2489	9	1	RESISTOR-TRMR 5K 10% C SIDE-ADJ 1-TRN	30983	ET50X502
A3A8R4	2100-2633	5	1	RESISTOR-TRMR 1K 10% C SIDE-ADJ 1-TRN	30983	ET50X102
A3A8R5	0698-7272	1		RESISTOR 31.6K 1% .05W F TC=0+-100	24546	C3-1/8-T0-3162-F
2294A to 2716A						
A3A8R6	0698-7257	2		RESISTOR 7.5K 1% .05W F TC=0+-100	24546	C3-1/8-T0-7501-F
2748A and above						
A3A8R6	0698-7256	3		RESISTOR 311 1% .25W F TC=0+-25	28480	0698-7256
2234A TO 2526A						
A3A8R7	0698-7249	2		RESISTOR 3.48K 1% .05W F TC=0+-100	24546	C3-1/8-T0-3481-F
2533A AND ABOVE						
A3A8R7	0698-7247	0		RESISTOR 2.87K 1% .05W F TC=0+-100	24546	C3-1/8-T0-2871-F
A3A8R8	0698-7212	9		RESISTOR 100 1% .05W F TC=0+-100	24546	C3-1/8-T0-100R-F
2294A TO 2526A						
A3A8R9	0698-7235	6		RESISTOR 909 1% .05W F TC=0+-100	24546	C3-1/8-T0-909R-F
A3A8R10	0698-7260	7		RESISTOR 10K 1% .05W F TC=0+-100	24546	C3-1/8-T0-1002-F
A3A8R11	0698-7272	1		RESISTOR 31.6K 1% .05W F TC=0+-100	24546	C3-1/8-T0-3162-F
2533A AND ABOVE						
A3A8R9	0698-7236	7		RESISTOR 1K 1% .05W F TC=0+-100	24546	C3-1/8-T0-1001-F
A3A8R10	0698-7257	2	2	RESISTOR 7.5K 1% .05W F TC=0+-100	24546	C3-1/8-T0-7501-F
A3A8R11	0698-7271	0		RESISTOR 28.7K 1% 0.5W F TC=0+-100	24546	C3-1/8-T0-2872-F
2633A ONLY						
A3A8R12	0698-3453	2		RESISTOR 196K 1% .125W F TC=0+-100	24546	C4-1/8-T0-1963-F
2553A to 2716A						
A3A8R12	0757-0470	3	1	RESISTOR 162K 1% .125W F TC=0+-100	24546	C4-1/8-T0-1623-F
2748A and above						
A3A8R12	0698-3455	4	1	RESISTOR 261K 1% .125W F TC=0+-100	28480	C4-1/8-T0-2613-F
A3A8R13	0698-7229	8		RESISTOR 511 1% .05W F TC=0+-100	24546	C3-1/8-T0-511R-F
A3A8R14	0698-7229	8		RESISTOR 511 1% .05W F TC=0+-100	24546	C3-1/8-T0-511R-F
A3A8R15	0757-0279	0	3	RESISTOR 3.16K 1% .125W F TC=0+-100	24546	C4-1/8-T0-3161-F
A3A8R16	0698-7227	6	6	RESISTOR 422 1% .05W F TC=0+-100	24546	C3-1/8-T0-422R-F
A3A8R17	0698-7208	1		RESISTOR 56.2 1% .05W F TC=0+-100	24546	C3-1/8-T0-56R2-F
A3A8R18	0757-0290	5		RESISTOR 6.19K 1% .125W F TC=0+-100	19701	MF4C1/8-T0-6191-F
A3A8R19	0757-0290	5		RESISTOR 6.19K 1% .125W F TC=0+-100	19701	MF4C1/8-T0-6191-F
A3A8R20	0698-7251	8	2	RESISTOR 4.22K 1% .05W F TC=0+-100	24546	C3-1/8-T0-4221-F

†Refer to Section 7 for update information.

*Factory Selected Component (Refer to Section 5).

Table 6-3. Replaceable Parts

Reference Designation	HP Part Number	C D	Qty.	Description	Mfr. Code	Mfr. Part Number
A3A8R26	0698-7220	9		RESISTOR 215 1% .05W F TC=0+-100	24546	C3-1/8-TO-215R-F
A3A8R27	0698-7260	7		RESISTOR 10K 1% .05W F TC=0+-100	24546	C3-1/8-TO-1002-F
A3A8R28	0698-7220	9		RESISTOR 215 1% .05W F TC=0+-100	24546	C3-1/8-TO-215R-F
A3A8R29	0698-7213	0		RESISTOR 110 1% .05W F TC=0+-100	24546	C3-1/8-TO-110R-F
A3A8R30	0757-0416	7		RESISTOR 511 1% .125W F TC=0+-100	24546	C4-1/8-TO-511R-F
2234A to 2840A						
A3A8R31	0698-7229	6		RESISTOR 511 1% .05W F TC=0+-100	24546	C3-1/8-TO-511R-F
2846A and above						
A3A8R31	0698-7236	7		RESISTOR 1K 1% .05W F TC=0+-100	24546	C3-1/8-TO-1001-F
A3A8R32	0698-7205	0		RESISTOR 51.1 1% .05W F TC=0+-100	24546	C3-1/8-TO-51R1-F
A3A8R33	0698-7205	0		RESISTOR 51.1 1% .05W F TC=0+-100	24546	C3-1/8-TO-51R1-F
A3A8R34	0698-7212	9		RESISTOR 100 1% .05W F TC=0+-100	24546	C3-1/8-TO-100R-F
A3A8T1	08640-60355	0		TRANSFORMER, RF BLUE	28480	08640-60355
A3A8TP2	1251-0600	0		CONNECTOR-SGL CONT PIN 1.14-MM-BSC-SZ SQ	28480	1251-0600
A3A8TP3	1251-0600	0		CONNECTOR-SGL CONT PIN 1.14-MM-BSC-SZ SQ	28480	1251-0600
A3A8TP4	1251-0600	0		CONNECTOR-SGL CONT PIN 1.14-MM-BSC-SZ SQ	28480	1251-0600
A3A8U1	1826-0372	2		IC, LIMITER	28480	1826-0372
A3A8U2	1826-0372	2		IC, LIMITER	28480	1826-0372
A3A8U3	1820-3517	1		IC DIVR ECL VAR-MODULO	28480	1820-3517

†Refer to Section 7 for update information.

*Factory Selected Component (Refer to Section 5).

Table 6-3. Replaceable Parts

Reference Designation	HP Part Number	C D	Qty.	Description	Mfr. Code	Mfr. Part Number
A3A9						
A3A9	08662-80139	4	1	FM SL MIXER ASSEMBLY	28480	08662-80139
A3A9C1	0160-3876	4		CAPACITOR-FXD 47PF +-20% 200VDC CER	28480	0160-3876
A3A9C2	0160-4084	8		CAPACITOR-FXD .1UF +-20% 50VDC CER	28480	0160-4084
A3A9C3	0160-2619	3		CAPACITOR-FXD 22UF+-10% 15VDC TA	26088	D22GS1E15K
A3A9C4	0160-3879	7		CAPACITOR-FXD .01UF +-20% 100VDC CER	28480	0160-3879
A3A9C5	0160-3879	7		CAPACITOR-FXD .01UF +-20% 100VDC CER	28480	0160-3879
A3A9C6	0160-3874	2		CAPACITOR-FXD 10PF +-5PF 200VDC CER	28480	0160-3874
A3A9C7	0160-3875	3		CAPACITOR-FXD 22PF +-5% 200VDC CER 0+-30	28480	0160-3875
A3A9C8	0160-3874	2		CAPACITOR-FXD 10PF +-5PF 200VDC CER	28480	0160-3874
A3A9C9	0160-3872	0	1	CAPACITOR-FXD 2.2PF +-25PF 200VDC CER	28480	0160-3872
A3A9C10	0160-3874	2		CAPACITOR-FXD 10PF +-5PF 200VDC CER	28480	0160-3874
A3A9C11	0160-3874	2		CAPACITOR-FXD 10PF +-5PF 200VDC CER	28480	0160-3874
A3A9C12	0160-0188	1		CAPACITOR-FXD .1UF +-10% 200VDC POLYE	28480	0160-0188
A3A9C13	0160-3879	7		CAPACITOR-FXD .01UF +-20% 100VDC CER	28480	0160-3879
A3A9C14	0160-2253	9	1	CAPACITOR-FXD 8.8PF +-25PF 500VDC CER	28480	0160-2253
A3A9C15	0160-3877	5		CAPACITOR-FXD 100PF +-20% 200VDC CER	28480	0160-3877
A3A9C16	0160-3874	2		CAPACITOR-FXD 10PF +-5PF 200VDC CER	28480	0160-3874
A3A9C17	0160-3877	5		CAPACITOR-FXD 100PF +-20% 200VDC CER	28480	0160-3877
A3A9CR1	1901-0040	1		DIODE-SWITCHING 30V 50MA 2NS DO-35	28480	1901-0040
A3A9CR2	1901-0040	1		DIODE-SWITCHING 30V 50MA 2NS DO-35	28480	1901-0040
A3A9CR3	1901-0518	8		DIODE-SM SIG SCHOTTKY	28480	1901-0518
A3A9J1	1250-1220	0		CONNECTOR-RF SMC M PC 50-OHM	28480	1250-1220
	2190-0124	4		WASHER-LK INTL T NO. 10 .195-IN-ID	28480	2190-0124
	2950-0078	9		NUT-HEX-DBL-CHAM 10-32-THD .067-IN-THK	28480	2950-0078
A3A9J2	1250-1220	0		CONNECTOR-RF SMC M PC 50-OHM	28480	1250-1220
	2190-0124	4		WASHER-LK INTL T NO. 10 .195-IN-ID	28480	2190-0124
	2950-0078	9		NUT-HEX-DBL-CHAM 10-32-THD .067-IN-THK	28480	2950-0078
A3A9J3	1250-1220	0		CONNECTOR-RF SMC M PC 50-OHM	28480	1250-1220
	2190-0124	4		WASHER-LK INTL T NO. 10 .195-IN-ID	28480	2190-0124
	2950-0078	9		NUT-HEX-DBL-CHAM 10-32-THD .067-IN-THK	28480	2950-0078
A3A9L1	9140-0144	0		INDUCTOR RF-CH-MLD 4.7UH 10% .105DX.28LG	28480	9140-0144
A3A9L2	9140-0144	0		INDUCTOR RF-CH-MLD 4.7UH 10% .105DX.28LG	28480	9140-0144
A3A9L3	9140-0144	0		INDUCTOR RF-CH-MLD 4.7UH 10% .105DX.28LG	28480	9140-0144
A3A9L4	9100-1629	4		INDUCTOR RF-CH-MLD 47UH 5% .166DX.385LG	28480	9100-1629
A3A9L5	9100-0346	0		INDUCTOR RF-CH-MLD 50NH 20% .105DX.28LG	28480	9100-0346
A3A9L6	9100-1629	4		INDUCTOR RF-CH-MLD 47UH 5% .166DX.385LG	28480	9100-1629
A3A9L7	9100-0346	0		INDUCTOR RF-CH-MLD 50NH 20% .105DX.28LG	28480	9100-0346
A3A9L8	9100-0346	0		INDUCTOR RF-CH-MLD 50NH 20% .105DX.28LG	28480	9100-0346
A3A9L9	9100-1629	4		INDUCTOR RF-CH-MLD 47UH 5% .166DX.385LG	28480	9100-1629
A3A9L10	9100-2251	0		INDUCTOR RF-CH-MLD 220NH 10% .105DX.28LG	28480	9100-2251
A3A9MP1	08662-00113	8	1	COVER, EXTRUSION 1/3C	28480	08662-00113
	2380-0113	2		SCREW-MACH 6-32 .25-IN-LG PAN-HD-POZI	00000	ORDER BY DESCRIPTION
A3A9MP2	5001-0176	0		STRAP, GROUND	28480	5001-0176
A3A9MP3	5001-0176	0		STRAP, GROUND	28480	5001-0176
A3A9MP4	1205-0202	1		THERMAL LINK DUAL TO-18-CS	28480	1205-0202
2234A TO 2652A						
A3A9Q1	1854-0475	5		TRANSISTOR-DUAL NPN PD=750MW	28480	1854-0475
2601A AND ABOVE						
A3A9Q1	1854-1046	8		TRANSISTOR-DUAL NPN TO-78 PD=750MW	28480	1854-1046

†Refer to Section 7 for update information.

*Factory Selected Component (Refer to Section 5).

Table 6-3. Replaceable Parts

Reference Designation	HP Part Number	C D	Qty.	Description	Mfr. Code	Mfr. Part Number
A3A9Q2	1853-0451	5		TRANSISTOR PNP 2N3799 SI TO-18 PD=360MW	01295	2N3799
A3A9Q3	1853-0451	5		TRANSISTOR PNP 2N3799 SI TO-18 PD=360MW	01295	2N3799
A3A9Q4	1853-0451	5		TRANSISTOR PNP 2N3799 SI TO-18 PD=360MW	01295	2N3799
A3A9Q5	1854-0404	0		TRANSISTOR NPN SI TO-18 PD=360MW	28480	1854-0404
A3A9Q6	1854-0404	0		TRANSISTOR NPN SI TO-18 PD=360MW	28480	1854-0404
A3A9Q7	1853-0451	5		TRANSISTOR PNP 2N3799 SI TO-18 PD=360MW	01295	2N3799
A3A9R1	0698-7205	0		RESISTOR 51.1 1% .05W F TC=0+-100	24546	C3-1/8-TO-51R1-F
A3A9R3	0698-7223	2	9	RESISTOR 287 1% .05W F TC=0+-100	24546	C3-1/8-TO-287R-F
<i>2234A TO 2526A</i>						
A3A9R4	0698-7260	7		RESISTOR 10K 1% .05W F TC=0+-100	24546	C3-1/8-TO-1002-F
A3A9R5	0698-7260	7		RESISTOR 10K 1% .05W F TC=0+-100	24546	C3-1/8-TO-1002-F
A3A9R6	0698-7260	7		RESISTOR 10K 1% .05W F TC=0+-100	24546	C3-1/8-TO-1002-F
<i>2533A AND ABOVE</i>						
A3A9R4	0698-7263	8		RESISTOR 5.11K 1% .05W F TC=0+-100	24546	C3-1/8-TO-5111-F
A3A9R5	0698-7249	2		RESISTOR 3.48K 1% .05W F TC=0+-100	24546	C3-1/8-TO-3481-F
A3A9R6	0698-7236	6		RESISTOR 1K 1% .05W F TC=0+-100	24546	C3-1/8-TO-1001-F
A3A9R7	0698-7238	7		RESISTOR 1K 1% .05W F TC=0+-100	24546	C3-1/8-TO-1001-F
A3A9R8	0698-7205	0		RESISTOR 51.1 1% .05W F TC=0+-100	24546	C3-1/8-TO-51R1-F
A3A9R9	0698-7194	6	4	RESISTOR 17.8 1% .05W F TC=0+-100	24546	C3-1/8-TO-17R8-F
A3A9R10	0698-7223	2		RESISTOR 287 1% .05W F TC=0+-100	24546	C3-1/8-TO-287R-F
A3A9R11	0698-7224	3		RESISTOR 316 1% .05W F TC=0+-100	24546	C3-1/8-TO-316R-F
A3A9R12	0698-7227	6		RESISTOR 422 1% .05W F TC=0+-100	24546	C3-1/8-TO-422R-F
A3A9R13	0698-7240	3		RESISTOR 1.47K 1% .05W F TC=0+-100	24546	C3-1/8-TO-1471-F
<i>2234A TO 2526A</i>						
A3A9R14*	0698-7215	2	1	RESISTOR 133 1% .05W F TC=0+-100	24546	C3-1/8-TO-133R-F
<i>2533A AND ABOVE</i>						
A3A9R14*	0698-7216	3		RESISTOR 147 1% .05W F TC=0+-100	24546	C3-1/8-TO-147R-F
A3A9R15	0698-7229	6		RESISTOR 511 1% .05W F TC=0+-100	24546	C3-1/8-TO-511R-F
A3A9R16	0698-7227	6		RESISTOR 422 1% .05W F TC=0+-100	24546	C3-1/8-TO-422R-F
A3A9R17	0698-7248	1		RESISTOR 3.16K 1% .05W F TC=0+-100	24546	C3-1/8-TO-3161-F
A3A9R18	0698-7223	2		RESISTOR 287 1% .05W F TC=0+-100	24546	C3-1/8-TO-287R-F
A3A9R19	0698-7194	6		RESISTOR 17.8 1% .05W F TC=0+-100	24546	C3-1/8-TO-17R8-F
A3A9R20	0698-7223	2		RESISTOR 287 1% .05W F TC=0+-100	24546	C3-1/8-TO-287R-F
A3A9R21	0698-7227	6		RESISTOR 422 1% .05W F TC=0+-100	24546	C3-1/8-TO-422R-F
A3A9R22	0698-7260	7		RESISTOR 10K 1% .05W F TC=0+-100	24546	C3-1/8-TO-1002-F
A3A9R23	0698-7242	5	2	RESISTOR 1.78K 1% .05W F TC=0+-100	24546	C3-1/8-TO-1781-F
A3A9R24	0698-7223	2		RESISTOR 287 1% .05W F TC=0+-100	24546	C3-1/8-TO-287R-F
A3A9R25	0698-7194	6		RESISTOR 17.8 1% .05W F TC=0+-100	24546	C3-1/8-TO-17R8-F
A3A9R26	0698-7223	2		RESISTOR 287 1% .05W F TC=0+-100	24546	C3-1/8-TO-287R-F
A3A9R27	0698-7277	6	2	RESISTOR 51.1K 1% .05W F TC=0+-100	24546	C3-1/8-TO-5112-F
A3A9R28	0698-7205	0		RESISTOR 51.1 1% .05W F TC=0+-100	24546	C3-1/8-TO-51R1-F
A3A9R29	0698-7277	6		RESISTOR 51.1K 1% .05W F TC=0+-100	24546	C3-1/8-TO-5112-F
A3A9R30	0698-7254	9	1	RESISTOR 5.82K 1% .05W F TC=0+-100	24546	C3-1/8-TO-5821-F
A3A9R31	0698-7261	6	3	RESISTOR 11K 1% .05W F TC=0+-100	24546	C3-1/8-TO-1102-F
<i>2234A TO 2526A</i>						
A3A9R32	0698-7209	4		RESISTOR 75 1% .05W F TC=0+-100	24546	C3-1/8-TO-75R0-F
A3A9R33	0698-7217	4	2	RESISTOR 182 1% .05W F TC=0+-100	24546	C3-1/8-TO-182R-F
<i>2419A AND ABOVE</i>						
A3A9R32	0698-7211	6		RESISTOR 90.9 1% .05W F TC=0+-100	24546	C3-1/8-TO-90R9-F
A3A9R33	0698-7209	4		RESISTOR 75 1% .05W F TC=0+-100	24546	C3-1/8-TO-75R0-F
A3A9R34	0698-7229	6		RESISTOR 511 1% .05W F TC=0+-100	24546	C3-1/8-TO-511R-F
A3A9R35	0698-7205	0		RESISTOR 51.1 1% .05W F TC=0+-100	24546	C3-1/8-TO-51R1-F
A3A9TP1	1251-0800	0		CONNECTOR-SGL CONT PIN 1.14-MM-BSC-SZ SQ	28480	1251-0800
A3A9TP2	1251-0800	0		CONNECTOR-SGL CONT PIN 1.14-MM-BSC-SZ SQ	28480	1251-0800
A3A9TP3	1251-0800	0		CONNECTOR-SGL CONT PIN 1.14-MM-BSC-SZ SQ	28480	1251-0800
A3A9TP4	1251-0800	0		CONNECTOR-SGL CONT PIN 1.14-MM-BSC-SZ SQ	28480	1251-0800
A3A9TP5	1251-0800	0		CONNECTOR-SGL CONT PIN 1.14-MM-BSC-SZ SQ	28480	1251-0800
A3A9U1	0955-0096	9	1	MIXER SRAI	28480	0955-0096

†Refer to Section 7 for update information.

*Factory Selected Component (Refer to Section 5).

Table 6-3. Replaceable Parts

Reference Designation	HP Part Number	C D	Qty.	Description	Mfr. Code	Mfr. Part Number
A3A10						
A3A10	08862-60145	2	1	FM SUM LOOP PHASE DETECTOR	28480	08862-60145
A3A10C1	0180-2618	2		CAPACITOR-FXD 33UF+-10% 10VDC TA	25088	D83GS1B10K
A3A10C2	0180-2819	3		CAPACITOR-FXD 22UF+-10% 15VDC TA	25088	D22GS1B15K
A3A10C3	0160-3879	7		CAPACITOR-FXD .01UF +-20% 100VDC CER	28480	0160-3879
A3A10C4	0160-3879	7		CAPACITOR-FXD .01UF +-20% 100VDC CER	28480	0160-3879
A3A10C5	0160-3879	7		CAPACITOR-FXD .01UF +-20% 100VDC CER	28480	0160-3879
A3A10C6	0160-2204	0	1	CAPACITOR-FXD 100PF +-5% 300VDC MICA	28480	0160-2204
A3A10C7	0160-3879	7		CAPACITOR-FXD .01UF +-20% 100VDC CER	28480	0160-3879
A3A10C8	0140-0190	7	1	CAPACITOR-FXD 39PF +-5% 300VDC MICA	72136	DM15E390J0300WV1CR
A3A10C9	0160-4926	7	1	CAPACITOR-FXD 110PF +-6% 200VDC CER	28480	0160-4926
A3A10C10	0160-0575	4		CAPACITOR-FXD .047UF +-20% 50VDC CER	28480	0160-0575
A3A10C11	0160-2306	3		CAPACITOR-FXD 27PF +-5% 300VDC MICA	28480	0160-2306
A3A10C12	0160-3879	7		CAPACITOR-FXD .01UF +-20% 100VDC CER	28480	0160-3879
A3A10C13	0160-3879	7		CAPACITOR-FXD .01UF +-20% 100VDC CER	28480	0160-3879
A3A10C14	0160-3877	5		CAPACITOR-FXD 100PF +-20% 200VDC CER	28480	0160-3877
A3A10C15	0160-0575	4		CAPACITOR-FXD .047UF +-20% 50VDC CER	28480	0160-0575
A3A10C16	0160-3879	7		CAPACITOR-FXD .01UF +-20% 100VDC CER	28480	0160-3879
A3A10C17	0160-3879	7		CAPACITOR-FXD .01UF +-20% 100VDC CER	28480	0160-3879
A3A10C18	0160-3879	7		CAPACITOR-FXD .01UF +-20% 100VDC CER	28480	0160-3879
A3A10C19	0160-3879	7		CAPACITOR-FXD .01UF +-20% 100VDC CER	28480	0160-3879
A3A10C20	0160-0575	4		CAPACITOR-FXD .047UF +-20% 50VDC CER	28480	0160-0575
A3A10C21	0160-3879	7		CAPACITOR-FXD .01UF +-20% 100VDC CER	28480	0160-3879
A3A10C22	0160-2307	4	1	CAPACITOR-FXD 47PF +-5% 300VDC MICA	28480	0160-2307
A3A10C23	0160-4369	6	2	CAPACITOR-FXD 100PF +-5PF 200VDC CER	28480	0160-4369
A3A10C24	0160-3876	4		CAPACITOR-FXD 47PF +-20% 200VDC CER	28480	0160-3876
A3A10DS1	1990-0326	3		LED-LAMP LUM-INT=300UCD IF=50MA-MAX	28480	5082-4444
A3A10J1	1250-1220	0		CONNECTOR-RF SMC M PC 50-OHM	28480	1250-1220
	2190-0124	4		WASHER-LK INTL T NO. 10 .195-IN-ID	28480	2190-0124
	2950-0078	9		NUT-HEX-DBL-CHAM 10-32-THD .067-IN-THK	28480	2950-0078
A3A10L1	9140-0144	0		INDUCTOR RF-CH-MLD 4.7UH 10% .105DX.26LG	28480	9140-0144
A3A10L2	9140-0144	0		INDUCTOR RF-CH-MLD 4.7UH 10% .105DX.26LG	28480	9140-0144
A3A10L3	9100-2247	4		INDUCTOR RF-CH-MLD 100NH 10% .105DX.26LG	28480	9100-2247
A3A10L4	9140-0141	7	3	INDUCTOR RF-CH-MLD 680NH 10% .105DX.26LG	28480	9140-0141
A3A10L5	9100-2247	4		INDUCTOR RF-CH-MLD 100NH 10% .105DX.26LG	28480	9100-2247
A3A10L6	9100-2247	4		INDUCTOR RF-CH-MLD 100NH 10% .105DX.26LG	28480	9100-2247
A3A10L7	9140-0141	7		INDUCTOR RF-CH-MLD 680NH 10% .105DX.26LG	28480	9140-0141
A3A10L8	9140-0144	0		INDUCTOR RF-CH-MLD 4.7UH 10% .105DX.26LG	28480	9140-0144
A3A10L9	9100-0368	6	1	INDUCTOR RF-CH-MLD 330NH 10% .105DX.26LG	28480	9100-0368
A3A10L10	9140-0141	7		INDUCTOR RF-CH-MLD 680NH 10% .105DX.26LG	28480	9140-0141
A3A10MP1	08862-00083	1	1	COVER- 1/8 END	28480	08862-00083
	2360-0113	2		SCREW-MACH 6-32 .25-IN-LG PAN-HD-POZI	00000	ORDER BY DESCRIPTION
A3A10MP2	5001-0176	0		STRAP, GROUND	28480	5001-0176
A3A10MP3	5001-0176	0		STRAP, GROUND	28480	5001-0176
A3A10Q1	1854-0346	8		TRANSISTOR NPN 2N5179 SI TO-72 PD=200MW	04713	2N5179
	1205-0037	0		HEAT SINK TO-18-CS	28480	1205-0037
A3A10Q2	1854-0404	0		TRANSISTOR NPN SI TO-18 PD=360MW	28480	1854-0404
A3A10Q3	1854-0346	8		TRANSISTOR NPN 2N5179 SI TO-72 PD=200MW	04713	2N5179
	1205-0037	0		HEAT SINK TO-18-CS	28480	1205-0037
A3A10Q4	1853-0007	7		TRANSISTOR PNP 2N3251 SI TO-18 PD=360MW	04713	2N3251
A3A10Q5	1854-0404	0		TRANSISTOR NPN SI TO-18 PD=360MW	28480	1854-0404

†Refer to Section 7 for update information.

*Factory Selected Component (Refer to Section 5).

Table 6-3. Replaceable Parts

Reference Designation	HP Part Number	C D	Qty.	Description	Mfr. Code	Mfr. Part Number
A3A10R1*	0698-7208	1	2	RESISTOR 58.2 1% .05W F TC=0+-100	24546	C3-1/8-TO-56R2-F
A3A10R2	0698-7234	5		RESISTOR 825 1% .05W F TC=0+-100	24546	C3-1/8-TO-825R-F
A3A10R3	0698-7222	1		RESISTOR 261 1% .05W F TC=0+-100	24546	C3-1/8-TO-261R-F
A3A10R4	0698-7244	7		RESISTOR 2.15K 1% .05W F TC=0+-100	24546	C3-1/8-TO-2151-F
A3A10R5	0698-7212	9		RESISTOR 100 1% .05W F TC=0+-100	24546	C3-1/8-TO-100R-F
A3A10R6	0698-7247	0		RESISTOR 2.87K 1% .05W F TC=0+-100	24546	C3-1/8-TO-2871-F
A3A10R7	0698-7218	5		RESISTOR 178 1% .05W F TC=0+-100	24546	C3-1/8-TO-178R-F
A3A10R8	0698-7223	2		RESISTOR 287 1% .05W F TC=0+-100	24546	C3-1/8-TO-287R-F
A3A10R9	0757-0346	2		RESISTOR 10 1% .125W F TC=0+-100	24546	C4-1/8-TO-10R0-F
A3A10R10	0698-7227	6		RESISTOR 422 1% .05W F TC=0+-100	24546	C3-1/8-TO-422R-F
A3A10R11	0698-7212	9		RESISTOR 100 1% .05W F TC=0+-100	24546	C3-1/8-TO-100R-F
A3A10R12	0698-7224	3		RESISTOR 316 1% .05W F TC=0+-100	24546	C3-1/8-TO-316R-F
A3A10R13	0698-7244	7		RESISTOR 2.15K 1% .05W F TC=0+-100	24546	C3-1/8-TO-2151-F
A3A10R14	0698-7247	0		RESISTOR 2.87K 1% .05W F TC=0+-100	24546	C3-1/8-TO-2871-F
A3A10R15	0698-7232	3		RESISTOR 681 1% .05W F TC=0+-100	24546	C3-1/8-TO-681R-F
A3A10R16	0698-7243	6		RESISTOR 1.98K 1% .05W F TC=0+-100	24546	C3-1/8-TO-1981-F
A3A10R17	0683-0275	9	1	RESISTOR 2.7 5% .25W FC TC=400/+500	01121	CB27G5
A3A10R18	0698-7227	6		RESISTOR 422 1% .05W F TC=0+-100	24546	C3-1/8-TO-422R-F
A3A10R19	0698-7223	2		RESISTOR 287 1% .05W F TC=0+-100	24546	C3-1/8-TO-287R-F
A3A10R20	0698-7194	6		RESISTOR 17.8 1% .05W F TC=0+-100	24546	C3-1/8-TO-178R-F
A3A10R21	0698-7223	2		RESISTOR 287 1% .05W F TC=0+-100	24546	C3-1/8-TO-287R-F
A3A10R22	0698-7188	8		RESISTOR 10 1% .05W F TC=0+-100	24546	C3-1/8-TO-10R-F
A3A10R23	0698-7251	6		RESISTOR 4.22K 1% .05W F TC=0+-100	24546	C3-1/8-TO-4221-F
A3A10R24	0698-7229	8		RESISTOR 511 1% .05W F TC=0+-100	24546	C3-1/8-TO-511R-F
A3A10R25	0698-7229	8		RESISTOR 511 1% .05W F TC=0+-100	24546	C3-1/8-TO-511R-F
A3A10R26	0698-7234	5		RESISTOR 825 1% .05W F TC=0+-100	24546	C3-1/8-TO-825R-F
A3A10R27	0698-7246	9	1	RESISTOR 2.61K 1% .05W F TC=0+-100	24546	C3-1/8-TO-2611-F
A3A10R28	0698-7229	8		RESISTOR 511 1% .05W F TC=0+-100	24546	C3-1/8-TO-511R-F
A3A10R29	0698-7229	8		RESISTOR 511 1% .05W F TC=0+-100	24546	C3-1/8-TO-511R-F
A3A10R30	0698-7205	0		RESISTOR 51.1 1% .05W F TC=0+-100	24546	C3-1/8-TO-511R1-F
A3A10R31	0698-7236	7		RESISTOR 1K 1% .05W F TC=0+-100	24546	C3-1/8-TO-1001-F
A3A10R32	0698-7236	7		RESISTOR 1K 1% .05W F TC=0+-100	24546	C3-1/8-TO-1001-F
A3A10R33	0698-7241	4	1	RESISTOR 1.82K 1% .05W F TC=0+-100	24546	C3-1/8-TO-1821-F
A3A10R34	0698-7230	1	1	RESISTOR 582 1% .05W F TC=0+-100	24546	C3-1/8-TO-582R-F
A3A10R35	0698-7243	6		RESISTOR 1.98K 1% .05W F TC=0+-100	24546	C3-1/8-TO-1981-F
A3A10R36	0698-7243	6		RESISTOR 1.98K 1% .05W F TC=0+-100	24546	C3-1/8-TO-1981-F
A3A10R37	0698-7281	8		RESISTOR 11K 1% .05W F TC=0+-100	24546	C3-1/8-TO-1102-F
A3A10R38	0698-7261	8		RESISTOR 11K 1% .05W F TC=0+-100	24546	C3-1/8-TO-1102-F
A3A10R39	0698-7248	1		RESISTOR 3.16K 1% .05W F TC=0+-100	24546	C3-1/8-TO-3161-F
A3A10R40	0698-7243	6		RESISTOR 1.98K 1% .05W F TC=0+-100	24546	C3-1/8-TO-1981-F
A3A10R41	0698-7233	4		RESISTOR 750 1% .05W F TC=0+-100	24546	C3-1/8-TO-750R-F
A3A10R42	0698-7250	5	1	RESISTOR 3.83K 1% .05W F TC=0+-100	24546	C3-1/8-TO-3831-F
A3A10R43	0698-7229	8		RESISTOR 511 1% .05W F TC=0+-100	24546	C3-1/8-TO-511R-F
A3A10TP1	1251-0800	0		CONNECTOR-SGL CONT PIN 1.14-MM-BSC-SZ SQ	28480	1251-0800
A3A10TP2	1251-0800	0		CONNECTOR-SGL CONT PIN 1.14-MM-BSC-SZ SQ	28480	1251-0800
A3A10U1	1820-1344	8		IC PL LOOP 14-DIP-C PKG	04713	MC12040L
A3A10U2	0955-0095	8		MIXER SRA1	28480	0955-0095
A3A10U3	1826-0191	3		IC COMPARATOR GP DUAL TO-100 PKG	27014	LM319H
A3A10U4	1820-0903	2		IC GATE ECL OR-NOR TPL	04713	MC10105P

†Refer to Section 7 for update information.

*Factory Selected Component (Refer to Section 5).

Table 6-3. Replaceable Parts

Reference Designation	HP Part Number	C D	Qty.	Description	Mfr. Code	Mfr. Part Number
A3A11						
A3A11	08663-80315	9	1	LF LOOP MOTHER BOARD	28480	08663-80315
A3A11J1	1250-0835	1	3	CONNECTOR-RF SMC M PC 50-OHM	28480	1250-0835
A3A11J2	1250-0835	1		CONNECTOR-RF SMC M PC 50-OHM	28480	1250-0835
A3A11J3	1250-0835	1		CONNECTOR-RF SMC M PC 50-OHM	28480	1250-0835
A3A11J4	1200-0507	9		SOCKET-IC 16-CONT DIP-SLDR	28480	1200-0507
A3A11TP1	1251-0600	0		CONNECTOR-SGL CONT PIN 1.14-MM-BSC-SZ SQ	28480	1251-0600
A3A11TP2	1251-0600	0		CONNECTOR-SGL CONT PIN 1.14-MM-BSC-SZ SQ	28480	1251-0600
A3A11TP3	1251-0600	0		CONNECTOR-SGL CONT PIN 1.14-MM-BSC-SZ SQ	28480	1251-0600
A3A11TP4	1251-0600	0		CONNECTOR-SGL CONT PIN 1.14-MM-BSC-SZ SQ	28480	1251-0600
A3A11TP5	1251-0600	0		CONNECTOR-SGL CONT PIN 1.14-MM-BSC-SZ SQ	28480	1251-0600
A3A11TP6	1251-0600	0		CONNECTOR-SGL CONT PIN 1.14-MM-BSC-SZ SQ	28480	1251-0600
A3A11TP7	1251-0600	0		CONNECTOR-SGL CONT PIN 1.14-MM-BSC-SZ SQ	28480	1251-0600
A3A11TP8	1251-0600	0		CONNECTOR-SGL CONT PIN 1.14-MM-BSC-SZ SQ	28480	1251-0600
A3A11TP9	1251-0600	0		CONNECTOR-SGL CONT PIN 1.14-MM-BSC-SZ SQ	28480	1251-0600
A3A11TP10	1251-0600	0		CONNECTOR-SGL CONT PIN 1.14-MM-BSC-SZ SQ	28480	1251-0600
A3A11TP11	1251-0600	0		CONNECTOR-SGL CONT PIN 1.14-MM-BSC-SZ SQ	28480	1251-0600
A3A11TP12	1251-0600	0		CONNECTOR-SGL CONT PIN 1.14-MM-BSC-SZ SQ	28480	1251-0600
A3A11TP13	1251-0600	0		CONNECTOR-SGL CONT PIN 1.14-MM-BSC-SZ SQ	28480	1251-0600
A3A11XA3A3	1251-2026	8		CONNECTOR-PC EDGE 18-CONT/ROW 2-ROWS	28480	1251-2026
A3A11XA3A4	1251-1633	1	3	CONNECTOR-PC EDGE 15-CONT/ROW 1-ROW	28480	1251-1633
A3A11XA3A5	1251-1633	1		CONNECTOR-PC EDGE 15-CONT/ROW 1-ROW	28480	1251-1633
A3A11XA3A6	1251-2035	9	1	CONNECTOR-PC EDGE 15-CONT/ROW 2-ROWS	28480	1251-2035
A3A11XA3A7	1251-1633	1		CONNECTOR-PC EDGE 15-CONT/ROW 1-ROW	28480	1251-1633
A3A11XA3A8	1251-1631	9	1	CONNECTOR-PC EDGE 10-CONT/ROW 1-ROW	28480	1251-1631
A3A11XA3A9	1251-2034	8	2	CONNECTOR-PC EDGE 10-CONT/ROW 2-ROWS	28480	1251-2034
A3A11XA3A10	1251-2034	8		CONNECTOR-PC EDGE 10-CONT/ROW 2-ROWS	28480	1251-2034

†Refer to Section 7 for update information.

*Factory Selected Component (Refer to Section 5).

Table 6-3. Replaceable Parts

Reference Designation	HP Part Number	C D	Qty.	Description	Mfr. Code	Mfr. Part Number
A4A1						
A4A1	08663-60302	4	1	ALC ASSEMBLY	28480	08663-60302
A4A1C1	0180-0089	7	1	CAPACITOR-FXD 10UF+50-10% 150VDC AL	58288	30D108F150DC2
A4A1C2	0180-2817	1		CAPACITOR-FXD 6.8UF+-10% 35VDC TA	25088	D6R8G51B35K
A4A1C3	0180-0491	5	1	CAPACITOR-FXD 10UF+-20% 25VDC TA	26480	0180-0491
A4A1C4	0180-2618	2		CAPACITOR-FXD 33UF+-10% 10VDC TA	25088	D33GS1B10K
A4A1C5	0180-2618	2		CAPACITOR-FXD 33UF+-10% 10VDC TA	25088	D33GS1B10K
A4A1C6	0160-3875	3		CAPACITOR-FXD 22PF +-5% 200VDC CER 0+-30	28480	0160-3875
A4A1C7	0160-0576	5		CAPACITOR-FXD .1UF +-20% 50VDC CER	28480	0160-0576
A4A1C8	0160-0576	5		CAPACITOR-FXD .1UF +-20% 50VDC CER	28480	0160-0576
A4A1C9	0160-3875	3		CAPACITOR-FXD 22PF +-5% 200VDC CER 0+-30	28480	0160-3875
A4A1C10	0160-0576	5		CAPACITOR-FXD .1UF +-20% 50VDC CER	28480	0160-0576
A4A1C11	0180-2617	1		CAPACITOR-FXD 6.8UF+-10% 35VDC TA	25088	D6R8G51B36K
A4A1C12	0160-3875	3		CAPACITOR-FXD 22PF +-5% 200VDC CER 0+-30	28480	0160-3875
A4A1C13	0160-0576	5		CAPACITOR-FXD .1UF +-20% 50VDC CER	28480	0160-0576
A4A1C14	0180-2618	2		CAPACITOR-FXD 33UF+-10% 10VDC TA	25088	D33GS1B10K
A4A1C15	0160-0576	5		CAPACITOR-FXD .1UF +-20% 50VDC CER	28480	0160-0576
A4A1C16	0160-3875	3		CAPACITOR-FXD 22PF +-5% 200VDC CER 0+-30	28480	0160-3875
A4A1C17	0160-0576	5		CAPACITOR-FXD .1UF +-20% 50VDC CER	28480	0160-0576
A4A1C18	0160-4768	5		CAPACITOR-FXD 470PF +-5% 100VDC CER	28480	0160-4768
A4A1C19	0160-3875	3		CAPACITOR-FXD 22PF +-5% 200VDC CER 0+-30	28480	0160-3875
A4A1C20	0160-3875	3		CAPACITOR-FXD 22PF +-5% 200VDC CER 0+-30	28480	0160-3875
A4A1C21	0160-3874	2		CAPACITOR-FXD 10PF +-5PF 200VDC CER	28480	0160-3874
A4A1C22	0160-3875	3		CAPACITOR-FXD 22PF +-5% 200VDC CER 0+-30	28480	0160-3875
A4A1C23	0180-4103	2	2	CAPACITOR-FXD 220PF +-5% 100VDC CER	72982	8121-M100-COG-221J
A4A1C24	0160-0576	5		CAPACITOR-FXD .1UF +-20% 50VDC CER	28480	0160-0576
A4A1C25	0160-0576	5		CAPACITOR-FXD .1UF +-20% 50VDC CER	28480	0160-0576
A4A1C26	0160-3875	3		CAPACITOR-FXD 22PF +-5% 200VDC CER 0+-30	28480	0160-3875
A4A1C27	0160-3875	3		CAPACITOR-FXD 22PF +-5% 200VDC CER 0+-30	28480	0160-3875
A4A1C28	0180-2661	5	1	CAPACITOR-FXD 1UF+-10% 50VDC TA	25088	D1R0GS1A50K
A4A1C29	0160-0576	5		CAPACITOR-FXD .1UF +-20% 50VDC CER	28480	0160-0576
A4A1C30	0160-0576	5		CAPACITOR-FXD .1UF +-20% 50VDC CER	28480	0160-0576
A4A1C31	0160-3875	3		CAPACITOR-FXD 22PF +-5% 200VDC CER 0+-30	28480	0160-3875
A4A1C32	0160-0576	5		CAPACITOR-FXD .1UF +-20% 50VDC CER	28480	0160-0576
A4A1C33	0160-0576	5		CAPACITOR-FXD .1UF +-20% 50VDC CER	28480	0160-0576
A4A1C34	0160-0576	5		CAPACITOR-FXD .1UF +-20% 50VDC CER	28480	0160-0576
A4A1C35	0160-0576	5		CAPACITOR-FXD .1UF +-20% 50VDC CER	28480	0160-0576
A4A1C36	0160-4389	6		CAPACITOR-FXD 100PF +-5PF 200VDC CER	28480	0160-4389
A4A1C37	0160-0576	5		CAPACITOR-FXD .1UF +-20% 50VDC CER	28480	0160-0576
A4A1C38	0160-0576	5		CAPACITOR-FXD .1UF +-20% 50VDC CER	28480	0160-0576
A4A1C39	0160-3874	2		CAPACITOR-FXD 10PF +-5PF 200VDC CER	28480	0160-3874
A4A1C40	0160-3874	2		CAPACITOR-FXD 10PF +-5PF 200VDC CER	28480	0160-3874
A4A1C41	0160-2246	0	2	CAPACITOR-FXD 3.6PF +-25PF 500VDC CER	28480	0160-2246
A4A1C42	0160-2246	0		CAPACITOR-FXD 3.6PF +-25PF 500VDC CER	28480	0160-2246
A4A1C43	0180-0576	5		CAPACITOR-FXD .1UF +-20% 50VDC CER	28480	0160-0576
A4A1C44	0160-0576	5		CAPACITOR-FXD .1UF +-20% 50VDC CER	28480	0160-0576
A4A1C45	0180-4103	2		CAPACITOR-FXD 220PF +-5% 100VDC CER	72982	8121-M100-COG-221J

† Refer to Section 7 for update information.

* Factory Selected Component (Refer to Section 5.)

Table 6-3. Replaceable Parts

Reference Designation	HP Part Number	C D	Qty.	Description	Mfr. Code	Mfr. Part Number
A4A1C46	0160-0576	5		CAPACITOR-FXD .1UF +-20% 50VDC CER	28480	0160-0576
A4A1C47	0160-0576	5		CAPACITOR-FXD .1UF +-20% 50VDC CER	28480	0160-0576
A4A1C48	0160-0576	5		CAPACITOR-FXD .1UF +-20% 50VDC CER	28480	0160-0576
A4A1C49	0160-3400	0	2	CAPACITOR-FXD .01UF +-5% 200VDC	28480	0160-3400
A4A1C50	0160-4243	1	2	CAPACITOR-FXD .022UF +-10% 50VDC	27556	BA4775K
A4A1C51	0160-3501	2	1	CAPACITOR-FXD 4UF +-10% 50VDC MET-POLYC	28480	0160-3501
A4A1C52	0160-3400	0		CAPACITOR-FXD .01UF +-5% 200VDC	28480	0160-3400
A4A1C53	0160-0576	5		CAPACITOR-FXD .1UF +-20% 50VDC CER	28480	0160-0576
A4A1C54	0160-4243	1		CAPACITOR-FXD .022UF +-10% 50VDC	27556	BA4775K
A4A1C55	0160-0576	5		CAPACITOR-FXD .1UF +-20% 50VDC CER	28480	0160-0576
A4A1C56	0160-0576	5		CAPACITOR-FXD .1UF +-20% 50VDC CER	28480	0160-0576
A4A1C57	0160-4031	5	2	CAPACITOR-FXD 330PF +-5% 100VDC CER	28480	0160-4031
A4A1C58	0160-4768	5		CAPACITOR-FXD 470PF +-5% 100VDC CER	28480	0160-4768
A4A1C59	0160-4031	5		CAPACITOR-FXD 330PF +-5% 100VDC CER	28480	0160-4031
A4A1CR1	1901-0539	3	4	DIODE-SM SIG SCHOTTKY	28480	1901-0539
A4A1CR2	1901-0539	3		DIODE-SM SIG SCHOTTKY	28480	1901-0539
A4A1CR3	1901-0050	3		DIODE-SWITCHING 80V 200MA 2NS DO-35	28480	1901-0050
A4A1CR4	1901-0050	3		DIODE-SWITCHING 80V 200MA 2NS DO-35	28480	1901-0050
A4A1CR5	1901-0050	3		DIODE-SWITCHING 80V 200MA 2NS DO-35	28480	1901-0050
A4A1CR6	1901-0050	3		DIODE-SWITCHING 80V 200MA 2NS DO-35	28480	1901-0050
A4A1CR7	1901-0050	3		DIODE-SWITCHING 80V 200MA 2NS DO-35	28480	1901-0050
A4A1CR8	1901-0050	3		DIODE-SWITCHING 80V 200MA 2NS DO-35	28480	1901-0050
A4A1CR9	1901-0539	3		DIODE-SM SIG SCHOTTKY	28480	1901-0539
A4A1CR10	1901-0539	3		DIODE-SM SIG SCHOTTKY	28480	1901-0539
A4A1CR11	1901-0050	3		DIODE-SWITCHING 80V 200MA 2NS DO-35	28480	1901-0050
A4A1CR12	1901-0050	3		DIODE-SWITCHING 80V 200MA 2NS DO-35	28480	1901-0050
A4A1CR13	1901-0050	3		DIODE-SWITCHING 80V 200MA 2NS DO-35	28480	1901-0050
A4A1CR14	1901-0050	3		DIODE-SWITCHING 80V 200MA 2NS DO-35	28480	1901-0050
A4A1CR15	1901-0050	3		DIODE-SWITCHING 80V 200MA 2NS DO-35	28480	1901-0050
A4A1CR16	1901-0050	3		DIODE-SWITCHING 80V 200MA 2NS DO-35	28480	1901-0050
A4A1CR17	1901-0050	3		DIODE-SWITCHING 80V 200MA 2NS DO-35	28480	1901-0050
A4A1CR18	1901-0050	3		DIODE-SWITCHING 80V 200MA 2NS DO-35	28480	1901-0050
A4A1CR19	1901-0050	3		DIODE-SWITCHING 80V 200MA 2NS DO-35	28480	1901-0050
A4A1CR20	1901-0050	3		DIODE-SWITCHING 80V 200MA 2NS DO-35	28480	1901-0050
A4A1CR21	1901-0050	3		DIODE-SWITCHING 80V 200MA 2NS DO-35	28480	1901-0050
A4A1CR22	1901-0050	3		DIODE-SWITCHING 80V 200MA 2NS DO-35	28480	1901-0050
A4A1CR23	1901-0050	3		DIODE-SWITCHING 80V 200MA 2NS DO-35	28480	1901-0050
A4A1CR24	1901-0050	3		DIODE-SWITCHING 80V 200MA 2NS DO-35	28480	1901-0050
A4A1CR25	1901-0050	3		DIODE-SWITCHING 80V 200MA 2NS DO-35	28480	1901-0050
A4A1DS1	1902-0326	8	1	DIODE-ZNR 8.87V 5% PD=1.5W	28480	1902-0326
A4A1J1	1250-1220	0		CONNECTOR-RF SMC M PC 50-OHM	28480	1250-1220
	2190-0124	4		WASHER-LK INTL T NO. 10 .195-IN-ID	28480	2190-0124
	2950-0078	9		NUT-HEX-DBL-CHAM 10-32-THD .067-IN-THK	28480	2950-0078
A4A1L1	9100-4078	3	4	INDUCTOR 650H 54%	28480	9100-4078
A4A1L2	9100-4078	3		INDUCTOR 650H 54%	28480	9100-4078
A4A1L3	9100-4078	3		INDUCTOR 650H 54%	28480	9100-4078
A4A1L4	9100-4078	3		INDUCTOR 650H 54%	28480	9100-4078
A4A1L5	9170-0029	3		CORE-SHIELDING BEAD	28480	9170-0029

† Refer to Section 7 for update information.

* Factory Selected Component (Refer to Section 5.)

Table 6-3. Replaceable Parts

Reference Designation	HP Part Number	C D	Qty.	Description	Mfr. Code	Mfr. Part Number
A4A1L6	9170-0029	3		CORE-SHIELDING BEAD	29480	9170-0029
A4A1MP1	08663-00050 2380-0113	3 2	1	COVER AGC SCREW-MACH 6-32 .25-IN-LG PAN-HD-POZI	29480 00000	08663-00050 ORDER BY DESCRIPTION
A4A1Q1	1855-0414	4	5	TRANSISTOR J-FET 2N4393 N-CHAN D-MODE	04713	2N4393
A4A1Q2	1853-0459	3	5	TRANSISTOR PNP SI PD=625MW FT=200MHZ	29480	1853-0459
A4A1Q3	1854-0637	1	5	TRANSISTOR NPN 2N2219A SI TO-5 PD=800MW	01295	2N2219A
A4A1Q4	1854-0637	1		TRANSISTOR NPN 2N2219A SI TO-5 PD=800MW	01295	2N2219A
A4A1Q5	1854-0637	1		TRANSISTOR NPN 2N2219A SI TO-5 PD=800MW	01295	2N2219A
A4A1Q6	1855-0414	4		TRANSISTOR J-FET 2N4393 N-CHAN D-MODE	04713	2N4393
A4A1Q7	1855-0414	4		TRANSISTOR J-FET 2N4393 N-CHAN D-MODE	04713	2N4393
A4A1Q8	1855-0414	4		TRANSISTOR J-FET 2N4393 N-CHAN D-MODE	04713	2N4393
A4A1Q9	1854-0811	3	6	TRANSISTOR NPN SI PD=625MW FT=100MHZ	29480	1854-0811
A4A1Q10	1854-0811	3		TRANSISTOR NPN SI PD=625MW FT=100MHZ	29480	1854-0811
	9170-0947	3	1	CORE-SHIELDING BEAD	02114	56-580-65/3B PARYLENE COATED
2234A TO 2546A A4A1Q11	1853-0316	1	2	TRANSISTOR-DUAL PNP PD=500MW	29480	1853-0316
2548A AND ABOVE A4A1Q11	1853-0594	7		TRANSISTOR-DUAL PNP 2N3808 TO-78	04713	2N3808
A4A1Q12	1854-0811	3		TRANSISTOR NPN SI PD=625MW FT=100MHZ	29480	1854-0811
A4A1Q13	1854-0811	3		TRANSISTOR NPN SI PD=625MW FT=100MHZ	29480	1854-0811
2234A TO 2546A A4A1Q14	1853-0316	1		TRANSISTOR-DUAL PNP PD=500MW	29480	1853-0316
2548A AND ABOVE A4A1Q14	1853-0594	7		TRANSISTOR-DUAL PNP 2N3808 TO-78	04713	2N3808
A4A1Q15	1855-0414	4		TRANSISTOR J-FET 2N4393 N-CHAN D-MODE	04713	2N4393
A4A1Q16	1854-0811	3		TRANSISTOR NPN SI PD=625MW FT=100MHZ	29480	1854-0811
A4A1Q17	1854-0637	1		TRANSISTOR NPN 2N2219A SI TO-5 PD=800MW	01295	2N2219A
A4A1Q18	1854-0811	3		TRANSISTOR NPN SI PD=625MW FT=100MHZ	29480	1854-0811
A4A1Q19	1853-0314	9	1	TRANSISTOR PNP 2N2905A SI TO-39 PD=600MW	04713	2N2905A
	0340-0834	0	1	INSULATOR-XSTR POLYI	29480	0340-0834
	1205-0095	0	1	HEAT SINK SGL TO-5/TO-39-CS	30161	3225B
A4A1Q20	1853-0405	9	1	TRANSISTOR PNP SI PD=300MW FT=850MHZ	04713	2N4209
A4A1R1	0698-7252	7		RESISTOR 4.64K 1% .05W F TC=0+-100	24546	C3-1/8-T0-4641-F
A4A1R2	0698-7228	7	1	RESISTOR 464 1% .05W F TC=0+-100	24546	C3-1/8-T0-464R-F
A4A1R3	0698-7253	8		RESISTOR 5.11K 1% .05W F TC=0+-100	24546	C3-1/8-T0-5111-F
A4A1R4	2100-3056	8	2	RESISTOR-TRMR 5K 10% C SIDE-ADJ 17-TRN	02111	43P502
A4A1R5	0757-0818	3	1	RESISTOR 825 1% .5W F TC=0+-100	29480	0757-0818
A4A1R6	0698-3154	0		RESISTOR 4.22K 1% .125W F TC=0+-100	24546	C4-1/8-T0-4221-F
A4A1R7	0698-7248	1		RESISTOR 3.18K 1% .05W F TC=0+-100	24546	C3-1/8-T0-3161-F
A4A1R8	2100-3056	8		RESISTOR-TRMR 5K 10% C SIDE-ADJ 17-TRN	02111	43P502
A4A1R9	0698-7236	7		RESISTOR 1K 1% .05W F TC=0+-100	24546	C3-1/8-T0-1001-F
A4A1R10	0698-7212	9		RESISTOR 100 1% .05W F TC=0+-100	24546	C3-1/8-T0-100R-F
A4A1R11	0698-7212	9		RESISTOR 100 1% .05W F TC=0+-100	24546	C3-1/8-T0-100R-F
A4A1R12	0698-7260	7		RESISTOR 10K 1% .05W F TC=0+-100	24546	C3-1/8-T0-1002-F
A4A1R13	0698-7212	9		RESISTOR 100 1% .05W F TC=0+-100	24546	C3-1/8-T0-100R-F
A4A1R14	0698-7260	7		RESISTOR 10K 1% .05W F TC=0+-100	24546	C3-1/8-T0-1002-F
A4A1R15	0698-7212	9		RESISTOR 100 1% .05W F TC=0+-100	24546	C3-1/8-T0-100R-F
A4A1R16	0698-7212	9		RESISTOR 100 1% .05W F TC=0+-100	24546	C3-1/8-T0-100R-F
A4A1R17	0757-0732	0	1	RESISTOR 909 1% .25W F TC=0+-100	24546	C5-1/4-T0-909R-F
A4A1R18	0698-0092	7		RESISTOR 464 1% .125W F TC=0+-100	24546	C4-1/8-T0-4640-F
A4A1R19	2100-3103	6	3	RESISTOR-TRMR 10K 10% C SIDE-ADJ 17-TRN	02111	43P103
A4A1R20	0757-0280	3		RESISTOR 1K 1% .125W F TC=0+-100	24546	C4-1/8-T0-1001-F
A4A1R21	0757-0417	6	1	RESISTOR 562 1% .125W F TC=0+-100	24546	C4-1/8-T0-562R-F

† Refer to Section 7 for update information.

* Factory Selected Component (Refer to Section 5.)

Table 4-3. Replaceable Parts

A4A1R22	2100-3207	1	2	RESISTOR-TRMR 5K 10% C SIDE-ADJ 1-TRN	28480	2100-3207
A4A1R23	2100-3353	8	2	RESISTOR-TRMR 20K 10% C SIDE-ADJ 1-TRN	28480	2100-3353
A4A1R24	2100-3207	1		RESISTOR-TRMR 5K 10% C SIDE-ADJ 1-TRN	28480	2100-3207
A4A1R25	2100-3352	7	1	RESISTOR-TRMR 1K 10% C SIDE-ADJ 1-TRN	28480	2100-3352
A4A1R28	0698-7229	8		RESISTOR 511 1% .05W F TC = 0 + -100	24548	C3-1/8-T0-511R-F
A4A1R27	0757-1094	8	1	RESISTOR 1.47K 1% .125W F TC = 0 + -100	24548	C4-1/8-T0-1471-F
A4A1R28	0757-0279	0		RESISTOR 3.18K 1% .125W F TC = 0 + -100	24548	C4-1/8-T0-3161-F
A4A1R29	0698-7260	7		RESISTOR 10K 1% .05W F TC = 0 + -100	24548	C3-1/8-T0-1002-F
A4A1R30	0698-7236	7		RESISTOR 1K 1% .05W F TC = 0 + -100	24548	C3-1/8-T0-1001-F
A4A1R31	0698-7220	9		RESISTOR 215 1% .05W F TC = 0 + -100	24548	C3-1/8-T0-215R-F
A4A1R32	0757-0279	0		RESISTOR 3.16K 1% .125W F TC = 0 + -100	24548	C4-1/8-T0-3161-F
A4A1R33	0698-3152	8		RESISTOR 3.48K 1% .125W F TC = 0 + -100	24548	C4-1/8-T0-3481-F
A4A1R34	2100-3109	2	1	RESISTOR-TRMR 2K 10% C SIDE-ADJ 17-TRN	02111	43P202
A4A1R35	0698-0085	0	1	RESISTOR 2.61K 1% .125W F TC = 0 + -100	24548	C4-1/8-T0-2611-F
A4A1R36	0698-0082	7		RESISTOR 464 1% .125W F TC = 0 + -100	24548	C4-1/8-T0-4640-F
A4A1R37	0698-7253	8		RESISTOR 5.11K 1% .05W F TC = 0 + -100	24548	C3-1/8-T0-5111-F
A4A1R38	2100-3354	8		RESISTOR-TRMR 50K 10% TKF SIDE-ADJ 1-TRN	03744	3386X-V48-503
A4A1R39	0698-3152	8		RESISTOR 3.48K 1% .125W F TC = 0 + -100	24548	C4-1/8-T0-3481-F
A4A1R40	0698-7259	4	2	RESISTOR 9.09K 1% .05W F TC = 0 + -100	24548	C3-1/8-T0-9091-F
A4A1R41	0698-7272	1		RESISTOR 31.6K 1% .05W F TC = 0 + -100	24548	C3-1/8-T0-3162-F
A4A1R42	0698-7236	7		RESISTOR 1K 1% .05W F TC = 0 + -100	24548	C3-1/8-T0-1001-F
A4A1R43	0698-7259	4		RESISTOR 9.09K 1% .05W F TC = 0 + -100	24548	C3-1/8-T0-9091-F
A4A1R44	0698-7212	9		RESISTOR 100 1% .05W F TC = 0 + -100	24548	C3-1/8-T0-100R-F
A4A1R45	0698-7212	9		RESISTOR 100 1% .05W F TC = 0 + -100	24548	C3-1/8-T0-100R-F
A4A1R46	0698-7253	8		RESISTOR 5.11K 1% .05W F TC = 0 + -100	24548	C3-1/8-T0-5111-F
A4A1R47	0698-7253	8		RESISTOR 5.11K 1% .05W F TC = 0 + -100	24548	C3-1/8-T0-5111-F
A4A1R48	0698-7284	5		RESISTOR 100K 1% .05W F TC = 0 + -100	24548	C3-1/8-T0-1003-F
A4A1R49	0698-7236	7		RESISTOR 1K 1% .05W F TC = 0 + -100	24548	C3-1/8-T0-1001-F
A4A1R50	0698-7236	7		RESISTOR 1K 1% .05W F TC = 0 + -100	24548	C3-1/8-T0-1001-F
A4A1R51	0698-3453	2	1	RESISTOR 196K 1% .125W F TC = 0 + -100	24548	C4-1/8-T0-1963-F
A4A1R52	0698-7212	9		RESISTOR 100 1% .05W F TC = 0 + -100	24548	C3-1/8-T0-100R-F
A4A1R53	0698-7212	9		RESISTOR 100 1% .05W F TC = 0 + -100	24548	C3-1/8-T0-100R-F
A4A1R54	0698-7260	7		RESISTOR 10K 1% .05W F TC = 0 + -100	24548	C3-1/8-T0-1002-F
A4A1R55	0698-7267	4	1	RESISTOR 19.6K 1% .05W F TC = 0 + -100	24548	C3-1/8-T0-1962-F
A4A1R56	0698-7222	1		RESISTOR 261 1% .05W F TC = 0 + -100	24548	C3-1/8-T0-261R-F
A4A1R57	0764-0013	5	1	RESISTOR 56 5% 2W MO TC = 0 + -200	28480	0764-0013
A4A1R58	0757-0198	2	1	RESISTOR 100 1% .5W F TC = 0 + -100	28480	0757-0198
A4A1R59	0698-7205	0		RESISTOR 51.1 1% .05W F TC = 0 + -100	24548	C3-1/8-T0-51R1-F
A4A1R60	0698-7240	3		RESISTOR 1.47K 1% .05W F TC = 0 + -100	24548	C3-1/8-T0-1471-F
A4A1R61	0698-7249	2		RESISTOR 3.48K 1% .05W F TC = 0 + -100	24548	C3-1/8-T0-3481-F
A4A1R62	0698-7281	2	1	RESISTOR 75K 2% .05W F TC = 0 + -100	24548	C3-1/8-T0-7502-G
A4A1R63	0757-0419	0		RESISTOR 681 1% .125W F TC = 0 + -100	24548	C4-1/8-T0-681R-F
A4A1R64	0698-7212	9		RESISTOR 100 1% .05W F TC = 0 + -100	24548	C3-1/8-T0-100R-F
A4A1R65	0698-7212	9		RESISTOR 100 1% .05W F TC = 0 + -100	24548	C3-1/8-T0-100R-F
A4A1R66	0698-7231	2	1	RESISTOR 619 1% .05W F TC = 0 + -100	24548	C3-1/8-T0-619R-F
A4A1R67	0698-3454	3	3	RESISTOR 215K 1% .125W F TC = 0 + -100	24548	C4-1/8-T0-2153-F
A4A1R68	0698-3454	3		RESISTOR 215K 1% .125W F TC = 0 + -100	24548	C4-1/8-T0-2153-F
A4A1R69	0698-3454	3		RESISTOR 215K 1% .125W F TC = 0 + -100	24548	C4-1/8-T0-2153-F
A4A1R70	0698-7224	3		RESISTOR 316 1% .05W F TC = 0 + -100	24548	C3-1/8-T0-316R-F
A4A1R71	0698-7245	8		RESISTOR 2.37K 1% .05W F TC = 0 + -100	24548	C3-1/8-T0-2371-F

Table 6-3. Replaceable Parts

Reference Designation	HP Part Number	C D	Qty.	Description	Mfr. Code	Mfr. Part Number
A4A1R72	0698-7216	3		RESISTOR 147 1% .05W F TC=0+-100	24546	C3-1/8-T0-147R-F
A4A1R73	0698-7238	9		RESISTOR 1.21K 1% .05W F TC=0+-100	24546	C3-1/8-T0-1211-F
A4A1R74	0698-7245	6		RESISTOR 2.37K 1% .05W F TC=0+-100	24546	C3-1/8-T0-2371-F
A4A1R75	0698-7216	5		RESISTOR 178 1% .05W F TC=0+-100	24546	C3-1/8-T0-178R-F
A4A1R76	0698-7217	4		RESISTOR 162 1% .05W F TC=0+-100	24546	C3-1/8-T0-162R-F
A4A1R77	0698-3152	8		RESISTOR 3.48K 1% .125W F TC=0+-100	24546	C4-1/8-T0-3481-F
A4A1R78	0698-7232	3		RESISTOR 681 1% .05W F TC=0+-100	24546	C3-1/8-T0-681R-F
A4A1R79	0698-7238	9		RESISTOR 1.21K 1% .05W F TC=0+-100	24546	C3-1/8-T0-1211-F
A4A1R80	0698-7255	0		RESISTOR 6.19K 1% .05W F TC=0+-100	24546	C3-1/8-T0-6191-F
A4A1R81	0698-7239	0	2	RESISTOR 1.33K 1% .05W F TC=0+-100	24546	C3-1/8-T0-1331-F
A4A1R82	0698-7216	3		RESISTOR 147 1% .05W F TC=0+-100	24546	C3-1/8-T0-147R-F
A4A1R83	0698-7242	5		RESISTOR 1.79K 1% .05W F TC=0+-100	24546	C3-1/8-T0-1791-F
A4A1R84	0698-7255	0		RESISTOR 6.19K 1% .05W F TC=0+-100	24546	C3-1/8-T0-6191-F
A4A1R85	0757-0440	7	3	RESISTOR 7.5K 1% .125W F TC=0+-100	24546	C4-1/8-T0-7501-F
A4A1R86	0698-4645	6	4	RESISTOR 4.22K 1% .25W F TC=0+-100	24546	C5-1/4-T0-4221-F
A4A1R87	0698-4645	6		RESISTOR 4.22K 1% .25W F TC=0+-100	24546	C5-1/4-T0-4221-F
A4A1R88	0698-0086	1	2	RESISTOR 2.87K 1% .25W F TC=0+-100	24546	C5-1/4-T0-2871-F
A4A1R89	0698-0086	1		RESISTOR 2.87K 1% .25W F TC=0+-100	24546	C5-1/4-T0-2871-F
A4A1R90	0698-4645	6		RESISTOR 4.22K 1% .25W F TC=0+-100	24546	C5-1/4-T0-4221-F
A4A1R91	0698-4645	6		RESISTOR 4.22K 1% .25W F TC=0+-100	24546	C5-1/4-T0-4221-F
A4A1R92	0757-0440	7		RESISTOR 7.5K 1% .125W F TC=0+-100	24546	C4-1/8-T0-7501-F
A4A1R93	0757-0833	2	2	RESISTOR 5.11K 1% .5W F TC=0+-100	28480	0757-0833
A4A1R94	0757-0833	2		RESISTOR 5.11K 1% .5W F TC=0+-100	28480	0757-0833
A4A1R95	0698-7253	6		RESISTOR 5.11K 1% .05W F TC=0+-100	24546	C3-1/8-T0-5111-F
A4A1R96	0757-0421	4		RESISTOR 825 1% .125W F TC=0+-100	24546	C4-1/8-T0-825R-F
A4A1R97	0698-8827	4	4	RESISTOR 1M 1% .125W F TC=0+-100	28480	0698-8827
A4A1R98	0698-8827	4		RESISTOR 1M 1% .125W F TC=0+-100	28480	0698-8827
A4A1R99	0698-8827	4		RESISTOR 1M 1% .125W F TC=0+-100	28480	0698-8827
A4A1R100	0698-8827	4		RESISTOR 1M 1% .125W F TC=0+-100	28480	0698-8827
A4A1R101	0698-7284	5		RESISTOR 100K 1% .05W F TC=0+-100	24546	C3-1/8-T0-1003-F
A4A1R102	0698-7212	9		RESISTOR 100 1% .05W F TC=0+-100	24546	C3-1/8-T0-100R-F
A4A1R103	0698-7212	9		RESISTOR 100 1% .05W F TC=0+-100	24546	C3-1/8-T0-100R-F
A4A1R104	0698-7212	9		RESISTOR 100 1% .05W F TC=0+-100	24546	C3-1/8-T0-100R-F
A4A1R105	0698-7212	9		RESISTOR 100 1% .05W F TC=0+-100	24546	C3-1/8-T0-100R-F
A4A1R106	2100-3161	6	2	RESISTOR-TRMR 20K 10% C SIDE-ADJ 17-TRN	02111	43P203
A4A1R107	2100-3161	6		RESISTOR-TRMR 20K 10% C SIDE-ADJ 17-TRN	02111	43P203
A4A1R108	0698-7260	7		RESISTOR 10K 1% .05W F TC=0+-100	24546	C3-1/8-T0-1002-F
A4A1R109	0757-0280	3		RESISTOR 1K 1% .125W F TC=0+-100	24546	C4-1/8-T0-1001-F
A4A1R110	0757-0280	3		RESISTOR 1K 1% .125W F TC=0+-100	24546	C4-1/8-T0-1001-F
A4A1R111	0757-0338	2	1	RESISTOR 1K 1% .25W F TC=0+-100	24546	C5-1/4-T0-1001-F
A4A1R112	0698-7238	9		RESISTOR 1.21K 1% .05W F TC=0+-100	24546	C3-1/8-T0-1211-F
A4A1R113	0698-7239	0		RESISTOR 1.33K 1% .05W F TC=0+-100	24546	C3-1/8-T0-1331-F
A4A1R114	0757-0397	3		RESISTOR 68.1 1% .125W F TC=0+-100	24546	C4-1/8-T0-68R1-F
A4A1R115	1810-0316	1	1	NETWORK-RES 16-DIP10.0K OHM X B	01121	318B103
A4A1R116	0757-0418	9		RESISTOR 619 1% .125W F TC=0+-100	24546	C4-1/8-T0-619R-F
A4A1R117	0757-0418	9		RESISTOR 619 1% .125W F TC=0+-100	24546	C4-1/8-T0-619R-F
A4A1R118	0698-3446	3	2	RESISTOR 383 1% .125W F TC=0+-100	24546	C4-1/8-T0-383R-F
A4A1R119	0698-3446	3		RESISTOR 383 1% .125W F TC=0+-100	24546	C4-1/8-T0-383R-F
A4A1R120	0757-0418	9		RESISTOR 619 1% .125W F TC=0+-100	24546	C4-1/8-T0-619R-F
A4A1R121	0757-0418	9		RESISTOR 619 1% .125W F TC=0+-100	24546	C4-1/8-T0-619R-F

† Refer to Section 7 for update information.

* Factory Selected Component (Refer to Section 5.)

Table 6-3. Replaceable Parts

Reference Designation	HP Part Number	C D	Qty.	Description	Mfr. Code	Mfr. Part Number
A4A1R122	0698-7280	7		RESISTOR 10K 1% .05W F TC=0+-100	24548	C3-1/8-T0-1002-F
A4A1S1	3101-2128	4	1	SWITCH-8L S-SPDT DIP-SLIDE-ASSY .1A	28480	3101-2128
A4A1TP22	1251-0800	0		CONNECTOR-SGL CONT PIN 1.14-MMM-BSC-SZ SQ	28480	1251-0800
A4A1U1	1828-0358	4	2	IC OP AMP LOW-BIAS-H-IMPD TO-98 PKG	27014	LF256H, SEL NOISE
	1205-0011	0		HEAT SINK TO-5/TO-39-CS	28480	1205-0011
A4A1U2	1826-0783	9	1	IC OP AMP LOW-NOISE 8-DIP-C PKG	52063	XR5534ACN
A4A1U3	1826-0850	1	4	IC SWITCH ANLG QUAD 16-DIP-P PKG	17856	DG211CJ
A4A1U5	1820-1202	7		IC GATE TTL LS NAND TPL 3-INP	01295	SN74LS10N
A4A1U6	1826-0358	4		IC OP AMP LOW-BIAS-H-IMPD TO-98 PKG	27014	LF256H, SEL NOISE
	1205-0011	0		HEAT SINK TO-5/TO-39-CS	28480	1205-0011
A4A1U7	1826-0347	1	1	IC COMPARATOR GP QUAD 14-DIP-P PKG	28480	1826-0347
A4A1U8	1826-0850	1		IC SWITCH ANLG QUAD 16-DIP-P PKG	17856	DG211CJ
A4A1U9	1828-0889	6	2	IC OP AMP LOW-NOISE DUAL 14-DIP-C PKG	52063	XR5533AN(PER HP DWG)
A4A1U10	1820-1418	5	1	IC SCHMITT-TRIG TTL LS INV HEX 1-INP	01295	SN74LS14N
A4A1U11	1820-0881	4		IC GATE TTL S NAND QUAD 2-INP	01295	SN74S00N
A4A1U12	1820-1211	8	1	IC GATE TTL LS EXCL-OR QUAD 2-INP	01295	SN74LS96N
A4A1U13	1826-0921	7		D/A 10-BIT 16-CBRZ/SDR CMOS	28480	1826-0921
A4A1U14	1826-0889	6		IC OP AMP LOW-NOISE DUAL 14-DIP-C PKG	52063	XR5533AN(PER HP DWG)
A4A1U15	1820-1281	2		IC DCDR TTL LS 2-TO-4-LINE DUAL 2-INP	01295	SN74LS139N
A4A1U16	1820-1281	2		IC DCDR TTL LS 2-TO-4-LINE DUAL 2-INP	01295	SN74LS139N
A4A1U17	1826-0850	1		IC SWITCH ANLG QUAD 16-DIP-P PKG	17856	DG211CJ
A4A1U18	1826-0850	1		IC SWITCH ANLG QUAD 16-DIP-P PKG	17856	DG211CJ
A4A1U19	1826-0412	1	1	IC COMPARATOR PRCN DUAL 8-DIP-P PKG	27014	LM393N
A4A1VR1	1902-0890	7	1	DIODE-ZNR 1N827 6.2V 5% DO-7 PD=.4W	24046	1N827
A4A1VR2	1902-0951	5	4	DIODE-ZNR 5.1V 5% DO-35 PD=.4W TC=+.035%	28480	1902-0951
A4A1VR3	1902-0952	6	1	DIODE-ZNR 5.6V 5% DO-35 PD=.4W TC=+.046%	28480	1902-0952
A4A1VR4	1902-0950	4	1	DIODE-ZNR 4.7V 5% DO-35 PD=.4W TC=+.025%	28480	1902-0950

† Refer to Section 7 for update information.

* Factory Selected Component (Refer to Section 5.)

Table 6-3. Replaceable Parts

Reference Designation	HP Part Number	C D	Qty.	Description	Mfr. Code	Mfr. Part Number
<p>A4A2</p> <p>NOTE The A4A2 Assembly and its sub-assemblies are not recommended for field repair.</p>						
2234A TO 2245A A4A2 †	08663-60316	0	2	DOUBLER #2 ASSEMBLY	28480	08663-60316
2246A AND ABOVE A4A2	08663-60351	3	1	DOUBLER #2 ASSEMBLY	28480	08663-60351
A4A2	08663-60100	0		DOUBLER #2 ASSEMBLY (RESTORED)	28480	08663-60100
A4A2C1	0160-4387	4	15	CAPACITOR-FXD 47PF +-5% 200VDC CER 0+-30	28480	0160-4387
A4A2C2	0160-4387	4		CAPACITOR-FXD 47PF +-5% 200VDC CER 0+-30	28480	0160-4387
A4A2C3	0160-4387	4		CAPACITOR-FXD 47PF +-5% 200VDC CER 0+-30	28480	0160-4387
A4A2C4	0160-4387	4		CAPACITOR-FXD 47PF +-5% 200VDC CER 0+-30	28480	0160-4387
A4A2C5	0160-4387	4		CAPACITOR-FXD 47PF +-5% 200VDC CER 0+-30	28480	0160-4387
A4A2C6	0160-4387	4		CAPACITOR-FXD 47PF +-5% 200VDC CER 0+-30	28480	0160-4387
A4A2C7	0160-3875	3		CAPACITOR-FXD 22PF +-5% 200VDC CER 0+-30	28480	0160-3875
A4A2C8	0160-4387	4		CAPACITOR-FXD 47PF +-5% 200VDC CER 0+-30	28480	0160-4387
A4A2C9	0160-4387	4		CAPACITOR-FXD 47PF +-5% 200VDC CER 0+-30	28480	0160-4387
A4A2C10	0160-4387	4		CAPACITOR-FXD 47PF +-5% 200VDC CER 0+-30	28480	0160-4387
A4A2C11	0160-4387	4		CAPACITOR-FXD 47PF +-5% 200VDC CER 0+-30	28480	0160-4387
A4A2C12	0160-4387	4		CAPACITOR-FXD 47PF +-5% 200VDC CER 0+-30	28480	0160-4387
A4A2C13	0160-4387	4		CAPACITOR-FXD 47PF +-5% 200VDC CER 0+-30	28480	0160-4387
A4A2C14	0160-4387	4		CAPACITOR-FXD 47PF +-5% 200VDC CER 0+-30	28480	0160-4387
A4A2C15	0160-4387	4		CAPACITOR-FXD 47PF +-5% 200VDC CER 0+-30	28480	0160-4387
A4A2C16	0160-4387	4		CAPACITOR-FXD 47PF +-5% 200VDC CER 0+-30	28480	0160-4387
A4A2C17	0180-0116	1	3	CAPACITOR-FXD 6.8UF+-10% 35VDC TA	56289	150D885X9035B2
A4A2C18	0180-1746	5		CAPACITOR-FXD 15UF+-10% 20VDC TA	56289	150D156X9020B2
A4A2C19	0180-1746	5		CAPACITOR-FXD 15UF+-10% 20VDC TA	56289	150D156X9020B2
A4A2C20	0160-4801	7	1	CAPACITOR-FXD 100PF +-5% 100VDC CER	28480	0160-4801
A4A2C21	0180-0116	1		CAPACITOR-FXD 6.8UF+-10% 35VDC TA	56289	150D885X9035B2
A4A2C22	0180-2620	6		CAPACITOR-FXD 2.2UF+-10% 50VDC TA	25088	D2R2GS1B50K
A4A2C23	0180-1745	4	3	CAPACITOR-FXD 1.5UF+-10% 20VDC TA	56289	150D155X9020A2
A4A2C24	0180-1745	4		CAPACITOR-FXD 1.5UF+-10% 20VDC TA	56289	150D155X9020A2
A4A2C25	0180-0116	1		CAPACITOR-FXD 6.8UF+-10% 35VDC TA	56289	150D885X9035B2
A4A2C26	0180-0197	8		CAPACITOR-FXD 2.2UF+-10% 20VDC TA	56289	150D225X9020A2
A4A2C27	0180-1745	4		CAPACITOR-FXD 1.5UF+-10% 20VDC TA	56289	150D155X9020A2
A4A2C28	0180-0553	0	1	CAPACITOR-FXD 22UF+-20% 25VDC TA	28480	0180-0553
A4A2C29	0160-4814	2	1	CAPACITOR-FXD 150PF +-5% 100VDC CER	28480	0160-4814
A4A2CR1	1901-0050	3		DIODE-SWITCHING 80V 200MA 2NS DO-35	28480	1901-0050
A4A2CR2	1901-0050	3		DIODE-SWITCHING 80V 200MA 2NS DO-35	28480	1901-0050
A4A2CR3	1901-0050	3		DIODE-SWITCHING 80V 200MA 2NS DO-35	28480	1901-0050
A4A2CR4	1901-0518	8		DIODE-SM SIG SCHOTTKY	28480	1901-0518
A4A2L1	9100-3922	4		INDUCTOR-FIXED 120-1300 HZ	28480	9100-3922
A4A2L2	9100-3922	4		INDUCTOR-FIXED 120-1300 HZ	28480	9100-3922
A4A2L3	9100-3922	4		INDUCTOR-FIXED 120-1300 HZ	28480	9100-3922
A4A2L4	9100-3922	4		INDUCTOR-FIXED 120-1300 HZ	28480	9100-3922
A4A2L5	9100-3922	4		INDUCTOR-FIXED 120-1300 HZ	28480	9100-3922
A4A2L6	9100-3922	4		INDUCTOR-FIXED 120-1300 HZ	28480	9100-3922
A4A2L7	9100-3922	4		INDUCTOR-FIXED 120-1300 HZ	28480	9100-3922

† Refer to Section 7 for update information.

* Factory Selected Component (Refer to Section 5.)

Table 6-3. Replaceable Parts

Reference Designation	HP Part Number	C D	Qty.	Description	Mfr. Code	Mfr. Part Number
A4A2MP1	08663-00047	8	1	CVR FULL *2 DBLR	28480	08663-00047
	08663-00064	9	1	GSKT FL *2 DBLR	28480	08663-00064
	2200-0105	4	1	SCREW-MACH 4-40 .312-IN-LG PAN-HD-POZI	00000	ORDER BY DESCRIPTION
A4A2MP2	5001-0176	0		28480	5001-0176	
A4A2MP3	5001-0176	0		28480	5001-0176	
A4A2MP4	08662-20285	7	1	CONTACT-FINGER	28480	08662-20285
A4A2Q2	1853-0459	3		TRANSISTOR PNP SI PD=625MW FT=200MHZ	28480	1853-0459
A4A2Q3	1854-0810	2		TRANSISTOR NPN SI PD=625MW FT=200MHZ	28480	1854-0810
A4A2Q4	1854-0837	1		TRANSISTOR NPN 2N2219A SI TO-5 PD=600MW	01295	2N2219A
A4A2Q5	1200-0173	5	1	INSULATOR-XSTR DAP-GL	28480	1200-0173
	1205-0011	0		HEAT SINK TO-5/TO-39-CS	28480	1205-0011
A4A2Q6	1853-0459	3		TRANSISTOR PNP SI PD=625MW FT=200MHZ	28480	1853-0459
A4A2Q8	1853-0459	3		TRANSISTOR PNP SI PD=625MW FT=200MHZ	28480	1853-0459
A4A2R1	0698-7232	3		RESISTOR 681 1% .05W F TC=0+-100	24546	C3-1/8-TO-681R-F
A4A2R2	0698-7232	3		RESISTOR 681 1% .05W F TC=0+-100	24546	C3-1/8-TO-681R-F
A4A2R3	0698-7232	3		RESISTOR 681 1% .05W F TC=0+-100	24546	C3-1/8-TO-681R-F
A4A2R4	0698-7232	3		RESISTOR 681 1% .05W F TC=0+-100	24546	C3-1/8-TO-681R-F
A4A2R5	0698-7232	3		RESISTOR 681 1% .05W F TC=0+-100	24546	C3-1/8-TO-681R-F
A4A2R6	0698-7232	3		RESISTOR 681 1% .05W F TC=0+-100	24546	C3-1/8-TO-681R-F
A4A2R7	0698-7232	3		RESISTOR 681 1% .05W F TC=0+-100	24546	C3-1/8-TO-681R-F
A4A2R8	0698-7232	3		RESISTOR 681 1% .05W F TC=0+-100	24546	C3-1/8-TO-681R-F
A4A2R9	0698-7232	3		RESISTOR 681 1% .05W F TC=0+-100	24546	C3-1/8-TO-681R-F
A4A2R10	0757-0288	1	1	RESISTOR 9.09K 1% .125W F TC=0+-100	19701	MF4C1/8-TO-9091-F
A4A2R11	0757-0442	9		RESISTOR 10K 1% .125W F TC=0+-100	24546	C4-1/8-TO-1002-F
A4A2R12	0757-0290	5		RESISTOR 6.19K 1% .125W F TC=0+-100	19701	MF4C1/8-TO-6191-F
A4A2R13	2100-3273	1	1	RESISTOR-TRMR 2K 10% C SIDE-ADJ 1-TRN	28480	2100-3273
A4A2R14	0757-0444	1	1	RESISTOR 12.1K 1% .125W F TC=0+-100	24546	C4-1/8-TO-1212-F
A4A2R15	0757-0416	7		RESISTOR 511 1% .125W F TC=0+-100	24546	C4-1/8-TO-511R-F
A4A2R16	0757-0280	3		RESISTOR 1K 1% .125W F TC=0+-100	24546	C4-1/8-TO-1001-F
A4A2R17	0757-0280	3		RESISTOR 1K 1% .125W F TC=0+-100	24546	C4-1/8-TO-1001-F
A4A2R19	0757-0440	7		RESISTOR 7.5K 1% .125W F TC=0+-100	24546	C4-1/8-TO-7501-F
A4A2R20	0698-3398	4	2	RESISTOR 46.4 1% .5W F TC=0+-100	28480	0698-3398
A4A2R21	0698-0024	7	1	RESISTOR 2.61K 1% .5W F TC=0+-100	28480	0698-0024
A4A2R22	0698-3398	4		RESISTOR 46.4 1% .5W F TC=0+-100	28480	0698-3398
A4A2R23	0757-0159	5	1	RESISTOR 1K 1% .5W F TC=0+-100	28480	0757-0159
A4A2R24	0757-0416	7		RESISTOR 511 1% .125W F TC=0+-100	24546	C4-1/8-TO-511R-F
A4A2R25	0757-0420	3		RESISTOR 750 1% .125W F TC=0+-100	24546	C4-1/8-TO-751-F
2234A to 2837A A4A2R26	2100-3103	6		RESISTOR-TRMR 10K 10% C SIDE-ADJ 17-TRN	02111	43P103
2840A and above A4A2R26	2100-3161	6	1	RESISTOR-TRMR 20K 10% C SIDE-ADJ 17-TRN	02111	43P203
A4A2R27	2100-3103	6		RESISTOR-TRMR 10K 10% C SIDE-ADJ 17-TRN	02111	43P103
2234A to 2837A A4A2R28	0698-3153	9		RESISTOR 3.83K 1% .125W F TC=0+-100	24546	C4-1/8-TO-3831-F
2840A and above A4A2R28	0757-0289	2		RESISTOR 13.3K 1% .125W F TC=0+-100	19701	MF4C-1/8-TO-1332-F
A4A2R29	0698-3153	9		RESISTOR 3.83K 1% .125W F TC=0+-100	24546	C4-1/8-TO-3831-F
A4A2R30	2100-3162	7	2	RESISTOR-TRMR 200K 10% C SIDE-ADJ 17-TRN	02111	43P204
A4A2R31	0698-3160	6		RESISTOR 31.6K 1% .125W F TC=0+-100	24546	C4-1/8-TO-3162-F
A4A2R32	2100-3162	7		RESISTOR-TRMR 200K 10% C SIDE-ADJ 17-TRN	02111	43P204
2234A to 2837A A4A2R33	0757-0458	7		RESISTOR 51.1K 1% .125W F TC=0+-100	24546	C4-1/8-TO-5112-F
2840A and above A4A2R33	0698-3450	9	1	RESISTOR 42.2K 1% .125W F TC=0+-100	24546	C4-1/8-TO-4222-F
A4A2R34	0757-0442	9		RESISTOR 10K 1% .125W F TC=0+-100	24546	C4-1/8-TO-1002-F
A4A2R35	0757-0421	4		RESISTOR 825 1% .125W F TC=0+-100	24546	C4-1/8-TO-825R-F
A4A2R36	2100-3352	7	2	RESISTOR-TRMR 1K 10% C TOP-ADJ 1-TRN	28480	2100-3332
A4A2R37	0757-0458	7		RESISTOR 51.1K 1% .125W F TC=0+-100	24546	C4-1/8-TO-5112-F

†Refer to Section 7 for update information.

*Factory Selected Component (Refer to Section 5).

Table 6-3. Replaceable Parts

Reference Designation	HP Part Number	C D	Qty.	Description	Mfr. Code	Mfr. Part Number
2234A to 2837A A4A2R38 2840A and above A4A2R38	0757-0442 0698-3136	9 8		RESISTOR 10K 1% .125W F TC=0+-100 RESISTOR 17.8K 1% .125W F TC=0+-100	24546 24546	C4-1/8-T0-1002-F C4-1/8-T0-1782-F
A4A2R39 A4A2R40 A4A2R41 A4A2R42	0698-8812 0757-0280 0698-8812 0757-0458	7 3 7 7	3	RESISTOR 1 1% .125W F TC=0+-100 RESISTOR 1K 1% .125W F TC=0+-100 RESISTOR 1 1% .125W F TC=0+-100 RESISTOR 51.1K 1% .125W F TC=0+-100	28480 24546 28480 24546	0698-8812 C4-1/8-T0-1001-F 0698-8812 C4-1/8-T0-5112-F
A4A2R43 A4A2R44 A4A2R45 A4A2R46 A4A2R47	0757-0442 0757-0442 0757-0289 0757-0421 2100-3352	9 9 2 4 7	1	RESISTOR 10K 1% .125W F TC=0+-100 RESISTOR 10K 1% .125W F TC=0+-100 RESISTOR 13.3K 1% .125W F TC=0+-100 RESISTOR 825 1% .125W F TC=0+-100 RESISTOR-TRMR 1K 10% C TOP-ADJ 1-TRN	24546 24546 19701 24546 28480	C4-1/8-T0-1002-F C4-1/8-T0-1002-F MF4C1/8-T0-1332-F C4-1/8-T0-825R-F 2100-3232
A4A2R48 A4A2R49 A4A2R50 A4A2R51 A4A2R52	0757-0458 0698-8812 0757-0442 0757-0418 0757-0428	7 7 9 9 1		RESISTOR 51.1K 1% .125W F TC=0+-100 RESISTOR 1 1% .125W F TC=0+-100 RESISTOR 10K 1% .125W F TC=0+-100 RESISTOR 619 1% .125W F TC=0+-100 RESISTOR 1.62K 1% .125W F TC=0+-100	24546 28480 24546 24546 24546	C4-1/8-T0-5112-F 0698-8812 C4-1/8-T0-1002-F C4-1/8-T0-819R-F C4-1/8-T0-1621-F
A4A2TP1 A4A2TP2 A4A2TP3 A4A2TP4 A4A2TP5	1251-0600 1251-0600 1251-0600 1251-0600 1251-0600	0 0 0 0 0		CONNECTOR-SGL CONT PIN 1.14-MM-BSC-SZ SQ CONNECTOR-SGL CONT PIN 1.14-MM-BSC-SZ SQ CONNECTOR-SGL CONT PIN 1.14-MM-BSC-SZ SQ CONNECTOR-SGL CONT PIN 1.14-MM-BSC-SZ SQ CONNECTOR-SGL CONT PIN 1.14-MM-BSC-SZ SQ	28480 28480 28480 28480 28480	1251-0600 1251-0600 1251-0600 1251-0600 1251-0600
A4A2TP6 A4A2TP7 A4A2TP8 A4A2TP9 A4A2TP10	1251-0600 1251-0600 1251-0600 1251-0600 1251-0600	0 0 0 0 0		CONNECTOR-SGL CONT PIN 1.14-MM-BSC-SZ SQ NOT ASSIGNED CONNECTOR-SGL CONT PIN 1.14-MM-BSC-SZ SQ CONNECTOR-SGL CONT PIN 1.14-MM-BSC-SZ SQ CONNECTOR-SGL CONT PIN 1.14-MM-BSC-SZ SQ	28480 28480 28480 28480	1251-0600 1251-0600 1251-0600 1251-0600
A4A2TP11 A4A2TP12 A4A2TP13	1251-0600 1251-0600 1251-0600	0 0 0		CONNECTOR-SGL CONT PIN 1.14-MM-BSC-SZ SQ CONNECTOR-SGL CONT PIN 1.14-MM-BSC-SZ SQ CONNECTOR-SGL CONT PIN 1.14-MM-BSC-SZ SQ	28480 28480 28480	1251-0600 1251-0600 1251-0600
A4A2U1 A4A2U2 A4A2U3 A4A2U4	1826-0785 1816-1008 1200-0639	1 2 8	1	NOT ASSIGNED IC OP AMP LOW-BIAS-H-IMPED DUAL 8-DIP-C NOT FIELD REPLACEABLE IC TTL S 4096 (4K) PROM 75-NS 3-S	01295 01295	TL072ACJG TBP28S42J
A4A2U5 A4A2U6	1826-0921 1820-0471	7 0	1	SOCKET-IC 20-CONT DIP DIP-SLDR D/A 10-BIT 16-CBRZ/SDR CMOS IC INV TTL HEX 1-INP	28480 01295	1200-0639 1826-0921 SN7406N
A4A2U7	1826-0753	3		IC OP AMP LOW-BIAS-H-IMPED QUAD 14-DIP-C	04713	MC34004BL
A4A2VR1 A4A2VR2 A4A2VR3 A4A2VR4 A4A2VR5 A4A2VR6	1902-0961 1902-0962 1902-0951 1902-0951 1902-0951 1902-0960	7 8 5 5 5 6	1	DIODE-ZNR 13V 5% DO-35 PD=.4W TC=+.082% DIODE-ZNR 15V 5% DO-35 PD=.4W TC=+.087% DIODE-ZNR 5.1V 5% DO-35 PD=.4W TC=+.035% DIODE-ZNR 5.1V 5% DO-35 PD=.4W TC=+.035% DIODE-ZNR 5.1V 5% DO-35 PD=.4W TC=+.035% DIODE-ZNR 12V 5% DO-35 PD=.4W TC=+.077%	28480 28480 28480 28480 28480 28480	1902-0961 1902-0962 1902-0951 1902-0951 1902-0951 1902-0960
A4A2W1	08663-20033	4	1	CBL AY 'T'	28480	08663-20033

†Refer to Section 7 for update information.

*Factory Selected Component (Refer to Section 5).

Table 6-3. Replaceable Parts

Reference Designation	HP Part Number	C D	Qty.	Description	Mfr. Code	Mfr. Part Number
A4A2A1						
NOTE <i>The A4A2 Assembly and its sub-assemblies are not recommended for field repair.</i>						
A4A2A1	08663-60034	9	1	INTERNAL DOUBLER ASSEMBLY	28480	08663-60034
A4A2A1A1	08663-60317	1	1	INTERNAL DOUBLER BOARD ASSEMBLY	28480	08663-60317
A4A2A1C1	0160-4306	7	2	CAPACITOR-FXD 100PF +-10% 100VDC CER	51959	0805C101K3P
A4A2A1C2	0160-0576	5		CAPACITOR-FXD .1UF +-20% 50VDC CER	28480	0160-0576
A4A2A1C3	0121-0448	8	1	CAPACITOR-V TRMR-CER 2.5-5PF 63V PC-MTG	28480	0121-0448
A4A2A1C4	0160-4303	4	1	CAPACITOR-FXD .027UF +-10% 50VDC CER	26654	3BX50S273K
A4A2A1C5	0160-4306	7		CAPACITOR-FXD 100PF +-10% 100VDC CER	51959	0805C101K3P
A4A2A1C6	0160-4226	0	1	CAPACITOR-FXD 2.2PF +-25PF 100VDC CER	26654	2BN100S2R2C(D)
A4A2A1CR1	1901-1096	9	4	DIODE-PIN	28480	1901-1096
A4A2A1CR2	1901-1096	9		DIODE-PIN	28480	1901-1096
A4A2A1CR3	1901-1096	9		DIODE-PIN	28480	1901-1096
A4A2A1CR4	1906-0244	7	1	DIODE-FW BRDG 2V	17540	D5948
A4A2A1CR5	1901-1096	9		DIODE-PIN	28480	1901-1096
A4A2A1E1	9170-0029	3		CORE-SHIELDING BEAD	28480	9170-0029
A4A2A1E2	9170-0029	3		CORE-SHIELDING BEAD	28480	9170-0029
A4A2A1E3	9170-0029	3		CORE-SHIELDING BEAD	28480	9170-0029
A4A2A1E4	9170-0029	3		CORE-SHIELDING BEAD	28480	9170-0029
A4A2A1E5	9170-0029	3		CORE-SHIELDING BEAD	28480	9170-0029
A4A2A1E6	9170-0029	3		CORE-SHIELDING BEAD	28480	9170-0029
A4A2A1FL1	9135-0002	8	3	FILTER-LOW PASS SOLDER-TERMS	33095	51-744-018
A4A2A1FL2	9135-0002	8		FILTER-LOW PASS SOLDER-TERMS	33095	51-744-018
A4A2A1FL3	9135-0002	8		FILTER-LOW PASS SOLDER-TERMS	33095	51-744-018
A4A2A1J1	1250-0829	3	1	CONNECTOR-RF SMC M SGL-HOLE-FR 50-OHM	28480	1250-0829
	2190-0124	4		WASHER-LK INTL T NO. 10 .195-IN-ID	28480	2190-0124
A4A2A1J2	1250-1157	2	2	CONNECTOR-RF SMA FEM THD-HOLE 50-OHM	28480	1250-1157
A4A2A1J3	1250-1157	2		CONNECTOR-RF SMA FEM THD-HOLE 50-OHM	28480	1250-1157
A4A2A1L1	8151-0013	4	1	WIRE 22AWG 1X22	28480	8151-0013
A4A2A1L2	9100-3922	4		INDUCTOR-FIXED 120-1300 HZ	28480	9100-3922
A4A2A1L3	9100-3922	4		INDUCTOR-FIXED 120-1300 HZ	28480	9100-3922
A4A2A1L4	8180-2136	7	1	WIRE-MAG RND 36-AWG 130C CU	28480	8180-2136
A4A2A1L5	9100-3922	4		INDUCTOR-FIXED 120-1300 HZ	28480	9100-3922
A4A2A1MP1	08663-20020	9	1	HSG-INT DBLR	28480	08663-20020
	2200-0101	0	1	SCREW-MACH 4-40 .188-IN-LG PAN-HD-POZI	00000	ORDER BY DESCRIPTION
	2200-0165	6	2	ATTACH BOARD TO HOUSING SCREW-MACH 4-40 .25-IN-LG 82 DEG	00000	ORDER BY DESCRIPTION
A4A2A1MP2	08663-20021	0	1	CVR-INT DBLR	28480	08663-20021
	2200-0165	6		SCREW-MACH 4-40 .25-IN-LG 82 DEG	00000	ORDER BY DESCRIPTION
A4A2A1Q1	1853-0459	3		TRANSISTOR PNP SI PD=625MW FT=200MHZ	28480	1853-0459
A4A2A1R1	0699-7236	7		RESISTOR 1K 1% .05W F TC=0+-100	24546	C3-1/8-T0-1001-F
A4A2A1R2	0699-3440	7		RESISTOR 196 1% .125W F TC=0+-100	24546	C4-1/8-T0-196R-F
A4A2A1R3	0699-0180	8		RESISTOR 150 5% .1W C TC=0+-200	26654	3C151J
A4A2A1R4*	0699-0180	8	2	RESISTOR 150 5% .1W C TC=0+-200	26654	3C151J
A4A2A1R5*	0699-0179	5	1	RESISTOR 37.3 5% .1W C TC=0+-200	28480	0699-0179
A4A2A1R6	0699-0184	2	2	RESISTOR 870 5% .1W C TC=0+-200	28480	0699-0184
A4A2A1R7	0699-0157	9	1	RESISTOR 12 5% .1W C TC=0+-200	26654	3C120J
A4A2A1R8	0699-0184	2		RESISTOR 870 5% .1W C TC=0+-200	28480	0699-0184
A4A2A1U1	08663-67003	6	1	AMP-MICROWAVE	28480	08663-67003
	0520-0127	6	1	SCREW-MACH 2-56 .188-IN-LG PAN-HD-POZI	00000	ORDER BY DESCRIPTION
A4A2A1W1	8120-1371	4	1	CABLE-COAX 50.2-OHM 29PF/FT	28480	8120-1371

† Refer to Section 7 for update information.

* Factory Selected Component (Refer to Section 5.)

Table 6-3. Replaceable Parts

Reference Designation	HP Part Number	C D	Qty.	Description	Mfr. Code	Mfr. Part Number
A4A3						
2234A TO 2449A						
A4A3 †	09663-60346	6	1	DISTRIBUTOR ASSY (STANDARD & OPTION 001)	26480	09663-60346
A4A3 †	09663-60304	6	1	DISTRIBUTOR ASSEMBLY (OPTION 002 ONLY)	26480	09663-60304
2451A AND ABOVE						
A4A3	09663-60362	6	1	DISTRIBUTOR ASSY (STANDARD & OPTION 001)	26480	09663-60362
A4A3	09663-60361	5	1	DISTRIBUTOR ASSY (OPTION 002 ONLY)	26480	09663-60361
A4A3C1	0180-2619	3	1	CAPACITOR-FXD 22UF+-10% 15VDC TA	25088	D22GS1B15K
A4A3C2	0180-2618	2	2	CAPACITOR-FXD 33UF+-10% 10VDC TA	25088	D33GS1B10K
A4A3C3	0180-3874	2	9	CAPACITOR-FXD 10PF +-5PF 200VDC CER	26480	0180-3874
A4A3C4	0180-2618	2		CAPACITOR-FXD 33UF+-10% 10VDC TA	25088	D33GS1B10K
2234A TO 2449A						
A4A3C5	0180-2208	6	1	CAPACITOR-FXD 220UF+-10% 10VDC TA	56289	150D227X9010S2
2451A AND ABOVE						
A4A3C5	0180-2506	7	1	CAPACITOR-FXD 470UF+-50-10% 25VDC AL	29480	0180-2506
A4A3C6	0160-3877	5	3	CAPACITOR-FXD 100PF +-20% 200VDC CER	26480	0160-3877
A4A3C7	0160-3879	7	2	CAPACITOR-FXD .01UF +-20% 100VDC CER	26480	0160-3879
2234A TO 2449A						
A4A3C8	0160-3878	6	9	CAPACITOR-FXD 1000PF +-20% 100VDC CER	26480	0160-3878
2451A AND ABOVE						
A4A3C8	0160-0571	0	26	CAPACITOR-FXD 470PF +-20% 100VDC CER	26480	0160-0571
A4A3C9	0160-0571	0		CAPACITOR-FXD 470PF +-20% 100VDC CER	26480	0160-0571
A4A3C10	0160-0571	0		CAPACITOR-FXD 470PF +-20% 100VDC CER	26480	0160-0571
A4A3C11	0160-0571	0		CAPACITOR-FXD 470PF +-20% 100VDC CER	26480	0160-0571
A4A3C12	0180-3874	2		CAPACITOR-FXD 10PF +-5PF 200VDC CER	26480	0160-3874
A4A3C13	0180-3874	2		CAPACITOR-FXD 10PF +-5PF 200VDC CER	26480	0160-3874
A4A3C14	0160-0571	0		CAPACITOR-FXD 470PF +-20% 100VDC CER	26480	0160-0571
2234A TO 2449A						
A4A3C15	0160-3879	7		CAPACITOR-FXD .01UF +-20% 100VDC CER	26480	0160-3879
2451A AND ABOVE						
A4A3C15	0160-0571	0		CAPACITOR-FXD 470PF +-20% 100VDC CER	26480	0160-0571
A4A3C16	0160-3874	2		CAPACITOR-FXD 10PF +-5PF 200VDC CER	26480	0160-3874
A4A3C17	0160-0571	0		CAPACITOR-FXD 470PF +-20% 100VDC CER	26480	0160-0571
A4A3C18	0160-0571	0		CAPACITOR-FXD 470PF +-20% 100VDC CER	26480	0160-0571
A4A3C19	0160-0571	0		CAPACITOR-FXD 470PF +-20% 100VDC CER	26480	0160-0571
A4A3C20	0180-3877	5		CAPACITOR-FXD 100PF +-20% 200VDC CER	26480	0160-3877
A4A3C21	0160-0571	0		CAPACITOR-FXD 470PF +-20% 100VDC CER	26480	0160-0571
A4A3C22	0160-3877	5		CAPACITOR-FXD 100PF +-20% 200VDC CER	26480	0160-3877
A4A3C23	0160-0571	0		CAPACITOR-FXD 470PF +-20% 100VDC CER	26480	0160-0571
A4A3C24	0160-0571	0		CAPACITOR-FXD 470PF +-20% 100VDC CER	26480	0160-0571
A4A3C25	0160-0571	0		CAPACITOR-FXD 470PF +-20% 100VDC CER	26480	0160-0571
A4A3C26	0160-0571	0		CAPACITOR-FXD 470PF +-20% 100VDC CER	26480	0160-0571
A4A3C27	0160-0571	0		CAPACITOR-FXD 470PF +-20% 100VDC CER	26480	0160-0571
A4A3C28	0160-3874	2		CAPACITOR-FXD 10PF +-5PF 200VDC CER	26480	0160-3874
A4A3C29	0160-3874	2		CAPACITOR-FXD 10PF +-5PF 200VDC CER	26480	0160-3874
A4A3C30	0160-0571	0		CAPACITOR-FXD 470PF +-20% 100VDC CER	26480	0160-0571
A4A3C31	0160-0571	0		CAPACITOR-FXD 470PF +-20% 100VDC CER	26480	0160-0571
A4A3C32	0160-0571	0		CAPACITOR-FXD 470PF +-20% 100VDC CER	26480	0160-0571
A4A3C33	0160-0571	0		CAPACITOR-FXD 470PF +-20% 100VDC CER	26480	0160-0571
A4A3C34	0160-3878	6		CAPACITOR-FXD 1000PF +-20% 100VDC CER	26480	0160-3878
A4A3C35	0180-3878	6		CAPACITOR-FXD 1000PF +-20% 100VDC CER	26480	0160-3878
A4A3C36	0160-3878	6		CAPACITOR-FXD 1000PF +-20% 100VDC CER	26480	0160-3878
A4A3C37	0160-3878	6		CAPACITOR-FXD 1000PF +-20% 100VDC CER	26480	0160-3878
A4A3C38	0180-3878	6		CAPACITOR-FXD 1000PF +-20% 100VDC CER	26480	0160-3878
A4A3C39	0180-2617	1	1	CAPACITOR-FXD 8.8UF+-10% 35VDC TA	25088	D6R9GS1B35K
A4A3C40	0160-3878	6		CAPACITOR-FXD 1000PF +-20% 100VDC CER	26480	0160-3878
A4A3C41	0160-0571	0		CAPACITOR-FXD 470PF +-20% 100VDC CER	26480	0160-0571
A4A3C42	0121-0449	9	2	CAPACITOR-V TRMR-CER 3.0-10PF 63V PC-MTG	26480	0121-0449

† Refer to Section 7 for update information.

* Factory Selected Component (Refer to Section 5.)

Table 6-3. Replaceable Parts

Reference Designation	HP Part Number	C D	Qty.	Description	Mfr. Code	Mfr. Part Number
A4A3C43	0121-0061	1	2	CAPACITOR-V TRMR-CER 5.5-18PF 350V	52763	304322 5.5/18PF NPO
A4A3C44	0160-4519	4	2	CAPACITOR-FXD 9.1PF +-5PF 200VDC CER	28480	0160-4519
A4A3C45	0160-4767	4	2	CAPACITOR-FXD 20PF +-5% 200VDC CER 0+-30	28480	0160-4767
A4A3C46	0160-4519	4		CAPACITOR-FXD 9.1PF +-5PF 200VDC CER	28480	0160-4519
A4A3C47	0160-4767	4		CAPACITOR-FXD 20PF +-5% 200VDC CER 0+-30	28480	0160-4767
A4A3C48	0121-0449	9		CAPACITOR-V TRMR-CER 3.5-10PF 63V PC-MTG	28480	0121-0449
A4A3C49	0121-0061	1		CAPACITOR-V TRMR-CER 5.5-18PF 350V	52763	304322 5.5/18PF NPO
A4A3C50	0160-0571	0		CAPACITOR-FXD 470PF +-20% 100VDC CER	28480	0160-0571
A4A3C51	0160-3878	6		CAPACITOR-FXD 1000PF +-20% 100VDC CER	28480	0160-3878
A4A3C52	0160-0571	0		CAPACITOR-FXD 470PF +-20% 100VDC CER	28480	0160-0571
A4A3C53	0160-0571	0		CAPACITOR-FXD 470PF +-20% 100VDC CER	28480	0160-0571
A4A3C54	0160-3874	2		CAPACITOR-FXD 10PF +-5PF 200VDC CER	28480	0160-3874
A4A3C55	0160-0578	5	1	CAPACITOR-FXD .1UF +-20% 50VDC CER	28480	0160-0578
A4A3C56	0160-0571	0		CAPACITOR-FXD 470PF +-20% 100VDC CER	28480	0160-0571
A4A3C57	0160-0197	8	1	CAPACITOR-FXD 2.2UF+-10% 20VDC TA	56289	150D225X9020A2
A4A3C58	0160-3878	6		CAPACITOR-FXD 1000PF +-20% 100VDC CER	28480	0160-3878
A4A3C59	0160-0116	1	1	CAPACITOR-FXD 6.8UF+-10% 35VDC TA	56289	150D685X9035B2
A4A3C60	0160-0571	0		CAPACITOR-FXD 470PF +-20% 100VDC CER	28480	0160-0571
A4A3C61	0160-0571	0		CAPACITOR-FXD 470PF +-20% 100VDC CER	28480	0160-0571
A4A3C62	0160-4389	6	3	CAPACITOR-FXD 100PF +-5PF 200VDC CER	28480	0160-4389
A4A3C63	0160-4389	6		CAPACITOR-FXD 100PF +-5PF 200VDC CER	28480	0160-4389
A4A3C64	0160-3874	2		CAPACITOR-FXD 10PF +-5PF 200VDC CER	28480	0160-3874
2330A TO 2350A A4A3C65				NOT ASSIGNED		
2401A TO 2449A A4A3C65	0160-4389	6		CAPACITOR-FXD 100PF +-5PF 200VDC CER	28480	0160-4389
2451A AND ABOVE A4A3C65	0160-3874	2		CAPACITOR-FXD 10PF +-5PF 200VDC CER	28480	0160-3874
A4A3CR1	1901-1096	9	12	DIODE-PIN	28480	1901-1096
A4A3CR2	1901-1096	9		DIODE-PIN	28480	1901-1096
A4A3CR3	1901-1096	9		DIODE-PIN	28480	1901-1096
A4A3CR4	1901-1096	9		DIODE-PIN	28480	1901-1096
A4A3CR5	1901-1096	9		DIODE-PIN	28480	1901-1096
A4A3CR6	1901-1096	9		DIODE-PIN	28480	1901-1096
A4A3CR7	1901-1096	9		DIODE-PIN	28480	1901-1096
A4A3CR8	1901-1096	9		DIODE-PIN	28480	1901-1096
A4A3CR9	1901-1096	9		DIODE-PIN	28480	1901-1096
A4A3CR10	1901-1096	9		DIODE-PIN	28480	1901-1096
A4A3CR11	1901-1096	9		DIODE-PIN	28480	1901-1096
A4A3CR12	1901-1096	9		DIODE-PIN	28480	1901-1096
A4A3E1	9170-0029	3	10	CORE-SHIELDING BEAD	28480	9170-0029
A4A3E2	9170-0029	3		CORE-SHIELDING BEAD	28480	9170-0029
A4A3E3	9170-0029	3		CORE-SHIELDING BEAD	28480	9170-0029
A4A3E4	9170-0029	3		CORE-SHIELDING BEAD	28480	9170-0029
A4A3E5	9170-0029	3		CORE-SHIELDING BEAD	28480	9170-0029
A4A3E6	9170-0029	3		CORE-SHIELDING BEAD	28480	9170-0029
A4A3E7	9170-0029	3		CORE-SHIELDING BEAD	28480	9170-0029
A4A3E8	9170-0029	3		CORE-SHIELDING BEAD	28480	9170-0029
A4A3E9	9170-0029	3		CORE-SHIELDING BEAD	28480	9170-0029
A4A3E10	9170-0029	3		CORE-SHIELDING BEAD	28480	9170-0029
A4A3J1	1250-1220	0	4	CONNECTOR-RF SMC M PC 50-OHM	28480	1250-1220
	2190-0124	4	4	WASHER-LK INTL T NO. 10 .195-IN-ID	28480	2190-0124
	2950-0078	9	4	NUT-HEX-DBL-CHAM 10-32-THD .067-IN-THK	28480	2950-0078
A4A3J2	1250-1220	0		CONNECTOR-RF SMC M PC 50-OHM	28480	1250-1220
	2190-0124	4		WASHER-LK INTL T NO. 10 .195-IN-ID	28480	2190-0124
	2950-0078	9		NUT-HEX-DBL-CHAM 10-32-THD .067-IN-THK	28480	2950-0078

† Refer to Section 7 for update information.

* Factory Selected Component (Refer to Section 5.)

Table 6-3. Replaceable Parts

Reference Designation	HP Part Number	C D	Qty.	Description	Mfr. Code	Mfr. Part Number
A4A3J3	1250-1220	0		CONNECTOR-RF SMC M PC 50-OHM	28480	1250-1220
	2190-0124	4		WASHER-LK INTL T NO. 10 .195-IN-ID	28480	2190-0124
	2950-0078	9		NUT-HEX-DBL-CHAM 10-32-THD .067-IN-THK	28480	2950-0078
A4A3J4	1250-1220	0		CONNECTOR-RF SMC M PC 50-OHM	28480	1250-1220
	2190-0124	4		WASHER-LK INTL T NO. 10 .195-IN-ID	28480	2190-0124
	2950-0078	9		NUT-HEX-DBL-CHAM 10-32-THD .067-IN-THK	28480	2950-0078
A4A3L1	9100-3922	4	28	INDUCTOR-FIXED 120-1300 HZ	28480	9100-3922
A4A3L2	9100-3922	4		INDUCTOR-FIXED 120-1300 HZ	28480	9100-3922
A4A3L3	9100-3922	4		INDUCTOR-FIXED 120-1300 HZ	28480	9100-3922
A4A3L4	08662-60318	9	1	INDUCTOR-FIXED 120-1300 HZ	28480	08662-60318
A4A3L5	9100-3922	4		INDUCTOR-FIXED 120-1300 HZ	28480	9100-3922
A4A3L6	9100-3922	4		INDUCTOR-FIXED 120-1300 HZ	28480	9100-3922
A4A3L7	9100-3922	4		INDUCTOR-FIXED 120-1300 HZ	28480	9100-3922
A4A3L8	9100-3922	4		INDUCTOR-FIXED 120-1300 HZ	28480	9100-3922
A4A3L9	9100-3922	4		INDUCTOR-FIXED 120-1300 HZ	28480	9100-3922
2234A TO 2449A A4A3L10	9100-3922	4		INDUCTOR-FIXED 120-1300 HZ	28480	9100-3922
2451A AND ABOVE A4A3L10	9100-1637	4	1	INDUCTOR RF-CH-MLD 120UH 5% .166DX.385LG	28480	9100-1637
A4A3L11	9100-3922	4		INDUCTOR-FIXED 120-1300 HZ	28480	9100-3922
A4A3L12	9135-0080	2	7	INDUCTOR RF-CH-MLD 27NH 5% .102DX.26LG	28480	9135-0080
A4A3L13	9100-3922	4		INDUCTOR-FIXED 120-1300 HZ	28480	9100-3922
A4A3L14	9100-3922	4		INDUCTOR-FIXED 120-1300 HZ	28480	9100-3922
A4A3L15	9100-3922	4		INDUCTOR-FIXED 120-1300 HZ	28480	9100-3922
A4A3L16	9100-3922	4		INDUCTOR-FIXED 120-1300 HZ	28480	9100-3922
A4A3L17	9100-3922	4		INDUCTOR-FIXED 120-1300 HZ	28480	9100-3922
A4A3L18	9100-3922	4		INDUCTOR-FIXED 120-1300 HZ	28480	9100-3922
A4A3L19	9100-3922	4		INDUCTOR-FIXED 120-1300 HZ	28480	9100-3922
A4A3L20	9100-3922	4		INDUCTOR-FIXED 120-1300 HZ	28480	9100-3922
A4A3L21	9100-3922	4		INDUCTOR-FIXED 120-1300 HZ	28480	9100-3922
A4A3L22	9100-3922	4		INDUCTOR-FIXED 120-1300 HZ	28480	9100-3922
A4A3L23	9135-0080	2		INDUCTOR RF-CH-MLD 27NH 5% .102DX.26LG	28480	9135-0080
A4A3L24	9135-0080	2		INDUCTOR RF-CH-MLD 27NH 5% .102DX.26LG	28480	9135-0080
A4A3L25	9135-0080	2		INDUCTOR RF-CH-MLD 27NH 5% .102DX.26LG	28480	9135-0080
A4A3L26	9135-0080	2		INDUCTOR RF-CH-MLD 27NH 5% .102DX.26LG	28480	9135-0080
A4A3L27	9135-0080	2		INDUCTOR RF-CH-MLD 27NH 5% .102DX.26LG	28480	9135-0080
A4A3L28	9135-0080	2		INDUCTOR RF-CH-MLD 27NH 5% .102DX.26LG	28480	9135-0080
A4A3L29	9100-3922	4		INDUCTOR-FIXED 120-1300 HZ	28480	9100-3922
A4A3L30	9100-3922	4		INDUCTOR-FIXED 120-1300 HZ	28480	9100-3922
A4A3L31	9140-0144	0	1	INDUCTOR RF-CH-MLD 4.7UH 10% .105DX.28LG	28480	9140-0144
A4A3L32	9100-3922	4		INDUCTOR-FIXED 120-1300 HZ	28480	9100-3922
A4A3L33	9100-3922	4		INDUCTOR-FIXED 120-1300 HZ	28480	9100-3922
A4A3L34	9100-3922	4		INDUCTOR-FIXED 120-1300 HZ	28480	9100-3922
A4A3L35	9100-3922	4		INDUCTOR-FIXED 120-1300 HZ	28480	9100-3922
A4A3L36	9100-3922	4		INDUCTOR-FIXED 120-1300 HZ	28480	9100-3922
A4A3L37	9100-3922	4		INDUCTOR-FIXED 120-1300 HZ	28480	9100-3922
A4A3MP1	08663-00048	7	1	COVER, DISTRIBUTOR	28480	08663-00078
				(STANDARD AND OPTION 001 ONLY)	28480	08663-00078
	2200-0103	2	1	SCREW-MACH 4-40 .25-IN-LG PAN-HD-POZI	28480	2200-0103
	2360-0113	2	1	SCREW-MACH 6-32 .25-IN-LG PAN-HD-POZI	00000	ORDER BY DESCRIPTION
A4A3MP1	08663-00078	5	1	COVER-FULL	28480	08663-00078
				(OPTION 002 ONLY)	28480	08663-00078
	2200-0103	2	1	SCREW-MACH 4-40 .25-IN-LG PAN-HD-POZI	28480	2200-0103
	2360-0113	2	1	SCREW-MACH 6-32 .25-IN-LG PAN-HD-POZI	00000	ORDER BY DESCRIPTION
A4A3MP2	5001-0176	0	2	GROUND STRAP	28480	5001-0176
A4A3MP3	5001-0176	0		GROUND STRAP	28480	5001-0176
A4A3MP4	08662-00041	1	1	SHIELD-COMPONENT-LARGE	28480	08662-00041
A4A3MP5	08662-00170	7	1	SHIELD-CIRCUIT	28480	08662-00170

† Refer to Section 7 for update information.

* Factory Selected Component (Refer to Section 5.)

Table 6-3. Replaceable Parts

Reference Designation	HP Part Number	C D	Qty.	Description	Mfr. Code	Mfr. Part Number
A4A3MP6	09663-00072	9	1	SHIELD "A" DIST	28480	08663-00072
A4A3Q1	1853-0405	9	5	TRANSISTOR PNP SI PD=300MW FT=850MHZ	04713	2N4209
A4A3Q2	1853-0458	3	2	TRANSISTOR PNP SI PD=625MW FT=200MHZ	28480	1853-0458
A4A3Q3	1853-0405	9		TRANSISTOR PNP SI PD=300MW FT=850MHZ	04713	2N4209
A4A3Q4	1854-0809	9	3	TRANSISTOR NPN 2N2369A SI TC=18 PD=360MW	28480	1854-0809
A4A3Q5	1853-0458	3		TRANSISTOR PNP SI PD=625MW FT=200MHZ	28480	1853-0458
A4A3Q6	1853-0405	9		TRANSISTOR PNP SI PD=300MW FT=850MHZ	04713	2N4209
A4A3Q7	1853-0405	9		TRANSISTOR PNP SI PD=300MW FT=850MHZ	04713	2N4209
A4A3Q8	1854-0809	9		TRANSISTOR NPN 2N2369A SI TC=18 PD=360MW	28480	1854-0809
A4A3Q9	1854-0809	9		TRANSISTOR NPN 2N2369A SI TC=18 PD=360MW	28480	1854-0809
A4A3Q10	1853-0281	9	1	TRANSISTOR PNP 2N2907A SI TC=18 PD=400MW	04713	2N2907A
A4A3Q11	1853-0405	9		TRANSISTOR PNP SI PD=300MW FT=850MHZ	04713	2N4209
A4A3R1	0698-7260	7	2	RESISTOR 10K 1% .05W F TC=0+-100	24546	C3-1/8-T0-1002-F
2234A TO 2449A AAA3R2	0698-8819	4	1	RESISTOR 3.83 1% .125W F TC=0+-100	28480	0698-8819
2451A AND ABOVE AAA3R2	0698-8812	7	1	RESISTOR 1 1% .125W F TC=0+-100	28480	0698-8812
A4A3R3	0698-7188	8	14	RESISTOR 10 1% .05W F TC=0+-100	24546	C3-1/8-T0-10R-F
A4A3R4	0698-7220	9	1	RESISTOR 215 1% .05W F TC=0+-100	24546	C3-1/8-T0-215R-F
A4A3R5	0698-3441	8	1	RESISTOR 215 1% .125W F TC=0+-100	24546	C4-1/8-T0-215R-F
A4A3R6	0698-7188	8		RESISTOR 10 1% .05W F TC=0+-100	24546	C3-1/8-T0-10R-F
A4A3R7	0698-7229	8	2	RESISTOR 511 1% .05W F TC=0+-100	24546	C3-1/8-T0-511R-F
2234A TO 2615A AAA3R8	0698-7205	0	9	RESISTOR 51.1 1% .05W F TC=0+-100	24546	C3-1/8-T0-511R-F
2628A AND ABOVE AAA3R8	0898-1903	5	4	RESISTOR 51.1 1% .05W F TC=0+-100	24546	C4-1/8-T0-511R-F
A4A3R9	0698-3437	2	7	RESISTOR 133 1% .125W F TC=0+-100	24546	C4-1/8-T0-133R-F
A4A3R10	0698-7246	9	3	RESISTOR 2.81K 1% .05W F TC=0+-100	24546	C3-1/8-T0-2811-F
2234A TO 2449A AAA3R11	0698-7212	9	2	RESISTOR 100 1% .05W F TC=0+-100	24546	C3-1/8-T0-100R-F
2451A AND ABOVE AAA3R11	0698-7223	2	2	RESISTOR 287 1% .05W F TC=0+-100	24546	C3-1/8-T0-287R-F
A4A3R12	0698-7231	2	2	RESISTOR 619 1% .05W F TC=0+-100	24546	C3-1/8-T0-619R-F
A4A3R13	0898-3437	2		RESISTOR 133 1% .125W F TC=0+-100	24546	C4-1/8-T0-133R-F
AAA3R14	0698-3447	4	3	RESISTOR 422 1% .125W F TC=0+-100	24546	C4-1/8-T0-422R-F
AAA3R15	0698-7188	8		RESISTOR 10 1% .05W F TC=0+-100	24546	C3-1/8-T0-10R-F
2234A TO 2449A AAA3R16	0698-7188	6		RESISTOR 10 1% .05W F TC=0+-100	24546	C3-1/8-T0-10R-F
AAA3R17	0698-7205	0		RESISTOR 51.1 1% .05W F TC=0+-100	24546	C3-1/8-T0-511R-F
2451A AND ABOVE AAA3R16	0698-3132	4	2	RESISTOR 251 1% .125W F TC=0+-100	24546	C4-1/8-T0-251R-F
AAA3R17	0698-7207	2	1	RESISTOR 61.9 1% .05W F TC=0+-100	24546	C3-1/8-T0-619R-F
A4A3R18	0698-7188	8		RESISTOR 10 1% .05W F TC=0+-100	24546	C3-1/8-T0-10R-F
2234A TO 2615A AAA3R19	0698-7205	0		RESISTOR 51.1 1% .05W F TC=0+-100	24546	C3-1/8-T0-511R-F
2628A AND ABOVE AAA3R19	0898-1903	5		RESISTOR 51.1 1% .05W F TC=0+-100	24546	C4-1/8-T0-511R-F

† Refer to Section 7 for update information.

* Factory Selected Component (Refer to Section 5.)

Table 6-3. Replaceable Parts

Reference Designation	HP Part Number	C D	Qty.	Description	Mfr. Code	Mfr. Part Number
2234A TO 2449A						
A4A3R20	0698-7188	8		RESISTOR 10 1% .05W F TC=0+-100	24546	C3-1/8-T0-10R-F
A4A3R21	0698-7205	0		RESISTOR 51.1 1% .05W F TC=0+-100	24546	C3-1/8-T0-51R1-F
A4A3R22	0698-7205	0		RESISTOR 51.1 1% .05W F TC=0+-100	24546	C3-1/8-T0-51R1-F
2451A AND ABOVE						
A4A3R20	0698-3437	2		RESISTOR 133 1% .125W F TC=0+-100	24546	C4-1/8-T0-133R-F
A4A3R21	0698-7210	7	3	RESISTOR 82.5 1% .05W F TC=0+-100	24546	C3-1/8-T0-82R5-F
A4A3R22	0698-3132	4		RESISTOR 261 1% .125W F TC=0+-100	24546	C4-1/8-T0-261R-F
A4A3R23	0698-7246	9		RESISTOR 2.61K 1% .05W F TC=0+-100	24546	C3-1/8-T0-2611-F
2234A TO 2449A						
A4A3R24	0698-7212	9		RESISTOR 100 1% .05W F TC=0+-100	24546	C3-1/8-T0-100R-F
2451A AND ABOVE						
A4A3R24	0698-7223	2		RESISTOR 287 1% .05W F TC=0+-100	24546	C3-1/8-T0-287R-F
A4A3R25	0698-7233	4	1	RESISTOR 750 1% .05W F TC=0+-100	24546	C3-1/8-T0-750R-F
A4A3R26	0698-7229	8		RESISTOR 511 1% .05W F TC=0+-100	24546	C3-1/8-T0-511R-F
A4A3R27	0698-7237	8	1	RESISTOR 1.1K 1% .05W F TC=0+-100	24546	C3-1/8-T0-1101-F
2234A TO 2449A						
A4A3R28	0698-7205	0		RESISTOR 51.1 1% .05W F TC=0+-100	24546	C3-1/8-T0-51R1-F
A4A3R29	0698-7188	8		RESISTOR 10 1% .05W F TC=0+-100	24546	C3-1/8-T0-10R-F
2451A AND ABOVE						
A4A3R28	0698-7210	7		RESISTOR 82.5 1% .05W F TC=0+-100	24546	C3-1/8-T0-82R5-F
A4A3R29	0698-3437	2		RESISTOR 133 1% .125W F TC=0+-100	24546	C4-1/8-T0-133R-F
A4A3R30	0757-0402	1	1	RESISTOR 110 1% .125W F TC=0+-100	24546	C4-1/8-T0-111-F
2234A TO 2449A						
A4A3R31	0698-7188	8		RESISTOR 10 1% .05W F TC=0+-100	24546	C3-1/8-T0-10R-F
A4A3R32	0698-7205	0		RESISTOR 51.1 1% .05W F TC=0+-100	24546	C3-1/8-T0-51R1-F
2451A AND ABOVE						
A4A3R31	0698-3437	2		RESISTOR 133 1% .125W F TC=0+-100	24546	C4-1/8-T0-133R-F
A4A3R32	0698-7210	7		RESISTOR 82.5 1% .05W F TC=0+-100	24546	C3-1/8-T0-82R5-F
A4A3R33	0757-0814	9	1	RESISTOR 511 1% .5W F TC=0+-100	28480	0757-0814
A4A3R34	0698-7260	7		RESISTOR 10K 1% .05W F TC=0+-100	24546	C3-1/8-T0-1002-F
A4A3R35	0698-3442	9	3	RESISTOR 237 1% .125W F TC=0+-100	24546	C4-1/8-T0-237R-F
A4A3R36	0698-7188	8		RESISTOR 10 1% .05W F TC=0+-100	24546	C3-1/8-T0-10R-F
A4A3R37	0698-3447	4		RESISTOR 422 1% .125W F TC=0+-100	24546	C4-1/8-T0-422R-F
A4A3R38	0698-7188	8		RESISTOR 10 1% .05W F TC=0+-100	24546	C3-1/8-T0-10R-F
2234A TO 2615A						
A4A3R39	0698-7205	0		RESISTOR 51.1 1% .05W F TC=0+-100	24546	C3-1/8-T0-51R1-F
2628A AND ABOVE						
A4A3R39	0698-1903	5		RESISTOR 51.1 1% .05W F TC=0+-100	24546	C4-1/8-T0-51R1-F
A4A3R40	0698-3437	2		RESISTOR 133 1% .125W F TC=0+-100	24546	C4-1/8-T0-133R-F
A4A3R41	0698-7231	2		RESISTOR 619 1% .05W F TC=0+-100	24546	C3-1/8-T0-619R-F
A4A3R42	0698-7246	9		RESISTOR 2.61K 1% .05W F TC=0+-100	24546	C3-1/8-T0-2611-F
A4A3R43	0698-3437	2		RESISTOR 133 1% .125W F TC=0+-100	24546	C4-1/8-T0-133R-F
A4A3R44	0698-7188	8		RESISTOR 10 1% .05W F TC=0+-100	24546	C3-1/8-T0-10R-F
A4A3R45	0698-3447	4		RESISTOR 422 1% .125W F TC=0+-100	24546	C4-1/8-T0-422R-F
A4A3R46	0698-7188	8		RESISTOR 10 1% .05W F TC=0+-100	24546	C3-1/8-T0-10R-F

† Refer to Section 7 for update information.

* Factory Selected Component (Refer to Section 5.)

Table 6-3. Replaceable Parts

Reference Designation	HP Part Number	C D	Qty.	Description	Mfr. Code	Mfr. Part Number
2234A TO 2615A AAA3R47	0698-7205	0		RESISTOR 51.1 1% .05W F TC=0+-100	24546	C3-1/8-TO-51R1-F
2628A AND ABOVE AAA3R47	0699-1903	5		RESISTOR 51.1 1% .05W F TC=0+-100	24546	C4-1/8-TO-51R1-F
A4A3R48	0698-7216	3	2	RESISTOR 147 1% .05W F TC=0+-100	24546	C3-1/8-TO-147R-F
A4A3R49	0698-7202	7	1	RESISTOR 38.3 1% .05W F TC=0+-100	24546	C3-1/8-TO-38R3-F
A4A3R50	0698-7216	3		RESISTOR 147 1% .05W F TC=0+-100	24546	C3-1/8-TO-147R-F
A4A3R51	0698-3443	0	2	RESISTOR 287 1% .125W F TC=0+-100	24546	C4-1/8-TO-287R-F
A4A3R52	0698-3443	0		RESISTOR 287 1% .125W F TC=0+-100	24546	C4-1/8-TO-287R-F
A4A3R53	1810-0206	8	1	NETWORK-RES 8-SIP10.0K OHM X 7	01121	208A103
A4A3R54	0757-0280	3	2	RESISTOR 1K 1% .125W F TC=0+-100	24546	C4-1/8-TO-1001-F
A4A3R55	0698-7244	7	1	RESISTOR 2.15K 1% .05W F TC=0+-100	24546	C3-1/8-TO-2151-F
A4A3R56	0698-7247	0	1	RESISTOR 2.87K 1% .05W F TC=0+-100	24546	C3-1/8-TO-2871-F
A4A3R57	0757-0280	3		RESISTOR 1K 1% .125W F TC=0+-100	24546	C4-1/8-TO-1001-F
A4A3R58	0757-0798	8	1	RESISTOR 110 1% .5W F TC=0+-100	28480	0757-0798
A4A3R59	0757-0442	9	3	RESISTOR 10K 1% .125W F TC=0+-100	24546	C4-1/8-TO-1002-F
A4A3R60	0757-0442	9		RESISTOR 10K 1% .125W F TC=0+-100	24546	C4-1/8-TO-1002-F
A4A3R61	0698-7227	6	2	RESISTOR 422 1% .05W F TC=0+-100	24546	C3-1/8-TO-422R-F
A4A3R62	0757-0290	5	1	RESISTOR 6.19K 1% .125W F TC=0+-100	19701	MF4C1/8-TO-6191-F
2234A TO 2346A AAA3R63	2100-2522	1	1	RESISTOR-TRMR 10K 10% C SIDE-ADJ 1-TRN	30983	ET50X103
2450A AND ABOVE AAA3R63	2100-3210	6	1	RESISTOR-TRMR 10K 10% C TOP-ADJ 1-TRN	28480	2100-3210
A4A3R64	0757-0441	8	1	RESISTOR 8.25K 1% .125W F TC=0+-100	24546	C4-1/8-TO-8251-F
A4A3R65	0698-7190	2	1	RESISTOR 12.1 1% .05W F TC=0+-100	24546	C3-1/8-TO-12R1-F
A4A3R66	0698-7227	6		RESISTOR 422 1% .05W F TC=0+-100	24546	C3-1/8-TO-422R-F
A4A3R67	0757-0401	0	1	RESISTOR 100 1% .125W F TC=0+-100	24546	C4-1/8-TO-101-F
A4A3R68	0757-0442	9		RESISTOR 10K 1% .125W F TC=0+-100	24546	C4-1/8-TO-1002-F
A4A3R69	0698-3442	9		RESISTOR 237 1% .125W F TC=0+-100	24546	C4-1/8-TO-237R-F
A4A3R70	0698-3442	9		RESISTOR 237 1% .125W F TC=0+-100	24546	C4-1/8-TO-237R-F
A4A3R71	0757-1092	7	1	RESISTOR 287 1% .5W F TC=0+-100	28480	0757-1092
A4A3R72	0698-7271	0	1	RESISTOR 28.7K 1% .05W F TC=0+-100	24546	C3-1/8-TO-2872-F
2234A TO 2449A AAA3R73				NOT ASSIGNED		
AAA3R71				NOT ASSIGNED		
2451A AND ABOVE AAA3R73	0698-7188	8		RESISTOR 10 1% .05W F TC=0+-100	24546	C3-1/8-TO-10R-F
AAA3R74	0698-7188	8		RESISTOR 10 1% .05W F TC=0+-100	24546	C3-1/8-TO-10R-F
A4A3TP1	1251-0800	0	5	CONNECTOR-SGL CONT PIN 1.14-MM-BSC-SZ SQ	28480	1251-0800
A4A3TP2	1251-1556	7	6	CONNECTOR-SGL CONT SKT .018-IN-BSC-SZ	28480	1251-1556
A4A3TP3	1251-1556	7		CONNECTOR-SGL CONT SKT .018-IN-BSC-SZ	28480	1251-1556
A4A3TP4	1251-1556	7		CONNECTOR-SGL CONT SKT .018-IN-BSC-SZ	28480	1251-1556
A4A3TP5	1251-1556	7		CONNECTOR-SGL CONT SKT .018-IN-BSC-SZ	28480	1251-1556
A4A3TP6	1251-0600	0		CONNECTOR-SGL CONT PIN 1.14-MM-BSC-SZ SQ	28480	1251-0600
A4A3TP7	1251-0600	0		CONNECTOR-SGL CONT PIN 1.14-MM-BSC-SZ SQ	28480	1251-0600
A4A3TP8	1251-1556	7		CONNECTOR-SGL CONT SKT .018-IN-BSC-SZ	28480	1251-1556
A4A3TP9	1251-1556	7		CONNECTOR-SGL CONT SKT .018-IN-BSC-SZ	28480	1251-1556
A4A3TP10	1251-0600	0		CONNECTOR-SGL CONT PIN 1.14-MM-BSC-SZ SQ	28480	1251-0600
A4A3TP11	1251-0600	0		CONNECTOR-SGL CONT PIN 1.14-MM-BSC-SZ SQ	28480	1251-0600

† Refer to Section 7 for update information.

* Factory Selected Component (Refer to Section 5.)

Table 6-3. Replaceable Parts

Reference Designation	HP Part Number	C D	Qty.	Description	Mfr. Code	Mfr. Part Number
A4A3U1	1826-0372	2	4	IC MISC 8-DIP-P PKG	28480	1826-0372
A4A3U2	1826-0372	2		IC MISC 8-DIP-P PKG	28480	1826-0372
A4A3U3	1820-1940	0	2	IC CNTR ECL BIN SYNCHRO POS-EDGE-TRIG	28480	1820-1940
A4A3U4	1820-1940	0		IC CNTR ECL BIN SYNCHRO POS-EDGE-TRIG	28480	1820-1940
A4A3U5	08662-67002	4	1	UHF POWER AMPLIFIER	28480	08662-67002
	0340-0834	0	1	INSULATOR-XSTR POLYI	28480	0340-0834
	1205-0206	5	1	HEAT SINK SGL TO-5/TO-39-CS	28480	1205-0206
A4A3U6	1820-0535	7	1	IC DRVR TTL AND DUAL 2-INP	01295	SN75451BP
A4A3U7	0955-0147	1	1	MIXER-DOUBLE BALANCED FREQ=120 TO 640	28480	0955-0147
A4A3U8	1826-0372	2		IC MISC 8-DIP-P PKG	28480	1826-0372
A4A3U9	1820-0668	7	1	IC BFR TTL NON-INV HEX 1-INP	01295	SN7407N
A4A3U10	1826-0372	2		IC MISC 8-DIP-P PKG	28480	1826-0372
A4A3U11	08663-80003	4	1	PROM	28480	08663-80003
A4A3U12	1820-1322	2	1	IC GATE TTL S NOR QUAD 2-INP	01295	SN74S02N
A4A3U13	1820-1197	8	1	IC GATE TTL LS NAND QUAD 2-INP	01295	SN74LS00N
A4A3U14	08660-60060	1	1	OSCILLATOR ASSEMBLY 4 GHZ (STANDARD AND OPTION 001 ONLY)	28480	08663-80060
A4A3W1				NOT SEPARATELY REPLACEABLE (STANDARD AND OPTION 001 ONLY)	28480	08663-00078
2234A TO 2346A A4A3W2			1	NOT ASSIGNED		
2350A TO 2449A A4A3W2	08663-20357	5	1	4 GHZ STUB FILTER-COAX	28480	08663-20357
2451A AND ABOVE A4A3W2			1	NOT ASSIGNED		

† Refer to Section 7 for update information.

* Factory Selected Component (Refer to Section 5.)

Table 6-3. Replaceable Parts

Reference Designation	HP Part Number	C D	Qty.	Description	Mfr. Code	Mfr. Part Number
A4A3A1						
<i>2231A TO 2543A</i>						
A4A3A1	08663-60033	8	1	OSCILLATOR ASSEMBLY-4 GHZ	28480	08663-60033
<i>2546A AND ABOVE</i>						
A4A3A1	08663-60033	8	1	OSCILLATOR ASSEMBLY-4 GHZ	28480	08663-60033
A4A3A1R1	0898-5378	4	1	RESISTOR 100 10% .1W C TC-04-200	28654	3C101K
A4A3A1U1	11661-67002	0	1	VCO/MIXER ASSY	28480	11661-67002

† Refer to Section 7 for update information.

* Factory Selected Component (Refer to Section 5.)

Table 6-3. Replaceable Parts

Reference Designation	HP Part Number	C	D	Qty.	Description	Mfr. Code	Mfr. Part Number
A4A4							
NOTE <i>The A4A4 Assembly and its sub-assemblies are not recommended for field repair.</i>							
<i>2234A TO 2533A</i>							
A4A4 †	08663-60011	2		1	PHASE MODULATOR ASSEMBLY (OPT. 002 ONLY)	28480	08663-60011
<i>2535A AND ABOVE</i>							
A4A4	08663-60070	3		1	PHASE MODULATOR ASSEMBLY (OPT. 002 ONLY)	28480	08663-60070
A4A4CR1	1906-0252	7			DIODE-MATCHED VF DIFF = 20MV		1906-0252
A4A4E1	9170-0029	3		11	CORE-SHIELDING BEAD	28480	9170-0029
A4A4E2	9170-0029	3			CORE-SHIELDING BEAD	28480	9170-0029
A4A4E3	9170-0029	3			CORE-SHIELDING BEAD	28480	9170-0029
A4A4E4	9170-0029	3			CORE-SHIELDING BEAD	28480	9170-0029
A4A4E5	9170-0029	3			CORE-SHIELDING BEAD	28480	9170-0029
A4A4E6	9170-0029	3			CORE-SHIELDING BEAD	28480	9170-0029
A4A4E7	9170-0029	3			CORE-SHIELDING BEAD	28480	9170-0029
A4A4E8	9170-0029	3			CORE-SHIELDING BEAD	28480	9170-0029
A4A4FL1	9135-0002	8		8	FILTER-LOW PASS SOLDER-TERMS	33095	51-744-018
A4A4FL2	9135-0002	8			FILTER-LOW PASS SOLDER-TERMS	33095	51-744-018
A4A4FL3	9135-0002	8			FILTER-LOW PASS SOLDER-TERMS	33095	51-744-018
A4A4FL4	9135-0002	8			FILTER-LOW PASS SOLDER-TERMS	33095	51-744-018
A4A4FL5	9135-0002	8			FILTER-LOW PASS SOLDER-TERMS	33095	51-744-018
A4A4FL6 ^Δ	9135-0413	5			FILTER-LOW PASS LEADS-TERMS	09538	4201-065
A4A4FL7	08663-20319	9		1	BD BBF	28480	08663-20319
A4A4J1	1250-0829	3		3	CONNECTOR-RF SMC M SGL-HOLE-FR 50-OHM	28480	1250-0829
	2190-0124	4		47	WASHER-LK INTL T NO. 10 .195-IN-ID	28480	2190-0124
A4A4J2	1250-1157	2		2	CONNECTOR-RF SMA FEM THD-HOLE 50-OHM	28480	1250-1157
A4A4J3	1250-1157	2			CONNECTOR-RF SMA FEM THD-HOLE 50-OHM	28480	1250-1157
A4A4J4	1250-0829	3			CONNECTOR-RF SMC M SGL-HOLE-FR 50-OHM	28480	1250-0829
	2190-0124	4			WASHER-LK INTL T NO. 10 .195-IN-ID	28480	2190-0124
A4A4J5					NOT ASSIGNED		
A4A4J6	1250-0829	3			CONNECTOR-RF SMC M SGL-HOLE-FR 50-OHM	28480	1250-0829
	2190-0124	4			WASHER-LK INTL T NO. 10 .195-IN-ID	28480	2190-0124
A4A4J7					NOT ASSIGNED		
A4A4J8	1250-0563	2		2	CONNECTOR-RF SMA M 4-HOLE-FLG-FR 50-OHM	28480	1250-0563
A4A4J9	1250-0563	2			CONNECTOR-RF SMA M 4-HOLE-FLG-FR 50-OHM	28480	1250-0563
A4A4MP1	08663-00052	5		1	COVER-PM (TOP)	28480	08663-00052
	2200-0105	4		4	SCREW-MACH 4-40 .312-IN-LG PAN-HD-POZI	00000	ORDER BY DESCRIPTION
<i>2234A TO 2533A</i>							
A4A4MP2	08663-20005	0		1	HOUSING-PHASE MOD.	28480	08663-20005
	0520-0164	1		1	SCREW-MACH 2-56 .25-IN-LG 82 DEG	00000	ORDER BY DESCRIPTION
	2200-0567	2		1	SCREW-MACH 4-40 .125-IN-LG PAN-HD-POZI	00000	ORDER BY DESCRIPTION
	08662-20305	2		1	THREADED PIN	28480	08662-20305
<i>2535A AND ABOVE</i>							
A4A4MP2	08663-20005	2		1	HOUSING-PHASE MOD.	28480	08663-20005
	0520-0174	1		1	SCREW-MACH 2-56 .25-IN-LG PAN-HD-POZI	00000	ORDER BY DESCRIPTION
	2200-0103	2		1	SCREW-MACH 4-40 .125-IN-LG PAN-HD-POZI	00000	ORDER BY DESCRIPTION
	08662-20305	2		1	THREADED PIN	28480	08662-20305

†Refer to Section 7 for update information.

*Factory Selected Component (Refer to Section 5).

Δ Errata part change.

Table 6-3. Replaceable Parts

Reference Designation	HP Part Number	C D	Qty.	Description	Mfr. Code	Mfr. Part Number
AAAAMP3	08663-00081	2	1	COVER-PM (FRONT)	28480	08663-00081
	08663-00088	7	2	GASKET-PM (LARGE)	28480	08663-00088
AAAAMP4	08663-20007	2	1	COVER-PM (SMALL)	28480	08663-20007
	08663-00087	8	1	GASKET-PM (SMALL)	28480	08663-00087
AAAAMP5	08663-00090	1	1	COVER-PM (BACK)	28480	08663-00090
	08663-00088	7		GASKET-PM (LARGE)	28480	08663-00088
AAA4U1	0955-0045	8	1	CIRCULATOR 3.9-4.1GHZ: VSWR 1.25: 1 MAX	28480	0955-0045
AAA4W1 AAA4W2-5	08663-80024	7	1	COAX-855-80011 NOT SEPARATELY REPLACEABLE	28480	08663-80024
2234A TO 2533A AAA4W6	08663-20038	7	2	SUBMIN COAX (LONG)	28480	08663-20038
2535A AND ABOVE AAA4W6	08663-20068	3		SUBMIN COAX (LONG)	28480	08663-20068
AAA4W7-11 AAA4W11	08663-20045	8	1	NOT SEPARATELY REPLACEABLE SEMIRIGID CABLE PM	28480	08663-20045
AAA4W12-14 AAA4W15				NOT SEPARATELY REPLACEABLE NOT ASSIGNED		
2234A TO 2533A AAA4W16	08663-20044	7	1	SUBMIN COAX (SHORT)	28480	08663-20044
2535A AND ABOVE AAA4W16	08663-20067	4	1	SUBMIN COAX (SHORT)	28480	08663-20067
AAA4W17	08663-20047	0	3	FEEDTHRU PIN	28480	08663-20047
	08663-20046	9	3	BEAD-DIELECTRIC	28480	08663-20046
AAA4W18	08663-20047	0		FEEDTHRU PIN	28480	08663-20047
	08663-20046	9		BEAD-DIELECTRIC	28480	08663-20046
AAA4W19	08663-20047	0		FEEDTHRU PIN	28480	08663-20047
	08663-20046	9		BEAD-DIELECTRIC	28480	08663-20046
AAA4W20	08663-20038	7		SUBMIN COAX (LONG)	28480	08663-20038

†Refer to Section 7 for update information.

*Factory Selected Component (Refer to Section 5).

Δ Errata part change.

Table 6-3. Replaceable Parts

Reference Designation	HP Part Number	C D	Qty.	Description	Mfr. Code	Mfr. Part Number
A4A4A1						
NOTE The A4A4 Assembly and its sub-assemblies are not recommended for field repair.						
A4A4A1	08663-80312	6	1	BOARD ASSEMBLY-PM MIXER INPUT (OPTION 002 ONLY)	28480	08663-80312
A4A4A1C1	0180-3879	7	166	CAPACITOR-FXD .01PF +-20% 100VDC CER	28480	0180-3879
A4A4A1C2	0180-3879	7		CAPACITOR-FXD .01UF +-20% 100VDC CER	28480	0180-3879
A4A4A1C3	0160-5978	8	2	CAPACITOR-FXD 10PF +-5% 50VDC CER 0+-30	24840	0160-5975
A4A4A1C4	0160-5978	8	2	CAPACITOR-FXD 10PF +-5% 50VDC CER 0+-30	24840	0160-5975
A4A4A1C5	0160-4388	3	4	CAPACITOR-FXD 33PF +-5% 200VDC CER 0+-30	28480	0160-4388
A4A4A1C6	0160-4388	3		CAPACITOR-FXD 33PF +-5% 200VDC CER 0+-30	28480	0160-4388
A4A4A1C7	0160-3877	5	23	CAPACITOR-FXD 100PF +-20% 200VDC CER	28480	0160-3877
A4A4A1C8	0160-3877	5		CAPACITOR-FXD 100PF +-20% 200VDC CER	28480	0160-3877
A4A4A1C9	0160-3879	7		CAPACITOR-FXD .01UF +-20% 100VDC CER	28480	0160-3879
A4A4A1C10	0160-3877	5		CAPACITOR-FXD 100PF +-20% 200VDC CER	28480	0160-3877
A4A4A1CR1	1901-1098	9		DIODE-PIN	28480	1901-1098
A4A4A1CR2	1901-1098	9		DIODE-PIN	28480	1901-1098
A4A4A1CR3	1901-0050	3	94	DIODE-SWITCHING 80V 200MA 2NS DO-35	28480	1901-0050
A4A4A1CR4	1901-0639	4	1	DIODE-PIN	28480	5092-3090
A4A4A1CR5	1901-1085	6	1	DIODE-SM SIG SCHOTTKY	28480	1901-1085
A4A4A1CR6				NOT ASSIGNED		
A4A4A1L1	9100-3922	4	74	INDUCTOR-FIXED 120-1300 HZ	28480	9100-3922
A4A4A1L2	9100-3922	4		INDUCTOR-FIXED 120-1300 HZ	28480	9100-3922
A4A4A1Q1	1854-0720	3	12	TRANSISTOR NPN Si PD=500MW FT=4GHZ	28480	1854-0720
A4A4A1R1	0699-0130	8	12	RESISTOR 287 5% .1W C TC=0+-200	28480	0699-0130
A4A4A1R2	0698-7253	8		RESISTOR 5.11K 1% .05W F TC=0+-100	24546	C3-1/8-T0-5111-F
A4A4A1R3	0698-7288	9	3	RESISTOR 147K 1% .05W F TC=0+-100	24546	C3-1/8-T0-1473-F
A4A4A1R4	0698-7209	4	5	RESISTOR 75 1% .05W F TC=0+-100	24546	C3-1/8-T0-75R0-F
A4A4A1R5	0698-3444	1	8	RESISTOR 316 1% .125W F TC=0+-100	24546	C4-1/8-T0-316R-F
A4A4A1R6	0757-0424	7	4	RESISTOR 1.1K 1% .125W F TC=0+-100	24546	C4-1/8-T0-1101-F
A4A4A1R7	0698-3132	4	7	RESISTOR 281 1% .125W F TC=0+-100	24546	C4-1/8-T0-2810-F
A4A4A1R8	0698-7277	6	15	RESISTOR 51.1K 1% .05W F TC=0+-100	24546	C3-1/8-T0-5112-F
A4A4A1R9	0698-7238	7	86	RESISTOR 1K 1% .05W F TC=0+-100	24546	C3-1/8-T0-1001-F
A4A4A1R10	2100-1986	9	2	RESISTOR-TRMR 1K 10% C TOP-ADJ 1-TRN	73138	82PR1K
A4A4A1R11	0698-7284	5	4	RESISTOR 100K 1% .05W F TC=0+-100	24546	C3-1/8-T0-1003-F
A4A4A1R12	0698-7205	0	35	RESISTOR 51.1 1% .05W F TC=0+-100	24546	C3-1/8-T0-51R1-F
A4A4A1U1	1828-0547	3	2	IC OP AMP LOW-BIAS-H-IMPED DUAL 8-DIP-P	01295	TL072ACP
A4A4A1VR1	1902-0959	3	1	DIODE-ZNR 11V 5% DO-35 PD=.4W TC=+.078%	28480	1902-0959

†Refer to Section 7 for update information.

*Factory Selected Component (Refer to Section 5).

Table 6-8. Replaceable Parts

Reference Designation	HP Part Number	C D	Qty.	Description	Mfr. Code	Mfr. Part Number
A4A4A2 †						
08663-60314 - SERIAL PREFIX 2234A TO 2533A						
<i>NOTE</i> The A4A4 Assembly and its sub-assemblies are not recommended for field repair.						
A4A4A2	08663-60314	8	1	BOARD-PM IF AMP	28480	08663-60314
A4A4A2C1	0160-5975	8	1	CAPACITOR-FXD 10PF +-5% 50VDC CER	28480	0160-5975
A4A4A2MP1 A4A4A2Q1 †	08663-20048	1	1	POLYIRON SHIELD REPLACEMENT NO LONGER AVAILABLE	28480	08663-20048
A4A4A2R1	0699-3390	8	3	RESISTOR 19.6 1% .5W F TC=0+-100	28480	0699-3390
A4A4A2R2	0699-5278	4	1	RESISTOR 100 10% .1W C TC=0+-200	28654	3C101K
A4A4A2VR1	1902-0955	9	3	DIODE-ZNR 7.5V 5% DO-35 PD=.4W TC=+.062%	28480	1902-0955
A4A4A2						
08663-60368 - SERIAL PREFIX 2535A AND ABOVE						
A4A4A2	08663-60368	2	1	PHASE MOD IF AMP ASSEMBLY	28480	08663-60368
A4A4A2C1	0160-5975	8	3	CAPACITOR-FXD 10PF +-5% 50VDC CER	28480	0160-5975
A4A4A2C2	0160-5975	8	3	CAPACITOR-FXD 10PF +-5% 50VDC CER	28480	0160-5975
A4A4A2C3	0160-5975	8	3	CAPACITOR-FXD 10PF +-5% 50VDC CER	28480	0160-5975
A4A4A2C4	0160-5975	8	1	CAPACITOR-FXD 10PF +-5% 50VDC CER	28480	0160-5975
A4A4A2MP1	08663-20068	5	1	SHIELD, POLYIRON	28480	08663-20068
A4A4A2Q1	1855-0643	1	6	TRANSISTOR GAAS FET GALLIUM ARSENIDE	S0545	NE72089A
A4A4A2Q2	1855-0643	1	6	TRANSISTOR GAAS FET GALLIUM ARSENIDE	S0545	NE72089A
A4A4A2R1	0699-0183	1	4	RESISTOR 436 5% .1W C TC=0+-200	28480	0699-0183
A4A4A2R2	0699-0128	4	2	RESISTOR 10 5% .1W C TC=0+-200	28654	3C100J
A4A4A2R3	0699-0183	1	4	RESISTOR 436 5% .1W C TC=0+-200	28480	0699-0183
A4A4A2R4	0699-0183	1	4	RESISTOR 436 5% .1W C TC=0+-200	28480	0699-0183
A4A4A2R5	0699-0128	4	2	RESISTOR 10 5% .1W C TC=0+-200	28654	3C100J
A4A4A2R6	0699-0183	1	4	RESISTOR 436 5% .1W C TC=0+-200	28480	0699-0183
A4A4A2R7	0757-0401	0		RESISTOR 100 1% .125W F TC=0=-100	24546	C4-1/8-TD-101-F
A4A4A2R8	2100-2216	0		RESISTOR-TRMR 5K 10% C TOP-ADJ 1-TRN	73138	82PR5K
A4A4A2R9	0699-3435	0		RESISTOR 38.3 1% .125W F TC=0=-100	24546	C4-1/8-TD-38R3-F
A4A4A2R10	0757-0401	0		RESISTOR 100 1% .125W F TC=0=-100	24546	C4-1/8-TD-101-F
A4A4A2R11	2100-2216	0		RESISTOR-TRMR 5K 10% C TOP-ADJ 1-TRN	73138	82PR5K
A4A4A2R12	0699-3435	0		RESISTOR 38.3 1% .125W F TC=0=-100	24546	C4-1/8-TD-38R3-F
A4A4A2VR1	1902-0951	5		DIODE-ZNR 5.1V 5% DO-35 PD=.4W TC=.035%	28480	1902-0951
A4A4A2VR2	1902-0951	5		DIODE-ZNR 5.1V 5% DO-35 PD=.4W TC=.035%	28480	1902-0951

†Refer to Section 7 for update information.

*Factory Selected Component (Refer to Section 5).

Table 6-3. Replaceable Parts

Reference Designation	HP Part Number	C D	Qty.	Description	Mfr. Code	Mfr. Part Number
A4A4A3 †						
08663-60313 – SERIAL PREFIX 2234A TO 2533A						
NOTE The A4A4 Assembly and its sub-assemblies are not recommended for field repair.						
A4A4A3	08663-60313	7	1	BOARD-PHASE MOD LO AMP 1	28480	08663-60313
A4A4A3C1	0180-0491	5	1	CAPACITOR-FXD 10UF +-20% 25VDC TA	28480	0180-0491
A4A4A3C2	0160-5975	8	1	CAPACITOR-FXD 10PF +-5% 50VDC CER	28480	0160-5975
REPLACEMENT NO LONGER AVAILABLE						
A4A4A3Q1 †						
A4A4A3R1	0899-0180	8	2	RESISTOR 150 5% .1W C TC=0+-200	28654	3C151J
A4A4A3R2	0899-0179	5	1	RESISTOR 37.3 5% .1W C TC=0+-200	28480	0899-0179
A4A4A3R3	0899-8821	8	2	RESISTOR 5.62 1% .125W F TC=0+-100	28480	0899-8821
A4A4A3R4	0899-0180	8		RESISTOR 150 5% .1W C TC=0+-200	28654	3C151J
A4A4A3R5	0899-3390	6		RESISTOR 19.6 1% .8W F TC=0+-100	28480	0899-3390
A4A4A3R6	0899-0130	9		RESISTOR 287 5% .1W C TC=0+-200	28480	0899-0130
A4A4A3R7	0899-0129	5		RESISTOR 17.6 5% .1W C TC=0+-200	28480	0899-0129
A4A4A3R8	0899-0130	8		RESISTOR 287 5% .1W C TC=0+-200	28480	0899-0130
A4A4A3VR1	1902-0955	9		DIODE-ZNR 7.5V 5% DO-35 PD=.4W TC=+.082%	28480	1902-0955
A4A4A3						
08663-60367 – SERIAL PREFIX 2535A AND ABOVE						
A4A4A3	08663-60367	1	1	BOARD-PHASE MOD LO AMP 1	28480	08663-60313
A4A4A3C1	0180-0491	5	1	CAPACITOR-FXD 10UF +-20% 25VDC TA	28480	0180-0491
A4A4A3C2	0160-5975	8	4	CAPACITOR-FXD 10PF +-5% 50VDC CER	28480	0160-5975
A4A4A3C3	0160-5975	8	4	CAPACITOR-FXD 10PF +-5% 50VDC CER	28480	0160-5975
A4A4A3C4	0160-5975	8	4	CAPACITOR-FXD 10PF +-5% 50VDC CER	28480	0160-5975
A4A4A3C5	0160-5975	8	4	CAPACITOR-FXD 10PF +-5% 50VDC CER	28480	0160-5975
A4A4A3Q1	1855-0643	1	6	TRANSISTOR GAAS FET GALLIUM ARSENIDE	S0545	NE72089A
A4A4A3Q2	1855-0643	1	6	TRANSISTOR GAAS FET GALLIUM ARSENIDE	S0545	NE72089A
A4A4A3R1	0899-0180	8	2	RESISTOR 150 5% .1W C TC=0+-200	28654	3C151J
A4A4A3R2	0899-0179	5	1	RESISTOR 37.3 5% .1W C TC=0+-200	28480	0899-0179
A4A4A3R3	0899-8821	8	2	RESISTOR 5.62 1% .125W F TC=0+-100	28480	0899-8821
A4A4A3R4	0899-0180	8		RESISTOR 150 5% .1W C TC=0+-200	28654	3C151J
A4A4A3R5	0757-0401	0		RESISTOR 100 1% .125W F TC=0+-100	24546	C4-1/8-TO-101-F
A4A4A3R6	2100-2216	0		RESISTOR-TRMR 5K 10% C TOP-ADJ 1-TRN	73138	82PR5K
A4A4A3R7	0899-3435	0		RESISTOR 38.3 1% .125W F TC=0+-100	24546	C4-1/8-TO-38R3-F
A4A4A3R8	0899-0182	0		RESISTOR 220 5% .1W CTC=0+-200	28654	3C151J
A4A4A3R9	0899-0177	3		RESISTOR 28.3 5% .1W CTC=0+-200	28480	0899-0177
A4A4A3R10	0899-0182	0		RESISTOR 220 5% .1W CTC=0+-200	28654	3C151J
A4A4A3R11	0899-3435	0		RESISTOR 38.3 1% .125W F TC=0+-100	24546	C4-1/8-TO-38R3-F
A4A4A3R12	0757-0401	0		RESISTOR 100 1% .125W F TC=0+-100	24546	C4-1/8-TO-101-F
A4A4A3R13	2100-2216	0		RESISTOR-TRMR 5K 10% C TOP-ADJ 1-TRN	73138	82PR5K
A4A4A3VR1	1902-0951	5	4	DIODE-ZNR 5.1V 5% DO-35 PD=.4W TC=+.035%	28480	1902-0951
A4A4A3VR2	1902-0951	5	4	DIODE-ZNR 5.1V 5% DO-35 PD=.4W TC=+.035%	28480	1902-0951

†Refer to Section 7 for update information.

*Factory Selected Component (Refer to Section 5).

Table 6-3. Replaceable Parts

Reference Designation	HP Part Number	C D	Qty.	Description	Mfr. Code	Mfr. Part Number
A4A4A4						
NOTE The A4A4 Assembly and its sub-assemblies are not recommended for field repair.						
2234A TO 2313A A4A4A4 † 2323A AND ABOVE A4A4A4	08663-60324	0	1	BOARD ASSEMBLY-PM-PM	28480	08663-60324
	08663-60356	8	1	BOARD ASSEMBLY-PM-PM	28480	08663-60356
A4A4A4C1	0180-2697	7	5	CAPACITOR-FXD 10UF +-10% 25VDC TA	28480	0180-2697
A4A4A4C2	0160-5975	8	4	CAPACITOR-FXD 10PF +-5% 100VDC CER	28480	0160-5975
A4A4A4C3	0160-5975	8	4	CAPACITOR-FXD 10PF +-5% 100VDC CER	28480	0160-5975
A4A4A4C4	0160-5975	8	4	CAPACITOR-FXD 10PF +-5% 100VDC CER	28480	0160-5975
A4A4A4C5	0160-5975	8	4	CAPACITOR-FXD 10PF +-5% 100VDC CER	28480	0160-5975
A4A4A4C6	0160-3879	7		CAPACITOR-FXD .01UF +-20% 100VDC CER	28480	0160-3879
A4A4A4C7	0160-3879	7		CAPACITOR-FXD .01UF +-20% 100VDC CER	28480	0160-3879
A4A4A4CR1	1901-0050	3		DIODE-SWITCHING 80V 200MA 2NS DO-35	28480	1901-0050
A4A4A4CR2	0122-0074	8	2	DIODE-VVC .7PF 10% C0/C25-MIN=4 BVR=40V	96341	MA45644
A4A4A4CR3	0122-0074	8		DIODE-VVC .7PF 10% C0/C25-MIN=4 BVR=40V	96341	MA45644
A4A4A4E1	9170-0029	3		CORE-SHIELDING BEAD	28480	9170-0029
A4A4A4L1	9140-0142	8	8	INDUCTOR RF-CH-MLD 2.2UH 10% .105DX.28LG	28480	9140-0142
A4A4A4Q1	1854-0597	2	3	TRANSISTOR NPN 2N5943 SI TO-39 PD=1W	04713	2N5943
A4A4A4Q2	1854-0597	2		TRANSISTOR NPN 2N5943 SI TO-39 PD=1W	04713	2N5943
A4A4A4Q3	1854-0597	2		TRANSISTOR NPN 2N5943 SI TO-39 PD=1W	04713	2N5943
A4A4A4R1	0698-7204	9	6	RESISTOR 46.4 1% .05W F TC=0+-100	24546	C3-1/8-T0-46R4-F
A4A4A4R2	0698-3132	4		RESISTOR 261 1% .125W F TC=0+-100	24546	C4-1/8-T0-2610-F
A4A4A4R3	2100-1788	9	1	RESISTOR-TRMR 500 10% C TOP-ADJ 1-TRN	73138	82PR500
A4A4A4R4	0757-0418	7	9	RESISTOR 511 1% .125W F TC=0+-100	24546	C4-1/8-T0-511R-F
A4A4A4R5	0757-0394	0	9	RESISTOR 51.1 1% .125W F TC=0+-100	24546	C4-1/8-T0-511R1-F
A4A4A4R6	0757-0346	2	10	RESISTOR 10 1% .125W F TC=0+-100	24546	C4-1/8-T0-10R0-F
A4A4A4R7	0698-8820	7	2	RESISTOR 4.64 1% .125W F TC=0+-100	28480	0698-8820
A4A4A4R8	0698-0083	8	6	RESISTOR 1.96K 1% .125W F TC=0+-100	24546	C4-1/8-T0-1961-F
A4A4A4R9	2100-1884	7	1	RESISTOR-TRMR 100 10% C TOP-ADJ 1-TRN	73138	82PR100
A4A4A4R10*	0698-3437	2		RESISTOR 100 1% .125W F TC=0+-100	24546	C4-1/8-T0-133R-F
A4A4A4R11*	0698-3437	2		RESISTOR 133 1% .125W F TC=0+-100	24546	C4-1/8-T0-133R-F
A4A4A4R12	0757-1060	9	2	RESISTOR 196 1% .5W F TC=0+-100	28480	0757-1060
A4A4A4R13	0698-7188	8	63	RESISTOR 10 1% .05W F TC=0+-100	24546	C3-1/8-T0-10R-F
A4A4A4VR1	1902-0962	8	1	DIODE-ZNR 15V 5% DO-35 PD=.4W TC=+.067%	28480	1902-0962
A4A4A4VR2	1902-0949	1	1	DIODE-ZNR 4.3V 5% DO-35 PD=.4W TC=+.017%	28480	1902-0949

†Refer to Section 7 for update information.

*Factory Selected Component (Refer to Section 5).

Table 6-3. Replaceable Parts

Reference Designation	HP Part Number	C D	Qty.	Description	Mfr. Code	Mfr. Part Number
A6A1						
A6A1	08862-60115	6	1	LF MULTIPLIER ASSEMBLY	28480	08862-60115
A6A1C1	0180-2617	1	42	CAPACITOR-FXD 6.8UF+-10% 35VDC TA	25088	D6R8GS1B35K
A6A1C2	0180-2618	2	20	CAPACITOR-FXD 33UF+-10% 10VDC TA	25088	D33GS1B10K
A6A1C3	0160-4527	4	6	CAPACITOR-FXD 56PF +-5% 200VDC CER 0+-30	28480	0160-4527
A6A1C4	0180-2618	2		CAPACITOR-FXD 33UF+-10% 10VDC TA	25088	D33GS1B10K
A6A1C5	0180-2618	2		CAPACITOR-FXD 33UF+-10% 10VDC TA	25088	D33GS1B10K
A6A1C6	0180-2618	2		CAPACITOR-FXD 33UF+-10% 10VDC TA	25088	D33GS1B10K
A6A1C7	0180-2618	2		CAPACITOR-FXD 33UF+-10% 10VDC TA	25088	D33GS1B10K
A6A1C8	0160-3879	7		CAPACITOR-FXD .01UF +-20% 100VDC CER	28480	0160-3879
A6A1C9	0180-2617	1		CAPACITOR-FXD 6.8UF+-10% 35VDC TA	25088	D6R8GS1B35K
A6A1C10	0160-3879	7		CAPACITOR-FXD .01UF +-20% 100VDC CER	28480	0160-3879
A6A1C11	0160-3879	7		CAPACITOR-FXD .01UF +-20% 100VDC CER	28480	0160-3879
A6A1C12	0160-3879	7		CAPACITOR-FXD .01UF +-20% 100VDC CER	28480	0160-3879
A6A1C13	0160-3879	7		CAPACITOR-FXD .01UF +-20% 100VDC CER	28480	0160-3879
A6A1C14	0160-3879	7		CAPACITOR-FXD .01UF +-20% 100VDC CER	28480	0160-3879
A6A1C15	0160-3879	7		CAPACITOR-FXD .01UF +-20% 100VDC CER	28480	0160-3879
A6A1C16	0160-3879	7		CAPACITOR-FXD .01UF +-20% 100VDC CER	28480	0160-3879
A6A1C17	0160-3879	7		CAPACITOR-FXD .01UF +-20% 100VDC CER	28480	0160-3879
A6A1C18	0160-3879	7		CAPACITOR-FXD .01UF +-20% 100VDC CER	28480	0160-3879
A6A1C19	0160-4103	2	4	CAPACITOR-FXD 220PF +-5% 100VDC CER	72882	8121-M100-COG-221J
A6A1C20	0160-4512	7	2	CAPACITOR-FXD 120PF +-5% 200VDC CER	28480	0160-4512
A6A1C21	0160-3879	7		CAPACITOR-FXD .01UF +-20% 100VDC CER	28480	0160-3879
A6A1C22	0160-4389	6		CAPACITOR-FXD 100PF +-5PF 200VDC CER	28480	0160-4389
A6A1C23	0160-4527	4		CAPACITOR-FXD 56PF +-5% 200VDC CER 0+-30	28480	0160-4527
A6A1C24	0160-3879	7		CAPACITOR-FXD .01UF +-20% 100VDC CER	28480	0160-3879
A6A1C25	0160-3879	7		CAPACITOR-FXD .01UF +-20% 100VDC CER	28480	0160-3879
A6A1C26	0160-3874	2		CAPACITOR-FXD 10PF +-5PF 200VDC CER	28480	0160-3874
A6A1C27	0121-0449	9	11	CAPACITOR-V TRMR-CER 3.5-10PF 63V PC-MTG	28480	0121-0449
A6A1C28	0160-3879	7		CAPACITOR-FXD .01UF +-20% 100VDC CER	28480	0160-3879
A6A1C29	0160-4387	4	4	CAPACITOR-FXD 47PF +-5% 200VDC CER 0+-30	28480	0160-4387
A6A1C30	0160-4493	3	2	CAPACITOR-FXD 27PF +-5% 200VDC CER 0+-30	28480	0160-4493
A6A1C31	0121-0449	9		CAPACITOR-V TRMR-CER 3.5-10PF 63V PC-MTG	28480	0121-0449
A6A1C32	0160-3879	7		CAPACITOR-FXD .01UF +-20% 100VDC CER	28480	0160-3879
A6A1C33	0160-3879	7		CAPACITOR-FXD .01UF +-20% 100VDC CER	28480	0160-3879
A6A1C34	0121-0449	9		CAPACITOR-V TRMR-CER 3.5-10PF 63V PC-MTG	28480	0121-0449
A6A1C35	0160-3879	7		CAPACITOR-FXD .01UF +-20% 100VDC CER	28480	0160-3879
A6A1C37	0160-3874	2		CAPACITOR-FXD 10PF +-5PF 200VDC CER	28480	0160-3874
A6A1C38	0121-0449	9		CAPACITOR-V TRMR-CER 3.5-10PF 63V PC-MTG	28480	0121-0449
A6A1C39	0160-3879	7		CAPACITOR-FXD .01UF +-20% 100VDC CER	28480	0160-3879
A6A1C40	0160-4521	8	1	CAPACITOR-FXD 12PF +-5% 200VDC CER 0+-30	28480	0160-4521
A6A1C41	0160-3879	7		CAPACITOR-FXD .01UF +-20% 100VDC CER	28480	0160-3879
A6A1C42	0160-3879	7		CAPACITOR-FXD .01UF +-20% 100VDC CER	28480	0160-3879
A6A1C43	0160-3879	7		CAPACITOR-FXD .01UF +-20% 100VDC CER	28480	0160-3879
A6A1C44	0160-4522	9	1	CAPACITOR-FXD 13PF +-5% 200VDC CER 0+-30	28480	0160-4522
A6A1C45	0160-3879	7		CAPACITOR-FXD .01UF +-20% 100VDC CER	28480	0160-3879

†Refer to Section 7 for update information.

*Factory Selected Component (Refer to Section 5).

Table 6-3. Replaceable Parts

Reference Designation	HP Part Number	C D	Qty.	Description	Mfr. Code	Mfr. Part Number
A4A4A6						
NOTE <i>The A4A4 Assembly and its sub-assemblies are not recommended for field repair.</i>						
A4A4A6	08663-60325	1	1	BOARD ASSEMBLY-PM MIXER OUTPUT	28480	08663-60325
A4A4A8C1	0160-3879	7		CAPACITOR-FXD .01UF +-20% 100VDC CER	28480	0160-3879
A4A4A8C2	0160-3873	1	4	CAPACITOR-FXD 4.7PF +-5PF 200VDC CER	28480	0160-3873
A4A4A8C3	0160-4389	6	30	CAPACITOR-FXD 100PF +-5PF 200VDC CER	28480	0160-4389
A4A4A8C4	0160-4787	4	3	CAPACITOR-FXD 20PF +-5% 200VDC CER 0+-30	28480	0160-4787
A4A4A8C5	0160-3874	2	9	CAPACITOR-FXD 10PF +-5PF 200VDC CER	28480	0160-3874
2234A TO 2537A A4A4A8C6	0160-4228	0		CAPACITOR-FXD 2.2PF +-25PF 100VDC CER	28854	2BN100S2R2C(D)
A4A4A8C7				NOT ASSIGNED		
2546A AND ABOVE A4A4A8C6	0160-5971	4		CAPACITOR-FXD 4.7PF 50VDC CER	28480	0160-5971
A4A4A8C7	0160-5971	4		CAPACITOR-FXD 4.7PF 50VDC CER	28480	0160-5971
A4A4A8CR1				NOT ASSIGNED		
A4A4A8CR2	1901-1096	9		DIODE-PIN	28480	1901-1096
A4A4A8CR3	1901-1096	9		DIODE-PIN	28480	1901-1096
A4A4A8L1	9100-3922	4		INDUCTOR-FIXED 120-1300 HZ	28480	9100-3922
A4A4A8L2	9100-3922	4		INDUCTOR-FIXED 120-1300 HZ	28480	9100-3922
A4A4A8L3	9100-3922	4		INDUCTOR-FIXED 120-1300 HZ	28480	9100-3922
A4A4A8L4	9100-3922	4		INDUCTOR-FIXED 120-1300 HZ	28480	9100-3922
A4A4A8L5	9135-0081	3	5	INDUCTOR RF-CH-MLD 68NH 5% .102DX.26LG	28480	9135-0081
A4A4A8L6	9135-0081	3		INDUCTOR RF-CH-MLD 68NH 5% .102DX.26LG	28480	9135-0081
A4A4A8Q1	1854-0720	3		TRANSISTOR NPN 6I PD=500MW FT=4GHZ	28480	1854-0720
A4A4A8R1	0698-7212	9	62	RESISTOR 100 1% .05W F TC=0+-100	24546	C3-1/8-T0-100R-F
A4A4A8R2	0698-3445	2	14	RESISTOR 348 1% .125W F TC=0+-100	24546	C4-1/8-T0-348R-F
A4A4A8R3	0757-1094	9		RESISTOR 1.47K 1% .125W F TC=0+-100	24546	C4-1/8-T0-1471-F
A4A4A8R4	0698-7253	8		RESISTOR 5.11K 1% .05W F TC=0+-100	24546	C3-1/8-T0-5111-F
2234A TO 2537A A4A4A8R5	0699-0130	8		RESISTOR 287 5% .1W C TC=0+-200	28480	0699-0130
2546A AND ABOVE A4A4A8R5				NOT ASSIGNED		

†Refer to Section 7 for update information.

*Factory Selected Component (Refer to Section 5).

Table 6-3. Replaceable Parts

Reference Designation	HP Part Number	C D	Qty.	Description	Mfr. Code	Mfr. Part Number
A4A5						
A4A5	06663-60310	4	1	PHASE MODULATION SECTION MOTHERBOARD	26480	06663-60310
A4A5C1	0160-3878	6		CAPACITOR-FXD 1000PF +-20% 100VDC CER	29480	0160-3878
A4A5C2	0160-3878	6		CAPACITOR-FXD 1000PF +-20% 100VDC CER	29480	0160-3878
A4A5C3	0160-3878	6		CAPACITOR-FXD 1000PF +-20% 100VDC CER	29480	0160-3878
A4A5C4	0160-3878	6		CAPACITOR-FXD 1000PF +-20% 100VDC CER	29480	0160-3878
A4A5C5	0160-3878	6		CAPACITOR-FXD 1000PF +-20% 100VDC CER	29480	0160-3878
A4A5C6	0160-3878	6		CAPACITOR-FXD 1000PF +-20% 100VDC CER	29480	0160-3878
A4A5C7	0160-3878	6		CAPACITOR-FXD 1000PF +-20% 100VDC CER	29480	0160-3878
A4A5C8	0180-0378	5	1	CAPACITOR-FXD .47UF+-10% 35VDC TA	56288	160D474X9035A2
A4A5C9	0180-3878	6		CAPACITOR-FXD 1000PF +-20% 100VDC CER	29480	0160-3878
A4A5C10	0180-3878	6		CAPACITOR-FXD 1000PF +-20% 100VDC CER	29480	0160-3878
A4A5C11	0180-3878	6		CAPACITOR-FXD 1000PF +-20% 100VDC CER	29480	0160-3878
A4A5C12	0160-3878	6		CAPACITOR-FXD 1000PF +-20% 100VDC CER	29480	0160-3878
A4A5C13	0160-3878	6		CAPACITOR-FXD 1000PF +-20% 100VDC CER	29480	0160-3878
A4A5E1	1251-0600	0		CONNECTOR-SGL CONT PIN 1,14-MM-BSC-SZ SQ	29480	1251-0600
A4A5E2	1251-0600	0		CONNECTOR-SGL CONT PIN 1,14-MM-BSC-SZ SQ	29480	1251-0600
A4A5E3	1251-0600	0		CONNECTOR-SGL CONT PIN 1,14-MM-BSC-SZ SQ	29480	1251-0600
A4A5E4	1251-0600	0		CONNECTOR-SGL CONT PIN 1,14-MM-BSC-SZ SQ	29480	1251-0600
A4A5E5	1251-0600	0		CONNECTOR-SGL CONT PIN 1,14-MM-BSC-SZ SQ	29480	1251-0600
A4A5J1	1250-0835	1	13	CONNECTOR-RF SMC M PC 50-OHM	29480	1250-0835
A4A5J2	1250-0835	1		CONNECTOR-RF SMC M PC 50-OHM	29480	1250-0835
A4A5J3	1200-0508	0	6	SOCKET-IC 14-CONT DIP-SLDR	29480	1200-0508
A4A5J4	1250-0835	1		CONNECTOR-RF SMC M PC 50-OHM	29480	1250-0835
A4A5J5	1200-0508	0		SOCKET-IC 14-CONT DIP-SLDR	29480	1200-0508
A4A5J6	1200-0907	9	3	SOCKET-IC 16-CONT DIP-SLDR	29480	1200-0507
A4A5J7	1251-5314	3	2	CONNECTOR 50-PIN POST SERIES	29480	1251-5314
A4A5L1	9140-0335	1	3	INDUCTOR 110UH 15% .47DX1.25LG Q-10	29480	9140-0335
	0360-0535	0	18	TERMINAL TEST POINT PCB	00000	ORDER BY DESCRIPTION
	0360-0535	0		TERMINAL TEST POINT PCB	00000	ORDER BY DESCRIPTION
	0360-0535	0		TERMINAL TEST POINT PCB	00000	ORDER BY DESCRIPTION
	0360-0535	0		TERMINAL TEST POINT PCB	00000	ORDER BY DESCRIPTION
A4A5XA4A1	1251-2582	1	2	CONNECTOR-PC EDGE 24-CONT/ROW 2-ROWS	29480	1251-2582
A4A5XA4A2	1251-2035	9	6	CONNECTOR-PC EDGE 15-CONT/ROW 2-ROWS	29480	1251-2035
A4A5XA4A3	1251-2035	9		CONNECTOR-PC EDGE 15-CONT/ROW 2-ROWS	29480	1251-2035

† Refer to Section 7 for update information.

* Factory Selected Component (Refer to Section 5.)

6-95/
(6-96 blank)

Table 6-3. Replaceable Parts

Reference Designation	HP Part Number	C D	Qty.	Description	Mfr. Code	Mfr. Part Number
A4A6						
<i>2234A ONLY</i> <i>A4A6</i>				NOT ASSIGNED		
<i>2245A AND ABOVE</i> <i>A4A6</i>	08663-80354	8	1	PRE-ATTENUATOR ASSY, OUTPUT SECTION (EXCEPT OPTION 002)	28480	08663-80354
A4A6J1	1250-1220	0	34	CONNECTOR-RF SMC M PC 50-OHM	28480	1250-1220
A4A6J2	1250-1220	0		CONNECTOR-RF SMC M PC 50-OHM	28480	1250-1220
A4A6MP1	08663-00040	1	1	SHIELD, COMPONENT	28480	08663-00040
	2190-0124	4		WASHER-LK INTL T NO. 10 .185-IN-ID	28480	2190-0124
	2360-0113	2	31	SCREW-MACH 6-32 .25-IN-LG PAN-HD-POZI	00000	ORDER BY DESCRIPTION
	2950-0078	9	41	NUT-HEX-DBL-CHAM 10-32-THD .067-IN-THK	28480	2950-0078
A4A6R1	0699-0129	5		RESISTOR 17.6 5% .1W C TC=0+-200	28480	0699-0129
A4A6R2	0699-0130	8		RESISTOR 287 5% .1W C TC=0+-200	28480	0699-0130
A4A6R3	0699-0130	8		RESISTOR 287 5% .1W C TC=0+-200	28480	0699-0130

† Refer to Section 7 for update information.

* Factory Selected Component (Refer to Section 5.)

6-97/
(6-78 blank)

Table 6-3. Replaceable Parts

Reference Designation	HP Part Number	C D	Qty.	Description	Mfr. Code	Mfr. Part Number
A5A1						
A5A1	06662-60146	3	1	ACCUMULATOR	28480	06662-60146
A5A1C1	0160-3879	7		CAPACITOR-FXD .01UF +-20% 100VDC CER	28480	0160-3879
A5A1C2	0160-3879	7		CAPACITOR-FXD .01UF +-20% 100VDC CER	28480	0160-3879
A5A1C3	0180-2208	6	7	CAPACITOR-FXD 220UF+-10% 10VDC TA	56289	150D227X9010S2
A5A1C4	0160-3456	6	14	CAPACITOR-FXD 1000PF +-10% 1KVDC CER	28480	0160-3456
A5A1C5	0160-3456	6		CAPACITOR-FXD 1000PF +-10% 1KVDC CER	28480	0160-3456
A5A1C6	0160-3456	6		CAPACITOR-FXD 1000PF +-10% 1KVDC CER	28480	0160-3456
A5A1C7	0160-3456	6		CAPACITOR-FXD 1000PF +-10% 1KVDC CER	28480	0160-3456
A5A1C8	0160-3456	6		CAPACITOR-FXD 1000PF +-10% 1KVDC CER	28480	0160-3456
A5A1C9	0160-3456	6		CAPACITOR-FXD 1000PF +-10% 1KVDC CER	28480	0160-3456
A5A1C10	0160-3456	6		CAPACITOR-FXD 1000PF +-10% 1KVDC CER	28480	0160-3456
A5A1C11	0160-3456	6		CAPACITOR-FXD 1000PF +-10% 1KVDC CER	28480	0160-3456
A5A1C12	0160-3456	6		CAPACITOR-FXD 1000PF +-10% 1KVDC CER	28480	0160-3456
A5A1C13	0160-3456	6		CAPACITOR-FXD 1000PF +-10% 1KVDC CER	28480	0160-3456
A5A1C14	0160-3456	6		CAPACITOR-FXD 1000PF +-10% 1KVDC CER	28480	0160-3456
A5A1C15	0160-3456	6		CAPACITOR-FXD 1000PF +-10% 1KVDC CER	28480	0160-3456
A5A1L1	9100-1618	1	2	INDUCTOR RF-CH-MLD 5.6UH 10%	28480	9100-1618
A5A1MP1	06662-00090	0	1	COVER- 1/2 END	28480	06662-00090
	2360-0113	2		SCREW-MACH 6-32 .25-IN-LG PAN-HD-POZI	00000	ORDER BY DESCRIPTION
A5A1MP2	5001-0173	7	2	STRAP, GROUND	28480	5001-0173
A5A1MP3	5001-0173	7		STRAP, GROUND	28480	5001-0173
A5A1R1	0698-3445	2		RESISTOR 348 1% .125W F TC=0+-100	24546	C4-1/8-T0-348R-F
A5A1R2	0698-3445	2		RESISTOR 348 1% .125W F TC=0+-100	24546	C4-1/8-T0-348R-F
A5A1R3	0698-3445	2		RESISTOR 348 1% .125W F TC=0+-100	24546	C4-1/8-T0-348R-F
A5A1R4	0698-3445	2		RESISTOR 348 1% .125W F TC=0+-100	24546	C4-1/8-T0-348R-F
A5A1R5	0698-3445	2		RESISTOR 348 1% .125W F TC=0+-100	24546	C4-1/8-T0-348R-F
A5A1R6	0698-3445	2		RESISTOR 348 1% .125W F TC=0+-100	24546	C4-1/8-T0-348R-F
A5A1R7	0698-3445	2		RESISTOR 348 1% .125W F TC=0+-100	24546	C4-1/8-T0-348R-F
A5A1R8	0698-3445	2		RESISTOR 348 1% .125W F TC=0+-100	24546	C4-1/8-T0-348R-F
A5A1R9	0698-3445	2		RESISTOR 348 1% .125W F TC=0+-100	24546	C4-1/8-T0-348R-F
A5A1R10	0698-3445	2		RESISTOR 348 1% .125W F TC=0+-100	24546	C4-1/8-T0-348R-F
A5A1R11	0698-3445	2		RESISTOR 348 1% .125W F TC=0+-100	24546	C4-1/8-T0-348R-F
A5A1R12	0698-3445	2		RESISTOR 348 1% .125W F TC=0+-100	24546	C4-1/8-T0-348R-F
A5A1R13	0698-3155	1	6	RESISTOR 4.84K 1% .125W F TC=0+-100	24546	C4-1/8-T0-4641-F
A5A1R14	0757-0994	0		RESISTOR 51.1 1% .125W F TC=0+-100	24546	C4-1/8-T0-51R1-F
A5A1R15	0757-0421	4	9	RESISTOR 825 1% .125W F TC=0+-100	24546	C4-1/8-T0-825R-F
A5A1R16	0757-0280	3	43	RESISTOR 1K 1% .125W F TC=0+-100	24546	C4-1/8-T0-1001-F
A5A1R17	0757-0280	3		RESISTOR 1K 1% .125W F TC=0+-100	24546	C4-1/8-T0-1001-F
A5A1R18	0698-3155	1		RESISTOR 4.64K 1% .125W F TC=0+-100	24546	C4-1/8-T0-4641-F
A5A1R19	0698-3155	1		RESISTOR 4.64K 1% .125W F TC=0+-100	24546	C4-1/8-T0-4641-F
A5A1R20	0757-0280	3		RESISTOR 1K 1% .125W F TC=0+-100	24546	C4-1/8-T0-1001-F
A5A1R21	0757-0280	3		RESISTOR 1K 1% .125W F TC=0+-100	24546	C4-1/8-T0-1001-F
A5A1R22	0698-3155	1		RESISTOR 4.64K 1% .125W F TC=0+-100	24546	C4-1/8-T0-4641-F
A5A1R23	0757-0280	3		RESISTOR 1K 1% .125W F TC=0+-100	24546	C4-1/8-T0-1001-F
A5A1R24	0757-0280	3		RESISTOR 1K 1% .125W F TC=0+-100	24546	C4-1/8-T0-1001-F
A5A1R25	0757-0280	3		RESISTOR 1K 1% .125W F TC=0+-100	24546	C4-1/8-T0-1001-F
A5A1R26	0757-0280	3		RESISTOR 1K 1% .125W F TC=0+-100	24546	C4-1/8-T0-1001-F

†Refer to Section 7 for update information.

*Factory Selected Component (Refer to Section 5).

Table 6-3. Replaceable Parts

Reference Designation	HP Part Number	C D	Qty.	Description	Mfr. Code	Mfr. Part Number
A5A1TP1	1251-0600	0		CONNECTOR-SGL CONT PIN 1.14-MM-BSC-SZ SQ	28480	1251-0600
A5A1TP1A	1251-0800	0	166	CONNECTOR-SGL CONT PIN 1.14-MM-BSC-SZ SQ	28480	1251-0600
A5A1TP2	1251-0600	0		CONNECTOR-SGL CONT PIN 1.14-MM-BSC-SZ SQ	28480	1251-0600
A5A1TP3	1251-0600	0		CONNECTOR-SGL CONT PIN 1.14-MM-BSC-SZ SQ	28480	1251-0600
A5A1TP4	1251-0600	0		CONNECTOR-SGL CONT PIN 1.14-MM-BSC-SZ SQ	28480	1251-0600
A5A1TP4A	1251-0800	0		CONNECTOR-SGL CONT PIN 1.14-MM-BSC-SZ SQ	28480	1251-0600
A5A1TP5	1251-0600	0		CONNECTOR-SGL CONT PIN 1.14-MM-BSC-SZ SQ	28480	1251-0600
A5A1TP6	1251-0600	0		CONNECTOR-SGL CONT PIN 1.14-MM-BSC-SZ SQ	28480	1251-0600
A5A1TP6A	1251-0600	0		CONNECTOR-SGL CONT PIN 1.14-MM-BSC-SZ SQ	28480	1251-0600
A5A1TP7	1251-0600	0		CONNECTOR-SGL CONT PIN 1.14-MM-BSC-SZ SQ	28480	1251-0600
A5A1TP8	1251-0600	0		CONNECTOR-SGL CONT PIN 1.14-MM-BSC-SZ SQ	28480	1251-0600
A5A1U1	1820-1251	6	5	IC CNTR TTL LS DECD ASYNCHRO	01295	SN74LS196N
A5A1U2	1820-1251	6		IC CNTR TTL LS DECD ASYNCHRO	01295	SN74LS196N
A5A1U3	1820-1193	5	1	IC CNTR TTL LS BIN ASYNCHRO	01295	SN74LS197N
A5A1U4	1820-0686	9	4	IC GATE TTL S AND TPL 3-INP	01295	SN74S11N
A5A1U5	1820-1195	7	2	IC FF TTL LS D-TYPE POS-EDGE-TRIG COM	01295	SN74LS175N
A5A1U6	08862-86082	0	1	PROM, PROGRAMMED	28480	08862-86082
A5A1U7	1820-1300	6	2	IC SHF-RGTR TTL LS R-S PRL-IN PRL-OUT	01295	SN74LS195AN
A5A1U8	1820-0629	0	3	IC FF TTL S J-K NEG-EDGE-TRIG	01295	SN74S112N
A5A1U9	1820-1195	7		IC FF TTL LS D-TYPE POS-EDGE-TRIG COM	01295	SN74LS175N
A5A1U10	1820-1300	6		IC SHF-RGTR TTL LS R-S PRL-IN PRL-OUT	01295	SN74LS195AN
A5A1U11	1820-1112	8	4	IC FF TTL LS D-TYPE POS-EDGE-TRIG	01295	SN74LS74AN
A5A1U12	1820-0685	8	1	IC GATE TTL S NAND TPL 3-INP	01295	SN74S10N
A5A1U13	1820-1112	8		IC FF TTL LS D-TYPE POS-EDGE-TRIG	01295	SN74LS74AN
A5A1U14	1820-1777	1	1	IC ADDR TTL S BCD 4-BIT	18324	N82S83N
A5A1U15	1820-1244	7	3	IC MUXR/DATA-SEL TTL LS 4-TO-1-LINE DUAL	01295	SN74LS153N
A5A1U16	1820-1244	7		IC MUXR/DATA-SEL TTL LS 4-TO-1-LINE DUAL	01295	SN74LS153N

†Refer to Section 7 for update information.

*Factory Selected Component (Refer to Section 5).

Table 6-3. Replaceable Parts

Reference Designation	HP Part Number	C D	Qty.	Description	Mfr. Code	Mfr. Part Number
A5A2						
A5A2	08662-60148	5	1	N/DIVIDER ASSEMBLY	28480	08662-60148
A5A2C1	0160-3879	7		CAPACITOR-FXD .01UF +-20% 100VDC CER	28480	0160-3879
A5A2C2	0180-2208	6		CAPACITOR-FXD 220UF +-10% 10VDC TA	56289	150D227X8010S2
A5A2C3	0160-3879	7		CAPACITOR-FXD .01UF +-20% 100VDC CER	28480	0160-3879
A5A2C4	0160-3879	7		CAPACITOR-FXD .01UF +-20% 100VDC CER	28480	0160-3879
A5A2C5	0160-4747	0	34	CAPACITOR-FXD 1000PF +-20% 100VDC CER	51642	200-100-X7R-102M
A5A2C6	0160-3879	7		CAPACITOR-FXD .01UF +-20% 100VDC CER	28480	0160-3879
A5A2C7	0160-3879	7		CAPACITOR-FXD .01UF +-20% 100VDC CER	28480	0160-3879
A5A2C8	0160-3879	7		CAPACITOR-FXD .01UF +-20% 100VDC CER	28480	0160-3879
A5A2C9	0160-4747	0		CAPACITOR-FXD 1000PF +-20% 100VDC CER	51642	200-100-X7R-102M
A5A2C10	0160-4747	0		CAPACITOR-FXD 1000PF +-20% 100VDC CER	51642	200-100-X7R-102M
A5A2C11	0160-4747	0		CAPACITOR-FXD 1000PF +-20% 100VDC CER	51642	200-100-X7R-102M
A5A2C12	0160-4747	0		CAPACITOR-FXD 1000PF +-20% 100VDC CER	51642	200-100-X7R-102M
A5A2C13	0160-4747	0		CAPACITOR-FXD 1000PF +-20% 100VDC CER	51642	200-100-X7R-102M
A5A2C14	0160-4747	0		CAPACITOR-FXD 1000PF +-20% 100VDC CER	51642	200-100-X7R-102M
A5A2C15	0160-4747	0		CAPACITOR-FXD 1000PF +-20% 100VDC CER	51642	200-100-X7R-10MM
A5A2C16	0160-4747	0		CAPACITOR-FXD 1000PF +-20% 100VDC CER	51642	200-100-X7R-102M
A5A2C17	0160-4747	0		CAPACITOR-FXD 1000PF +-20% 100VDC CER	51642	200-100-X7R-102M
A5A2C18	0160-4747	0		CAPACITOR-FXD 1000PF +-20% 100VDC CER	51642	200-100-X7R-102M
A5A2C19	0160-4747	0		CAPACITOR-FXD 1000PF +-20% 100VDC CER	51642	200-100-X7R-102M
A5A2C20	0160-4747	0		CAPACITOR-FXD 1000PF +-20% 100VDC CER	51642	200-100-X7R-102M
A5A2C21	0160-3877	5		CAPACITOR-FXD 100PF +-20% 200VDC CER	28480	0160-3877
A5A2CR1	1901-0518	8	23	DIODE-SM SIG SCHÖTTKY	28480	1901-0518
A5A2CR2	1901-0518	8		DIODE-SM SIG SCHÖTTKY	28480	1901-0518
A5A2CR3	1901-0039	8	3	DIODE-SWITCHING 50V 300MA 8NS	28480	1901-0039
A5A2CR4	1901-0039	8		DIODE-SWITCHING 50V 300MA 8NS	28480	1901-0039
A5A2J1	1250-1220	0		CONNECTOR-RF SMC M PC 50-OHM	28480	1250-1220
	2190-0124	4		WASHER-LK INTL T NO. 10 .195-IN-ID	28480	2190-0124
	2950-0078	9		NUT-HEX-DBL-CHAM 10-32-THD .067-IN-THK	28480	2950-0078
A5A2L1	9100-1618	1		INDUCTOR RF-CH-MLD 5.6UH 10%	28480	9100-1618
A5A2L2	9140-0158	6	5	INDUCTOR RF-CH-MLD 1UH 10% .105DX,26LG	28480	9140-0158
A5A2L3	9140-0158	6		INDUCTOR RF-CH-MLD 1UH 10% .105DX,26LG	28480	9140-0158
A5A2MP1	08662-00091	1	1	COVER- 1/2 END	28480	08662-00091
	2360-0113	2		SCREW-MACH 6-32 .25-IN-LG PAN-ND-POZI	00000	ORDER BY DESCRIPTION
A5A2MP2	5001-0176	0	37	STRAP, GROUND	28480	5001-0176
A5A2MP3	5001-0176	0		STRAP, GROUND	28480	5001-0176
A5A2MP4	08662-00041	1	7	SHIELD, COMPONENT, LARGE	28480	08662-00041
A5A2R1	0698-7205	0		RESISTOR 51.1 1% .05W F TC=0+-100	24546	C3-1/8-T0-51R1-F
A5A2R2	0699-3132	4		RESISTOR 281 1% .125W F TC=0+-100	24546	C4-1/8-T0-2810-F
A5A2R3	0757-0420	3	11	RESISTOR 750 1% .125W F TC=0+-100	24546	C4-1/8-T0-751-F
A5A2R4	0757-0280	3		RESISTOR 1K 1% .125W F TC=0+-100	24546	C4-1/8-T0-1001-F
A5A2R5	0757-0280	3		RESISTOR 1K 1% .125W F TC=0+-100	24546	C4-1/8-T0-1001-F
A5A2R6	0698-3439	4	6	RESISTOR 178 1% .125W F TC=0+-100	24546	C4-1/8-T0-178R-F

† Refer to Section 7 for update information.

* Factory Selected Component (Refer to Section 5.)

Table 6-3. Replaceable Parts

Reference Designation	HP Part Number	C D	Qty.	Description	Mfr. Code	Mfr. Part Number
A5A2R7	0698-3132	4	8	RESISTOR 281 1% .125W F TC=0+-100	24546	C4-1/B-T0-2810-F
A5A2R8	0757-0444	1		RESISTOR 12.1K 1% .125W F TC=0+-100	24546	C4-1/B-T0-1212-F
A5A2R9	0757-0421	4		RESISTOR 625 1% .125W F TC=0+-100	24546	C4-1/B-T0-825R-F
A5A2R10	0698-3155	1		RESISTOR 4.84K 1% .125W F TC=0+-100	24546	C4-1/B-T0-4641-F
A5A2R11	0698-3132	4		RESISTOR 281 1% .125W F TC=0+-100	24546	C4-1/B-T0-2810-F
A5A2R12	0698-3155	1	13	RESISTOR 4.84K 1% .125W F TC=0+-100	24546	C4-1/B-T0-4641-F
A5A2R13	0698-7225	4		RESISTOR 348 1% .05W F TC=0+-100	24546	C3-1/B-T0-348R-F
A5A2R14	0698-7225	4		RESISTOR 348 1% .05W F TC=0+-100	24546	C3-1/B-T0-348R-F
A5A2R15	0698-7225	4		RESISTOR 348 1% .05W F TC=0+-100	24546	C3-1/B-T0-348R-F
A5A2R16	0698-7225	4		RESISTOR 348 1% .05W F TC=0+-100	24546	C3-1/B-T0-348R-F
A5A2R17	0698-7225	4	9	RESISTOR 348 1% .05W F TC=0+-100	24546	C3-1/B-T0-348R-F
A5A2R18	0698-7225	4		RESISTOR 348 1% .05W F TC=0+-100	24546	C3-1/B-T0-348R-F
A5A2R19	0698-7232	3		RESISTOR 681 1% .05W F TC=0+-100	24546	C3-1/B-T0-681R-F
A5A2R20	0698-7232	3		RESISTOR 681 1% .05W F TC=0+-100	24546	C3-1/B-T0-681R-F
A5A2R21	0698-7232	3		RESISTOR 681 1% .05W F TC=0+-100	24546	C3-1/B-T0-681R-F
A5A2R22	0698-7232	3	3	RESISTOR 681 1% .05W F TC=0+-100	24546	C3-1/B-T0-681R-F
A5A2R23	0698-7232	3		RESISTOR 681 1% .05W F TC=0+-100	24546	C3-1/B-T0-681R-F
A5A2R24	0698-7232	3		RESISTOR 681 1% .05W F TC=0+-100	24546	C3-1/B-T0-681R-F
A5A2TP1	1251-0600	0	0	CONNECTOR-SGL CONT PIN 1.14-MM-BSC-SZ SQ	28480	1251-0600
A5A2TP2	1251-0600	0		CONNECTOR-SGL CONT PIN 1.14-MM-BSC-SZ SQ	28480	1251-0600
A5A2TP3	1251-0600	0		CONNECTOR-SGL CONT PIN 1.14-MM-BSC-SZ SQ	28480	1251-0600
A5A2TP4	1251-0600	0		CONNECTOR-SGL CONT PIN 1.14-MM-BSC-SZ SQ	28480	1251-0600
A5A2TP4A	1251-0600	0		CONNECTOR-SGL CONT PIN 1.14-MM-BSC-SZ SQ	28480	1251-0600
A5A2TP5	1251-0600	0	CONNECTOR-SGL CONT PIN 1.14-MM-BSC-SZ SQ	28480	1251-0600	
A5A2U1	1820-3517	1	2	IC DIVR ECL VAR-MODULO	28480	1820-3517
A5A2U2	1820-0696	9	3	IC GATE TTL S AND TPL 3-INP	01295	SN74S11N
A5A2U3	1820-0629	0		IC FF TTL S J-K NEG-EDGE-TRIG	01295	SN74S112N
A5A2U4	1820-1322	2		IC GATE TTL S NOR QUAD 2-INP	01295	SN74S02N
A5A2U5	1820-0686	9	2	IC GATE TTL S AND TPL 3-INP	01295	SN74S11N
A5A2U6	1820-2049	2		IC CNTR TTL LS DECD ASYNCHRO PRESET	04713	SN74LS196N
A5A2U7	1820-0629	0		IC FF TTL S J-K NEG-EDGE-TRIG	01295	SN74S112N
A5A2U8	1820-2049	2		IC CNTR TTL LS DECD ASYNCHRO PRESET	04713	SN74LS196N
A5A2U9	1820-1251	6		IC CNTR TTL LS DECD ASYNCHRO	01295	SN74LS196N

† Refer to Section 7 for update information.

* Factory Selected Component (Refer to Section 5.)

Table 6-3. Replaceable Parts

Reference Designation	HP Part Number	C D	Qty.	Description	Mfr. Code	Mfr. Part Number
A5A3						
A5A3	08662-60147	4	1	FRACTIONAL-N LOOP PHASE DETECTOR	28480	08662-60147
A5A3C1	0160-3456	6		CAPACITOR-FXD 1000PF +-10% 1KVDC CER	28480	0160-3456
A5A3C2	0180-0116	1	16	CAPACITOR-FXD 6.8UF+-10% 35VDC TA	56289	150D685X9035B2
A5A3C3	0180-0229	7	3	CAPACITOR-FXD 33UF+-10% 10VDC TA	56289	150D336X9010B2
A5A3C4	0180-0197	8	17	CAPACITOR-FXD 2.2UF+-10% 20VDC TA	56289	150D225X9020A2
A5A3C5	0180-1731	8	3	CAPACITOR-FXD 4.7UF+-10% 50VDC TA	56289	150D475X9050B2
A5A3C6	0180-0197	8		CAPACITOR-FXD 2.2UF+-10% 20VDC TA	56289	150D225X9020A2
A5A3C7	0180-1731	8		CAPACITOR-FXD 4.7UF+-10% 50VDC TA	56289	150D475X9050B2
A5A3C8	0180-3877	5		CAPACITOR-FXD 100PF +-20% 200VDC CER	28480	0160-3877
A5A3C9	0180-3877	5		CAPACITOR-FXD 100PF +-20% 200VDC CER	28480	0160-3877
A5A3C10	0180-0116	1		CAPACITOR-FXD 6.8UF+-10% 35VDC TA	56289	150D685X9035B2
A5A3C11	0160-3456	6		CAPACITOR-FXD 1000PF +-10% 1KVDC CER	28480	0160-3456
A5A3C12	0160-2055	9	22	CAPACITOR-FXD .01UF +80-20% 100VDC CER	28480	0160-2055
A5A3C13	0160-2055	9		CAPACITOR-FXD .01UF +80-20% 100VDC CER	28480	0160-2055
A5A3C14	0160-2055	9		CAPACITOR-FXD .01UF +80-20% 100VDC CER	28480	0160-2055
A5A3C15	0160-2055	9		CAPACITOR-FXD .01UF +80-20% 100VDC CER	28480	0160-2055
A5A3C16	0160-0159	0	1	CAPACITOR-FXD 6800PF +-10% 200VDC POLYE	28480	0160-0159
A5A3C17	0160-3466	8	2	CAPACITOR-FXD 100PF +-10% 1KVDC CER	28480	0160-3466
A5A3C18	0160-2055	9		CAPACITOR-FXD .01UF +80-20% 100VDC CER	28480	0160-2055
A5A3C19	0160-2055	9		CAPACITOR-FXD .01UF +80-20% 100VDC CER	28480	0160-2055
A5A3C20	0160-2055	9		CAPACITOR-FXD .01UF +80-20% 100VDC CER	28480	0160-2055
A5A3C21	0160-0157	8	2	CAPACITOR-FXD 4700PF +-10% 200VDC POLYE	28480	0160-0157
A5A3C22	0180-0197	8		CAPACITOR-FXD 2.2UF+-10% 20VDC TA	56289	150D225X9020A2
A5A3C23	0180-0197	8		CAPACITOR-FXD 2.2UF+-10% 20VDC TA	56289	150D225X9020A2
A5A3C24	0160-2055	9		CAPACITOR-FXD .01UF +80-20% 100VDC CER	28480	0160-2055
A5A3C25	0160-2055	9		CAPACITOR-FXD .01UF +80-20% 100VDC CER	28480	0160-2055
A5A3C26	0160-2055	9		CAPACITOR-FXD .01UF +80-20% 100VDC CER	28480	0160-2055
A5A3C27	0160-2055	9		CAPACITOR-FXD .01UF +80-20% 100VDC CER	28480	0160-2055
A5A3C28	0160-2055	9		CAPACITOR-FXD .01UF +80-20% 100VDC CER	28480	0160-2055
A5A3C29	0160-2055	9		CAPACITOR-FXD .01UF +80-20% 100VDC CER	28480	0160-2055
A5A3C30	0160-2055	9		CAPACITOR-FXD .01UF +80-20% 100VDC CER	28480	0160-2055
A5A3C31	0180-0116	1		CAPACITOR-FXD 6.8UF+-10% 35VDC TA	56289	150D685X9035B2
A5A3C32	0160-0161	4	3	CAPACITOR-FXD .01UF +-10% 200VDC POLYE	28480	0160-0161
A5A3C33	0180-0291	3	9	CAPACITOR-FXD 1UF+-10% 35VDC TA	56289	150D105X9035A2
A5A3C34	0180-2219	7	1	CAPACITOR-FXD 1100PF +-5% 300VDC MICA	28480	0160-2219
A5A3C35	0180-0291	3		CAPACITOR-FXD 1UF+-10% 35VDC TA	56289	150D105X9035A2
A5A3C36	0160-2250	6	1	CAPACITOR-FXD 5.1PF +-25PF 500VDC CER	28480	0160-2250
A5A3C37	0160-2199	2	1	CAPACITOR-FXD 30PF +-5% 300VDC MICA	28480	0160-2199
A5A3C38	0180-0197	8		CAPACITOR-FXD 2.2UF+-10% 20VDC TA	56289	150D225X9020A2
A5A3C39	0180-0116	1		CAPACITOR-FXD 6.8UF+-10% 35VDC TA	56289	150D685X9035B2
A5A3C40	0180-1731	8		CAPACITOR-FXD 4.7UF+-10% 50VDC TA	56289	150D475X9050B2
A5A3C41	0160-2055	9		CAPACITOR-FXD .01UF +80-20% 100VDC CER	28480	0160-2055
A5A3C42	0180-0197	8		CAPACITOR-FXD 2.2UF+-10% 20VDC TA	56289	150D225X9020A2
A5A3C43	0180-0197	8		CAPACITOR-FXD 2.2UF+-10% 20VDC TA	56289	150D225X9020A2
A5A3C44	0160-2055	9		CAPACITOR-FXD .01UF +80-20% 100VDC CER	28480	0160-2055
A5A3C45	0180-0197	8		CAPACITOR-FXD 2.2UF+-10% 20VDC TA	56289	150D225X9020A2

† Refer to Section 7 for update information.

* Factory Selected Component (Refer to Section 5.)

Table 6-3. Replaceable Parts

Reference Designation	HP Part Number	C D	Qty.	Description	Mfr. Code	Mfr. Part Number
A5A3C46	0180-0197	8	1	CAPACITOR-FXD 2.2UF+-10% 20VDC TA	56289	150D225X9020A2
A5A3C47	0180-2225	5		CAPACITOR-FXD 2000PF +-5% 300VDC MICA	28480	0160-2225
A5A3C48	0180-0291	3		CAPACITOR-FXD 1UF+-10% 35VDC TA	56289	150D105X9035A2
A5A3C49	0180-0291	3		CAPACITOR-FXD 1UF+-10% 35VDC TA	56289	150D105X9035A2
A5A3CR1	1901-0040	1	33	DIODE-SWITCHING 30V 50MA 2NS DO-35	28480	1901-0040
A5A3CR2	1901-0040	1		DIODE-SWITCHING 30V 50MA 2NS DO-35	28480	1901-0040
A5A3CR3	1901-0040	1		DIODE-SWITCHING 30V 50MA 2NS DO-35	28480	1901-0040
A5A3CR4	1901-0040	1		DIODE-SWITCHING 30V 50MA 2NS DO-35	28480	1901-0040
A5A3CR5	1901-0040	1		DIODE-SWITCHING 30V 50MA 2NS DO-35	28480	1901-0040
A5A3CR6	1901-0040	1		DIODE-SWITCHING 30V 50MA 2NS DO-35	28480	1901-0040
A5A3CR7	1901-0040	1		DIODE-SWITCHING 30V 50MA 2NS DO-35	28480	1901-0040
A5A3CR8	1901-0040	1		DIODE-SWITCHING 30V 50MA 2NS DO-35	28480	1901-0040
A5A3CR9	1901-0040	1		DIODE-SWITCHING 30V 50MA 2NS DO-35	28480	1901-0040
A5A3CR10	1901-0040	1		DIODE-SWITCHING 30V 50MA 2NS DO-35	28480	1901-0040
A5A3CR11	1901-0040	1	32	DIODE-SWITCHING 30V 50MA 2NS DO-35	28480	1901-0040
A5A3CR12	1901-0539	3		DIODE-SM SIG SCHOTTKY	28480	1901-0539
A5A3CR13	1901-0539	3		DIODE-SM SIG SCHOTTKY	28480	1901-0539
A5A3CR14	1901-0539	3		DIODE-SM SIG SCHOTTKY	28480	1901-0539
A5A3CR15	1901-0539	3		DIODE-SM SIG SCHOTTKY	28480	1901-0539
A5A3CR16	1901-0539	3		DIODE-SM SIG SCHOTTKY	28480	1901-0539
A5A3CR17	1901-0539	3		DIODE-SM SIG SCHOTTKY	28480	1901-0539
A5A3CR18	1901-0539	3		DIODE-SM SIG SCHOTTKY	28480	1901-0539
A5A3CR19	1901-0539	3		DIODE-SM SIG SCHOTTKY	28480	1901-0539
A5A3CR20	1901-0539	3		DIODE-SM SIG SCHOTTKY	28480	1901-0539
A5A3CR21	1901-0539	3	DIODE-SM SIG SCHOTTKY	28480	1901-0539	
A5A3CR22	1901-0040	1	DIODE-SWITCHING 30V 50MA 2NS DO-35	28480	1901-0040	
A5A3CR23	1901-0539	3	DIODE-SM SIG SCHOTTKY	28480	1901-0539	
A5A3CR24	1901-0539	3	DIODE-SM SIG SCHOTTKY	28480	1901-0539	
A5A3CR25	1901-0539	3	DIODE-SM SIG SCHOTTKY	28480	1901-0539	
A5A3CR26	1901-0539	3	DIODE-SM SIG SCHOTTKY	28480	1901-0539	
A5A3CR27	1901-0539	3	DIODE-SM SIG SCHOTTKY	28480	1901-0539	
A5A3CR28	1901-0539	3	DIODE-SM SIG SCHOTTKY	28480	1901-0539	
A5A3DS1	1990-0326	3	5	LED-LAMP LUM-INT=300UCD IF=50MA-MAX	28480	5082-4444
A5A3L1	9140-0144	0	4	INDUCTOR RF-CH-MLD 4.7UH 10% .105DX.28LG	28480	9140-0144
A5A3L2	9100-1626	1	7	INDUCTOR RF-CH-MLD 36UH 5% .166DX.385LG	28480	9100-1626
A5A3L3	9100-1626	1		INDUCTOR RF-CH-MLD 36UH 5% .166DX.385LG	28480	9100-1626
A5A3L4	9100-1626	1		INDUCTOR RF-CH-MLD 36UH 5% .166DX.385LG	28480	9100-1626
A5A3L5	9100-1626	1		INDUCTOR RF-CH-MLD 36UH 5% .166DX.385LG	28480	9100-1626
A5A3L6	9100-1626	1		INDUCTOR RF-CH-MLD 36UH 5% .166DX.385LG	28480	9100-1626
A5A3L7	9100-1626	1	INDUCTOR RF-CH-MLD 36UH 5% .166DX.385LG	28480	9100-1626	
A5A3MP1	08662-00102	5	1	COVER, EXTRUSION FULL	28480	08662-00102
A5A3MP2	2360-0113	2		SCREW-MACH 6-32 .25-IN-LG PAN-HD.POZI	00000	ORDER BY DESCRIPTION
A5A3MP3	5001-0176	0		STRAP, GROUND	28480	5001-0176
A5A3MP3	5001-0176	0	STRAP, GROUND	28480	5001-0176	
A5A3Q1	1953-0007	7	20	TRANSISTOR PNP 2N3251 SI TO-18 PD=360MW	04713	2N3251

† Refer to Section 7 for update information.

* Factory Selected Component (Refer to Section 5.)

Table 6-3. Replaceable Parts

Reference Designation	HP Part Number	C D	Qty.	Description	Mfr. Code	Mfr. Part Number
A5A3Q2	1853-0007	7		TRANSISTOR PNP 2N3251 SI TO-18 PD-360MW	04713	2N3251
A5A3Q3	1853-0007	7		TRANSISTOR PNP 2N3251 SI TO-18 PD-360MW	04713	2N3251
A5A3Q4	1855-0091	1	2	TRANSISTOR J-FET N-CHAN D-MODE SI	28480	1855-0091
A5A3Q5	1854-0210	6	9	TRANSISTOR NPN 2N2222 SI TO-18 PD-500MW	04713	2N2222
A5A3Q6	1853-0012	4	29	TRANSISTOR PNP 2N2904A SI TO-39 PD-600MW	01295	2N2904A
A5A3Q7	1854-0013	7	1	TRANSISTOR NPN 2N2218A SI TO-5 PD-800MW	04713	2N2218A
A5A3Q8	1853-0007	7		TRANSISTOR PNP 2N3251 SI TO-18 PD-360MW	04713	2N3251
A5A3Q9	1855-0081	1		TRANSISTOR J-FET N-CHAN D-MODE SI	28480	1855-0081
A5A3Q10	1853-0007	7		TRANSISTOR PNP 2N3251 SI TO-18 PD-360MW	04713	2N3251
A5A3Q11	1854-0210	6		TRANSISTOR NPN 2N2222 SI TO-18 PD-500MW	04713	2N2222
A5A3Q12	1854-0023	9	1	TRANSISTOR NPN SI TO-18 PD-360MW	26480	1854-0023
A5A3Q13	1853-0007	7		TRANSISTOR PNP 2N3251 SI TO-18 PD-360MW	04713	2N3251
A5A3Q14	1853-0007	7		TRANSISTOR PNP 2N3251 SI TO-18 PD-360MW	04713	2N3251
A5A3Q15	1853-0007	7		TRANSISTOR PNP 2N3251 SI TO-18 PD-360MW	04713	2N3251
A5A3R1	0757-0401	0	38	RESISTOR 100 1% .125W F TC-0+-100	24546	C4-1/8-T0-101-F
A5A3R2	0757-0401	0		RESISTOR 100 1% .125W F TC-0+-100	24546	C4-1/8-T0-101-F
A5A3R3	0757-0444	1		RESISTOR 12.1K 1% .125W F TC-0+-100	24546	C4-1/8-T0-1212-F
A5A3R4	0757-0444	1		RESISTOR 12.1K 1% .125W F TC-0+-100	24546	C4-1/8-T0-1212-F
A5A3R5	0698-3154	0	8	RESISTOR 4.22K 1% .125W F TC-0+-100	24546	C4-1/8-T0-4221-F
A5A3R6	0698-3154	0		RESISTOR 4.22K 1% .125W F TC-0+-100	24546	C4-1/8-T0-4221-F
A5A3R7	0757-0401	0		RESISTOR 100 1% .125W F TC-0+-100	24546	C4-1/8-T0-101-F
A5A3R8	0757-0416	7		RESISTOR 511 1% .125W F TC-0+-100	24546	C4-1/8-T0-511R-F
A5A3R9	0757-0401	0		RESISTOR 100 1% .125W F TC-0+-100	24546	C4-1/8-T0-101-F
A5A3R10	0757-0280	3		RESISTOR 1K 1% .125W F TC-0+-100	24546	C4-1/8-T0-1001-F
A5A3R11	0757-0421	4		RESISTOR 825 1% .125W F TC-0+-100	24546	C4-1/8-T0-825R-F
A5A3R12	0757-0401	0		RESISTOR 100 1% .125W F TC-0+-100	24546	C4-1/8-T0-101-F
A5A3R13	0757-0401	0		RESISTOR 100 1% .125W F TC-0+-100	24546	C4-1/8-T0-101-F
A5A3R14	0698-3447	4	2	RESISTOR 422 1% .125W F TC-0+-100	24546	C4-1/8-T0-422R-F
A5A3R15	0757-0417	8	3	RESISTOR 562 1% .125W F TC-0+-100	24546	C4-1/8-T0-562R-F
A5A3R16	0698-3150	8	11	RESISTOR 2.37K 1% .125W F TC-0+-100	24546	C4-1/8-T0-2371-F
A5A3R17	0698-3150	8		RESISTOR 2.37K 1% .125W F TC-0+-100	24546	C4-1/8-T0-2371-F
A5A3R18	0757-0401	0		RESISTOR 100 1% .125W F TC-0+-100	24546	C4-1/8-T0-101-F
A5A3R19	0757-0401	0		RESISTOR 100 1% .125W F TC-0+-100	24546	C4-1/8-T0-101-F
A5A3R20	0757-0317	7	7	RESISTOR 1.33K 1% .125W F TC-0+-100	24546	C4-1/8-T0-1331-F
A5A3R21	0757-0317	7		RESISTOR 1.33K 1% .125W F TC-0+-100	24546	C4-1/8-T0-1331-F
A5A3R22	0698-3136	8	5	RESISTOR 17.8K 1% .125W F TC-0+-100	24546	C4-1/8-T0-1782-F
A5A3R23	0698-3136	8		RESISTOR 17.8K 1% .125W F TC-0+-100	24546	C4-1/8-T0-1782-F
A5A3R24	0757-0401	0		RESISTOR 100 1% .125W F TC-0+-100	24546	C4-1/8-T0-101-F
A5A3R25	0757-0401	0		RESISTOR 100 1% .125W F TC-0+-100	24546	C4-1/8-T0-101-F
A5A3R26	0757-0199	3	7	RESISTOR 21.5K 1% .125W F TC-0+-100	24546	C4-1/8-T0-2152-F
A5A3R27	0757-0199	3		RESISTOR 21.5K 1% .125W F TC-0+-100	24546	C4-1/8-T0-2152-F
A5A3R28	0698-3409	8	3	RESISTOR 2.37K 1% .5W F TC-0+-100	28480	0698-3409
A5A3R29	0698-3409	8		RESISTOR 2.37K 1% .5W F TC-0+-100	28480	0698-3409
A5A3R30	0698-0094	9	24	RESISTOR 2.15K 1% .125W F TC-0+-100	24546	C4-1/8-T0-2151-F
A5A3R31	0698-0084	9		RESISTOR 2.15K 1% .125W F TC-0+-100	24546	C4-1/8-T0-2151-F
A5A3R32	0698-0084	9		RESISTOR 2.15K 1% .125W F TC-0+-100	24546	C4-1/8-T0-2151-F
A5A3R33	0698-0084	9		RESISTOR 2.15K 1% .125W F TC-0+-100	24546	C4-1/8-T0-2151-F
A5A3R34	0698-3153	8	8	RESISTOR 3.83K 1% .125W F TC-0+-100	24546	C4-1/8-T0-3831-F
A5A3R35	0757-0440	7	12	RESISTOR 7.5K 1% .125W F TC-0+-100	24546	C4-1/8-T0-7501-F

† Refer to Section 7 for update information.

* Factory Selected Component (Refer to Section 5.)

Table 6-3. Replaceable Parts

Reference Designation	HP Part Number	C D	Qty.	Description	Mfr. Code	Mfr. Part Number
A5A3R36	0698-3154	0		RESISTOR 4.22K 1% .125W F TC=0+-100	24546	C4-1/B-T0-4221-F
A5A3R37	0757-0428	1	10	RESISTOR 1.62K 1% .125W F TC=0+-100	24546	C4-1/B-T0-1621-F
A5A3R38	0757-0441	8	2	RESISTOR 8.25K 1% .125W F TC=0+-100	24546	C4-1/B-T0-8251-F
A5A3R39	2100-3109	2	5	RESISTOR-TRMR 2K 10% C SIDE-ADJ 17-TRN	02111	43P202
A5A3R40	2100-3123	0	2	RESISTOR-TRMR 500 10% C SIDE-ADJ 17-TRN	02111	43P501
A5A3R41	0698-3153	9		RESISTOR 3.93K 1% .125W F TC=0+-100	24546	C4-1/B-T0-3931-F
A5A3R42	0698-3439	4		RESISTOR 179 1% .125W F TC=0+-100	24546	C4-1/B-T0-179R-F
A5A3R43	0698-3441	8	7	RESISTOR 215 1% .125W F TC=0+-100	24546	C4-1/B-T0-215R-F
A5A3R44	0698-3441	8		RESISTOR 215 1% .125W F TC=0+-100	24546	C4-1/B-T0-215R-F
A5A3R45	0698-3158	4	3	RESISTOR 23.7K 1% .125W F TC=0+-100	24546	C4-1/B-T0-2372-F
A5A3R46	0698-3440	7	8	RESISTOR 198 1% .125W F TC=0+-100	24546	C4-1/B-T0-198R-F
A5A3R47	0757-0401	0		RESISTOR 100 1% .125W F TC=0+-100	24546	C4-1/B-T0-101-F
A5A3R48	0698-4037	0	4	RESISTOR 46.4 1% .125W F TC=0+-100	24546	C4-1/B-T0-46R4-F
A5A3R49	0698-3157	3	3	RESISTOR 18.6K 1% .125W F TC=0+-100	24546	C4-1/B-T0-1962-F
A5A3R50	0757-0465	6	6	RESISTOR 100K 1% .125W F TC=0+-100	24546	C4-1/B-T0-1003-F
A5A3R51	0698-3260	9	3	RESISTOR 464K 1% .125W F TC=0+-100	29480	0598-3260
A5A3R52	0757-0459	7	6	RESISTOR 51.1K 1% .125W F TC=0+-100	24546	C4-1/B-T0-5112-F
A5A3R53	0757-0459	7		RESISTOR 51.1K 1% .125W F TC=0+-100	24546	C4-1/B-T0-5112-F
A5A3R54	0757-0288	1	3	RESISTOR 9.09K 1% .125W F TC=0+-100	19701	MF4C1/B-T0-9091-F
A5A3R55	0757-0401	0		RESISTOR 100 1% .125W F TC=0+-100	24546	C4-1/B-T0-101-F
A5A3R56	0757-0444	1		RESISTOR 12.1K 1% .125W F TC=0+-100	24546	C4-1/B-T0-1212-F
A5A3R57	0757-0465	6		RESISTOR 100K 1% .125W F TC=0+-100	24546	C4-1/B-T0-1003-F
A5A3R58	0757-0280	3		RESISTOR 1K 1% .125W F TC=0+-100	24546	C4-1/B-T0-1001-F
A5A3R59	0698-0084	9		RESISTOR 2.15K 1% .125W F TC=0+-100	24546	C4-1/B-T0-2151-F
A5A3R60	0757-0280	3		RESISTOR 1K 1% .125W F TC=0+-100	24546	C4-1/B-T0-1001-F
A5A3R61	0698-3151	7	10	RESISTOR 2.87K 1% .125W F TC=0+-100	24546	C4-1/B-T0-2871-F
A5A3R62	0698-3156	2	7	RESISTOR 14.7K 1% .125W F TC=0+-100	24546	C4-1/B-T0-1472-F
A5A3R63	0757-0442	9	21	RESISTOR 10K 1% .125W F TC=0+-100	24546	C4-1/B-T0-1002-F
A5A3R64	0757-0200	7	3	RESISTOR 5.62K 1% .125W F TC=0+-100	24546	C4-1/B-T0-5621-F
A5A3R65	0757-0280	5	15	RESISTOR 6.19K 1% .125W F TC=0+-100	19701	MF4C1/B-T0-6191-F
A5A3R66	0757-0401	0		RESISTOR 100 1% .125W F TC=0+-100	24546	C4-1/B-T0-101-F
A5A3R67	0757-0420	3		RESISTOR 750 1% .125W F TC=0+-100	24546	C4-1/B-T0-751-F
A5A3R68	0757-0442	9		RESISTOR 10K 1% .125W F TC=0+-100	24546	C4-1/B-T0-1002-F
A5A3R69	0757-0401	0		RESISTOR 100 1% .125W F TC=0+-100	24546	C4-1/B-T0-101-F
A5A3R70	0757-0440	7		RESISTOR 7.5K 1% .125W F TC=0+-100	24546	C4-1/B-T0-7501-F
A5A3R71	0698-0085	0		RESISTOR 2.61K 1% .125W F TC=0+-100	24546	C4-1/B-T0-2611-F
A5A3R72	0757-0416	7		RESISTOR 511 1% .125W F TC=0+-100	24546	C4-1/B-T0-511R-F
A5A3R73	0698-0089	4	1	RESISTOR 1.78K 1% .5W F TC=0+-100	28480	0698-0089
A5A3R74	0757-0400	8	5	RESISTOR 90.9 1% .125W F TC=0+-100	24546	C4-1/B-T0-90R9-F
A5A3R75	0757-0401	0		RESISTOR 100 1% .125W F TC=0+-100	24546	C4-1/B-T0-101-F
A5A3R76	0757-0290	5		RESISTOR 6.19K 1% .125W F TC=0+-100	19701	MF4C1/B-T0-6191-F
A5A3R77	0698-3151	7		RESISTOR 2.87K 1% .125W F TC=0+-100	24546	C4-1/B-T0-2871-F
A5A3R78	0698-3156	2		RESISTOR 14.7K 1% .125W F TC=0+-100	24546	C4-1/B-T0-1472-F
A5A3R79	0757-0440	7		RESISTOR 7.5K 1% .125W F TC=0+-100	24546	C4-1/B-T0-7501-F
A5A3R80	0757-0401	0		RESISTOR 100 1% .125W F TC=0+-100	24546	C4-1/B-T0-101-F
A5A3R81	0698-0083	8		RESISTOR 1.96K 1% .125W F TC=0+-100	24546	C4-1/B-T0-1961-F
A5A3R82	0698-0083	8		RESISTOR 1.96K 1% .125W F TC=0+-100	24546	C4-1/B-T0-1961-F
A5A3R83	0698-3443	0	3	RESISTOR 287 1% .125W F TC=0+-100	24546	C4-1/B-T0-287R-F
A5A3R84	0698-3407	6	1	RESISTOR 1.96K 1% .5W F TC=0+-100	28480	0698-3407
A5A3R85	0757-0401	0		RESISTOR 100 1% .125W F TC=0+-100	24546	C4-1/B-T0-101-F

† Refer to Section 7 for update information.

* Factory Selected Component (Refer to Section 5.)

Table 6-3. Replaceable Parts

Reference Designation	HP Part Number	C D	Qty.	Description	Mfr. Code	Mfr. Part Number
A5A3R86	0757-0401	0		RESISTOR 100 1% .125W F TC=0+-100	24546	C4-1/8-T0-101-F
A5A3R87	0757-0401	0		RESISTOR 100 1% .125W F TC=0+-100	24546	C4-1/8-T0-101-F
A5A3S1	3101-0860	9	3	SWITCH-SL DPDT MINTR .5A 125VAC/DC PC	28480	3101-0860
A5A3TP1	1251-0600	0		CONNECTOR-SGL CONT PIN 1.14-MM-BSC-SZ SQ	28480	1251-0600
A5A3TP2	1251-0600	0		CONNECTOR-SGL CONT PIN 1.14-MM-BSC-SZ SQ	28480	1251-0600
A5A3TP3	1251-0600	0		CONNECTOR-SGL CONT PIN 1.14-MM-BSC-SZ SQ	28480	1251-0600
A5A3TP4	1251-0600	0		CONNECTOR-SGL CONT PIN 1.14-MM-BSC-SZ SQ	28480	1251-0600
A5A3TP5A	1251-0600	0		CONNECTOR-SGL CONT PIN 1.14-MM-BSC-SZ SQ	28480	1251-0600
A5A3TP5	1251-0600	0		CONNECTOR-SGL CONT PIN 1.14-MM-BSC-SZ SQ	28480	1251-0600
A5A3TP6	1251-0600	0		CONNECTOR-SGL CONT PIN 1.14-MM-BSC-SZ SQ	28480	1251-0600
A5A3TP7	1251-0600	0		CONNECTOR-SGL CONT PIN 1.14-MM-BSC-SZ SQ	28480	1251-0600
A5A3TP8	1251-0600	0		CONNECTOR-SGL CONT PIN 1.14-MM-BSC-SZ SQ	28480	1251-0600
A5A3TP9	1251-0600	0		CONNECTOR-SGL CONT PIN 1.14-MM-BSC-SZ SQ	28480	1251-0600
A5A3U1	1826-0371	1	2	IC OP AMP LOW-BIAS-H-IMPD TO-99 PKG	27014	LF258M
A5A3U2	1826-0089	8	1	IC OP AMP WB TO-99 PKG	29832	1322
A5A3U3	1826-0013	8	6	IC OP AMP LOW-NOISE TO-99 PKG	06885	SS5741CJ
A5A3U4	1820-0681	4	2	IC GATE TTL S NAND QUAD 2-INP	01295	SN74S00N
A5A3U5	1820-0693	8	2	IC FF TTL S D-TYPE POS-EDGE-TRIG	01295	SN74S74N
A5A3U6	1826-0013	8		IC OP AMP LOW-NOISE TO-99 PKG	06885	SS5741CJ
A5A3U7	1820-1422	3	2	IC MV TTL LS MONOSTBL RETRIG	01295	SN74LS122N
A5A3U8	1820-0686	9		IC GATE TTL S AND TPL 3-INP	01295	SN74S11N
A5A3U9	1820-0683	6	1	IC INV TTL S HEX 1-INP	01295	SN74S04N
A5A3VR1	1902-0184	6	2	DIODE-ZNR 16.2V 5% DO-35 PD=.4W	28480	1902-0184
A5A3VR2	1902-0184	6		DIODE-ZNR 16.2V 5% DO-35 PD=.4W	28480	1902-0184
A5A3VR3	1902-3301	5	2	DIODE-ZNR 34.8V 5% DO-35 PD=.4W	28480	1902-3301
A5A3VR4	1902-3301	5		DIODE-ZNR 34.8V 5% DO-35 PD=.4W	28480	1902-3301

† Refer to Section 7 for update information.

* Factory Selected Component (Refer to Section 5.)

6-107/
(6-108)

Table 6-3. Replaceable Parts

Reference Designation	HP Part Number	C D	Qty.	Description	Mfr. Code	Mfr. Part Number
A5A4						
ASA4	08662-60151	0	1	REFERENCE DIVIDER ASSEMBLY	28480	08662-60151
ASA4C1	0160-3876	4	17	CAPACITOR-FXD 47PF +-20% 200VDC CER	28480	0160-3876
ASA4C2	0160-3466	8		CAPACITOR-FXD 100PF +-10% 1KVDC CER	28480	0160-3466
ASA4C3	0180-0116	1		CAPACITOR-FXD 6.8UF+-10% 35VDC TA	56299	150D895X8035B2
ASA4C4	0180-2208	6		CAPACITOR-FXD 220UF+-10% 10VDC TA	56299	150D227X9010S2
ASA4C5	0160-3457	7	3	CAPACITOR-FXD 2000PF +-10% 250VDC CER	28480	0160-3457
ASA4C8	0160-3876	6	161	CAPACITOR-FXD 1000PF +-20% 100VDC CER	28480	0160-3876
ASA4C7	0180-3538	5	2	CAPACITOR-FXD 750PF +-5% 100VDC MICA	28480	0160-3538
ASA4C8	0160-3457	7		CAPACITOR-FXD 2000PF +-10% 250VDC CER	28480	0160-3457
ASA4C9	0160-3457	7		CAPACITOR-FXD 2000PF +-10% 250VDC CER	28480	0160-3457
ASA4CR3	1901-0039	8		DIODE-SWITCHING 50V 300MA 9NS	28480	1901-0039
ASA4L1	9140-0112	2	1	INDUCTOR RF-CH-MLD 4.7UH 10%	28480	9140-0112
ASA4L2	9100-1626	1		INDUCTOR RF-CH-MLD 38UH 5% .166DX.385LG	28480	9100-1626
ASA4L3	9100-0368	6	3	INDUCTOR RF-CH-MLD 330NH 10% .105DX.26LG	28480	9100-0368
ASA4MP1	08662-00085	3	1	COVER- 1/3 END	28480	08662-00085
	2380-0113	2		SCREW-MACH 6-32 .25-IN-LG PAN-HD-POZI	00000	ORDER BY DESCRIPTION
ASA4MP2	5001-0176	0		STRAP, GROUND	28480	5001-0176
ASA4MP3	5001-0176	0		STRAP, GROUND	28480	5001-0176
ASA4Q1	1853-0034	0	3	TRANSISTOR PNP SI TO-18 PD=360MW	28480	1853-0034
ASA4Q2	1853-0034	0		TRANSISTOR PNP SI TO-18 PD=360MW	28480	1853-0034
ASA4Q3	1853-0034	0		TRANSISTOR PNP SI TO-18 PD=360MW	28480	1853-0034
ASA4R1	0757-0394	0		RESISTOR 51.1 1% .125W F TC=0+-100	24546	C4-1/B-T0-51R1-F
ASA4R2	0698-3132	4		RESISTOR 261 1% .125W F TC=0+-100	24546	C4-1/B-T0-2610-F
ASA4R3	0757-0401	0		RESISTOR 100 1% .125W F TC=0+-100	24546	C4-1/B-T0-101-F
ASA4R4	0757-0394	0		RESISTOR 51.1 1% .125W F TC=0+-100	24546	C4-1/B-T0-51R1-F
ASA4R5	0698-3136	8		RESISTOR 17.8K 1% .125W F TC=0+-100	24546	C4-1/B-T0-1762-F
ASA4R6	0757-0280	3		RESISTOR 1K 1% .125W F TC=0+-100	24546	C4-1/B-T0-1001-F
ASA4R7	0757-0444	1		RESISTOR 12.1K 1% .125W F TC=0+-100	24546	C4-1/B-T0-1212-F
ASA4R8	0757-0394	0		RESISTOR 51.1 1% .125W F TC=0+-100	24546	C4-1/B-T0-51R1-F
ASA4R11	0757-0444	1		RESISTOR 12.1K 1% .125W F TC=0+-100	24546	C4-1/B-T0-1212-F
ASA4R12	0757-0200	7		RESISTOR 5.62K 1% .125W F TC=0+-100	24546	C4-1/B-T0-5621-F
ASA4R13	0757-0817	2	2	RESISTOR 750 1% .5W F TC=0+-100	28480	0757-0817
ASA4R14	0698-3441	8		RESISTOR 215 1% .125W F TC=0+-100	24546	C4-1/B-T0-215R-F
ASA4R15	0757-0280	3		RESISTOR 1K 1% .125W F TC=0+-100	24546	C4-1/B-T0-1001-F
ASA4R16	0757-0439	3	12	RESISTOR 5.11K 1% .125W F TC=0+-100	24546	C4-1/B-T0-5111-F
ASA4TP1	1251-0600	0		CONNECTOR-SGL CONT PIN 1.14-MM-BSC-SZ 80	28480	1251-0600
ASA4U1	1820-1251	6		IC CNTR TTL LS DECD ASYNCHRO	01295	SN74LS196N
ASA4U2	1820-1418	7	1	IC DCDR TTL LS BCD-TO-DEC 4-TO-10-LINE	01295	SN74LS42N
ASA4U3	1820-1208	1	1	IC GATE TTL LS NOR TPL 3-INP	01295	SN74LS27N
ASA4U4	1820-1251	6		IC CNTR TTL LS DECD ASYNCHRO	01295	SN74LS196N
ASA4U5	1820-0693	8		IC FF TTL S D-TYPE POS-EDGE-TRIG	01295	SN74S74N

† Refer to Section 7 for update information.

* Factory Selected Component (Refer to Section 5.)

Table 6-3. Replaceable Parts

Reference Designation	HP Part Number	C D	Qty.	Description	Mfr. Code	Mfr. Part Number
A5A5						
A5A5	08662-60149	6	1	VCO ASSEMBLY	28480	08662-60149
A5A5C1	0160-4747	0		CAPACITOR-FXD 1000PF +-20% 100VDC CER	51642	200-100-X7R-102M
A5A5C2	0160-4747	0		CAPACITOR-FXD 1000PF +-20% 100VDC CER	51642	200-100-X7R-102M
A5A5C3	0160-4747	0		CAPACITOR-FXD 1000PF +-20% 100VDC CER	51642	200-100-X7R-102M
A5A5C4	0160-4747	0		CAPACITOR-FXD 1000PF +-20% 100VDC CER	51642	200-100-X7R-102M
A5A5C5	0160-4747	0		CAPACITOR-FXD 1000PF +-20% 100VDC CER	51642	200-100-X7R-102M
A5A5C6	0160-4747	0		CAPACITOR-FXD 1000PF +-20% 100VDC CER	51642	200-100-X7R-102M
A5A5C7	0160-0575	4	15	CAPACITOR-FXD .047UF +-20% 50VDC CER	28480	0160-0575
A5A5C8	0160-0575	4		CAPACITOR-FXD .047UF +-20% 50VDC CER	28480	0160-0575
A5A5C9	0160-0575	4		CAPACITOR-FXD .047UF +-20% 50VDC CER	28480	0160-0575
A5A5C10	0160-3879	7		CAPACITOR-FXD .01UF +-20% 100VDC CER	28480	0160-3879
A5A5C11	0160-0187	8		CAPACITOR-FXD 2.2UF+-10% 20VDC TA	56289	150D225X9020A2
A5A5C12	0160-0116	1		CAPACITOR-FXD 6.8UF+-10% 35VDC TA	56289	150D685X9035B2
A5A5C13	0160-2257	3	2	CAPACITOR-FXD 10PF +-5% 500VDC CER 0+-80	28480	0160-2257
A5A5C14	0160-0116	1		CAPACITOR-FXD 6.8UF+-10% 35VDC TA	56289	150D685X9035B2
A5A5C15	0160-0116	1		CAPACITOR-FXD 6.8UF+-10% 35VDC TA	56289	150D685X9035B2
A5A5C16	0160-0575	4		CAPACITOR-FXD .047UF +-20% 50VDC CER	28480	0160-0575
A5A5C17	0160-0291	3		CAPACITOR-FXD 1UF+-10% 35VDC TA	56289	150D105X9035A2
A5A5C18	0160-0291	3		CAPACITOR-FXD 1UF+-10% 35VDC TA	56289	150D105X9035A2
A5A5C19	0160-0575	4		CAPACITOR-FXD .047UF +-20% 50VDC CER	28480	0160-0575
A5A5C20	0160-0571	0	12	CAPACITOR-FXD 470PF +-20% 100VDC CER	28480	0160-0571
A5A5C21	0160-0571	0		CAPACITOR-FXD 470PF +-20% 100VDC CER	28480	0160-0571
A5A5C22	0160-0158	9	5	CAPACITOR-FXD 5600PF +-10% 200VDC POLYE	28480	0160-0158
A5A5C23	0160-3537	4	2	CAPACITOR-FXD 680PF +-5% 100VDC MICA	28480	0160-3537
A5A5C24	0160-0158	9		CAPACITOR-FXD 5600PF +-10% 200VDC POLYE	28480	0160-0158
A5A5C25	0160-0291	3		CAPACITOR-FXD 1UF+-10% 35VDC TA	56289	150D105X9035A2
A5A5C26	0160-0573	2	16	CAPACITOR-FXD 4700PF +-20% 100VDC CER	28480	0160-0573
A5A5C27	0160-0161	4		CAPACITOR-FXD .01UF +-10% 200VDC POLYE	28480	0160-0161
A5A5C28	0160-0116	1		CAPACITOR-FXD 6.8UF+-10% 35VDC TA	56289	150D685X9035B2
A5A5C29	0160-0100	3	1	CAPACITOR-FXD 4.7UF+-10% 35VDC TA	56289	150D475X9035B2
A5A5C30	0160-4747	0		CAPACITOR-FXD 1000PF +-20% 100VDC CER	51642	200-100-X7R-102M
A5A5C31	0160-4747	0		CAPACITOR-FXD 1000PF +-20% 100VDC CER	51642	200-100-X7R-102M
A5A5C32	0160-4747	0		CAPACITOR-FXD 1000PF +-20% 100VDC CER	51642	200-100-X7R-102M
A5A5C33	0160-4747	0		CAPACITOR-FXD 1000PF +-20% 100VDC CER	51642	200-100-X7R-102M
A5A5C34	0160-4747	0		CAPACITOR-FXD 1000PF +-20% 100VDC CER	51642	200-100-X7R-102M
A5A5C35	0160-4747	0		CAPACITOR-FXD 1000PF +-20% 100VDC CER	51642	200-100-X7R-102M
A5A5C36	0160-4747	0		CAPACITOR-FXD 1000PF +-20% 100VDC CER	51642	200-100-X7R-102M
A5A5C37	0160-4747	0		CAPACITOR-FXD 1000PF +-20% 100VDC CER	51642	200-100-X7R-102M
A5A5C38	0160-4747	0		CAPACITOR-FXD 1000PF +-20% 100VDC CER	51642	200-100-X7R-102M
A5A5C39	0160-4747	0		CAPACITOR-FXD 1000PF +-20% 100VDC CER	51642	200-100-X7R-102M
A5A5C40	0160-4747	0		CAPACITOR-FXD 1000PF +-20% 100VDC CER	51642	200-100-X7R-102M
A5A5C41	0160-4747	0		CAPACITOR-FXD 1000PF +-20% 100VDC CER	51642	200-100-X7R-102M
A5A5C42	0160-4747	0		CAPACITOR-FXD 1000PF +-20% 100VDC CER	51642	200-100-X7R-102M
A5A5C43	0160-4747	0		CAPACITOR-FXD 1000PF +-20% 100VDC CER	51642	200-100-X7R-102M
A5A5C44	0160-4747	0		CAPACITOR-FXD 1000PF +-20% 100VDC CER	51642	200-100-X7R-102M

† Refer to Section 7 for update information.

* Factory Selected Component (Refer to Section 5.)

Table 6-3. Replaceable Parts

Reference Designation	HP Part Number	C D	Qty.	Description	Mfr. Code	Mfr. Part Number
A5ASCR1	1901-0040	1		DIODE-SWITCHING 30V 50MA 2NS DO-35	28480	1901-0040
A5ASCR2	1901-0040	1		DIODE-SWITCHING 30V 50MA 2NS DO-35	28480	1901-0040
A5ASCR3	1901-0040	1		DIODE-SWITCHING 30V 50MA 2NS DO-35	28480	1901-0040
A5ASCR4	1901-0040	1		DIODE-SWITCHING 30V 50MA 2NS DO-35	28480	1901-0040
A5ASCR5	1901-0040	1		DIODE-SWITCHING 30V 50MA 2NS DO-35	28480	1901-0040
<i>2234A TO 2602A</i>						
A5ASCR6	1901-0040	1		DIODE-SWITCHING 30V 50MA 2NS DO-35	28480	1901-0040
A5ASCR7	1901-0040	1		DIODE-SWITCHING 30V 50MA 2NS DO-35	28480	1901-0040
A5ASCR8	1901-0040	1		DIODE-SWITCHING 30V 50MA 2NS DO-35	28480	1901-0040
A5ASCR9	1901-0040	1		DIODE-SWITCHING 30V 50MA 2NS DO-35	28480	1901-0040
<i>2604A AND ABOVE</i>						
A5ASCR6-9				NOT ASSIGNED		
<i>2234A TO 2419A</i>						
A5ASCR10	0122-0065	7	4	DIODE-VVC 29PF 3%	28480	0122-0065
A5ASCR11	0122-0065	7		DIODE-VVC 29PF 3%	28480	0122-0065
A5ASCR12	0122-0065	7		DIODE-VVC 29PF 3%	28480	0122-0065
<i>2441A AND ABOVE</i>						
A5ASCR10	0122-0162	5	4	DVVC 29PF 5.0CR	28480	0122-0162
A5ASCR11	0122-0162	5		DVVC 29PF 5.0CR	28480	0122-0162
A5ASCR12	0122-0162	5		DVVC 29PF 5.0CR	28480	0122-0162
A5A5J1	1250-1220	0		CONNECTOR-RF SMC M PC 50-OHM	28480	1250-1220
	2190-0124	4		WASHER-LK INTL T NO. 10 .195-IN-ID	28480	2190-0124
	2950-0078	9		NUT-HEX-DBL-CHAM 10-32-THD .067-IN-THK	28480	2950-0078
A5A5J2	1250-1220	0		CONNECTOR-RF SMC M PC 50-OHM	28480	1250-1220
	2190-0124	4		WASHER-LK INTL T NO. 10 .195-IN-ID	28480	2190-0124
	2950-0078	9		NUT-HEX-DBL-CHAM 10-32-THD .067-IN-THK	28480	2950-0078
A5ASL1	9100-1629	4	4	INDUCTOR RF-CH-MLD 47UH 5% .166DX.385LG	28480	9100-1629
A5ASL2	9100-1629	4		INDUCTOR RF-CH-MLD 47UH 5% .166DX.385LG	28480	9100-1629
A5ASL3	9100-1629	4		INDUCTOR RF-CH-MLD 47UH 5% .166DX.385LG	28480	9100-1629
A5ASL4	9100-1629	4		INDUCTOR RF-CH-MLD 47UH 5% .166DX.385LG	28480	9100-1629
A5ASL5	9100-1666	9	1	INDUCTOR RF-CH-MLD 3.6MH 5% .23DX.57LG	28480	9100-1666
A5ASL6	9140-0210	1	13	INDUCTOR RF-CH-MLD 100UH 5% .168DX.385LG	28480	9140-0210
A5A5MP1	08662-00099	9	1	COVER- 2/3 END	28480	08662-00099
	2380-0113	2		SCREW-MACH 6-32 .25-IN-LG PAN-RO-PQZI	00000	ORDER BY DESCRIPTION
A5A5MP2	5001-0176	0		STRAP, GROUND	28480	5001-0176
A5A5MP3	5001-0176	0		STRAP, GROUND	28480	5001-0176
A5A5MP4	08662-00041	1		SHIELD, COMPONENTS, LARGE	28480	08662-00041
A5A5MP5	08662-00039	7	2	SHIELD, CIRCUIT, LARGE	28480	08662-00039
A5A5MP6	1205-0202	1	1	THERMAL LINK DUAL TO-18-CS	28480	1205-0202
A5A5Q1	1854-0540	5	4	TRANSISTOR NPN SI TO-72 PD=200MW FT=1GHZ	04713	MM8006
A5A5Q2	1854-0540	5		TRANSISTOR NPN SI TO-72 PD=200MW FT=1GHZ	04713	MM8006
A5A5Q3	1854-0039	7	1	TRANSISTOR NPN 2N3053S SI TO-39 PD=1W	3L585	2N3053S
A5A5Q4	1853-0451	5	13	TRANSISTOR PNP 2N3799 SI TO-18 PD=360MW	01295	2N3799
A5A5Q5	1853-0451	5		TRANSISTOR PNP 2N3799 SI TO-18 PD=360MW	01295	2N3799
A5A5Q6	1854-0540	5		TRANSISTOR NPN SI TO-72 PD=200MW FT=1GHZ	04713	MM8006
A5A5Q7	1854-0404	0	14	TRANSISTOR NPN SI TO-18 PD=360MW	28480	1854-0404
A5A5Q8	1853-0451	5		TRANSISTOR PNP 2N3799 SI TO-18 PD=360MW	01295	2N3799
A5A5Q9	1855-0020	8	13	TRANSISTOR J-FET N-CHAN D-MODE TO-18 SI	28480	1855-0020
A5A5Q10	1855-0020	8		TRANSISTOR J-FET N-CHAN D-MODE TO-18 SI	28480	1855-0020
A5A5Q11	1854-0540	5		TRANSISTOR NPN SI TO-72 PD=200MW FT=1GHZ	04713	MM8006
A5A5Q12	1853-0451	5		TRANSISTOR PNP 2N3799 SI TO-18 PD=360MW	01295	2N3799
A5A5Q13	1854-0404	0		TRANSISTOR NPN SI TO-18 PD=360MW	28480	1854-0404
A5A5Q14	1853-0451	5		TRANSISTOR PNP 2N3799 SI TO-18 PD=360MW	01295	2N3799

† Refer to Section 7 for update information.

* Factory Selected Component (Refer to Section 5.)

Table 6-3. Replaceable Parts

Reference Designation	HP Part Number	C D	Qty.	Description	Mfr. Code	Mfr. Part Number
A5A5R1	0698-7218	5		RESISTOR 178 1% .05W F TC=0+-100	24546	C3-1/8-T0-178R-F
A5A5R2	0698-7218	5		RESISTOR 178 1% .05W F TC=0+-100	24546	C3-1/8-T0-178R-F
A5A5R3	0698-7218	5		RESISTOR 178 1% .05W F TC=0+-100	24546	C3-1/8-T0-178R-F
A5A5R4	0698-7218	5		RESISTOR 178 1% .05W F TC=0+-100	24546	C3-1/8-T0-178R-F
A5A5R5	0698-7218	5		RESISTOR 178 1% .05W F TC=0+-100	24546	C3-1/8-T0-178R-F
A5A5R6	0698-7218	5		RESISTOR 178 1% .05W F TC=0+-100	24546	C3-1/8-T0-178R-F
A5A5R7	0698-3162	0	3	RESISTOR 46.4K 1% .125W F TC=0+-100	24546	C4-1/8-T0-4642-F
A5A5R8	0698-3162	0		RESISTOR 46.4K 1% .125W F TC=0+-100	24546	C4-1/8-T0-4642-F
A5A5R9	0698-3439	4		RESISTOR 178 1% .125W F TC=0+-100	24546	C4-1/8-T0-178R-F
A5A5R10	0698-0085	0		RESISTOR 2.61K 1% .125W F TC=0+-100	24546	C4-1/8-T0-2611-F
A5A5R11	0698-4008	5	1	RESISTOR 40K 1% .125W F TC=0+-100	24546	C4-1/8-T0-4002-F
A5A5R12	0757-0449	8	1	RESISTOR 20K 1% .125W F TC=0+-100	24546	C4-1/8-T0-2002-F
A5A5R13	0698-7884	1	1	RESISTOR 16K 1% .125W F TC=0+-50	19701	MF4C1/8-T2-1802-F
A5A5R14	0698-3200	7	1	RESISTOR 8K 1% .125W F TC=0+-100	24546	C4-1/8-T0-8001-F
A5A5R15	0757-5323	9	1	RESISTOR 4K .5% .125W F TC=0+-50	28480	0698-5323
A5A5R16	0698-7799	7	1	RESISTOR 2K .25% .125W F TC=0+-100	19701	MF4C1/8-T0-2001-C
A5A5R17	0698-3153	9		RESISTOR 3.83K 1% .125W F TC=0+-100	24546	C4-1/8-T0-3831-F
A5A5R18	0757-0428	1		RESISTOR 1.62K 1% .125W F TC=0+-100	24546	C4-1/8-T0-1621-F
A5A5R19	0757-1060	9		RESISTOR 198 1% .5W F TC=0+-100	28480	0757-1060
A5A5R20	0757-0428	1		RESISTOR 1.62K 1% .125W F TC=0+-100	24546	C4-1/8-T0-1621-F
A5A5R21	0757-0317	7		RESISTOR 1.33K 1% .125W F TC=0+-100	24546	C4-1/8-T0-1331-F
A5A5R22	0757-0440	7		RESISTOR 7.5K 1% .125W F TC=0+-100	24546	C4-1/8-T0-7501-F
A5A5R23	0757-0289	2	6	RESISTOR 13.3K 1% .125W F TC=0+-100	19701	MF4C1/8-T0-1332-F
A5A5R24	2100-3109	2		RESISTOR-TRMR 2K 10% C SIDE-ADJ 17-TRN	02111	43P202
A5A5R25	0698-3260	9		RESISTOR 484K 1% .125W F TC=0+-100	28480	0698-3260
A5A5R26	0698-7239	9	7	RESISTOR 1.21K 1% .05W F TC=0+-100	24546	C3-1/8-T0-1211-F
A5A5R27	0757-0442	9		RESISTOR 10K 1% .125W F TC=0+-100	24546	C4-1/8-T0-1002-F
A5A5R28	0757-0289	2		RESISTOR 13.3K 1% .125W F TC=0+-100	19701	MF4C1/8-T0-1332-F
A5A5R29	0698-3160	8	15	RESISTOR 31.6K 1% .125W F TC=0+-100	24546	C4-1/8-T0-3162-F
A5A5R30	0757-0428	1		RESISTOR 1.62K 1% .125W F TC=0+-100	24546	C4-1/8-T0-1621-F
A5A5R31	0757-0428	1		RESISTOR 1.62K 1% .125W F TC=0+-100	24546	C4-1/8-T0-1621-F
A5A5R32	0757-0462	3	2	RESISTOR 75K 1% .125W F TC=0+-100	24546	C4-1/8-T0-7502-F
A5A5R33	0757-0346	2		RESISTOR 10 1% .125W F TC=0+-100	24546	C4-1/8-T0-10R0-F
A5A5R34	0757-0280	3		RESISTOR 1K 1% .125W F TC=0+-100	24546	C4-1/8-T0-1001-F
A5A5R35	0698-3158	2		RESISTOR 14.7K 1% .125W F TC=0+-100	24546	C4-1/8-T0-1472-F
A5A5R36	0698-3158	2		RESISTOR 14.7K 1% .125W F TC=0+-100	24546	C4-1/8-T0-1472-F
A5A5R37	0757-0442	9		RESISTOR 10K 1% .125W F TC=0+-100	24546	C4-1/8-T0-1002-F
A5A5R38	0757-0458	7		RESISTOR 51.1K 1% .125W F TC=0+-100	24546	C4-1/8-T0-5112-F
A5A5R39	0757-0467	8	2	RESISTOR 121K 1% .125W F TC=0+-100	24546	C4-1/8-T0-1213-F
A5A5R40	0757-0458	7		RESISTOR 51.1K 1% .125W F TC=0+-100	24546	C4-1/8-T0-5112-F
A5A5R41	0698-3160	8		RESISTOR 31.6K 1% .125W F TC=0+-100	24546	C4-1/8-T0-3162-F
A5A5R42	0757-0462	3		RESISTOR 75K 1% .125W F TC=0+-100	24546	C4-1/8-T0-7502-F
A5A5R43	0698-3160	8		RESISTOR 31.6K 1% .125W F TC=0+-100	24546	C4-1/8-T0-3162-F
A5A5R44	0757-0401	0		RESISTOR 100 1% .125W F TC=0+-100	24546	C4-1/8-T0-101-F
A5A5R45	0757-0416	7		RESISTOR 511 1% .125W F TC=0+-100	24546	C4-1/8-T0-511R-F
A5A5R46	0757-0463	4	1	RESISTOR 82.5K 1% .125W F TC=0+-100	24546	C4-1/8-T0-8252-F
A5A5R47	0757-0416	7		RESISTOR 511 1% .125W F TC=0+-100	24546	C4-1/8-T0-511R-F
A5A5R48	0757-0401	0		RESISTOR 100 1% .125W F TC=0+-100	24546	C4-1/8-T0-101-F
A5A5R49	0757-0821	9	1	RESISTOR 1.21K 1% .5W F TC=0+-100	28480	0757-0821
A5A5R50	0698-0085	0		RESISTOR 2.61K 1% .125W F TC=0+-100	24546	C4-1/8-T0-2611-F

† Refer to Section 7 for update information.

* Factory Selected Component (Refer to Section 5.)

Table 6-3. Replaceable Parts

Reference Designation	HP Part Number	C D	Qty.	Description	Mfr. Code	Mfr. Part Number
A5A5R61	0698-0082	7	12	RESISTOR 484 1% .125W F TC=0+-100	24546	C4-1/8-T0-4840-F
A5A5R62	0698-0085	0		RESISTOR 2.61K 1% .125W F TC=0+-100	24546	C4-1/8-T0-2611-F
<i>2234A TO 2602A</i>						
A5A5R63	2100-3154	7		RESISTOR-TRMR 1K 10% C SIDE-ADJ 17-TRN	02111	43P102
A5A5R64	0698-0083	8		RESISTOR 1.98K 1% .125W F TC=0+-100	24546	C4-1/8-T0-1981-F
<i>2604A AND ABOVE</i>						
A5A5R65	2100-3056	5		RESISTOR-TRMR 3K 10% WW T-ADJ 1-TRN	28480	2100-3056
A5A5R64	0757-0401	0		RESISTOR 100 1% .125W F TC=0+-100	24546	C4-1/8-T0-100R-F
A5A5R65	0698-0085	0		RESISTOR 2.61K 1% .125W F TC=0+-100	24546	C4-1/8-T0-2611-F
A5A5R66	0757-0442	9		RESISTOR 10K 1% .125W F TC=0+-100	24546	C4-1/8-T0-1002-F
A5A5R67	0757-0442	9		RESISTOR 10K 1% .125W F TC=0+-100	24546	C4-1/8-T0-1002-F
<i>2234A TO 2602A</i>						
A5A5R68	0698-3346	2	1	RESISTOR 4.22K 1% .5W F TC=0+-100	26480	0698-3346
A5A5R69	0698-3455	4	1	RESISTOR 261K 1% .125W F TC=0+-100	24546	C4-1/8-T0-2613-F
A5A5R60	0698-7213	0	4	RESISTOR 110 1% .05W F TC=0+-100	24546	C3-1/8-T0-110R-F
A5A5R61	0757-0289	2		RESISTOR 13.3K 1% .125W F TC=0+-100	19701	MF4C1/8-T0-1332-F
<i>2604A AND ABOVE</i>						
A5A5R68	0698-3412	3		RESISTOR 3.83K 1% .5W F TC=0+-100	24546	C4-1/2-T0-3831-F
A5A5R69	0757-0459	8		RESISTOR 56.2K 1% .125W F TC=0+-100	24546	C4-1/8-T0-5622-F
A5A5R60	0698-7225	4		RESISTOR 348 1% .05W F TC=0+-100	24546	C3-1/8-T0-348R-F
A5A5R61	0757-0200	7		RESISTOR 5.62K 1% .125W F TC=0+-100	24546	C4-1/8-T0-5621-F
<i>2234A TO 2602A</i>						
A5A5R62	0698-3458	2	2	RESISTOR 196K 1% .125W F TC=0+-100	24546	C4-1/8-T0-1963-F
A5A5R63	0698-7238	9		RESISTOR 1.21K 1% .05W F TC=0+-100	24546	C3-1/8-T0-1211-F
A5A5R64	0698-3156	2		RESISTOR 14.7K 1% .125W F TC=0+-100	24546	C4-1/8-T0-1472-F
A5A5R65	0757-0480	1	1	RESISTOR 61.9K 1% .125W F TC=0+-100	24546	C4-1/8-T0-6192-F
A5A5R66	0698-7231	2	4	RESISTOR 619 1% .05W F TC=0+-100	24546	C3-1/8-T0-619R-F
A5A5R67	0698-3158	4		RESISTOR 23.7K 1% .125W F TC=0+-100	24546	C4-1/8-T0-2372-F
A5A5R68	0698-7213	0		RESISTOR 110 1% .05W F TC=0+-100	24546	C3-1/8-T0-110R-F
A5A5R69	0698-3157	3		RESISTOR 19.6K 1% .125W F TC=0+-100	24546	C4-1/8-T0-1962-F
A5A5R70	0698-7238	9		RESISTOR 1.21K 1% .05W F TC=0+-100	24546	C3-1/8-T0-1211-F
A5A5R71	0698-3160	8		RESISTOR 31.6K 1% .125W F TC=0+-100	24546	C4-1/8-T0-3162-F
A5A5R72	0698-3243	8	2	RESISTOR 178K 1% .125W F TC=0+-100	24546	C4-1/8-T0-1783-F
A5A5R73	0757-0123	3	1	RESISTOR 34.8K 1% .125W F TC=0+-100	26480	0757-0123
<i>2604A AND ABOVE</i>						
A5A5R62-73 NOT ASSIGNED						
A5A5R74	0698-3453	2		RESISTOR 196K 1% .125W F TC=0+-100	24546	C4-1/8-T0-1963-F
A5A5R75	0757-0401	0		RESISTOR 100 1% .125W F TC=0+-100	24546	C4-1/8-T0-101-F
A5A5R76	0757-0438	3		RESISTOR 5.11K 1% .125W F TC=0+-100	24546	C4-1/8-T0-5111-F
A5A5R77	0698-0082	7		RESISTOR 484 1% .125W F TC=0+-100	24546	C4-1/8-T0-4840-F
A5A5R78	0757-0442	9		RESISTOR 10K 1% .125W F TC=0+-100	24546	C4-1/8-T0-1002-F
A5A5R79	0757-0421	4		RESISTOR 825 1% .125W F TC=0+-100	24546	C4-1/8-T0-825R-F
A5A5R80	0757-1094	9		RESISTOR 1.47K 1% .125W F TC=0+-100	24546	C4-1/8-T0-1471-F
A5A5R81	0757-0346	2		RESISTOR 10 1% .125W F TC=0+-100	24546	C4-1/8-T0-10R0-F
A5A5R82	0757-0290	5		RESISTOR 6.19K 1% .125W F TC=0+-100	19701	MF4C1/8-T0-6191-F
A5A5R83	0757-0274	5	2	RESISTOR 1.21K 1% .125W F TC=0+-100	24546	C4-1/8-T0-1211-F
A5A5R84	0698-1902	4		RESISTOR 10 1% .05W F TC=0+-100	24546	C3-1/8-T0-10R-F
A5A5R85	0698-7205	0		RESISTOR 51.1 1% .05W F TC=0+-100	24546	C3-1/8-T0-51R1-F
A5A5R86	0757-0428	1		RESISTOR 1.62K 1% .125W F TC=0+-100	24546	C4-1/8-T0-1621-F
A5A5R87	0698-3153	9		RESISTOR 3.83K 1% .125W F TC=0+-100	24546	C4-1/8-T0-3831-F
A5A5R88	0698-3444	1		RESISTOR 318 1% .125W F TC=0+-100	24546	C4-1/8-T0-318R-F
A5A5R89	0757-0346	2		RESISTOR 10 1% .125W F TC=0+-100	24546	C4-1/8-T0-10R0-F
A5A5R90	0698-7207	2	10	RESISTOR 61.9 1% .05W F TC=0+-100	24546	C3-1/8-T0-61R9-F

†Refer to Section 7 for update information.

*Factory Selected Component (Refer to Section 5).

Table 6-3. Replaceable Parts

Reference Designation	HP Part Number	C D	Qty.	Description	Mfr. Code	Mfr. Part Number
A5A5R91	0699-3151	7		RESISTOR 2.87K 1% .125W F TC=0+-100	24546	C4-1/B-T0-2871-F
A5A5R92	0699-3151	7		RESISTOR 2.87K 1% .125W F TC=0+-100	24546	C4-1/B-T0-2871-F
A5A5R93	0699-7205	0		RESISTOR 51.1 1% .05W F TC=0+-100	24546	C3-1/B-T0-51R1-F
A5A5R94	0699-3150	6		RESISTOR 2.37K 1% .125W F TC=0+-100	24546	C4-1/B-T0-2371-F
A5A5R95	0699-3150	6		RESISTOR 2.37K 1% .125W F TC=0+-100	24546	C4-1/B-T0-2371-F
A5A5R96	0699-3442	9	5	RESISTOR 237 1% .125W F TC=0+-100	24546	C4-1/B-T0-237R-F
A5A5R97	0757-0348	2		RESISTOR 10 1% .125W F TC=0+-100	24546	C4-1/B-T0-10R0-F
A5A5R98	0699-3442	9		RESISTOR 237 1% .125W F TC=0+-100	24546	C4-1/B-T0-237R-F
A5A5R99	0757-0348	2		RESISTOR 10 1% .125W F TC=0+-100	24546	C4-1/B-T0-10R0-F
A5A5R100	0757-0394	0		RESISTOR 51.1 1% .125W F TC=0+-100	24546	C4-1/B-T0-51R1-F
A5A5R101	0757-0394	0		RESISTOR 51.1 1% .125W F TC=0+-100	24546	C4-1/B-T0-51R1-F
A5A5T1	08640-80355	0	5	TRANSFORMER, RF, BLUE	28490	08640-80355
A5A5TP1	1251-0600	0		CONNECTOR-SGL CONT PIN 1.14-MM-BSC-SZ SQ	28480	1251-0600
A5A5TP2	1251-0600	0		CONNECTOR-SGL CONT PIN 1.14-MM-BSC-SZ SQ	28480	1251-0600
A5A5TP3	1251-0600	0		CONNECTOR-SGL CONT PIN 1.14-MM-BSC-SZ SQ	28480	1251-0600
A5A5TP4	1251-0600	0		CONNECTOR-SGL CONT PIN 1.14-MM-BSC-SZ SQ	28480	1251-0600
A5A5U1	1826-0371	1		IC OP AMP LOW-BIAS-H-IMPD TO-99 PKG	27014	LF256H
A5A5U2	1820-0577	7	1	IC INV TTL HEX 1-JNP	01295	SN7418N
A5A5U3	1820-1423	4	3	IC MV TTL LS MONOSTBL RETRIG DUAL	01295	SN74LS123N
A5A5U4	1826-0138	8	4	IC COMPARATOR GP QUAD 14-DIP-P PKG	01295	LM339N

† Refer to Section 7 for update information.

* Factory Selected Component (Refer to Section 5.)

Table 6-3. Replaceable Parts

Reference Designation	HP Part Number	C D	Qty.	Description	Mfr. Code	Mfr. Part Number
A6A1						
A6A1	08862-60115	6	1	LF MULTIPLIER ASSEMBLY	28480	08862-60115
A6A1C1	0180-2617	1	42	CAPACITOR-FXD 6.8UF+-10% 35VDC TA	25088	D6R8GS1B35K
A6A1C2	0180-2618	2	20	CAPACITOR-FXD 33UF+-10% 10VDC TA	25088	D33GS1B10K
A6A1C3	0160-4527	4	6	CAPACITOR-FXD 56PF +-5% 200VDC CER 0+-30	28480	0160-4527
A6A1C4	0180-2618	2		CAPACITOR-FXD 33UF+-10% 10VDC TA	25088	D33GS1B10K
A6A1C5	0180-2618	2		CAPACITOR-FXD 33UF+-10% 10VDC TA	25088	D33GS1B10K
A6A1C6	0180-2618	2		CAPACITOR-FXD 33UF+-10% 10VDC TA	25088	D33GS1B10K
A6A1C7	0180-2618	2		CAPACITOR-FXD 33UF+-10% 10VDC TA	25088	D33GS1B10K
A6A1C8	0160-3879	7		CAPACITOR-FXD .01UF +-20% 100VDC CER	28480	0160-3879
A6A1C9	0180-2617	1		CAPACITOR-FXD 6.8UF+-10% 35VDC TA	25088	D6R8GS1B35K
A6A1C10	0160-3879	7		CAPACITOR-FXD .01UF +-20% 100VDC CER	28480	0160-3879
A6A1C11	0160-3879	7		CAPACITOR-FXD .01UF +-20% 100VDC CER	28480	0160-3879
A6A1C12	0160-3879	7		CAPACITOR-FXD .01UF +-20% 100VDC CER	28480	0160-3879
A6A1C13	0160-3879	7		CAPACITOR-FXD .01UF +-20% 100VDC CER	28480	0160-3879
A6A1C14	0160-3879	7		CAPACITOR-FXD .01UF +-20% 100VDC CER	28480	0160-3879
A6A1C15	0160-3879	7		CAPACITOR-FXD .01UF +-20% 100VDC CER	28480	0160-3879
A6A1C16	0160-3879	7		CAPACITOR-FXD .01UF +-20% 100VDC CER	28480	0160-3879
A6A1C17	0160-3879	7		CAPACITOR-FXD .01UF +-20% 100VDC CER	28480	0160-3879
A6A1C18	0160-3879	7		CAPACITOR-FXD .01UF +-20% 100VDC CER	28480	0160-3879
A6A1C19	0160-4103	2	4	CAPACITOR-FXD 220PF +-5% 100VDC CER	72882	8121-M100-COG-221J
A6A1C20	0160-4512	7	2	CAPACITOR-FXD 120PF +-5% 200VDC CER	28480	0160-4512
A6A1C21	0160-3879	7		CAPACITOR-FXD .01UF +-20% 100VDC CER	28480	0160-3879
A6A1C22	0160-4389	6		CAPACITOR-FXD 100PF +-5PF 200VDC CER	28480	0160-4389
A6A1C23	0160-4527	4		CAPACITOR-FXD 56PF +-5% 200VDC CER 0+-30	28480	0160-4527
A6A1C24	0160-3879	7		CAPACITOR-FXD .01UF +-20% 100VDC CER	28480	0160-3879
A6A1C25	0160-3879	7		CAPACITOR-FXD .01UF +-20% 100VDC CER	28480	0160-3879
A6A1C26	0160-3874	2		CAPACITOR-FXD 10PF +-5PF 200VDC CER	28480	0160-3874
A6A1C27	0121-0449	9	11	CAPACITOR-V TRMR-CER 3.5-10PF 63V PC-MTG	28480	0121-0449
A6A1C28	0160-3879	7		CAPACITOR-FXD .01UF +-20% 100VDC CER	28480	0160-3879
A6A1C29	0160-4387	4	4	CAPACITOR-FXD 47PF +-5% 200VDC CER 0+-30	28480	0160-4387
A6A1C30	0160-4493	3	2	CAPACITOR-FXD 27PF +-5% 200VDC CER 0+-30	28480	0160-4493
A6A1C31	0121-0449	9		CAPACITOR-V TRMR-CER 3.5-10PF 63V PC-MTG	28480	0121-0449
A6A1C32	0160-3879	7		CAPACITOR-FXD .01UF +-20% 100VDC CER	28480	0160-3879
A6A1C33	0160-3879	7		CAPACITOR-FXD .01UF +-20% 100VDC CER	28480	0160-3879
A6A1C34	0121-0449	9		CAPACITOR-V TRMR-CER 3.5-10PF 63V PC-MTG	28480	0121-0449
A6A1C35	0160-3879	7		CAPACITOR-FXD .01UF +-20% 100VDC CER	28480	0160-3879
A6A1C37	0160-3874	2		CAPACITOR-FXD 10PF +-5PF 200VDC CER	28480	0160-3874
A6A1C38	0121-0449	9		CAPACITOR-V TRMR-CER 3.5-10PF 63V PC-MTG	28480	0121-0449
A6A1C39	0160-3879	7		CAPACITOR-FXD .01UF +-20% 100VDC CER	28480	0160-3879
A6A1C40	0160-4521	8	1	CAPACITOR-FXD 12PF +-5% 200VDC CER 0+-30	28480	0160-4521
A6A1C41	0160-3879	7		CAPACITOR-FXD .01UF +-20% 100VDC CER	28480	0160-3879
A6A1C42	0160-3879	7		CAPACITOR-FXD .01UF +-20% 100VDC CER	28480	0160-3879
A6A1C43	0160-3879	7		CAPACITOR-FXD .01UF +-20% 100VDC CER	28480	0160-3879
A6A1C44	0160-4522	9	1	CAPACITOR-FXD 13PF +-5% 200VDC CER 0+-30	28480	0160-4522
A6A1C45	0160-3879	7		CAPACITOR-FXD .01UF +-20% 100VDC CER	28480	0160-3879

†Refer to Section 7 for update information.

*Factory Selected Component (Refer to Section 5).

Table 6-3. Replaceable Parts

Reference Designation	HP Part Number	C D	Qty.	Description	Mfr. Code	Mfr. Part Number
A6A1CR1	1901-0539	3		DIODE-SM SIG SCHOTTKY	28480	1901-0539
A6A1CR2	1901-0539	3		DIODE-SM SIG SCHOTTKY	28480	1901-0539
A6A1CR3	1901-0539	3		DIODE-SM SIG SCHOTTKY	28480	1901-0539
A6A1CR4	1901-0539	3		DIODE-SM SIG SCHOTTKY	28480	1901-0539
A6A1CR5	1901-0539	3		DIODE-SM SIG SCHOTTKY	28480	1901-0539
A6A1CR6	1901-0539	3		DIODE-SM SIG SCHOTTKY	28480	1901-0539
A6A1CR7	1901-0539	3		DIODE-SM SIG SCHOTTKY	28480	1901-0539
A6A1CR8	1901-0539	3		DIODE-SM SIG SCHOTTKY	28480	1901-0539
A6A1FL1	0855-0115	3	1	FILTER-CRYSTAL 40MHZ	28480	0855-0115
	0380-1959	4	8	TERMINAL-STUD SGL-TUR SWGFRM-MTG	28480	0380-1959
	0380-0730	9	4	STANDOFF-RVT-ON .188-IN-LG 4-40THD	28480	0380-0730
	0805-0782	5	8	O-RING .239-IN-ID .07-IN-XSECT-DIA EPR	76680	AS 568-010 E50
A6A1J1	1250-1220	0		CONNECTOR-RF SMC M PC 50-OHM	28480	1250-1220
	2190-0124	4		WASHER-LK INTL T NO. 10 .195-IN-ID	28480	2190-0124
	2950-0078	9		NUT-HEX-DBL-CHAM 10-32-THD .087-IN-THK	28480	2950-0078
A6A1J2	1250-1220	0		CONNECTOR-RF SMC M PC 50-OHM	28480	1250-1220
	2190-0124	4		WASHER-LK INTL T NO. 10 .195-IN-ID	28480	2190-0124
	2950-0078	9		NUT-HEX-DBL-CHAM 10-32-THD .087-IN-THK	28480	2950-0078
A6A1J3	1250-1220	0		CONNECTOR-RF SMC M PC 50-OHM	28480	1250-1220
	2190-0124	4		WASHER-LK INTL T NO. 10 .195-IN-ID	28480	2190-0124
	2950-0078	9		NUT-HEX-DBL-CHAM 10-32-THD .087-IN-THK	28480	2950-0078
A6A1L1	08662-60316	9	7		28480	08662-60316
A6A1L2	08662-60316	9			28480	08662-60316
A6A1L3	9140-0142	8		INDUCTOR RF-CH-MLD 2.2UH 10% .105DX.26LG	28480	9140-0142
A6A1L4	9140-0141	7	8	INDUCTOR RF-CH-MLD 880NH 10% .105DX.26LG	28480	9140-0141
A6A1L5	9100-2254	3	3	INDUCTOR RF-CH-MLD 390NH 10% .105DX.26LG	28480	9100-2254
A6A1L6	9140-0142	8		INDUCTOR RF-CH-MLD 2.2UH 10% .105DX.26LG	28480	9140-0142
A6A1L7	9140-0142	8		INDUCTOR RF-CH-MLD 2.2UH 10% .105DX.26LG	28480	9140-0142
A6A1L8	9100-2250	9	5	INDUCTOR RF-CH-MLD 180NH 10% .105DX.26LG	28480	9100-2250
A6A1L9	9100-2256	5	2	INDUCTOR RF-CH-MLD 560NH 10% .105DX.26LG	28480	9100-2256
A6A1L10	9140-0142	8		INDUCTOR RF-CH-MLD 2.2UH 10% .105DX.26LG	28480	9140-0142
A6A1L11	9100-2256	5		INDUCTOR RF-CH-MLD 560NH 10% .105DX.26LG	28480	9100-2256
A6A1L12	9135-0081	3		INDUCTOR, .068 UH	28480	9135-0081
A6A1L13	9100-2251	0	3	INDUCTOR RF-CH-MLD 220NH 10% .105DX.26LG	28480	9100-2251
A6A1L14	9140-0144	0		INDUCTOR RF-CH-MLD 4.7UH 10% .105DX.26LG	28480	9140-0144
A6A1L15	9140-0144	0		INDUCTOR RF-CH-MLD 4.7UH 10% .105DX.26LG	28480	9140-0144
A6A1MP1	08662-00092	2	1	COVER- 1/2 END	28480	08662-00092
	2360-0193	8	2	SCREW-MACH 6-32 .25-IN-LG PAN-HD-POZI	28480	2360-0193
	2190-0630	7	1	WASHER-LK HLCL NO. 6 .141-IN-ID	28480	2190-0630
A6A1MP2	5001-0176	0		GROUND STRAP	28480	5001-0176
A6A1MP3	5001-0176	0		GROUND STRAP	28480	5001-0176
A6A1MP4				NOT ASSIGNED		
A6A1Q1	1854-0247	9	16	TRANSISTOR NPN SI TO-39 PD=1W FT=800MHZ	28480	1854-0247
A6A1Q2	1854-0247	9		TRANSISTOR NPN SI TO-39 PD=1W FT=800MHZ	28480	1854-0247
A6A1Q3	1854-0247	9		TRANSISTOR NPN SI TO-39 PD=1W FT=800MHZ	28480	1854-0247
A6A1Q4	1854-0247	9		TRANSISTOR NPN SI TO-39 PD=1W FT=800MHZ	28480	1854-0247
A6A1Q5	1854-0247	9		TRANSISTOR NPN SI TO-39 PD=1W FT=800MHZ	28480	1854-0247
A6A1Q6	1854-0071	7	12	TRANSISTOR NPN SI PD=300MW FT=200MHZ	28480	1854-0071

†Refer to Section 7 for update information.

*Factory Selected Component (Refer to Section 5).

Table 6-3. Replaceable Parts

Reference Designation	HP Part Number	C D	Qty.	Description	Mfr. Code	Mfr. Part Number
A6A1Q7	1854-0071	7		TRANSISTOR NPN SI PO=300MW FT=200MHZ	26480	1854-0071
A6A1R1	0698-7188	8		RESISTOR 10 1% .05W F TC=0+-100	24546	C3-1/8-TO-10R-F
A6A1R2	0698-7188	8		RESISTOR 10 1% .05W F TC=0+-100	24546	C3-1/8-TO-10R-F
A6A1R3	0698-7188	8		RESISTOR 10 1% .05W F TC=0+-100	24546	C3-1/8-TO-10R-F
A6A1R4	0698-7188	8		RESISTOR 10 1% .05W F TC=0+-100	24546	C3-1/8-TO-10R-F
A6A1R5	0698-7212	9		RESISTOR 100 1% .05W F TC=0+-100	24546	C3-1/8-TO-100R-F
A6A1R6	0698-7205	0		RESISTOR 51.1 1% .05W F TC=0+-100	24546	C3-1/8-TO-51R1-F
A6A1R7	0698-7188	8		RESISTOR 10 1% .05W F TC=0+-100	24546	C3-1/8-TO-10R-F
A6A1R8	0698-7188	8		RESISTOR 10 1% .05W F TC=0+-100	24546	C3-1/8-TO-10R-F
A6A1R9	0698-7188	8		RESISTOR 10 1% .05W F TC=0+-100	24546	C3-1/8-TO-10R-F
A6A1R10	0698-7188	8		RESISTOR 10 1% .05W F TC=0+-100	24546	C3-1/8-TO-10R-F
A6A1R11	0698-7188	8		RESISTOR 10 1% .05W F TC=0+-100	24546	C3-1/8-TO-10R-F
A6A1R12	0698-7251	6	24	RESISTOR 4.22K 1% .05W F TC=0+-100	24546	C3-1/8-TO-4221-F
A6A1R13	0698-7251	6		RESISTOR 4.22K 1% .05W F TC=0+-100	24546	C3-1/8-TO-4221-F
A6A1R14	0698-7251	6		RESISTOR 4.22K 1% .05W F TC=0+-100	24546	C3-1/8-TO-4221-F
A6A1R15	0698-7267	4	2	RESISTOR 19.6K 1% .05W F TC=0+-100	24546	C3-1/8-TO-1962-F
A6A1R16	0698-7251	6		RESISTOR 4.22K 1% .05W F TC=0+-100	24546	C3-1/8-TO-4221-F
A6A1R17	0698-7236	7		RESISTOR 1K 1% .05W F TC=0+-100	24546	C3-1/8-TO-1001-F
A6A1R18	0698-7236	7		RESISTOR 1K 1% .05W F TC=0+-100	24546	C3-1/8-TO-1001-F
A6A1R19	0698-7201	8	4	RESISTOR 34.8 1% .05W F TC=0+-100	24546	C3-1/8-TO-348R-F
A6A1R20	0698-7201	8		RESISTOR 34.8 1% .05W F TC=0+-100	24546	C3-1/8-TO-348R-F
A6A1R21	0698-7239	0		RESISTOR 1.03K 1% .05W F TC=0+-100	24546	C3-1/8-TO-1331-F
A6A1R22	0698-3444	1		RESISTOR 316 1% .125W F TC=0+-100	24546	C4-1/8-TO-316R-F
A6A1R23	0698-3444	1		RESISTOR 316 1% .125W F TC=0+-100	24546	C4-1/8-TO-316R-F
A6A1R24	0698-7219	8	18	RESISTOR 186 1% .05W F TC=0+-100	24546	C3-1/8-TO-186R-F
A6A1R25	0698-7245	8	2	RESISTOR 2.37K 1% .05W F TC=0+-100	24546	C3-1/8-TO-2371-F
A6A1R26	0698-7205	0		RESISTOR 51.1 1% .05W F TC=0+-100	24546	C3-1/8-TO-51R1-F
A6A1R27	0698-7205	0		RESISTOR 51.1 1% .05W F TC=0+-100	24546	C3-1/8-TO-51R1-F
A6A1R28	0698-7236	7		RESISTOR 1K 1% .05W F TC=0+-100	24546	C3-1/8-TO-1001-F
A6A1R29	0698-7251	6		RESISTOR 4.22K 1% .05W F TC=0+-100	24546	C3-1/8-TO-4221-F
A6A1R30	0698-7236	7		RESISTOR 1K 1% .05W F TC=0+-100	24546	C3-1/8-TO-1001-F
A6A1R31	0698-7251	6		RESISTOR 4.22K 1% .05W F TC=0+-100	24546	C3-1/8-TO-4221-F
A6A1R32	0698-7236	7		RESISTOR 1K 1% .05W F TC=0+-100	24546	C3-1/8-TO-1001-F
A6A1R33	0698-7201	6		RESISTOR 34.8 1% .05W F TC=0+-100	24546	C3-1/8-TO-348R-F
A6A1R34	0698-3444	1		RESISTOR 316 1% .125W F TC=0+-100	24546	C4-1/8-TO-316R-F
A6A1R35	0698-7240	3	19	RESISTOR 1.47K 1% .05W F TC=0+-100	24546	C3-1/8-TO-1471-F
A6A1R36	0698-7215	2	6	RESISTOR 133 1% .05W F TC=0+-100	24546	C3-1/8-TO-133R-F
A6A1R37	0698-7236	7		RESISTOR 1K 1% .05W F TC=0+-100	24546	C3-1/8-TO-1001-F
A6A1R38	0698-7205	0		RESISTOR 51.1 1% .05W F TC=0+-100	24546	C3-1/8-TO-51R1-F
A6A1R39	0698-7251	6		RESISTOR 4.22K 1% .05W F TC=0+-100	24546	C3-1/8-TO-4221-F
A6A1R40	0698-7251	6		RESISTOR 4.22K 1% .05W F TC=0+-100	24546	C3-1/8-TO-4221-F
A6A1R41	0698-7251	6		RESISTOR 4.22K 1% .05W F TC=0+-100	24546	C3-1/8-TO-4221-F
A6A1R42	0698-7251	6		RESISTOR 4.22K 1% .05W F TC=0+-100	24546	C3-1/8-TO-4221-F
A6A1R43	0698-7236	7		RESISTOR 1K 1% .05W F TC=0+-100	24546	C3-1/8-TO-1001-F
A6A1R44	0698-7217	4	2	RESISTOR 182 1% .05W F TC=0+-100	24546	C3-1/8-TO-182R-F
A6A1R45	0698-7236	7		RESISTOR 1K 1% .05W F TC=0+-100	24546	C3-1/8-TO-1001-F
A6A1R46*	0698-7200	5	6	RESISTOR 31.6 1% .05W F TC=0+-100	24546	C3-1/8-TO-316R-F

† Refer to Section 7 for update information.

* Factory Selected Component (Refer to Section 5.)

Table 6-3. Replaceable Parts

Reference Designation	HP Part Number	C D	Qty.	Description	Mfr. Code	Mfr. Part Number
A6A1R47	0698-7192	4	1	RESISTOR 14.7 1% .05W F TC=0+-100	24546	C3-1/8-T0-14R7-F
A6A1R48	0698-3444	1		RESISTOR 316 1% .125W F TC=0+-100	24546	C4-1/8-T0-316R-F
A6A1R49	0698-3446	3	11	RESISTOR 383 1% .125W F TC=0+-100	24546	C4-1/8-T0-383R-F
A6A1R50	0698-7219	6		RESISTOR 196 1% .05W F TC=0+-100	24546	C3-1/8-T0-196R-F
A6A1R51	0698-7236	7		RESISTOR 1K 1% .05W F TC=0+-100	24546	C3-1/8-T0-1001-F
A6A1R52	0698-7236	7		RESISTOR 1K 1% .05W F TC=0+-100	24546	C3-1/8-T0-1001-F
A6A1T1	08662-80013	5	9	TRANSFORMER, 12T	26480	08662-80013
A6A1T2	08662-80013	5		TRANSFORMER, 12T	26480	08662-80013
A6A1T3	08662-80013	5		TRANSFORMER, 12T	26480	08662-80013
A6A1T4	08662-80013	5		TRANSFORMER, 12T	26480	08662-80013
A6A1TP1	1251-0600	0		CONNECTOR-SGL CONT PIN 1,14-MM-BSC-SZ SQ	26480	1251-0600
A6A1TP2	1251-0600	0		CONNECTOR-SGL CONT PIN 1,14-MM-BSC-SZ SQ	26480	1251-0600
A6A1TP3	1251-1556	7		CONNECTOR-SGL CONT SKT .018-IN-BSC-SZ	26480	1251-1556
A6A1TP4	1251-0600	0		CONNECTOR-SGL CONT PIN 1,14-MM-BSC-SZ SQ	26480	1251-0600
A6A1TP5	1251-0600	0		CONNECTOR-SGL CONT PIN 1,14-MM-BSC-SZ SQ	26480	1251-0600
A6A1TP6	1251-1556	7		CONNECTOR-SGL CONT SKT .018-IN-BSC-SZ	26480	1251-1556
A6A1TP7	1251-1556	7		CONNECTOR-SGL CONT SKT .018-IN-BSC-SZ	26480	1251-1556
A6A1TP8	1251-1556	7		CONNECTOR-SGL CONT SKT .018-IN-BSC-SZ	26480	1251-1556
A6A1TP9	1251-0600	0		CONNECTOR-SGL CONT PIN 1,14-MM-BSC-SZ SQ	26480	1251-0600
A6A1TP10	1251-1556	7		CONNECTOR-SGL CONT SKT .018-IN-BSC-SZ	26480	1251-1556
A6A1U1	1820-0817	8	2	IC FF ECL D-M/S DUAL	04713	MC10131P
A6A1U2	1820-1400	7	1	IC GATE ECL AND QUAD 2-INP	04713	MC10104P

† Refer to Section 7 for update information.

* Factory Selected Component (Refer to Section 5.)

Table 6-3. Replaceable Parts

Reference Designation	HP Part Number	C D	Qty.	Description	Mfr. Code	Mfr. Part Number
A6A2						
A6A2	08662-60114	5	1	LO DRIVE ASSEMBLY	28480	08662-60114
A6A2C1	0160-3879	7		CAPACITOR-FXD .01UF +20% 100VDC CER	28480	0160-3879
A6A2C2	0160-3879	7		CAPACITOR-FXD .01UF +20% 100VDC CER	28480	0160-3879
A6A2C3	0160-3879	7		CAPACITOR-FXD .01UF +20% 100VDC CER	28480	0160-3879
A6A2C4	0160-3879	7		CAPACITOR-FXD .01UF +20% 100VDC CER	28480	0160-3879
A6A2C5	0160-3879	7		CAPACITOR-FXD .01UF +20% 100VDC CER	28480	0160-3879
A6A2C6	0160-2618	2		CAPACITOR-FXD 33UF+10% 10VDC TA	25088	D33GS1B10K
A6A2C7	0160-2619	3	23	CAPACITOR-FXD 22UF+10% 16VDC TA	25088	D22GS1B15K
A6A2C8	0160-4389	6		CAPACITOR-FXD 100PF +-5PF 200VDC CER	28480	0160-4389
A6A2C9	0160-4383	0	5	CAPACITOR-FXD 6.8PF +-5PF 200VDC CER	20832	5024E0200RD689D
A6A2C10	0160-2618	2		CAPACITOR-FXD 33UF+10% 10VDC TA	25088	D33GS1B10K
A6A2C11	0160-3879	7		CAPACITOR-FXD .01UF +20% 100VDC CER	28480	0160-3879
A6A2C12	0160-4389	6		CAPACITOR-FXD 100PF +-5PF 200VDC CER	28480	0160-4389
A6A2C13	0160-2618	2		CAPACITOR-FXD 33UF+10% 10VDC TA	25088	D33GS1B10K
A6A2C14	0160-3879	7		CAPACITOR-FXD .01UF +20% 100VDC CER	28480	0160-3879
A6A2C15	0160-3879	7		CAPACITOR-FXD .01UF +20% 100VDC CER	28480	0160-3879
A6A2C16	0160-3879	7		CAPACITOR-FXD .01UF +20% 100VDC CER	28480	0160-3879
A6A2C17	0160-4493	3		CAPACITOR-FXD 27PF +-5% 200VDC CER 0+-30	28480	0160-4493
A6A2C18	0160-4527	4		CAPACITOR-FXD 56PF +-5% 200VDC CER 0+-30	28480	0160-4527
A6A2C19	0160-4527	4		CAPACITOR-FXD 56PF +-5% 200VDC CER 0+-30	28480	0160-4527
A6A2C20	0160-4527	4		CAPACITOR-FXD 56PF +-5% 200VDC CER 0+-30	28480	0160-4527
A6A2C21	0160-4389	6		CAPACITOR-FXD 100PF +-5PF 200VDC CER	28480	0160-4389
A6A2C22	0160-4389	6		CAPACITOR-FXD 100PF +-5PF 200VDC CER	28480	0160-4389
A6A2C23	0160-3879	7		CAPACITOR-FXD .01UF +20% 100VDC CER	28480	0160-3879
A6A2C24	0160-4494	4	3	CAPACITOR-FXD 39PF +-5% 200VDC CER 0+-30	28480	0160-4494
A6A2C25	0160-4527	4		CAPACITOR-FXD 56PF +-5% 200VDC CER 0+-30	28480	0160-4527
A6A2C26	0160-4527	4		CAPACITOR-FXD 56PF +-5% 200VDC CER 0+-30	28480	0160-4527
A6A2C27	0160-3879	7		CAPACITOR-FXD .01UF +20% 100VDC CER	28480	0160-3879
A6A2C28	0160-3879	7		CAPACITOR-FXD .01UF +20% 100VDC CER	28480	0160-3879
A6A2C29	0160-4350	1	2	CAPACITOR-FXD 68PF +-5% 200VDC CER 0+-30	28480	0160-4350
A6A2C30	0121-0448	9		CAPACITOR-V TRMR-CER 3.5-10PF 83V PC-MTG	28480	0121-0448
A6A2C31	0160-4383	0		CAPACITOR-FXD 6.8PF +-5PF 200VDC CER	20832	5024E0200RD689D
A6A2C32	0160-3879	7		CAPACITOR-FXD .01UF +20% 100VDC CER	28480	0160-3879
A6A2C33	0160-4350	1		CAPACITOR-FXD 68PF +-5% 200VDC CER 0+-30	28480	0160-4350
A6A2C34	0160-4497	7	4	CAPACITOR-FXD 82PF +-5% 200VDC CER 0+-30	28480	0160-4497
A6A2C35	0160-3879	7		CAPACITOR-FXD .01UF +20% 100VDC CER	28480	0160-3879
A6A2C36	0160-3874	2		CAPACITOR-FXD 10PF +-5PF 200VDC CER	28480	0160-3874
A6A2C37	0160-3879	7		CAPACITOR-FXD .01UF +20% 100VDC CER	28480	0160-3879
A6A2C38	0160-3879	7		CAPACITOR-FXD .01UF +20% 100VDC CER	28480	0160-3879
A6A2C39	0160-3879	7		CAPACITOR-FXD .01UF +20% 100VDC CER	28480	0160-3879
A6A2C40	0160-3879	7		CAPACITOR-FXD .01UF +20% 100VDC CER	28480	0160-3879
A6A2C41	0160-3879	7		CAPACITOR-FXD .01UF +20% 100VDC CER	28480	0160-3879
A6A2C42	0160-3879	7		CAPACITOR-FXD .01UF +20% 100VDC CER	28480	0160-3879
A6A2C43	0160-3879	7		CAPACITOR-FXD .01UF +20% 100VDC CER	28480	0160-3879
A6A2C44	0160-3879	7		CAPACITOR-FXD .01UF +20% 100VDC CER	28480	0160-3879

†Refer to Section 7 for update information.

*Factory Selected Component (Refer to Section 5).

Table 6-3. Replaceable Parts

Reference Designation	HP Part Number	C D	Qty.	Description	Mfr. Code	Mfr. Part Number
A6A2CR1	1901-1096	9		DIODE-PIN	28480	1901-1096
A6A2CR2	1501-1096	9		DIODE-PIN	28480	1901-1096
A6A2CR3	1901-1096	9		DIODE-PIN	28480	1901-1096
A6A2CR4	1901-1096	9		DIODE-PIN	28480	1901-1096
A6A2CR5	1901-1096	9		DIODE-PIN	28480	1901-1096
A6A2CR6	1901-1096	9		DIODE-PIN	28480	1901-1096
A6A2CR7	1901-1096	9		DIODE-PIN	28480	1901-1096
A6A2CR8	1901-1096	9		DIODE-PIN	28480	1901-1096
A6A2J1	1250-1220	0		CONNECTOR-RF SMC M PC 50-OHM	28480	1250-1220
	2190-0124	4		WASHER-LK INTL T NO. 10 .195-IN-ID	28480	2190-0124
	2950-0078	9		NUT-HEX-DBL-CHAM 10-32-THD .067-IN-THK	28480	2950-0078
A6A2J2	1250-1220	0		CONNECTOR-RF SMC M PC 50-OHM	28480	1250-1220
	2190-0124	4		WASHER-LK INTL T NO. 10 .195-IN-ID	28480	2190-0124
	2950-0078	9		NUT-HEX-DBL-CHAM 10-32-THD .067-IN-THK	28480	2950-0078
A6A2L1	08682-60316	9			28480	08682-60316
A6A2L2	9140-0158	6		INDUCTOR RF-CH-MLD 1UH 10% .105DX.26LG	28480	9140-0158
A6A2L3	9135-0072	2	7	INDUCTOR, .056 UH	28480	9135-0072
A6A2L5	9100-2255	4	7	INDUCTOR RF-CH-MLD 470NH 10% .105DX.26LG	28480	9100-2255
A6A2L7	9135-0072	2		INDUCTOR, .056 UH	28480	9135-0072
A6A2L8	9135-0078	8	2	INDUCTOR, .082 UH	28480	9135-0078
A6A2L9	9100-2250	9		INDUCTOR RF-CH-MLD 180NH 10% .105DX.26LG	28480	9100-2250
A6A2L10	9100-2250	9		INDUCTOR RF-CH-MLD 180NH 10% .105DX.26LG	28480	9100-2250
A6A2L11	9135-0078	8		INDUCTOR, .082 UH	28480	9135-0078
A6A2L12	9100-2250	9		INDUCTOR RF-CH-MLD 180NH 10% .105DX.26LG	28480	9100-2250
A6A2L13	9100-2250	9		INDUCTOR RF-CH-MLD 180NH 10% .105DX.26LG	28480	9100-2250
A6A2L14	9135-0069	7	8	INDUCTOR, .030 UH	28480	9135-0069
A6A2L15	9100-2254	3		INDUCTOR RF-CH-MLD 390NH 10% .105DX.26LG	28480	9100-2254
A6A2L16	9135-0070	0	6	INDUCTOR, .024 UH	28480	9135-0070
A6A2L17	9100-2247	4	6	INDUCTOR RF-CH-MLD 100NH 10% .105DX.26LG	28480	9100-2247
A6A2L18	9100-0368	6		INDUCTOR RF-CH-MLD 330NH 10% .105DX.26LG	28480	9100-0368
A6A2L19	9140-0158	6		INDUCTOR RF-CH-MLD 1UH 10% .105DX.26LG	28480	9140-0158
A6A2MP1	08682-00093	3	1	COVER- 1/2 END	28480	08682-00093
	2360-0113	2		SCREW-MACH 6-32 .25-IN-LG PAN-HD-POZI	00000	ORDER BY DESCRIPTION
A6A2MP3	5001-0176	0		GROUND STRAP	28480	5001-0176
A6A2MP3	5001-0176	0		GROUND STRAP	28480	5001-0176
A6A2MP4				NOT ASSIGNED		
A6A2Q1	1854-0247	9		TRANSISTOR NPN SI TO-39 PD=1W FT=800MHZ	28480	1854-0247
A6A2Q2	1854-0247	9		TRANSISTOR NPN SI TO-39 PD=1W FT=800MHZ	28480	1854-0247
A6A2Q3	1854-0247	9		TRANSISTOR NPN SI TO-39 PD=1W FT=800MHZ	28480	1854-0247
A6A2R1	0698-7212	9		RESISTOR 100 1% .05W F TC=0+-100	24546	C3-1/8-TO-100R-F
A6A2R2	0698-7212	9		RESISTOR 100 1% .05W F TC=0+-100	24546	C3-1/8-TO-100R-F
A6A2R3	0698-7212	9		RESISTOR 100 1% .05W F TC=0+-100	24546	C3-1/8-TO-100R-F
A6A2R4	0698-7249	2	11	RESISTOR 3.48K 1% .05W F TC=0+-100	24546	C3-1/8-TO-3481-F
A6A2R5	0698-7240	3		RESISTOR 1.47K 1% .05W F TC=0+-100	24546	C3-1/8-TO-1471-F
A6A2R6	0698-7188	6		RESISTOR 10 1% .05W F TC=0+-100	24546	C3-1/8-TO-10R-F
A6A2R7	0698-7236	7		RESISTOR 1K 1% .05W F TC=0+-100	24546	C3-1/8-TO-1001-F
A6A2R8	0698-7236	7		RESISTOR 1K 1% .05W F TC=0+-100	24546	C3-1/8-TO-1001-F
A6A2R9	0698-7228	7		RESISTOR 464 1% .05W F TC=0+-100	24546	C3-1/8-TO-464R-F
A6A2R10	0698-7228	7		RESISTOR 464 1% .05W F TC=0+-100	24546	C3-1/8-TO-464R-F

†Refer to Section 7 for update information.

*Factory Selected Component (Refer to Section 5).

Table 6-3. Replaceable Parts

Reference Designation	HP Part Number	C D	Qty.	Description	Mfr. Code	Mfr. Part Number
A6A2R11	0698-7205	0		RESISTOR 51.1 1% .05W F TC=0+-100	24546	C3-1/8-TO-51R1-F
A6A2R12	0698-7251	6		RESISTOR 4.22K 1% .05W F TC=0+-100	24546	C3-1/8-TO-4221-F
A6A2R13	0698-7212	9		RESISTOR 100 1% .05W F TC=0+-100	24546	C3-1/8-TO-100R-F
A6A2R14	0698-7251	6		RESISTOR 4.22K 1% .05W F TC=0+-100	24546	C3-1/8-TO-4221-F
A6A2R15	0698-7188	8		RESISTOR 10 1% .05W F TC=0+-100	24546	C3-1/8-TO-10R-F
A6A2R16	0698-7212	9		RESISTOR 100 1% .05W F TC=0+-100	24546	C3-1/8-TO-100R-F
A6A2R17	0698-7188	8		RESISTOR 10 1% .05W F TC=0+-100	24546	C3-1/8-TO-10R-F
A6A2R18	0698-7251	6		RESISTOR 4.22K 1% .05W F TC=0+-100	24546	C3-1/8-TO-4221-F
A6A2R19	0698-7251	6		RESISTOR 4.22K 1% .05W F TC=0+-100	24546	C3-1/8-TO-4221-F
A6A2R20	0698-7212	9		RESISTOR 100 1% .05W F TC=0+-100	24546	C3-1/8-TO-100R-F
A6A2R21	0698-7188	9		RESISTOR 10 1% .05W F TC=0+-100	24546	C3-1/8-TO-10R-F
A6A2R22	0698-7223	2		RESISTOR 287 1% .05W F TC=0+-100	24546	C3-1/8-TO-287R-F
A6A2R23	0698-7184	6	11	RESISTOR 17.8 1% .05W F TC=0+-100	24546	C3-1/8-TO-178R-F
A6A2R24	0698-7223	2		RESISTOR 287 1% .05W F TC=0+-100	24546	C3-1/8-TO-287R-F
A6A2R25	0698-7236	7		RESISTOR 1K 1% .05W F TC=0+-100	24546	C3-1/8-TO-1001-F
A6A2R26	0698-7236	7		RESISTOR 1K 1% .05W F TC=0+-100	24546	C3-1/8-TO-1001-F
A6A2R27	0698-7236	7		RESISTOR 1K 1% .05W F TC=0+-100	24546	C3-1/8-TO-1001-F
A6A2R28	0698-7236	7		RESISTOR 1K 1% .05W F TC=0+-100	24546	C3-1/8-TO-1001-F
A6A2R29	0698-7236	7		RESISTOR 1K 1% .05W F TC=0+-100	24546	C3-1/8-TO-1001-F
A6A2R30	0698-7251	6		RESISTOR 4.22K 1% .05W F TC=0+-100	24546	C3-1/8-TO-4221-F
A6A2R31	0698-7251	6		RESISTOR 4.22K 1% .05W F TC=0+-100	24546	C3-1/8-TO-4221-F
A6A2R32	0698-7219	6		RESISTOR 196 1% .05W F TC=0+-100	24546	C3-1/8-TO-196R-F
A6A2R33	0698-7188	8		RESISTOR 10 1% .05W F TC=0+-100	24546	C3-1/8-TO-10R-F
A6A2R34	0698-7212	9		RESISTOR 100 1% .05W F TC=0+-100	24546	C3-1/8-TO-100R-F
A6A2R35	0698-7188	8		RESISTOR 10 1% .05W F TC=0+-100	24546	C3-1/8-TO-10R-F
A6A2R36	0698-7205	0		RESISTOR 51.1 1% .05W F TC=0+-100	24546	C3-1/8-TO-51R1-F
A6A2R37	0698-7188	8		RESISTOR 10 1% .05W F TC=0+-100	24546	C3-1/8-TO-10R-F
A6A2R38	0698-7188	8		RESISTOR 10 1% .05W F TC=0+-100	24546	C3-1/8-TO-10R-F
A6A2TP1	1251-0600	0		CONNECTOR-SGL CONT PIN 1,14-MM-BSC-SZ SQ	28480	1251-0600
A6A2TP2	1251-0600	0		CONNECTOR-SGL CONT PIN 1,14-MM-BSC-SZ SQ	28480	1251-0600
A6A2TP3	1251-0600	0		CONNECTOR-SGL CONT PIN 1,14-MM-BSC-SZ SQ	28480	1251-0600
A6A2TP4	1251-0600	0		CONNECTOR-SGL CONT PIN 1,14-MM-BSC-SZ SQ	28480	1251-0600
A6A2TP5	1251-1556	7		CONNECTOR-SGL CONT SKT .018-IN-BSC-SZ	28480	1251-1556
A6A2U1	1820-0817	8		IC FF ECL D-M/S DUAL	04713	MC10131P
A6A2U2	1820-1048	7	1	IC DDDR TTL 2-TO-4-LINE DUAL 2-INP	01295	SN74156N
A6A2U3	0955-0085	8	3	MIXER, 3RA1	28480	0955-0085

† Refer to Section 7 for update information.

* Factory Selected Component (Refer to Section 5.)

6-123/
(6-124 blank)

Table 6-3. Replaceable Parts

Reference Designation	HP Part Number	C D	Qty.	Description	Mfr. Code	Mfr. Part Number
A6A3						
2234A TO 2451A A6A3 †	08862-80314	7	1	HF MULTIPLIER ASSEMBLY	28480	08862-80314
2510A AND ABOVE A6A3	08862-80327	2	1	HF MULTIPLIER ASSEMBLY	28480	08862-80327
A6A3C1	0160-3878	6		CAPACITOR-FXD 1000PF +20% 100VDC CER	28480	0160-3878
A6A3C2	0160-3878	6		CAPACITOR-FXD 1000PF +20% 100VDC CER	28480	0160-3878
A6A3C3	0160-3878	6		CAPACITOR-FXD 1000PF +20% 100VDC CER	28480	0160-3878
A6A3C4	0160-3878	6		CAPACITOR-FXD 1000PF +20% 100VDC CER	28480	0160-3878
2234A TO 2461A A6A3C5	0160-2618	2		CAPACITOR-FXD 33UF+-10% 10VDC TA	25088	D33G51B10K
2610A AND ABOVE A6A3C6	0160-0558	5		CAPACITOR-FXD 470UF+-20% 10VDC TA	56289	150D477X001052
A6A3C6	0160-2619	3		CAPACITOR-FXD 22UF+-10% 15VDC TA	25088	D22G51B15K
A6A3C7	0160-3878	6		CAPACITOR-FXD 1000PF +20% 100VDC CER	28480	0160-3878
A6A3C8	0160-3878	6		CAPACITOR-FXD 1000PF +20% 100VDC CER	28480	0160-3878
A6A3C9	0160-3878	6		CAPACITOR-FXD 1000PF +20% 100VDC CER	28480	0160-3878
A6A3C10	0160-3878	6		CAPACITOR-FXD 1000PF +20% 100VDC CER	28480	0160-3878
A6A3C11	0160-3878	6		CAPACITOR-FXD 1000PF +20% 100VDC CER	28480	0160-3878
A6A3C12	0160-3878	6		CAPACITOR-FXD 1000PF +20% 100VDC CER	28480	0160-3878
A6A3C13	0121-0449	9		CAPACITOR-V TRMR-CER 3.5-10PF 63V PC-MTG	28480	0121-0449
A6A3C14	0160-3878	6		CAPACITOR-FXD 1000PF +20% 100VDC CER	28480	0160-3878
A6A3C15	0121-0449	9		CAPACITOR-V TRMR-CER 3.5-10PF 63V PC-MTG	28480	0121-0449
A6A3C16	0121-0449	9		CAPACITOR-V TRMR-CER 3.5-10PF 63V PC-MTG	28480	0121-0449
A6A3C17	0121-0449	9		CAPACITOR-V TRMR-CER 3.5-10PF 63V PC-MTG	28480	0121-0449
A6A3C18	0160-3878	6		CAPACITOR-FXD 1000PF +20% 100VDC CER	28480	0160-3878
A6A3C19	0160-3875	3	11	CAPACITOR-FXD 22PF +5% 200VDC CER 0+-30	28480	0160-3875
A6A3C20	0160-3878	6		CAPACITOR-FXD 1000PF +20% 100VDC CER	28480	0160-3878
A6A3C21	0160-3878	6		CAPACITOR-FXD 1000PF +20% 100VDC CER	28480	0160-3878
A6A3C22	0160-3878	6		CAPACITOR-FXD 1000PF +20% 100VDC CER	28480	0160-3878
A6A3C23	0160-3878	6		CAPACITOR-FXD 1000PF +20% 100VDC CER	28480	0160-3878
A6A3C24	0160-3878	6		CAPACITOR-FXD 1000PF +20% 100VDC CER	28480	0160-3878
A6A3C25	0160-3874	2		CAPACITOR-FXD 10PF +-5PF 200VDC CER	28480	0160-3874
A6A3C27	0160-3878	6		CAPACITOR-FXD 1000PF +20% 100VDC CER	28480	0160-3878
A6A3C28	0160-3878	6		CAPACITOR-FXD 1000PF +20% 100VDC CER	28480	0160-3878
A6A3C29	0160-3878	6		CAPACITOR-FXD 1000PF +20% 100VDC CER	28480	0160-3878
A6A3C30	0160-4491	1	3	CAPACITOR-FXD 8.2PF +-5% 200VDC CER	28480	0160-4491
A6A3C31	0160-3878	6		CAPACITOR-FXD 1000PF +20% 100VDC CER	28480	0160-3878
A6A3C32	0160-3878	6		CAPACITOR-FXD 1000PF +20% 100VDC CER	28480	0160-3878
A6A3C33	0160-3878	6		CAPACITOR-FXD 1000PF +20% 100VDC CER	28480	0160-3878
A6A3C34	0160-4520	7	2	CAPACITOR-FXD 11PF +-5% 200VDC CER 0+-30	28480	0160-4520
A6A3C35	0160-3988	1	5	CAPACITOR-FXD 2.7PF +-5% 200VDC CER	51642	100-100-NP0-278J
A6A3C36	0160-3878	6		CAPACITOR-FXD 1000PF +20% 100VDC CER	28480	0160-3878
A6A3C37	0160-3878	6		CAPACITOR-FXD 1000PF +20% 100VDC CER	28480	0160-3878
2234A TO 2326A A6A3C38	0160-3878	6		CAPACITOR-FXD 1000PF +20% 100VDC CER	28480	0160-3878
2833A AND ABOVE A6A3C38	0160-4306	7	1	CAPACITOR-FXD 100PF +-100VDC CER	51959	0160-4306

†Refer to Section 7 for update information.

*Factory Selected Component (Refer to Section 5).

Table 6-3. Replaceable Parts

Reference Designation	HP Part Number	C D	Qty.	Description	Mfr. Code	Mfr. Part Number
A6A3C39	0160-3878	8		CAPACITOR-FXD 1000PF +20% 100VDC CER	28480	0160-3878
A6A3C40	0160-3878	8		CAPACITOR-FXD 1000PF +20% 100VDC CER	28480	0160-3878
A6A3C41	0160-3878	8		CAPACITOR-FXD 1000PF +20% 100VDC CER	28480	0160-3878
A6A3C42	0160-4492	2	4	CAPACITOR-FXD 18PF +5% 200VDC CER 0+-30	28480	0160-4492
A6A3C43	0160-3875	3		CAPACITOR-FXD 22PF +5% 200VDC CER 0+-30	28480	0160-3875
A6A3C44	0160-3878	6		CAPACITOR-FXD 1000PF +20% 100VDC CER	28480	0160-3878
A6A3C45	0160-3878	6		CAPACITOR-FXD 1000PF +20% 100VDC CER	28480	0160-3878
A6A3C46	0121-0447	7	2	CAPACITOR-V TRMR-CER 1.5-2.5PF 63V	28480	0121-0447
A6A3C47	0160-4383	0		CAPACITOR-FXD 6.8PF +-5PF 200VDC CER	20932	5024E0200RD689D
A6A3C48	0160-3878	6		CAPACITOR-FXD 1000PF +20% 100VDC CER	28480	0160-3878
A6A3C49	0160-4497	7		CAPACITOR-FXD 82PF +5% 200VDC CER 0+-30	28480	0160-4497
A6A3C50	0160-4490	0	4	CAPACITOR-FXD 1.8PF +-25PF 200VDC CER	28480	0160-4490
A6A3C51	0160-4389	6		CAPACITOR-FXD 100PF +-5PF 200VDC CER	28480	0160-4389
A6A3C52	0160-3875	3		CAPACITOR-FXD 22PF +5% 200VDC CER 0+-30	28480	0160-3875
A6A3C53	0160-4492	2		CAPACITOR-FXD 18PF +5% 200VDC CER 0+-30	28480	0160-4492
A6A3C54	0160-3878	6		CAPACITOR-FXD 1000PF +20% 100VDC CER	28480	0160-3878
A6A3C55	0160-3878	6		CAPACITOR-FXD 1000PF +20% 100VDC CER	28480	0160-3878
A6A3C56	0160-3878	8		CAPACITOR-FXD 1000PF +20% 100VDC CER	28480	0160-3878
A6A3C57	0160-3878	6		CAPACITOR-FXD 1000PF +20% 100VDC CER	28480	0160-3878
A6A3C58	0160-3873	1		CAPACITOR-FXD 4.7PF +-5PF 200VDC CER	28480	0160-3873
A6A3C59	0160-3878	8		CAPACITOR-FXD 1000PF +20% 100VDC CER	28480	0160-3878
A6A3C60	0160-3878	6		CAPACITOR-FXD 1000PF +20% 100VDC CER	28480	0160-3878
A6A3C61	0160-3878	6		CAPACITOR-FXD 1000PF +20% 100VDC CER	28480	0160-3878
A6A3C62	0160-3878	6		CAPACITOR-FXD 1000PF +20% 100VDC CER	28480	0160-3878
A6A3C63	0160-3878	6		CAPACITOR-FXD 1000PF +20% 100VDC CER	28480	0160-3878
A6A3C64	0160-4497	7		CAPACITOR-FXD 82PF +5% 200VDC CER 0+-30	28480	0160-4497
A6A3C65	0160-3878	6		CAPACITOR-FXD 1000PF +20% 100VDC CER	28480	0160-3878
A6A3C66	0160-3878	6		CAPACITOR-FXD 1000PF +20% 100VDC CER	28480	0160-3878
A6A3C67	0160-3878	6		CAPACITOR-FXD 1000PF +20% 100VDC CER	28480	0160-3878
A6A3C68	0160-4389	6		CAPACITOR-FXD 100PF +-5PF 200VDC CER	28480	0160-4389
A6A3C69	0160-4381	8	2	CAPACITOR-FXD 1.5PF +-25PF 200VDC CER	28480	0160-4381
A6A3C70	0160-3878	6		CAPACITOR-FXD 1000PF +20% 100VDC CER	28480	0160-3878
A6A3C71	0160-3878	6		CAPACITOR-FXD 1000PF +20% 100VDC CER	28480	0160-3878
A6A3C72	0160-3878	6		CAPACITOR-FXD 1000PF +20% 100VDC CER	28480	0160-3878
A6A3C73	0160-3878	6		CAPACITOR-FXD 1000PF +20% 100VDC CER	28480	0160-3878
A6A3C74	0160-3878	6		CAPACITOR-FXD 1000PF +20% 100VDC CER	28480	0160-3878
A6A3C75	0160-4520	7		CAPACITOR-FXD 11PF +5% 200VDC CER 0+-30	28480	0160-4520
A6A3C76	0160-3878	6		CAPACITOR-FXD 1000PF +20% 100VDC CER	28480	0160-3878
A6A3C77	0160-4381	8		CAPACITOR-FXD 1.5PF +-25PF 200VDC CER	28480	0160-4381
A6A3C78	0160-3878	6		CAPACITOR-FXD 1000PF +20% 100VDC CER	28480	0160-3878
A6A3C79	0160-3878	6		CAPACITOR-FXD 1000PF +20% 100VDC CER	28480	0160-3878
A6A3C80	0160-3878	6		CAPACITOR-FXD 1000PF +20% 100VDC CER	28480	0160-3878
A6A3C81	0121-0447	7		CAPACITOR-V TRMR-CER 1.5-2.5PF 63V	28480	0121-0447
A6A3C82	0160-3878	6		CAPACITOR-FXD 1000PF +20% 100VDC CER	28480	0160-3878
A6A3C83	0160-4491	1		CAPACITOR-FXD 8.2PF +5% 200VDC CER	28480	0160-4491
A6A3C84	0160-3878	6		CAPACITOR-FXD 1000PF +20% 100VDC CER	28480	0160-3878
A6A3C85	0160-4497	7		CAPACITOR-FXD 82PF +5% 200VDC CER 0+-30	28480	0160-4497
A6A3C86	0160-4389	6		CAPACITOR-FXD 100PF +-5PF 200VDC CER	28480	0160-4389
A6A3C87	0160-3878	6		CAPACITOR-FXD 1000PF +20% 100VDC CER	28480	0160-3878
A6A3C88	0160-4491	1		CAPACITOR-FXD 8.2PF +5% 200VDC CER	28480	0160-4491
A6A3C89	0160-3878	6		CAPACITOR-FXD 1000PF +20% 100VDC CER	28480	0160-3878
A6A3C90	0160-3878	6		CAPACITOR-FXD 1000PF +20% 100VDC CER	28480	0160-3878

†Refer to Section 7 for update information.

*Factory Selected Component (Refer to Section 5).

Table 6-3. Replaceable Parts

Reference Designation	HP Part Number	C D	Qty.	Description	Mfr. Code	Mfr. Part Number
A6A3C91	0160-3878	6		CAPACITOR-FXD 1000PF +/-20% 100VDC CER	28480	0160-3878
A6A3C92	0160-3878	6		CAPACITOR-FXD 1000PF +/-20% 100VDC CER	28480	0160-3878
2234A TO 2326A						
A6A3C93	0160-3568	1		CAPACITOR-FXD 2.7PF +/-5% 200VDC CER	51842	100-100-NP0-275J
A6A3C94	0160-5843	7	1	CAPACITOR-FXD 1000PF +/-20% 100VDC CER	28480	0160-5843
2333A AND ABOVE						
A6A3C93	0160-4382	9	2	CAPACITOR-FXD 3.3PF +/-25PF 200VDC CER	28480	0160-4382
A6A3C94	0160-4543	4	2	CAPACITOR-FXD 470PF +/-10% 100VDC CER	28480	0160-4543
A6A3C95	0160-4490	0		CAPACITOR-FXD 1.8PF +/-25PF 200VDC CER	28480	0160-4490
A6A3C96	0160-3878	8		CAPACITOR-FXD 1000PF +/-20% 100VDC CER	28480	0160-3878
A6A3C97	0160-4527	4		CAPACITOR-FXD 58PF +/-5% 200VDC CER 0+-30	28480	0160-4527
A6A3C98	0160-4490	0		CAPACITOR-FXD 1.8PF +/-25PF 200VDC CER	28480	0160-4490
2234A TO 2326A						
A6A3C99				NOT ASSIGNED		
2333A AND ABOVE						
A6A3C99	0160-4543	4		CAPACITOR-FXD 470PF +/-10% 100VDC CER	28480	0160-4543
A6A3C100	0160-4518	3	12	CAPACITOR-FXD 3.9PF +/-5PF 200VDC CER	28480	0160-4518
A6A3C101	0160-4518	3		CAPACITOR-FXD 3.9PF +/-5PF 200VDC CER	28480	0160-4518
A6A3C102	0160-4518	3		CAPACITOR-FXD 3.9PF +/-5PF 200VDC CER	28480	0160-4518
A6A3C103	0160-4518	3		CAPACITOR-FXD 3.9PF +/-5PF 200VDC CER	28480	0160-4518
A6A3C104	0160-4518	3		CAPACITOR-FXD 3.9PF +/-5PF 200VDC CER	28480	0160-4518
A6A3C105	0160-4518	3		CAPACITOR-FXD 3.9PF +/-5PF 200VDC CER	28480	0160-4518
2234A TO 2451A						
A6A3C106-109				NOT ASSIGNED		
2510A AND ABOVE						
A6A3C106	0180-2618	2		CAPACITOR-FXD 33UF +/-10% 10VDC TA	25088	D33GS1B10K
A6A3C107	0180-2618	2		CAPACITOR-FXD 33UF +/-10% 10VDC TA	25088	D33GS1B10K
A6A3C108	0180-2618	2		CAPACITOR-FXD 33UF +/-10% 10VDC TA	25088	D33GS1B10K
A6A3C109	0180-2618	2		CAPACITOR-FXD 33UF +/-10% 10VDC TA	25088	D33GS1B10K
A6A3CR1	1901-0539	3		DIODE-SM SIG SCHOTTKY	28480	1901-0539
A6A3CR2	1901-0539	3		DIODE-SM SIG SCHOTTKY	28480	1901-0539
A6A3CR3	1901-1096	9		DIODE-PIN	28480	1901-1096
A6A3CR4	1901-0539	3		DIODE-SM SIG SCHOTTKY	28480	1901-0539
A6A3CR5	1901-0539	3		DIODE-SM SIG SCHOTTKY	28480	1901-0539
A6A3CR6	1901-1096	9		DIODE-PIN	28480	1901-1096
A6A3FL1	0955-0118	4	1	FILTER 160 MHZ	28480	0955-0118
	0360-1959	4		TERMINAL .067" SHANK (4)	28480	0360-1959
	0380-0730	9		RIVET-ON STANDOFF, 4-40 (2)	28480	0380-0730
	0805-0782	5		"O" RING, .25" ID (4)	76680	AS 588-010 E50
	8150-0071	2	2	SCREW, 4-40 X .37 (2)	28480	8150-0071
A6A3J1	1250-1220	0		CONNECTOR-RF SMC M PC 50-OHM	28480	1250-1220
	2190-0124	4		WASHER-LK INTL T NO. 10, 195-IN-ID	28480	2190-0124
	2950-0078	9		NUT-HEX-DBL-CHAM 10-32-THD .067-IN-THK	28480	2950-0078
A6A3J2	1250-1220	0		CONNECTOR-RF SMC M PC 50-OHM	28480	1250-1220
	2190-0124	4		WASHER-LK INTL T NO. 10, 195-IN-ID	28480	2190-0124
	2950-0078	9		NUT-HEX-DBL-CHAM 10-32-THD .067-IN-THK	28480	2950-0078

† Refer to Section 7 for update information.

* Factory Selected Component (Refer to Section 5.)

Table 6-3. Replaceable Parts

Reference Designation	HP Part Number	C D	Qty.	Description	Mfr. Code	Mfr. Part Number
A6A3J3	1250-1220	0		CONNECTOR-RF SMC M PC 50-OHM	28480	1250-1220
	2190-0124	4		WASHER-LK INTL T NO. 10 .195-IN-ID	28480	2190-0124
	2950-0078	9		NUT-HEX-DBL-CHAM 10-32-THD .087-IN-THK	28480	2950-0078
A6A3J4	1250-1220	0		CONNECTOR-RF SMC M PC 50-OHM	28480	1250-1220
	2190-0124	4		WASHER-LK INTL T NO. 10 .195-IN-ID	28480	2190-0124
	2950-0078	9		NUT-HEX-DBL-CHAM 10-32-THD .087-IN-THK	28480	2950-0078
A6A3L1	9100-3922	4		COIL 3.0 UH	28480	9100-3922
A6A3L2	9100-3922	4		COIL 3.0 UH	28480	9100-3922
A6A3L3	9100-3922	4		COIL 3.0 UH	28400	9100-3922
A6A3L4	9100-3922	4		COIL 3.0 UH	28480	9100-3922
A6A3L5	9100-3922	4		COIL 3.0 UH	28480	9100-3922
A6A3L6	9100-3922	4		COIL 3.0 UH	28480	9100-3922
2234A TO 2451A A6A3L7	9100-3922	4		COIL 3.0 UH	28480	9100-3922
2510A AND ABOVE A6A3L7	9100-4078	3		INDUCTOR 680H 54%	28480	9100-4078
A6A3L8	9100-3922	4		COIL 3.0 UH	28480	9100-3922
A6A3L9	9135-0079	8	6	INDUCTOR, .100 UH	28480	9135-0079
A6A3L10	9135-0079	8		INDUCTOR, .100 UH	28480	9135-0079
A6A3L11	9135-0072	2		INDUCTOR, .056 UH	28480	9135-0072
A6A3L12	9135-0079	9		INDUCTOR, .100 UH	28480	9135-0079
A6A3L13	9140-0158	6		INDUCTOR RF-CH-MLD 1UH 10% .105DX.26LG	28480	9140-0158
A6A3L14	9100-0368	6		INDUCTOR RF-CH-MLD 330NH 10% .105DX.26LG	28480	9100-0368
A6A3L15	9135-0068	6	2	INDUCTOR, .033 UH	28480	9135-0068
A6A3L16	9135-0077	7	3	INDUCTOR, .036 UH	28480	9135-0077
A6A3L17	9135-0073	3	4	INDUCTOR, .051 UH	28480	9135-0073
A6A3L18	9140-0141	7		INDUCTOR RF-CH-MLD 680NH 10% .105DX.26LG	28480	9140-0141
A6A3L19				NSR, PART OF PC BOARD TRACE		
A6A3L20	9135-0072	2		INDUCTOR, .056 UH	28480	9135-0072
A6A3L21	9135-0073	3		INDUCTOR, .051 UH	28480	9135-0073
A6A3L22	9135-0076	6	4	INDUCTOR, .039 UH	28480	9135-0076
A6A3L23	9135-0079	9		INDUCTOR, .100 UH	28480	9135-0079
A6A3L24				NSR, PART OF PC BOARD TRACE		
A6A3L25	9100-2255	4		INDUCTOR RF-CH-MLD 470NH 10% .105DX.26LG	28480	9100-2255
A6A3L26	9135-0070	0		INDUCTOR, .024 UH	28480	9135-0070
A6A3L27	9135-0075	5	6	INDUCTOR, .043 UH	28480	9135-0075
A6A3L28	9135-0069	7		INDUCTOR, .030 UH	28480	9135-0069
A6A3L29				NSR, PART OF PC BOARD TRACE		
A6A3L30	9100-2255	4		INDUCTOR RF-CH-MLD 470NH 10% .105DX.26LG	28480	9100-2255
A6A3L31	9135-0081	3		INDUCTOR, .068 UH	28480	9135-0081
A6A3L32	9135-0075	5		INDUCTOR, .043 UH	28480	9135-0075
A6A3L33				NSR, PART OF PC BOARD TRACE		
A6A3L34	9135-0069	6		INDUCTOR, .033 UH	28480	9135-0069
A6A3L35	9135-0076	6		INDUCTOR, .039 UH	28480	9135-0076
A6A3L36	9135-0075	5		INDUCTOR, .043 UH	28480	9135-0075
A6A3L37	9140-0141	7		INDUCTOR RF-CH-MLD 680NH 10% .105DX.26LG	28480	9140-0141
A6A3L38	9140-0141	7		INDUCTOR RF-CH-MLD 680NH 10% .105DX.26LG	28480	9140-0141
A6A3L39	9140-0144	0		INDUCTOR RF-CH-MLD 4.7UH 10% .105DX.26LG	28480	9140-0144

† Refer to Section 7 for update information.

* Factory Selected Component (Refer to Section 5.)

Table 6-3. Replaceable Parts

Reference Designation	HP Part Number	C D	Qty.	Description	Mfr. Code	Mfr. Part Number
2234A TO 2447A A6A3MP1 2449A AND ABOVE A6A3MP1	08662-00079	5	1	COVER, FULL END	28480	08662-00079
	08662-00220	8	1	COVER, FULL END	28480	08662-00220
	2360-0113	2		SCREW-MACH 6-32 .25-IN-LG PAN-HD-POZI	00000	ORDER BY DESCRIPTION
A6A3MP2	5001-0176	0		GROUND STRAP	28480	5001-0176
A6A3MP3	5001-0176	0		GROUND STRAP	28480	5001-0176
A6A3MP4	08662-00164	9	1	SHIELD, HF MULTIPLEXER	28480	08662-00164
A6A3MP5	08662-00170	7	2	SHIELD, CIRCUIT, LARGE	28480	08662-00170
A6A3MP6	08662-00041	1		SHIELD, COMP. LARGE	28480	08662-00041
2234A TO 2326A A6A3Q1 2339A AND ABOVE A6A3Q1	1854-0980	7	1	TRANSISTOR NPN SI PD=500MW	28480	1854-0980
	1854-0720	3		TRANSISTOR NPN SI PD=500MW FT=4GHZ	28480	1854-0720
A6A3Q2	1854-0610	0	3	TRANSISTOR NPN SI TO-46 FT=800MHZ	28480	1854-0610
A6A3Q3	1854-0071	7		TRANSISTOR NPN SI PD=300MW FT=200MHZ	28480	1854-0071
A6A3Q4	1854-0720	3	3	TRANSISTOR NPN SI PD=500MW FT=4GHZ	28480	1854-0720
A6A3Q5	1854-0720	3	3	TRANSISTOR NPN SI PD=500MW FT=4GHZ	28480	1854-0720
A6A3Q6	1854-0247	9		TRANSISTOR NPN SI TO-39 PD=1W FT=800MHZ	28480	1854-0247
A6A3Q7	1854-0610	0		TRANSISTOR NPN SI TO-46 FT=800MHZ	28480	1854-0610
A6A3Q8	1854-0247	9		TRANSISTOR NPN SI TO-39 PD=1W FT=800MHZ	28480	1854-0247
A6A3Q9	1854-0610	0		TRANSISTOR NPN SI TO-46 FT=800MHZ	28480	1854-0610
A6A3Q10	1854-0720	3		TRANSISTOR NPN SI PD=500MW FT=4GHZ	28480	1854-0720
A6A3Q11	1854-0071	7		TRANSISTOR NPN SI PD=300MW FT=200MHZ	28480	1854-0071
A6A3R1	0698-7224	3	24	RESISTOR 316 1% .05W F TC=0+-100	24546	C3-1/8-TO-316R-F
A6A3R2	0698-7267	4		RESISTOR 19.8K 1% .05W F TC=0+-100	24546	C3-1/8-TO-1982-F
A6A3R3	0698-7243	8	4	RESISTOR 1.98K 1% .05W F TC=0+-100	24546	C3-1/8-TO-1981-F
A6A3R4	0698-3446	3		RESISTOR 383 1% .125W F TC=0+-100	24546	C4-1/8-TO-383R-F
A6A3R5	0698-3446	3		RESISTOR 383 1% .125W F TC=0+-100	24546	C4-1/8-TO-383R-F
A6A3R6	0698-3446	3		RESISTOR 383 1% .125W F TC=0+-100	24546	C4-1/8-TO-383R-F
A6A3R7	0757-1002	9	1	RESISTOR 61.9 1% .5W F TC=0+-100	28480	0757-1002
A6A3R8	0698-7205	0		RESISTOR 51.1 1% .05W F TC=0+-100	24546	C3-1/8-TO-51R1-F
A6A3R9	0698-7238	9		RESISTOR 1.21K 1% .05W F TC=0+-100	24546	C3-1/8-TO-1211-F
A6A3R10	0698-7219	6		RESISTOR 196 1% .05W F TC=0+-100	24546	C3-1/8-TO-196R-F
A6A3R11	0698-7255	0	7	RESISTOR 6.19K 1% .05W F TC=0+-100	24546	C3-1/8-TO-6191-F
A6A3R12	0698-7219	8		RESISTOR 196 1% .05W F TC=0+-100	24546	C3-1/8-TO-196R-F
A6A3R13	0698-7250	5	4	RESISTOR 3.83K 1% .05W F TC=0+-100	24546	C3-1/8-TO-3831-F
A6A3R14	0699-1902	4		RESISTOR 10 1% .05W F TC=0+-100	28480	0699-1902
A6A3R15	0698-3446	3		RESISTOR 383 1% .125W F TC=0+-100	24546	C4-1/8-TO-383R-F
A6A3R16	0699-1902	4		RESISTOR 10 1% .05W F TC=0+-100	28480	0699-1902
A6A3R17	0698-7249	2		RESISTOR 3.48K 1% .05W F TC=0+-100	24546	C3-1/8-TO-3481-F
A6A3R18	0698-7188	8		RESISTOR 10 1% .05W F TC=0+-100	24546	C3-1/8-TO-10R-F
A6A3R19	0698-3439	4		RESISTOR 178 1% .125W F TC=0+-100	24546	C4-1/8-TO-178R-F
A6A3R20	0698-7207	2		RESISTOR 61.9 1% .05W F TC=0+-100	24546	C3-1/8-TO-61R9-F
A6A3R21	0698-7188	8		RESISTOR 10 1% .05W F TC=0+-100	24546	C3-1/8-TO-10R-F
A6A3R22	0698-7188	8		RESISTOR 10 1% .05W F TC=0+-100	24546	C3-1/8-TO-10R-F
A6A3R23	0698-7226	5	5	RESISTOR 383 1% .05W F TC=0+-100	24546	C3-1/8-TO-383R-F
A6A3R24	0698-7255	0		RESISTOR 6.19K 1% .05W F TC=0+-100	24546	C3-1/8-TO-6191-F
A6A3R25	0698-7249	2		RESISTOR 3.48K 1% .05W F TC=0+-100	24546	C3-1/8-TO-3481-F

†Refer to Section 7 for update information.

*Factory Selected Component (Refer to Section 5).

Table 6-3. Replaceable Parts

Reference Designation	HP Part Number	C D	Qty.	Description	Mfr. Code	Mfr. Part Number
A6A3R26	0699-1902	4		RESISTOR 10 1% .05W F TC=0+-100	28480	0699-1902
A6A3R27	0698-7236	7		RESISTOR 1K 1% .05W F TC=0+-100	24546	C3-1/8-T0-1001-F
A6A3R28	0699-1903	5		RESISTOR 51.1 1% .05W F TC=0+-100	28480	0699-1903
A6A3R29	0698-7207	2		RESISTOR 61.9 1% .05W F TC=0+-100	24546	C3-1/8-T0-61R9-F
A6A3R30	0698-7236	7		RESISTOR 1K 1% .05W F TC=0+-100	24546	C3-1/8-T0-1001-F
A6A3R31	0698-7255	0		RESISTOR 6.19K 1% .05W F TC=0+-100	24546	C3-1/8-T0-6191-F
A6A3R32	0698-7236	7		RESISTOR 1K 1% .05W F TC=0+-100	24546	C3-1/8-T0-1001-F
A6A3R33	0698-7188	8		RESISTOR 10 1% .05W F TC=0+-100	24546	C3-1/8-T0-10R-F
A6A3R34	0698-7249	2		RESISTOR 3.48K 1% .05W F TC=0+-100	24546	C3-1/8-T0-3481-F
A6A3R35	0698-7219	6		RESISTOR 196 1% .05W F TC=0+-100	24546	C3-1/8-T0-196R-F
A6A3R36	0698-7180	2		RESISTOR 12.1 1% .05W F TC=0+-100	24546	C3-1/8-T0-12R1-F
A6A3R37	0698-7207	2	5	RESISTOR 61.9 1% .05W F TC=0+-100	24546	C3-1/8-T0-61R9-F
A6A3R38	0699-1902	4		RESISTOR 10 1% .05W F TC=0+-100	28480	0699-1902
A6A3R40	0698-7240	3		RESISTOR 1.47K 1% .05W F TC=0+-100	24546	C3-1/8-T0-1471-F
A6A3R41	0698-7249	2		RESISTOR 3.48K 1% .05W F TC=0+-100	24546	C3-1/8-T0-3481-F
A6A3R42	0698-7212	9		RESISTOR 100 1% .05W F TC=0+-100	24546	C3-1/8-T0-100R-F
A6A3R43	0699-1903	5		RESISTOR 51.1 1% .05W F TC=0+-100	28480	0699-1903
A6A3R44	0698-7188	8		RESISTOR 10 1% .05W F TC=0+-100	24546	C3-1/8-T0-10R-F
A6A3R45	0698-7260	7	15	RESISTOR 10K 1% .05W F TC=0+-100	24546	C3-1/8-T0-1002-F
A6A3R46	0698-7229	8	40	RESISTOR 511 1% .05W F TC=0+-100	24546	C3-1/8-T0-511R-F
A6A3R47	0698-7255	0		RESISTOR 6.19K 1% .05W F TC=0+-100	24546	C3-1/8-T0-6191-F
A6A3R48	0698-7198	8	17	RESISTOR 21.5 1% .05W F TC=0+-100	24546	C3-1/8-T0-21R5-F
A6A3R49	0698-7249	2		RESISTOR 3.48K 1% .05W F TC=0+-100	24546	C3-1/8-T0-3481-F
A6A3R50	0698-7207	2	5	RESISTOR 61.9 1% .05W F TC=0+-100	24546	C3-1/8-T0-61R9-F
A6A3R51	0699-1902	4		RESISTOR 10 1% .05W F TC=0+-100	28480	0699-1902
A6A3R52	0698-7212	9		RESISTOR 100 1% .05W F TC=0+-100	24546	C3-1/8-T0-100R-F
A6A3R53	0698-7226	7		RESISTOR 464 1% .05W F TC=0+-100	24546	C3-1/8-T0-464R-F
A6A3R54	0698-7212	9		RESISTOR 100 1% .05W F TC=0+-100	24546	C3-1/8-T0-100R-F
A6A3R55	0699-1902	4		RESISTOR 10 1% .05W F TC=0+-100	28480	0699-1902
A6A3R56	0698-7240	3		RESISTOR 1.47K 1% .05W F TC=0+-100	24546	C3-1/8-T0-1471-F
A6A3R57	0698-7228	7		RESISTOR 464 1% .05W F TC=0+-100	24546	C3-1/8-T0-464R-F
A6A3R58	0698-7219	6		RESISTOR 196 1% .05W F TC=0+-100	24546	C3-1/8-T0-196R-F
A6A3R59	0698-3446	3		RESISTOR 383 1% .125W F TC=0+-100	24546	C4-1/8-T0-383R-F
A6A3R60	0699-1902	4		RESISTOR 10 1% .05W F TC=0+-100	28480	0699-1902
A6A3R61	0698-7249	2		RESISTOR 3.48K 1% .05W F TC=0+-100	24546	C3-1/8-T0-3481-F
A6A3R62	0699-1902	4		RESISTOR 10 1% .05W F TC=0+-100	28480	0699-1902
A6A3R63	0698-7188	8		RESISTOR 10 1% .05W F TC=0+-100	24546	C3-1/8-T0-10R-F
A6A3R64	0698-7229	8		RESISTOR 511 1% .05W F TC=0+-100	24546	C3-1/8-T0-511R-F
A6A3R65	0698-7212	9		RESISTOR 100 1% .05W F TC=0+-100	24546	C3-1/8-T0-100R-F
A6A3R66	0698-7198	8		RESISTOR 21.5 1% .05W F TC=0+-100	24546	C3-1/8-T0-21R5-F
A6A3R67	0698-7212	9		RESISTOR 100 1% .05W F TC=0+-100	24546	C3-1/8-T0-100R-F
A6A3R68	0698-3446	3		RESISTOR 383 1% .125W F TC=0+-100	24546	C4-1/8-T0-383R-F
A6A3R69	0699-1902	4		RESISTOR 10 1% .05W F TC=0+-100	28480	0699-1902
A6A3R70				NOT ASSIGNED		
A6A3R71	0698-7255	0		RESISTOR 6.19K 1% .05W F TC=0+-100	24546	C3-1/8-T0-6191-F
A6A3R72	0698-7212	9		RESISTOR 100 1% .05W F TC=0+-100	24546	C3-1/8-T0-100R-F
A6A3R73	0698-7249	2		RESISTOR 3.48K 1% .05W F TC=0+-100	24546	C3-1/8-T0-3481-F
A6A3R74	0698-7207	2		RESISTOR 61.9 1% .05W F TC=0+-100	24546	C3-1/8-T0-61R9-F

†Refer to Section 7 for update information.

*Factory Selected Component (Refer to Section 5).

Table 6-3. Replaceable Parts

Reference Designation	HP Part Number	C D	Qty.	Description	Mfr. Code	Mfr. Part Number
A6A3R75	0699-1902	4		RESISTOR 10 1% .05W F TC=0+-100	28480	0699-1902
A6A3R76	0698-7298	9		RESISTOR 147K 1% .05W F TC=0+-100	24546	C3-1/8-TO-1473-F
A6A3R77	0698-7238	7		RESISTOR 1K 1% .05W F TC=0+-100	24546	C3-1/8-TO-1001-F
A6A3R78	0698-7224	3		RESISTOR 316 1% .05W F TC=0+-100	24546	C3-1/8-TO-316R-F
A6A3R79	0698-7194	6		RESISTOR 17.8 1% .05W F TC=0+-100	24546	C3-1/8-TO-17R8-F
A6A3R80	0698-7224	3		RESISTOR 316 1% .05W F TC=0+-100	24546	C3-1/8-TO-316R-F
2234A TO 2326A A6A3R81-83 2333A AND ABOVE				NOT ASSIGNED		
A6A3R81*	0699-0183	1	2	RESISTOR 438 5% .1W C TC=0+-200	28480	0699-0183
A6A3R82*	0699-0174	0	3	RESISTOR 11.8 5% .1W C TC=0+-200	28480	0699-0174
A6A3R83*	0699-0183	1		RESISTOR 438 5% .1W C TC=0+-200	28480	0699-0183
2234A TO 2405A A6A3R84 2408A AND ABOVE				NOT ASSIGNED		
A6A3R84*	0698-7198	0	9	RESISTOR 26.1 1% .05W F TC=0+-100	24546	C3-1/8-TO-26R1-F
A6A3T1	08662-80004	4	1	TRANSFORMER	28480	08662-80004
A6A3T2	08662-80012	4	1	TRANSFORMER	28480	08662-80012
A6A3TP1	1251-0600	0		CONNECTOR-SGL CONT PIN 1.14-MM-BSC-SZ SQ	28480	1251-0600
A6A3TP2	1251-1556	7		CONNECTOR-SGL CONT SKT .018-IN-BSC-SZ	28480	1251-1556
A6A3TP3	1251-0600	0		CONNECTOR-SGL CONT PIN 1.14-MM-BSC-SZ SQ	28480	1251-0600
A6A3TP4	1251-0600	0		CONNECTOR-SGL CONT PIN 1.14-MM-BSC-SZ SQ	28480	1251-0600
A6A3TP5	1251-0600	0		CONNECTOR-SGL CONT PIN 1.14-MM-BSC-SZ SQ	28480	1251-0600
A6A3TP6	1251-0600	0		CONNECTOR-SGL CONT PIN 1.14-MM-BSC-SZ SQ	28480	1251-0600
A6A3TP7	1251-0600	0		CONNECTOR-SGL CONT PIN 1.14-MM-BSC-SZ SQ	28480	1251-0600
A6A3TP8	1251-1556	7		CONNECTOR-SGL CONT SKT .018-IN-BSC-SZ	28480	1251-1556
A6A3TP9	1251-0600	0		CONNECTOR-SGL CONT PIN 1.14-MM-BSC-SZ SQ	28480	1251-0600
A6A3TP10	1251-1556	7		CONNECTOR-SGL CONT SKT .018-IN-BSC-SZ	28480	1251-1556
A6A3TP11	1251-0600	0		CONNECTOR-SGL CONT PIN 1.14-MM-BSC-SZ SQ	28480	1251-0600
A6A3TP12	1251-1556	7		CONNECTOR-SGL CONT SKT .018-IN-BSC-SZ	28480	1251-1556
A6A3TP13	1251-0600	0		CONNECTOR-SGL CONT PIN 1.14-MM-BSC-SZ SQ	28480	1251-0600
A6A3TP14	1251-0600	0		CONNECTOR-SGL CONT PIN 1.14-MM-BSC-SZ SQ	28480	1251-0600
A6A3TP15	1251-0600	0		CONNECTOR-SGL CONT PIN 1.14-MM-BSC-SZ SQ	28480	1251-0600
A6A3TP16	1251-1556	7		CONNECTOR-SGL CONT SKT .018-IN-BSC-SZ	28480	1251-1556
A6A3TP17	1251-0600	0		CONNECTOR-SGL CONT PIN 1.14-MM-BSC-SZ SQ	28480	1251-0600
A6A3U1	0955-0096	9	4	MIXER, SRAI	28480	0955-0096
A6A3U2	1826-0372	2	19	IC, LIMITER	28480	1826-0372
A6A3U3	1826-0372	2		IC, LIMITER	28480	1826-0372
A6A3U4	0955-0096	9		MIXER, SRAI	28480	0955-0096
A6A3U5	1826-0372	2		IC, LIMITER	28480	1826-0372
A6A3U6	1826-0372	2		IC, LIMITER	28480	1826-0372
A6A3U7	1826-0372	2		IC, LIMITER	28480	1826-0372
A6A3U8	1826-0372	2		IC, LIMITER	28480	1826-0372
A6A3U9	1820-2140	4	1	IC CNTR ECL	52648	SP8610BDG
A6A3U10	0955-0096	9		MIXER, SRAI	28480	0955-0096
A6A3VR1	1902-3171	7	5	DIODE-ZNR 11V 5% DO-35 PD=.4W TC=+.082%	28480	1902-3171
A6A3VR2	1902-0041	4	3	DIODE-ZNR 5.11V 5% DO-35 PD=.4W	28480	1902-0041
A6A3W1	08662-20058	0	1	CABLE, SEMI-RIGID	28480	08662-20058
A6A3W2	08662-20057	1	1	CABLE, SEMI-RIGID	28480	08662-20057
A6A3W3	08662-20078	6	1	CABLE, SEMI-RIGID	28480	08662-20078

†Refer to Section 7 for update information.

*Factory Selected Component (Refer to Section 5).

Table 6-3. Replaceable Parts

Reference Designation	HP Part Number	C D	Qty.	Description	Mfr. Code	Mfr. Part Number
A6A4						
<i>2234A TO 2704A</i>						
A6A4	08882-60106	7	1	PHASE DETECTOR, OUTPUT SUM (OS) LOOP	28480	08882-60108
<i>2706A AND ABOVE</i>						
A6A4	08882-60358	9	1	PHASE DETECTOR, OUTPUT SUM (OS) LOOP	28480	08882-60358
A6A4C1	0160-3879	7		CAPACITOR-FXD .01UF +-20% 100VDC CER	28480	0160-3879
A6A4C2	0160-3879	7		CAPACITOR-FXD .01UF +-20% 100VDC CER	28480	0160-3879
A6A4C3	0160-2618	2		CAPACITOR-FXD 33UF+-10% 10VDC TA	25088	D93GS1B10K
A6A4C4	0160-3879	7		CAPACITOR-FXD .01UF +-20% 100VDC CER	28480	0160-3879
A6A4C5	0160-2618	2		CAPACITOR-FXD 33UF+-10% 10VDC TA	25088	D93GS1B10K
A6A4C6	0160-2617	1		CAPACITOR-FXD 6.8UF+-10% 35VDC TA	25088	D6F8GS1B35K
A6A4C7	0160-0141	2	3	CAPACITOR-FXD 50UF+75-10% 50VDC AL	58299	30D506G050DD2
A6A4C8	0160-2208	6		CAPACITOR-FXD 220UF+-10% 10VDC TA	58299	150D227X9010S2
A6A4C9	0160-2619	3		CAPACITOR-FXD 22UF+-10% 15VDC TA	25088	D22GS1B15K
A6A4C10	0160-3701	6		CAPACITOR-FXD 2.2UF+-10% 75VDC TA	28480	0160-3701
A6A4C11	0160-3879	7		CAPACITOR-FXD .01UF +-20% 100VDC CER	28480	0160-3879
A6A4C12	0160-3878	6		CAPACITOR-FXD 1000PF +-20% 100VDC CER	28480	0160-3878
A6A4C13	0160-2620	6		CAPACITOR-FXD 2.2UF+-10% 50VDC TA	25088	D2R2GS1B50K
A6A4C14	0160-0575	4		CAPACITOR-FXD .047UF +-20% 50VDC CER	28480	0160-0575
A6A4C15	0160-3701	6		CAPACITOR-FXD 2.2UF+-10% 75VDC TA	28480	0160-3701
A6A4C16	0160-3879	7		CAPACITOR-FXD .01UF +-20% 100VDC CER	28480	0160-3879
A6A4C17	0160-3879	7		CAPACITOR-FXD .01UF +-20% 100VDC CER	28480	0160-3879
A6A4C18	0160-3879	7		CAPACITOR-FXD .01UF +-20% 100VDC CER	28480	0160-3879
A6A4C19	0160-3878	6		CAPACITOR-FXD 1000PF +-20% 100VDC CER	28480	0160-3878
A6A4C20	0160-3879	7		CAPACITOR-FXD .01UF +-20% 100VDC CER	28480	0160-3879
A6A4C21	0160-3879	7		CAPACITOR-FXD .01UF +-20% 100VDC CER	28480	0160-3879
A6A4C22	0160-3879	7		CAPACITOR-FXD .01UF +-20% 100VDC CER	28480	0160-3879
A6A4C23	0160-3879	7		CAPACITOR-FXD .01UF +-20% 100VDC CER	28480	0160-3879
A6A4C24	0160-2620	6		CAPACITOR-FXD 2.2UF+-10% 50VDC TA	25088	D2R2GS1B50K
A6A4C25	0160-3878	6		CAPACITOR-FXD 1000PF +-20% 100VDC CER	28480	0160-3878
A6A4C26	0160-2618	2		CAPACITOR-FXD 33UF+-10% 10VDC TA	25088	D33GS1B10K
A6A4C27	0160-3879	7		CAPACITOR-FXD .01UF +-20% 100VDC CER	28480	0160-3879
A6A4C28	0160-2619	3		CAPACITOR-FXD 22UF+-10% 15VDC TA	25088	D22GS1B15K
A6A4C29	0160-2619	3		CAPACITOR-FXD 22UF+-10% 15VDC TA	25088	D22GS1B15K
A6A4C30	0160-3879	7		CAPACITOR-FXD .01UF +-20% 100VDC CER	28480	0160-3879
A6A4C31	0160-3879	7		CAPACITOR-FXD .01UF +-20% 100VDC CER	28480	0160-3879
A6A4C32	0160-3879	7		CAPACITOR-FXD .01UF +-20% 100VDC CER	28480	0160-3879
A6A4C33	0160-3877	5		CAPACITOR-FXD 100PF +-20% 200VDC CER	28480	0160-3877
A6A4C34	0160-3877	5		CAPACITOR-FXD 100PF +-20% 200VDC CER	28480	0160-3877
A6A4C35	0160-0575	4		CAPACITOR-FXD .047UF +-20% 50VDC CER	28480	0160-0575
A6A4C36	0160-4498	8	2	CAPACITOR-FXD 5.6PF +-5PF 200VDC CER	28480	0160-4498
A6A4C37	0160-0572	1	3	CAPACITOR-FXD 2200PF +-20% 100VDC CER	28480	0160-0572
A6A4C38	0160-0573	2		CAPACITOR-FXD 4700PF +-20% 100VDC CER	28480	0160-0573
A6A4C39	0160-3879	7		CAPACITOR-FXD .01UF +-20% 100VDC CER	28480	0160-3879
A6A4C40	0160-0574	3	2	CAPACITOR-FXD .022UF +-20% 100VDC CER	28480	0160-0574
A6A4C41	0160-0575	4		CAPACITOR-FXD .047UF +-20% 50VDC CER	28480	0160-0575
A6A4C42	0160-3878	6		CAPACITOR-FXD 1000PF +-20% 100VDC CER	28480	0160-3878
A6A4C43	0160-3878	6		CAPACITOR-FXD 1000PF +-20% 100VDC CER	28480	0160-3878
A6A4C44	0160-3878	6		CAPACITOR-FXD 1000PF +-20% 100VDC CER	28480	0160-3878
A6A4C45	0160-3878	6		CAPACITOR-FXD 1000PF +-20% 100VDC CER	28480	0160-3878

† Refer to Section 7 for update information.

* Factory Selected Component (Refer to Section 5).

Table 6-3. Replaceable Parts

Reference Designation	HP Part Number	C D	Qty.	Description	Mfr. Code	Mfr. Part Number
A8A4C46	0160-2209	5	4	CAPACITOR-FXD 380PF +5% 300VDC MICA	28480	0160-2209
A8A4C47	0160-4084	8	5	CAPACITOR-FXD .1UF +20% 50VDC CER	28480	0160-4084
A8A4C48	0160-2819	3		CAPACITOR-FXD 22UF+10% 15VDC TA	25088	D22G51B15K
A8A4C49	0160-0573	2		CAPACITOR-FXD 4700PF +20% 100VDC CER	28480	0160-0573
A8A4C50	0160-0570	9	5	CAPACITOR-FXD 220PF +20% 100VDC CER	20832	5024EM100RD221M
A8A4C51	0160-3879	7		CAPACITOR-FXD .01UF +20% 100VDC CER	28480	0160-3879
A8A4C52	0160-0575	4		CAPACITOR-FXD .047UF +20% 50VDC CER	28480	0160-0575
A8A4C53	0160-3875	3		CAPACITOR-FXD 22PF +5% 200VDC CER 0+30	28480	0160-3875
A8A4C54	0160-2819	3		CAPACITOR-FXD 22UF+10% 15VDC TA	25088	D22G51B15K
A8A4C55	0160-3879	7		CAPACITOR-FXD .01UF +20% 100VDC CER	28480	0160-3879
A8A4C56	0160-3876	4		CAPACITOR-FXD 47PF +20% 200VDC CER	28480	0160-3876
A8A4C57	0160-3879	7		CAPACITOR-FXD .01UF +20% 100VDC CER	28480	0160-3879
A8A4C58	0160-3879	7		CAPACITOR-FXD .01UF +20% 100VDC CER	28480	0160-3879
A8A4C59	0160-3877	5		CAPACITOR-FXD 100PF +20% 200VDC CER	28480	0160-3877
A8A4C60	0160-0573	2		CAPACITOR-FXD 4700PF +20% 100VDC CER	28480	0160-0573
A8A4C61	0160-0573	2		CAPACITOR-FXD 4700PF +20% 100VDC CER	28480	0160-0573
A8A4C62	0160-3877	5		CAPACITOR-FXD 100PF +20% 200VDC CER	28480	0160-3877
A8A4C63	0160-0573	2		CAPACITOR-FXD 4700PF +20% 100VDC CER	28480	0160-0573
A8A4C64	0160-0573	2		CAPACITOR-FXD 4700PF +20% 100VDC CER	28480	0160-0573
A8A4C65	0160-0298	8	2	CAPACITOR-FXD 1500PF +10% 200VDC POLYE	28480	0160-0298
A8A4C66	0160-3879	7		CAPACITOR-FXD .01UF +20% 100VDC CER	28480	0160-3879
A8A4C67	0160-3879	7		CAPACITOR-FXD .01UF +20% 100VDC CER	28480	0160-3879
A8A4C68	0160-2209	5		CAPACITOR-FXD 380PF +5% 300VDC MICA	28480	0160-2209
A8A4C69	0160-0571	0		CAPACITOR-FXD 470PF +20% 100VDC CER	28480	0160-0571
A8A4C70	0160-3879	7		CAPACITOR-FXD .01UF +20% 100VDC CER	28480	0160-3879
A8A4C71	0140-0198	5	2	CAPACITOR-FXD 200PF +5% 300VDC MICA	72138	DM15F201J0300WV1CR
A8A4C72	0160-4388	8		CAPACITOR-FXD 100PF +5PF 200VDC CER	28480	0160-4388
A8A4C73	0160-4103	2		CAPACITOR-FXD 220PF +5% 100VDC CER	72982	8121-M100-COG-221J
A8A4C74	0160-0570	9		CAPACITOR-FXD 220PF +20% 100VDC CER	20832	5024EM100RD221M
A8A4CR1	1901-0050	3		DIODE-SWITCHING 80V 200MA 2NS DO-35	28480	1901-0050
2234A to 2823A A8A4C75				NOT ASSIGNED		
2837A and above A8A4C75	0160-4801	7		CAPACITOR-FXD 100PF +5% 100VDC CER	28480	0160-4801
A8A4CR2	1901-0050	3		DIODE-SWITCHING 80V 200MA 2NS DO-35	28480	1901-0050
A8A4CR3	1901-0050	3		DIODE-SWITCHING 80V 200MA 2NS DO-35	28480	1901-0050
A8A4CR4	1901-0050	3		DIODE-SWITCHING 80V 200MA 2NS DO-35	28480	1901-0050
A8A4CR5	1901-0050	3		DIODE-SWITCHING 80V 200MA 2NS DO-35	28480	1901-0050
A8A4CR6	1901-0050	3		DIODE-SWITCHING 80V 200MA 2NS DO-35	28480	1901-0050
A8A4CR9	1901-0050	3		DIODE-SWITCHING 80V 200MA 2NS DO-35	28480	1901-0050
A8A4CR10	1901-0050	3		DIODE-SWITCHING 80V 200MA 2NS DO-35	28480	1901-0050
A8A4CR11	1901-0050	3		DIODE-SWITCHING 80V 200MA 2NS DO-35	28480	1901-0050
A8A4CR12	1901-0050	3		DIODE-SWITCHING 80V 200MA 2NS DO-35	28480	1901-0050
A8A4CR13	1901-0050	3		DIODE-SWITCHING 80V 200MA 2NS DO-35	28480	1901-0050
A8A4CR14	1901-0050	3		DIODE-SWITCHING 80V 200MA 2NS DO-35	28480	1901-0050
A8A4CR15	1901-0050	3		DIODE-SWITCHING 80V 200MA 2NS DO-35	28480	1901-0050
A8A4CR16	1901-0050	3		DIODE-SWITCHING 80V 200MA 2NS DO-35	28480	1901-0050
A8A4CR17	1901-0050	3		DIODE-SWITCHING 80V 200MA 2NS DO-35	28480	1901-0050
A8A4CR18	1901-0050	3		DIODE-SWITCHING 80V 200MA 2NS DO-35	28480	1901-0050
A8A4CR19	1901-0050	3		DIODE-SWITCHING 80V 200MA 2NS DO-35	28480	1901-0050
A8A4CR20	1901-0050	3		DIODE-SWITCHING 80V 200MA 2NS DO-35	28480	1901-0050
A8A4CR21	1901-0050	3		DIODE-SWITCHING 80V 200MA 2NS DO-35	28480	1901-0050
A8A4CR22	1901-0518	8		DIODE-SM SIG SCHOTTKY	28480	1901-0518

†Refer to Section 7 for update information.

*Factory Selected Component (Refer to Section 5).

Table 6-3. Replaceable Parts

Reference Designation	HP Part Number	C D	Qty.	Description	Mfr. Code	Mfr. Part Number
A6A4CR23	1901-0050	3		DIODE-SWITCHING 80V 200MA 2NS DO-35	28480	1901-0050
A6A4CR24	1901-0518	8		DIODE-SM SIG SCHOTTKY	28480	1901-0518
A6A4CR25	1901-0518	8		DIODE-SM SIG SCHOTTKY	28480	1901-0518
A6A4CR26	1901-0518	8		DIODE-SM SIG SCHOTTKY	28480	1901-0518
A6A4CR27	1901-0518	8		DIODE-SM SIG SCHOTTKY	28480	1901-0518
A6A4CR28	1901-0518	8		DIODE-SM SIG SCHOTTKY	28480	1901-0518
A6A4CR29	1901-0050	3		DIODE-SWITCHING 80V 200MA 2NS DO-35	28480	1901-0050
A6A4CR30	1901-0050	3		DIODE-SWITCHING 80V 200MA 2NS DO-35	28480	1901-0050
A6A4CR31	1901-0518	8		DIODE-SM SIG SCHOTTKY	28480	1901-0518
A6A4CR32	1901-0518	8		DIODE-SM SIG SCHOTTKY	28480	1901-0518
A6A4CR38	1901-0050	3		DIODE-SWITCHING 80V 200MA 2NS DO-35	28480	1901-0050
A6A4DS1	1990-0326	3		LED-LAMP LUM-INT=300UCD IF=50MA-MAX	28480	5082-4444
A6A4E1	9170-0029	3		CORE-SHIELDING BEAD	28480	9170-0029
A6A4J1	1250-1220	0		CONNECTOR-RF SMC M PC 50-OHM	28480	1250-1220
	2190-0124	4		WASHER-LK INTL T NO. 10 .195-IN-ID	28480	2190-0124
	2950-0078	9		NUT-HEX-DBL-CHAM 10-32-THD .067-IN-THK	28480	2950-0078
A6A4J2	1250-1220	0		CONNECTOR-RF SMC M PC 50-OHM	28480	1250-1220
	2190-0124	4		WASHER-LK INTL T NO. 10 .195-IN-ID	28480	2190-0124
	2950-0078	9		NUT-HEX-DBL-CHAM 10-32-THD .067-IN-THK	28480	2950-0078
A6A4L1	9100-1788	8	7	CORE-FERRITE CHOKE-WIDEBAND; IMP:1680	28480	9100-1788
A6A4L2	9100-1788	8		CORE-FERRITE CHOKE-WIDEBAND; IMP:1680	28480	9100-1788
A6A4L3	9100-1788	8		CORE-FERRITE CHOKE-WIDEBAND; IMP:1680	28480	9100-1788
A6A4L4	9100-4078	3	11	TOROID FILTER 630 UH	28480	9100-4078
A6A4L5	9100-4078	3		TOROID FILTER 630 UH	28480	9100-4078
A6A4L6	9100-1823	8	10	INDUCTOR RF-CH-MLD 27UH 5% .168DX.385LG	28480	9100-1823
A6A4L9	9100-1823	8		INDUCTOR RF-CH-MLD 27UH 5% .168DX.385LG	28480	9100-1823
A6A4L10	9100-1823	8		INDUCTOR RF-CH-MLD 27UH 5% .168DX.385LG	28480	9100-1823
A6A4L11	9100-1823	8		INDUCTOR RF-CH-MLD 27UH 5% .168DX.385LG	28480	9100-1823
A6A4L12	9100-1823	8		INDUCTOR RF-CH-MLD 27UH 5% .168DX.385LG	28480	9100-1823
A6A4L13	9140-0141	7		INDUCTOR RF-CH-MLD 680NH 10% .105DX.26LG	28480	9140-0141
A6A4L14	9140-0179	1	2	INDUCTOR RF-CH-MLD 22UH 10% .168DX.385LG	28480	9140-0179
A6A4L15	9100-1830	7	8	INDUCTOR RF-CH-MLD 51UH 5% .168DX.385LG	28480	9100-1830
A6A4L16	9100-1830	7		INDUCTOR RF-CH-MLD 51UH 5% .168DX.385LG	28480	9100-1830
A6A4L17	9100-4078	3		TOROID FILTER 630 UH	28480	9100-4078
A6A4L18	9140-0141	7		INDUCTOR RF-CH-MLD 680NH 10% .105DX.26LG	28480	9140-0141
A6A4L19	9100-1825	0	2	INDUCTOR RF-CH-MLD 33UH 5% .168DX.385LG	28480	9100-1825
A6A4L20	9100-1827	2	2	INDUCTOR RF-CH-MLD 38UH 5% .168DX.385LG	28480	9100-1827
A6A4L21	9140-0210	1		INDUCTOR RF-CH-MLD 100UH 5% .168DX.385LG	28480	9140-0210
A6A4L22	9140-0210	1		INDUCTOR RF-CH-MLD 100UH 5% .168DX.385LG	28480	9140-0210
A6A4L23	9100-1811	4	2	INDUCTOR RF-CH-MLD 220NH 20%	28480	9100-1811
2234A to 2823A A6A4L24				NOT ASSIGNED		
2837A and above A6A4L24	9100-2256	5	1	INDUCTOR RF-CH-MLD 580NH 10% .105DX.26LG	28480	9100-2256
2234A to 2704A A6A4MP1	08682-00016	0	2	COVER- 1/3 END	28480	08682-00016
2706A and above A6A4MP1	08682-00229	7	2	COVER- 1/3 END	28480	08682-00229
A6A4MP2	2380-0113	2		SCREW-MACH 6-32 .25-IN-LG PAN-HD-POZI	00000	ORDER BY DESCRIPTION
A6A4MP3	5001-0176	0		GROUND STRAP	28480	5001-0176
A6A4MP3	5001-0176	0		GROUND STRAP	28480	5001-0176
2234A to 2704A A6A4MP4	7120-8043	0	1	LABEL-IDENTIFICATION .15-IN-WD .7-IN-LG	28480	7120-8043
2706A and above A6A4MP4	08682-80068	8	1	LABEL-IDENTIFICATION .15-IN-WD .7-IN-LG	28480	08682-80068

†Refer to Section 7 for update information.

*Factory Selected Component (Refer to Section 5).

Table 6-3. Replaceable Parts

Reference Designation	HP Part Number	C D	Qty.	Description	Mfr. Code	Mfr. Part Number
A6A4Q1	1854-0404	0		TRANSISTOR NPN SI TO-18 PD=360MW	28480	1854-0404
A6A4Q2	1853-0012	4		TRANSISTOR PNP 2N2904A SI TO-39 PD=800MW	01295	2N2904A
A6A4Q3	1854-0408	4	2	TRANSISTOR NPN SI TO-18 PD=300MW	28480	1854-0408
A6A4Q4	1853-0007	7		TRANSISTOR PNP 2N3251 SI TO-18 PD=360MW	04713	2N3251
A6A4Q5	1853-0451	5		TRANSISTOR PNP 2N3799 SI TO-18 PD=360MW	01295	2N3799
	1205-0037	0	8	HEAT SINK TO-18-CS	28480	1205-0037
A6A4Q6	1853-0007	7		TRANSISTOR PNP 2N3251 SI TO-18 PD=360MW	04713	2N3251
2234A to 2552A A6A4Q7	1854-0475	5	4	TRANSISTOR-DUAL NPN PD=750MW	28480	1854-0475
2601A and above A6A4Q7	1854-1046	8		TRANSISTOR-DUAL NPN TO-78 PD=750MW	28480	1854-0475
A6A4Q8	1853-0451	5		TRANSISTOR PNP 2N3799 SI TO-18 PD=360MW	01295	2N3799
	1205-0037	0		HEAT SINK TO-18-CS	28480	1205-0037
A6A4Q9	1854-0404	0		TRANSISTOR NPN SI TO-18 PD=360MW	28480	1854-0404
A6A4Q10	1853-0451	5		TRANSISTOR PNP 2N3799 SI TO-18 PD=360MW	01295	2N3799
	1205-0037	0		HEAT SINK TO-18-CS	28480	1205-0037
A6A4Q11	1853-0007	7		TRANSISTOR PNP 2N3251 SI TO-18 PD=360MW	04713	2N3251
A6A4Q12	1853-0451	5		TRANSISTOR PNP 2N3799 SI TO-18 PD=360MW	01295	2N3799
	1205-0037	0		HEAT SINK TO-18-CS	28480	1205-0037
A6A4Q13	1854-0247	9		TRANSISTOR NPN SI TO-39 PD=1W FT=800MHZ	28480	1854-0247
A6A4Q14	1854-0404	0		TRANSISTOR NPN SI TO-18 PD=360MW	28480	1854-0404
A6A4Q17	1855-0020	8		TRANSISTOR J-FET N-CHAN D-MODE TO-18 SI	28480	1855-0020
A6A4Q18	1855-0020	8		TRANSISTOR J-FET N-CHAN D-MODE TO-18 SI	28480	1855-0020
A6A4Q19	1855-0020	8		TRANSISTOR J-FET N-CHAN D-MODE TO-18 SI	28480	1855-0020
A6A4Q20	1855-0020	8		TRANSISTOR J-FET N-CHAN D-MODE TO-18 SI	28480	1855-0020
A6A4R1	0698-7236	7		RESISTOR 1K 1% .05W F TC=0+-100	24546	C3-1/8-T0-1001-F
2234A to 2823A A6A4R2	0698-7224	3		RESISTOR 316 1% .05W F TC=0+-100	24546	C3-1/8-T0-316R-F
2837A and above A6A4R2				NOT ASSIGNED		
A6A4R3	0698-7236	7		RESISTOR 1K 1% .05W F TC=0+-100	24546	C3-1/8-T0-1001-F
A6A4R4	0698-7236	7		RESISTOR 1K 1% .05W F TC=0+-100	24546	C3-1/8-T0-1001-F
A6A4R5	0698-7212	9		RESISTOR 100 1% .05W F TC=0+-100	24546	C3-1/8-T0-100R-F
A6A4R6	0698-7212	9		RESISTOR 100 1% .05W F TC=0+-100	24546	C3-1/8-T0-100R-F
A6A4R7	0698-7212	9		RESISTOR 100 1% .05W F TC=0+-100	24546	C3-1/8-T0-100R-F
2234A to 2823A A6A4R8	0698-7194	6		RESISTOR 17.8 1% .05W F TC=0+-100	24546	C3-1/8-T0-17R8-F
2837A and above A6A4R8				NOT ASSIGNED		
A6A4R9	0698-7225	4		RESISTOR 348 1% .05W F TC=0+-100	24546	C3-1/8-T0-348R-F
A6A4R10	0698-7188	8		RESISTOR 10 1% .05W F TC=0+-100	24546	C3-1/8-T0-10R-F
A6A4R11	0698-7226	5		RESISTOR 383 1% .05W F TC=0+-100	24546	C3-1/8-T0-383R-F
2234A to 2823A A6A4R12	0698-7224	3		RESISTOR 316 1% .05W F TC=0+-100	24546	C3-1/8-T0-316R-F
2837A and above A6A4R12				NOT ASSIGNED		
A6A4R13	0698-7222	1	12	RESISTOR 261 1% .05W F TC=0+-100	24546	C3-1/8-T0-261R-F
A6A4R14	0698-7222	1		RESISTOR 261 1% .05W F TC=0+-100	24546	C3-1/8-T0-261R-F
A6A4R15	0698-7200	5		RESISTOR 31.6 1% .05W F TC=0+-100	24546	C3-1/8-T0-31R6-F
A6A4R16	0698-7200	5		RESISTOR 31.6 1% .05W F TC=0+-100	24546	C3-1/8-T0-31R6-F
A6A4R17	0698-7222	1		RESISTOR 261 1% .05W F TC=0+-100	24546	C3-1/8-T0-261R-F
A6A4R18	0698-7222	1		RESISTOR 261 1% .05W F TC=0+-100	24546	C3-1/8-T0-261R-F
A6A4R19	0698-7196	8		RESISTOR 21.5 1% .05W F TC=0+-100	24546	C3-1/8-T0-21R5-F
A6A4R20	0698-7216	3		RESISTOR 147 1% .05W F TC=0+-100	24546	C3-1/8-T0-147R-F
A6A4R21	0698-7216	3		RESISTOR 147 1% .05W F TC=0+-100	24546	C3-1/8-T0-147R-F
A6A4R22	0698-7229	8		RESISTOR 511 1% .05W F TC=0+-100	24546	C3-1/8-T0-511R-F
A6A4R23	0757-0280	3		RESISTOR 1K 1% .125W F TC=0+-100	24546	C4-1/8-T0-1001-F
A6A4R24	0698-0084	9		RESISTOR 2.15K 1% .125W F TC=0+-100	24546	C4-1/8-T0-2151-F
A6A4R25	0757-0290	5		RESISTOR 8.19K 1% .125W F TC=0+-100	19701	MF4C1/8-T0-8191-F
A6A4R26	0757-0280	3		RESISTOR 1K 1% .125W F TC=0+-100	24546	C4-1/8-T0-1001-F

†Refer to Section 7 for update information.

*Factory Selected Component (Refer to Section 5).

Table 6-3. Replaceable Parts

Reference Designation	HP Part Number	C D	Qty.	Description	Mfr. Code	Mfr. Part Number
A6A4R27	0698-7229	8		RESISTOR 511 1% .05W F TC=0+-100	24546	C3-1/B-T0-511R-F
A6A4R28	0698-3444	1		RESISTOR 316 1% .125W F TC=0+-100	24546	C4-1/B-T0-316R-F
A6A4R29	0757-0317	7		RESISTOR 1.33K 1% .125W F TC=0+-100	24546	C4-1/B-T0-1331-F
A6A4R30	0757-0280	3		RESISTOR 1K 1% .125W F TC=0+-100	24546	C4-1/B-T0-1001-F
A6A4R31	0698-7236	7		RESISTOR 1K 1% .05W F TC=0+-100	24546	C3-1/B-T0-1001-F
A6A4R32	0698-7264	1	7	RESISTOR 14.7K 1% .05W F TC=0+-100	24546	C3-1/B-T0-1472-F
A6A4R33	0698-7244	7	14	RESISTOR 2.15K 1% .05W F TC=0+-100	24546	C3-1/B-T0-2151-F
A6A4R34	0698-7242	5		RESISTOR 1.78K 1% .05W F TC=0+-100	24546	C3-1/B-T0-1781-F
A6A4R35	0757-0465	6		RESISTOR 100K 1% .125W F TC=0+-100	24546	C4-1/B-T0-1003-F
A6A4R36	0698-7266	3	5	RESISTOR 17.6K 1% .05W F TC=0+-100	24546	C3-1/B-T0-1762-F
A6A4R37	0698-7229	8		RESISTOR 511 1% .05W F TC=0+-100	24546	C3-1/B-T0-511R-F
A6A4R38	0698-7188	8		RESISTOR 10 1% .05W F TC=0+-100	24546	C3-1/B-T0-10R-F
A6A4R39	0698-7219	6		RESISTOR 196 1% .05W F TC=0+-100	24546	C3-1/B-T0-196R-F
A6A4R40	0698-7196	8		RESISTOR 21.5 1% .05W F TC=0+-100	24546	C3-1/B-T0-215R-F
A6A4R41	0698-7275	4	5	RESISTOR 42.2K 1% .05W F TC=0+-100	24546	C3-1/B-T0-4222-F
A6A4R42	0698-7256	1	4	RESISTOR 6.81K 1% .05W F TC=0+-100	24546	C3-1/B-T0-6811-F
A6A4R43	0698-7244	7		RESISTOR 2.15K 1% .05W F TC=0+-100	24546	C3-1/B-T0-2151-F
A6A4R44	0698-7236	7		RESISTOR 1K 1% .05W F TC=0+-100	24546	C3-1/B-T0-1001-F
A6A4R45	0757-0279	0	19	RESISTOR 3.16K 1% .125W F TC=0+-100	24546	C4-1/B-T0-3161-F
A6A4R46	0698-7264	1		RESISTOR 14.7K 1% .05W F TC=0+-100	24546	C3-1/B-T0-1472-F
A6A4R47	0698-7188	8		RESISTOR 10 1% .05W F TC=0+-100	24546	C3-1/B-T0-10R-F
A6A4R48	0698-7188	8		RESISTOR 10 1% .05W F TC=0+-100	24546	C3-1/B-T0-10R-F
A6A4R49	0698-7198	8		RESISTOR 10 1% .05W F TC=0+-100	24546	C3-1/B-T0-10R-F
A6A4R50	0698-7188	8		RESISTOR 10 1% .05W F TC=0+-100	24546	C3-1/B-T0-10R-F
A6A4R51	0698-7268	5	28	RESISTOR 21.5K 1% .05W F TC=0+-100	24546	C3-1/B-T0-2152-F
A6A4R52	0698-7212	9		RESISTOR 100 1% .05W F TC=0+-100	24546	C3-1/B-T0-100R-F
A6A4R53	0698-7212	9		RESISTOR 100 1% .05W F TC=0+-100	24546	C3-1/B-T0-100R-F
A6A4R54	0698-7212	9		RESISTOR 100 1% .05W F TC=0+-100	24546	C3-1/B-T0-100R-F
A6A4R55	0698-7212	9		RESISTOR 100 1% .05W F TC=0+-100	24546	C3-1/B-T0-100R-F
A6A4R56	0698-7240	3		RESISTOR 1.47K 1% .05W F TC=0+-100	24546	C3-1/B-T0-1471-F
A6A4R57	0757-0424	7		RESISTOR 1.1K 1% .125W F TC=0+-100	24546	C4-1/B-T0-1101-F
A6A4R58	0698-7249	2		RESISTOR 3.48K 1% .05W F TC=0+-100	24546	C3-1/B-T0-3481-F
A6A4R59	0757-0419	0	4	RESISTOR 681 1% .125W F TC=0+-100	24546	C4-1/B-T0-681R-F
A6A4R60	0698-7268	5		RESISTOR 21.5K 1% .05W F TC=0+-100	24546	C3-1/B-T0-2152-F
A6A4R61	0698-7268	5		RESISTOR 21.5K 1% .05W F TC=0+-100	24546	C3-1/B-T0-2152-F
A6A4R62	0698-7268	5		RESISTOR 21.5K 1% .05W F TC=0+-100	24546	C3-1/B-T0-2152-F
A6A4R63	0698-7268	5		RESISTOR 21.5K 1% .05W F TC=0+-100	24546	C3-1/B-T0-2152-F
A6A4R64	0757-0199	3		RESISTOR 21.5K 1% .125W F TC=0+-100	24546	C4-1/B-T0-2152-F
A6A4R65	0698-7268	5		RESISTOR 21.5K 1% .05W F TC=0+-100	24546	C3-1/B-T0-2152-F
A6A4R66	0698-7268	5		RESISTOR 21.5K 1% .05W F TC=0+-100	24546	C3-1/B-T0-2152-F
A6A4R67	0698-7268	5		RESISTOR 21.5K 1% .05W F TC=0+-100	24546	C3-1/B-T0-2152-F
A6A4R68	0698-7268	5		RESISTOR 21.5K 1% .05W F TC=0+-100	24546	C3-1/B-T0-2152-F
A6A4R69	0698-3154	0		RESISTOR 4.22K 1% .125W F TC=0+-100	24546	C4-1/B-T0-4221-F
A6A4R70	0757-0421	4		RESISTOR 825 1% .125W F TC=0+-100	24546	C4-1/B-T0-825R-F
A6A4R71	0757-0421	4		RESISTOR 825 1% .125W F TC=0+-100	24546	C4-1/B-T0-825R-F
A6A4R72	0698-3476	9	2	RESISTOR 6K 1% .125W F TC=0+-100	03888	PME55-1/B-T0-8001-F
A6A4R73	0757-1093	8	2	RESISTOR 3K 1% .125W F TC=0+-100	24546	C4-1/B-T0-3001-F
A6A4R74	0757-1094	9		RESISTOR 1.47K 1% .125W F TC=0+-100	24546	C4-1/B-T0-1471-F
A6A4R75	0698-3548	6	2	RESISTOR 732 1% .125W F TC=0+-100	24546	C4-1/B-T0-732R-F
A6A4R76	0757-0444	1		RESISTOR 12.1K 1% .125W F TC=0+-100	24546	C4-1/B-T0-1212-F

† Refer to Section 7 for update information.

* Factory Selected Component (Refer to Section 5.)

Table 6-3. Replaceable Parts

Reference Designation	HP Part Number	C D	Qty.	Description	Mfr. Code	Mfr. Part Number
A6A4R77	0698-3440	7		RESISTOR 186 1% .125W F TC=0+-100	24546	C4-1/8-T0-198R-F
A6A4R78	0757-0290	5		RESISTOR 6.19K 1% .125W F TC=0+-100	19701	MF4C1/8-T0-6191-F
A6A4R79	0757-0286	1		RESISTOR 9.09K 1% .125W F TC=0+-100	19701	MF4C1/8-T0-9091-F
A6A4R80	0698-3436	3	3	RESISTOR 147 1% .125W F TC=0+-100	24546	C4-1/8-T0-147R-F
A6A4R81	0757-0290	5		RESISTOR 6.19K 1% .125W F TC=0+-100	19701	MF4C1/8-T0-6191-F
A6A4R82	0757-0440	7		RESISTOR 7.5K 1% .125W F TC=0+-100	24546	C4-1/8-T0-7501-F
A6A4R83	0757-0403	2	3	RESISTOR 121 1% .125W F TC=0+-100	24546	C4-1/8-T0-121R-F
A6A4R84	0698-3154	0		RESISTOR 4.22K 1% .125W F TC=0+-100	24546	C4-1/8-T0-4221-F
A6A4R85	2100-2497	0		RESISTOR TRMR 2K 10% C TOP-ADJ 1-TRN	73138	82PR2K
A6A4R86	0757-0401	9		RESISTOR 100 1% .125W F TC=0+-100	24546	C4-1/8-T0-101-F
A6A4R87	0698-3151	7		RESISTOR 2.87K 1% .125W F TC=0+-100	24546	C4-1/8-T0-2871-F
A6A4R88	0757-0396	4	4	RESISTOR 75 1% .125W F TC=0+-100	24546	C4-1/8-T0-75R0-F
A6A4R89	0757-0278	9		RESISTOR 1.78K 1% .125W F TC=0+-100	24546	C4-1/8-T0-1781-F
A6A4R90	0698-7212	9		RESISTOR 100 1% .05W F TC=0+-100	24546	C3-1/8-T0-100R-F
A6A4R91	0757-0422	5	8	RESISTOR 909 1% .125W F TC=0+-100	24546	C4-1/8-T0-909R-F
A6A4R92	0757-0422	5		RESISTOR 909 1% .125W F TC=0+-100	24546	C4-1/8-T0-909R-F
A6A4R93	0757-0279	0		RESISTOR 3.18K 1% .125W F TC=0+-100	24546	C4-1/8-T0-3181-F
A6A4R94	0698-7221	0	5	RESISTOR 237 1% .05W F TC=0+-100	24546	C3-1/8-T0-237R-F
A6A4R95	0698-7238	9		RESISTOR 1.21K 1% .05W F TC=0+-100	24546	C3-1/8-T0-1211-F
A6A4R96	0698-7234	5	5	RESISTOR 825 1% .05W F TC=0+-100	24546	C3-1/8-T0-825R-F
A6A4R97	0698-7205	0		RESISTOR 51.1 1% .05W F TC=0+-100	24546	C3-1/8-T0-511R1-F
A6A4R98	0698-7205	0		RESISTOR 51.1 1% .05W F TC=0+-100	24546	C3-1/8-T0-511R1-F
A6A4R99	0757-0438	3		RESISTOR 5.11K 1% .125W F TC=0+-100	24546	C4-1/8-T0-5111-F
A6A4R100	0698-7189	8		RESISTOR 10 1% .05W F TC=0+-100	24546	C3-1/8-T0-10R-F
A6A4R101	0698-7260	7		RESISTOR 10K 1% .05W F TC=0+-100	24546	C3-1/8-T0-1002-F
A6A4R102	0698-7236	7		RESISTOR 1K 1% .05W F TC=0+-100	24546	C3-1/8-T0-1001-F
A6A4R103	0698-7277	6		RESISTOR 61.1K 1% .05W F TC=0+-100	24546	C3-1/8-T0-5112-F
A6A4R104	0698-7277	6		RESISTOR 51.1K 1% .05W F TC=0+-100	24546	C3-1/8-T0-5112-F
A6A4R105	0698-7277	6		RESISTOR 51.1K 1% .05W F TC=0+-100	24546	C3-1/8-T0-5112-F
A6A4R106	0698-7277	6		RESISTOR 51.1K 1% .05W F TC=0+-100	24546	C3-1/8-T0-5112-F
A6A4R107	0698-7261	8	5	RESISTOR 11K 1% .05W F TC=0+-100	24546	C3-1/8-T0-1102-F
A6A4R108	0698-7236	7		RESISTOR 1K 1% .05W F TC=0+-100	24546	C3-1/8-T0-1001-F
A6A4R109	0698-7236	7		RESISTOR 1K 1% .05W F TC=0+-100	24546	C3-1/8-T0-1001-F
A6A4R110	0698-7236	7		RESISTOR 1K 1% .05W F TC=0+-100	24546	C3-1/8-T0-1001-F
A6A4R111	0698-7236	7		RESISTOR 1K 1% .05W F TC=0+-100	24546	C3-1/8-T0-1001-F
A6A4R112	0698-7261	8		RESISTOR 11K 1% .05W F TC=0+-100	24546	C3-1/8-T0-1102-F
A6A4R113	0698-7224	3		RESISTOR 316 1% .05W F TC=0+-100	24546	C3-1/8-T0-316R-F
A6A4R114	0698-7224	3		RESISTOR 316 1% .05W F TC=0+-100	24546	C3-1/8-T0-316R-F
A6A4R115	0698-7212	9		RESISTOR 100 1% .05W F TC=0+-100	24546	C3-1/8-T0-100R-F
A6A4R116	0698-7222	1		RESISTOR 261 1% .05W F TC=0+-100	24546	C3-1/8-T0-261R-F
A6A4R117	0698-7212	9		RESISTOR 100 1% .05W F TC=0+-100	24546	C3-1/8-T0-100R-F
A6A4R118	0698-7222	1		RESISTOR 261 1% .05W F TC=0+-100	24546	C3-1/8-T0-261R-F
A6A4R119	0698-7253	8		RESISTOR 5.11K 1% .05W F TC=0+-100	24546	C3-1/8-T0-5111-F
A6A4R120	0698-7236	7		RESISTOR 1K 1% .05W F TC=0+-100	24546	C3-1/8-T0-1001-F
A6A4R121	0698-7277	6		RESISTOR 51.1K 1% .05W F TC=0+-100	24546	C3-1/8-T0-5112-F
A6A4R122	0698-7229	8		RESISTOR 511 1% .05W F TC=0+-100	24546	C3-1/8-T0-511R-F
A6A4R123	0698-7225	4		RESISTOR 348 1% .05W F TC=0+-100	24546	C3-1/8-T0-348R-F
A6A4R124	0698-7229	8		RESISTOR 511 1% .05W F TC=0+-100	24546	C3-1/8-T0-511R-F
A6A4R125	0698-7241	4	4	RESISTOR 1.62K 1% .05W F TC=0+-100	24546	C3-1/8-T0-1621-F
A6A4R126	0698-7225	4		RESISTOR 348 1% .05W F TC=0+-100	24546	C3-1/8-T0-348R-F

† Refer to Section 7 for update information.

* Factory Selected Component (Refer to Section 5.)

Table 6-3. Replaceable Parts

Reference Designation	HP Part Number	C D	Qty.	Description	Mfr. Code	Mfr. Part Number
A6A4R127	0698-7229	8		RESISTOR 511 1% .05W F TC=0+-100	24546	C3-1/8-TO-511R-F
A6A4R128	0698-7241	4		RESISTOR 1.62K 1% .05W F TC=0+-100	24546	C3-1/8-TO-1621-F
A6A4R129	0698-7262	9	7	RESISTOR 12.1K 1% .05W F TC=0+-100	24546	C3-1/8-TO-1212-F
A6A4R130	0698-7229	8		RESISTOR 511 1% .05W F TC=0+-100	24546	C3-1/8-TO-511R-F
A6A4R132	0698-7275	4		RESISTOR 42.2K 1% .05W F TC=0+-100	24546	C3-1/8-TO-4222-F
A6A4R133	0698-7236	7		RESISTOR 1K 1% .05W F TC=0+-100	24546	C3-1/8-TO-1001-F
A6A4R134	0698-7236	7		RESISTOR 1K 1% .05W F TC=0+-100	24546	C3-1/8-TO-1001-F
A6A4R135	0698-7229	8		RESISTOR 511 1% .05W F TC=0+-100	24546	C3-1/8-TO-511R-F
A6A4R136	0698-7229	8		RESISTOR 511 1% .05W F TC=0+-100	24546	C3-1/8-TO-511R-F
A6A4R138	0698-7229	8		RESISTOR 511 1% .05W F TC=0+-100	24546	C3-1/8-TO-511R-F
A6A4R139	0698-7229	8		RESISTOR 511 1% .05W F TC=0+-100	24546	C3-1/8-TO-511R-F
A6A4R140	0698-7260	7		RESISTOR 10K 1% .05W F TC=0+-100	24546	C3-1/8-TO-1002-F
A6A4R141	0698-7272	1	5	RESISTOR 31.6K 1% .05W F TC=0+-100	24546	C3-1/8-TO-3162-F
A6A4R142	0698-7244	7		RESISTOR 2.15K 1% .05W F TC=0+-100	24546	C3-1/8-TO-2151-F
A6A4R143	0698-7244	7		RESISTOR 2.15K 1% .05W F TC=0+-100	24546	C3-1/8-TO-2151-F
A6A4R144	0698-7236	7		RESISTOR 1K 1% .05W F TC=0+-100	24546	C3-1/8-TO-1001-F
A6A4R145	0698-7253	8		RESISTOR 5.11K 1% .05W F TC=0+-100	24546	C3-1/8-TO-5111-F
A6A4R146	0698-7236	7		RESISTOR 1K 1% .05W F TC=0+-100	24546	C3-1/8-TO-1001-F
A6A4R147	0698-7219	6		RESISTOR 196 1% .05W F TC=0+-100	24546	C3-1/8-TO-196R-F
2234A TO 2513A						
A6A4R148	0698-7229	8		RESISTOR 511 1% .05W F TC=0+-100	24546	C3-1/8-TO-511R-F
2516A AND ABOVE						
A6A4R149	0698-7239	0		RESISTOR 1.33K 1% .05W F TC=0+-100	24546	C3-1/8-TO-1331-F
A6A4R149	0698-7229	8		RESISTOR 511 1% .05W F TC=0+-100	24546	C3-1/8-TO-511R-F
A6A4R150	0698-7240	3		RESISTOR 1.47K 1% .05W F TC=0+-100	24546	C3-1/8-TO-1471-F
A6A4R151	0698-7240	3		RESISTOR 1.47K 1% .05W F TC=0+-100	24546	C3-1/8-TO-1471-F
A6A4R152	0698-7205	0		RESISTOR 51.1 1% .05W F TC=0+-100	24546	C3-1/8-TO-511R1-F
A6A4R153	0698-7205	0		RESISTOR 51.1 1% .05W F TC=0+-100	24546	C3-1/8-TO-511R1-F
A6A4R154	0698-7205	0		RESISTOR 51.1 1% .05W F TC=0+-100	24546	C3-1/8-TO-511R1-F
A6A4R155	0698-7205	0		RESISTOR 51.1 1% .05W F TC=0+-100	24546	C3-1/8-TO-511R1-F
A6A4R156	2100-2497	9		RESISTOR-TRMR 2K 10% C TOP-ADJ 1-TRN	73138	82PR2K
A6A4S1	3101-0860	9		SWITCH-SL DPDT MINTR .5A 125VAC/DC PC	28480	3101-0860
A6A4T1	08640-60355	0		TRANSFORMER, RF, BLUE	28480	08640-60355
A6A4T2	08640-60355	0		TRANSFORMER, RF, BLUE	28480	08640-60355
A6A4TP1	1251-0800	0		CONNECTOR-SGL CONT PIN 1.14-MM-BSC-SZ SQ	28480	1251-0800
A6A4TP2	1251-0800	0		CONNECTOR-SGL CONT PIN 1.14-MM-BSC-SZ SQ	28480	1251-0800
A6A4TP3	1251-0800	0		CONNECTOR-SGL CONT PIN 1.14-MM-BSC-SZ SQ	28480	1251-0800
A6A4TP4	1251-0800	0		CONNECTOR-SGL CONT PIN 1.14-MM-BSC-SZ SQ	28480	1251-0800
A6A4TP5	1251-0800	0		CONNECTOR-SGL CONT PIN 1.14-MM-BSC-SZ SQ	28480	1251-0800
A6A4TP6	1251-0800	0		CONNECTOR-SGL CONT PIN 1.14-MM-BSC-SZ SQ	28480	1251-0800
A6A4TP7	1251-0800	0		CONNECTOR-SGL CONT PIN 1.14-MM-BSC-SZ SQ	28480	1251-0800
A6A4TP8	1251-0800	0		CONNECTOR-SGL CONT PIN 1.14-MM-BSC-SZ SQ	28480	1251-0800
A6A4TP9	1251-0800	0		CONNECTOR-SGL CONT PIN 1.14-MM-BSC-SZ SQ	28480	1251-0800
A6A4TP10	1251-0800	0		CONNECTOR-SGL CONT PIN 1.14-MM-BSC-SZ SQ	28480	1251-0800
A6A4TP11	1251-0800	0		CONNECTOR-SGL CONT PIN 1.14-MM-BSC-SZ SQ	28480	1251-0800
A6A4TP12	1251-0800	0		CONNECTOR-SGL CONT PIN 1.14-MM-BSC-SZ SQ	28480	1251-0800
A6A4TP13	1251-0800	0		CONNECTOR-SGL CONT PIN 1.14-MM-BSC-SZ SQ	28480	1251-0800
A6A4TP14	1251-0800	0		CONNECTOR-SGL CONT PIN 1.14-MM-BSC-SZ SQ	28480	1251-0800
A6A4U1	1826-0372	2		IC, LIMITER	28480	1826-0372
A6A4U2	1820-1344	8	2	IC PL LOOP 14-DIP-C PKG	04713	MC12040L
A6A4U3	1826-0026	3	2	IC COMPARATOR PRON TO-99 PKG	01295	LM311L
A6A4U4	1826-0013	8		IC OP AMP LOW-NOISE TO-99 PKG	06665	SSS741CJ
A6A4U5	1820-0868	7	3	IC BFR TTL NON-INV HEX 1-INP	01295	SN7407N

†Refer to Section 7 for update information.

*Factory Selected Component (Refer to Section 5).

Table 6-3. Replaceable Parts

Reference Designation	HP Part Number	C D	Qty.	Description	Mfr. Code	Mfr. Part Number
A6A4U6	1820-1211	8	3	IC GATE TTL LS EXCL-OR QUAD 2-INP	01295	SN74LS86N
2234A TO 2704A A6A4U7 †	1820-1781	7	4	IC SWITCH ANLG DUAL TO-100 PKG	34371	HI2-200-5
NOTE When replacing A6A4U7, refer to Section 7 for important update information						
2706A AND ABOVE A6A4U7	1820-1633	8	4	IC SWITCH ANLG DUAL TO-100 PKG	34371	HI2-200-5
2234A TO 2704A A6A4U8	1820-1781	7		IC SWITCH ANLG DUAL TO-100 PKG	34371	HI2-200-5
2706A AND ABOVE A6A4U8	1826-1633	8	4	IC BFR TTL S INV OCTL 1-INP	01295	SN74S240N
A6A4U9	1820-1322	2		IC GATE TTL S NOR QUAD 2-INP	01295	SN74S02N
A6A4U10	1826-0372	2		IC, LIMITER	28480	1826-0372
A6A4U11	1820-1112	8		IC FF TTL LS D-TYPE POS-EDGE-TRIG	01295	SN74LS74AN
A6A4U12	1820-0579	9	2	IC MV TTL MONOSTBL RETRIG DUAL	01295	SN74123N
A6A4U13	1826-0138	8		IC COMPARATOR GP QUAD 14-DIP-P PKG	01295	LM339N
A6A4U14	1820-0475	4	2	IC COMPARATOR HS TO-99 PKG	27014	LM306H
A6A4VR1	1902-0556	6	2	DIODE-ZNR 20V 5% PD=1W IR=5UA	28480	1902-0556
2234A TO 2613A A6A4VR2	1902-0554	4	2	DIODE-ZNR 10V 5% PD=1W IR=10UA	28480	1902-0554
2516A AND ABOVE A6A4VR2	1902-0855	9	2	DIODE-ZNR 7.5V 5% PD=.4W	28480	1902-0855
2234A TO 2704A A6A4W1	08662-20055	9	2	CABLE-SEMI RIGID #51	28480	08662-20055
2706A AND ABOVE A6A4W1	08662-20292	6		CABLE-SEMI RIGID #51	28480	08662-20292

†Refer to Section 7 for update information.

*Factory Selected Component (Refer to Section 5).

Table 6-3. Replaceable Parts

Reference Designation	HP Part Number	C D	Qty.	Description	Mfr. Code	Mfr. Part Number
A6A5						
2234A TO 2704A						
A6A5	06862-80103	2	1	PHASE DETECTOR, REF. SUM (RS) LOOP ASSY	28480	06862-80103
2706A AND ABOVE						
A6A5	06862-80357	8	1	PHASE DETECTOR, REF. SUM (RS) LOOP ASSY	28480	06862-80357
A6A5C1	0160-3879	7		CAPACITOR-FXD .01UF +-20% 100VDC CER	28480	0160-3879
A6A5C2	0160-3879	7		CAPACITOR-FXD .01UF +-20% 100VDC CER	28480	0160-3879
A6A5C3	0180-2618	2		CAPACITOR-FXD 33UF+-10% 10VDC TA	25088	D33GS1B10K
A6A5C4	0160-3879	7		CAPACITOR-FXD .01UF +-20% 100VDC CER	28480	0160-3879
A6A5C5	0180-2618	2		CAPACITOR-FXD 33UF+-10% 10VDC TA	25088	D33GS1B10K
A6A5C6	0180-2617	1		CAPACITOR-FXD 6.8UF+-10% 35VDC TA	25088	D6R8GS1B35K
A6A5C7	0180-0141	2		CAPACITOR-FXD 50UF+75-10% 50VDC AL	56289	30D506Q050DD2
A6A5C8	0180-2208	6		CAPACITOR-FXD 220UF+-10% 10VDC TA	56289	150D227X9010S2
A6A5C9	0180-2619	3		CAPACITOR-FXD 22UF+-10% 15VDC TA	25088	D22GS1B15K
A6A5C10	0180-2620	6		CAPACITOR-FXD 2.2UF+-10% 50VDC TA	25088	D2R2GS1B50K
A6A5C11	0180-3879	7		CAPACITOR-FXD .01UF +-20% 100VDC CER	28480	0160-3879
A6A5C12	0160-3878	6		CAPACITOR-FXD 1000PF +-20% 100VDC CER	28480	0160-3878
A6A5C13	0180-2620	6		CAPACITOR-FXD 2.2UF+-10% 50VDC TA	25088	D2R2GS1B50K
A6A5C14	0180-0575	4		CAPACITOR-FXD .047UF +-20% 50VDC CER	28480	0160-0575
A6A5C15	0180-2620	6		CAPACITOR-FXD 2.2UF+-10% 50VDC TA	25088	D2R2GS1B50K
A6A5C16	0180-3879	7		CAPACITOR-FXD .01UF +-20% 100VDC CER	28480	0160-3879
A6A5C17	0180-3879	7		CAPACITOR-FXD .01UF +-20% 100VDC CER	28480	0160-3879
A6A5C18	0160-3879	7		CAPACITOR-FXD .01UF +-20% 100VDC CER	28480	0160-3879
A6A5C19	0160-3878	6		CAPACITOR-FXD 1000PF +-20% 100VDC CER	28480	0160-3878
A6A5C20	0160-3879	7		CAPACITOR-FXD .01UF +-20% 100VDC CER	28480	0160-3879
A6A5C21	0160-3879	7		CAPACITOR-FXD .01UF +-20% 100VDC CER	28480	0160-3879
A6A5C22	0160-3879	7		CAPACITOR-FXD .01UF +-20% 100VDC CER	28480	0160-3879
A6A5C23	0160-3879	7		CAPACITOR-FXD .01UF +-20% 100VDC CER	28480	0160-3879
A6A5C24	0180-2620	6		CAPACITOR-FXD 2.2UF+-10% 50VDC TA	25088	D2R2GS1B50K
A6A5C25	0160-3878	6		CAPACITOR-FXD 1000PF +-20% 100VDC CER	28480	0160-3878
A6A5C26	0180-2618	2		CAPACITOR-FXD 33UF+-10% 10VDC TA	25088	D33GS1B10K
A6A5C27	0160-3879	7		CAPACITOR-FXD .01UF +-20% 100VDC CER	28480	0160-3879
A6A5C28	0180-2619	3		CAPACITOR-FXD 22UF+-10% 15VDC TA	25088	D22GS1B15K
A6A5C29	0180-2619	3		CAPACITOR-FXD 22UF+-10% 15VDC TA	25088	D22GS1B15K
A6A5C30	0160-3879	7		CAPACITOR-FXD .01UF +-20% 100VDC CER	28480	0160-3879
A6A5C31	0160-3879	7		CAPACITOR-FXD .01UF +-20% 100VDC CER	28480	0160-3879
A6A5C32	0160-3879	7		CAPACITOR-FXD .01UF +-20% 100VDC CER	28480	0160-3879
A6A5C33	0160-3877	5		CAPACITOR-FXD 100PF +-20% 200VDC CER	28480	0160-3877
A6A5C34	0160-3877	5		CAPACITOR-FXD 100PF +-20% 200VDC CER	28480	0160-3877
A6A5C35	0160-0575	4		CAPACITOR-FXD .047UF +-20% 50VDC CER	28480	0160-0575
A6A5C36	0180-4498	8		CAPACITOR-FXD 5.6PF +-5PF 200VDC CER	28480	0160-4498
A6A5C37	0160-0572	1		CAPACITOR-FXD 2200PF +-20% 100VDC CER	28480	0160-0572
A6A5C38	0160-0573	2		CAPACITOR-FXD 4700PF +-20% 100VDC CER	28480	0160-0573
A6A5C39	0160-3879	7		CAPACITOR-FXD .01UF +-20% 100VDC CER	28480	0160-3879
A6A5C40	0160-0574	3		CAPACITOR-FXD .022UF +-20% 100VDC CER	28480	0160-0574
A6A5C41	0160-0575	4		CAPACITOR-FXD .047UF +-20% 50VDC CER	28480	0160-0575
A6A5C42	0160-3878	6		CAPACITOR-FXD 1000PF +-20% 100VDC CER	28480	0160-3878
A6A5C43	0160-3878	6		CAPACITOR-FXD 1000PF +-20% 100VDC CER	28480	0160-3878
A6A5C44	0160-3878	6		CAPACITOR-FXD 1000PF +-20% 100VDC CER	28480	0160-3878
A6A5C45	0160-3878	6		CAPACITOR-FXD 1000PF +-20% 100VDC CER	28480	0160-3878

†Refer to Section 7 for update information.

*Factory Selected Component (Refer to Section 5).

Table 6-3. Replaceable Parts

Reference Designation	HP Part Number	C D	Qty.	Description	Mfr. Code	Mfr. Part Number
A6A5C46	0160-2209	5		CAPACITOR-FXD 360PF +-5% 300VDC MICA	28480	0160-2209
A6A5C47	0160-4084	8		CAPACITOR-FXD .1UF +-20% 50VDC CER	28480	0160-4084
A6A5C48	0180-2619	3		CAPACITOR-FXD 22UF+-10% 15VDC TA	25088	D22GS1B15K
A6A5C49	0160-0573	2		CAPACITOR-FXD 4700PF +-20% 100VDC CER	28480	0160-0573
A6A5C50	0160-0570	9		CAPACITOR-FXD 220PF +-20% 100VDC CER	20932	5024EM100RD221M
A6A5C51	0160-3879	7		CAPACITOR-FXD .01UF +-20% 100VDC CER	28480	0160-3879
A6A5C52	0160-0575	4		CAPACITOR-FXD .047UF +-20% 50VDC CER	28480	0160-0575
A6A5C53	0160-3875	3		CAPACITOR-FXD 22PF +-5% 200VDC CER 0+-30	28480	0160-3875
A6A5C54	0180-2619	3		CAPACITOR-FXD 22UF+-10% 15VDC TA	25088	D22GS1B15K
A6A5C55	0160-3879	7		CAPACITOR-FXD .01UF +-20% 100VDC CER	28480	0160-3879
A6A5C56	0160-3876	4		CAPACITOR-FXD 47PF +-20% 200VDC CER	28480	0160-3876
A6A5C57	0160-3879	7		CAPACITOR-FXD .01UF +-20% 100VDC CER	28480	0160-3879
A6A5C58	0160-3879	7		CAPACITOR-FXD .01UF +-20% 100VDC CER	28480	0160-3879
A6A5C59	0160-3877	5		CAPACITOR-FXD 100PF +-20% 200VDC CER	28480	0160-3877
A6A5C60	0160-0573	2		CAPACITOR-FXD 4700PF +-20% 100VDC CER	28480	0160-0573
A6A5C81	0160-0573	2		CAPACITOR-FXD 4700PF +-20% 100VDC CER	28480	0160-0573
A6A5C82	0160-3877	5		CAPACITOR-FXD 100PF +-20% 200VDC CER	28480	0160-3877
A6A5C83	0160-0573	2		CAPACITOR-FXD 4700PF +-20% 100VDC CER	28480	0160-0573
A6A5C84	0160-0573	2		CAPACITOR-FXD 4700PF +-20% 100VDC CER	28480	0160-0573
A6A5C85	0160-0298	8		CAPACITOR-FXD 1500PF +-10% 200VDC POLYE	28480	0160-0298
A6A5C86	0160-3879	7		CAPACITOR-FXD .01UF +-20% 100VDC CER	28480	0160-3879
A6A5C87	0160-3879	7		CAPACITOR-FXD .01UF +-20% 100VDC CER	28480	0160-3879
A6A5C88	0160-2209	5		CAPACITOR-FXD 360PF +-5% 300VDC MICA	28480	0160-2209
A6A5C89	0160-0571	0		CAPACITOR-FXD 470PF +-20% 100VDC CER	28480	0160-0571
A6A5C70	0160-3879	7		CAPACITOR-FXD .01UF +-20% 100VDC CER	28480	0160-3879
A6A5C71	0140-0198	5		CAPACITOR-FXD 200PF +-5% 300VDC MICA	72136	DM15F201J0300WV1CR
A6A5C72	0160-4389	6		CAPACITOR-FXD 100PF +-5PF 200VDC CER	28480	0160-4389
A6A5C73	0160-4103	2		CAPACITOR-FXD 220PF +-5% 100VDC CER	72982	8121-M100-CQG-221J
A6A5C74	0160-0570	9		CAPACITOR-FXD 220PF +-20% 100VDC CER	20932	5024EM100RD221M
2234A to 2823A A6A5C75				NOT ASSIGNED		
2837A and above A6A5C75	0160-4801	7		CAPACITOR-FXD 100PF +-5% 100VDC CER	28480	0160-4801
A6A5CR1	1901-0050	3		DIODE-SWITCHING 80V 200MA 2NS DO-35	28480	1901-0050
A6A5CR2	1901-0050	3		DIODE-SWITCHING 80V 200MA 2NS DO-35	28480	1901-0050
A6A5CR3	1901-0050	3		DIODE-SWITCHING 80V 200MA 2NS DO-35	28480	1901-0050
A6A5CR4	1901-0050	3		DIODE-SWITCHING 80V 200MA 2NS DO-35	28480	1901-0050
A6A5CR5	1901-0050	3		DIODE-SWITCHING 80V 200MA 2NS DO-35	28480	1901-0050
A6A5CR6	1901-0050	3		DIODE-SWITCHING 80V 200MA 2NS DO-35	28480	1901-0050
A6A5CR9	1901-0050	3		DIODE-SWITCHING 80V 200MA 2NS DO-35	28480	1901-0050
A6A5CR10	1901-0050	3		DIODE-SWITCHING 80V 200MA 2NS DO-35	28480	1901-0050
A6A5CR11	1901-0050	3		DIODE-SWITCHING 80V 200MA 2NS DO-35	28480	1901-0050
A6A5CR12	1901-0050	3		DIODE-SWITCHING 80V 200MA 2NS DO-35	28480	1901-0050
A6A5CR13	1901-0050	3		DIODE-SWITCHING 80V 200MA 2NS DO-35	28480	1901-0050
A6A5CR14	1901-0050	3		DIODE-SWITCHING 80V 200MA 2NS DO-35	28480	1901-0050
A6A5CR15	1901-0050	3		DIODE-SWITCHING 80V 200MA 2NS DO-35	28480	1901-0050
A6A5CR16	1901-0050	3		DIODE-SWITCHING 80V 200MA 2NS DO-35	28480	1901-0050
A6A5CR17	1901-0050	3		DIODE-SWITCHING 80V 200MA 2NS DO-35	28480	1901-0050
A6A5CR18	1901-0050	3		DIODE-SWITCHING 80V 200MA 2NS DO-35	28480	1901-0050
A6A5CR19	1901-0050	3		DIODE-SWITCHING 80V 200MA 2NS DO-35	28480	1901-0050
A6A5CR20	1901-0050	3		DIODE-SWITCHING 80V 200MA 2NS DO-35	28480	1901-0050
A6A5CR21	1901-0050	3		DIODE-SWITCHING 80V 200MA 2NS DO-35	28480	1901-0050
A6A5CR22	1901-0518	8		DIODE-SM SIG SCHOTTKY	28480	1901-0518

†Refer to Section 7 for update information.

*Factory Selected Component (Refer to Section 5).

Table 6-3. Replaceable Parts

Reference Designation	HP Part Number	C D	Qty.	Description	Mfr. Code	Mfr. Part Number
A6A5CR23	1901-0050	3		DIODE-SWITCHING 80V 200MA 2NS DO-35	28480	1901-0050
A6A5CR24	1901-0518	8		DIODE-SM SIG SCHOTTKY	28480	1901-0518
A6A5CR25	1901-0518	8		DIODE-SM SIG SCHOTTKY	28480	1901-0518
A6A5CR26	1901-0518	8		DIODE-SM SIG SCHOTTKY	28480	1901-0518
A6A5CR27	1901-0518	8		DIODE-SM SIG SCHOTTKY	28480	1901-0518
A6A5CR28	1901-0518	8		DIODE-SM SIG SCHOTTKY	28480	1901-0518
A6A5CR29	1901-0050	3		DIODE-SWITCHING 80V 200MA 2NS DO-35	28480	1901-0050
A6A5CR30	1901-0050	3		DIODE-SWITCHING 80V 200MA 2NS DO-35	28480	1901-0050
A6A5CR31	1901-0518	8		DIODE-SM SIG SCHOTTKY	28480	1901-0518
A6A5CR32	1901-0518	8		DIODE-SM SIG SCHOTTKY	28480	1901-0518
A6A5CR38	1901-0050	3		DIODE-SWITCHING 80V 200MA 2NS DO-35	28480	1901-0050
A6A5DS1	1990-0326	3		LED-LAMP LUM-INT=300UCD IF=50MA-MAX	28480	5082-4444
A6A5E1	9170-0029	3		CORE-SHIELDING BEAD	28480	9170-0029
A6A5J1	1250-1220	0		CONNECTOR-RF SMC M PC 50-OHM	28480	1250-1220
	2190-0124	4		WASHER-LK INTL T NO. 10 .195-IN-ID	28480	2190-0124
	2950-0078	9		NUT-HEX-DBL-CHAM 10-32-THD .087-IN-THK	28480	2950-0078
A6A5J2	1250-1220	0		CONNECTOR-RF SMC M PC 50-OHM	28480	1250-1220
	2190-0124	4		WASHER-LK INTL T NO. 10 .195-IN-ID	28480	2190-0124
	2950-0078	9		NUT-HEX-DBL-CHAM 10-32-THD .087-IN-THK	28480	2950-0078
A6A5L1	9100-1788	6		CORE-FERRITE CHOKE-WIDEBAND; IMP:1680	28480	9100-1788
A6A5L2	9100-1788	6		CORE-FERRITE CHOKE-WIDEBAND; IMP:1680	28480	9100-1788
A6A5L3	9100-1788	6		CORE-FERRITE CHOKE-WIDEBAND; IMP:1680	28480	9100-1788
A6A5L4	9100-4078	3		TOROID FILTER 630 UH	28480	9100-4078
A6A5L5	9100-4078	3		TOROID FILTER 630 UH	28480	9100-4078
A6A5L8	9100-1623	8		INDUCTOR RF-CH-MLD 27UH 5% .166DX.385LG	28480	9100-1623
A6A5L9	9100-1623	8		INDUCTOR RF-CH-MLD 27UH 5% .166DX.385LG	28480	9100-1623
A6A5L10	9100-1623	8		INDUCTOR RF-CH-MLD 27UH 5% .166DX.385LG	28480	9100-1623
A6A5L11	9100-1623	8		INDUCTOR RF-CH-MLD 27UH 5% .166DX.385LG	28480	9100-1623
A6A5L12	9100-1623	8		INDUCTOR RF-CH-MLD 27UH 5% .166DX.385LG	28480	9100-1623
A6A5L13	9140-0141	7		INDUCTOR RF-CH-MLD 680NH 10% .105DX.26LG	28480	9140-0141
A6A5L14	9140-0179	1		INDUCTOR RF-CH-MLD 22UH 10% .166DX.385LG	28480	9140-0179
A6A5L15	9100-1630	7		INDUCTOR RF-CH-MLD 51UH 5% .166DX.385LG	28480	9100-1630
A6A5L16	9100-1630	7		INDUCTOR RF-CH-MLD 51UH 5% .166DX.385LG	28480	9100-1630
A6A5L17	9100-4078	3		TOROID FILTER 630 UH	28480	9100-4078
A6A5L18	9140-0141	7		INDUCTOR RF-CH-MLD 680NH 10% .105DX.26LG	28480	9140-0141
A6A5L19	9100-1625	0		INDUCTOR RF-CH-MLD 33UH 5% .166DX.385LG	28480	9100-1625
A6A5L20	9100-1627	2		INDUCTOR RF-CH-MLD 39UH 5% .166DX.385LG	28480	9100-1627
A6A5L21	9140-0210	1		INDUCTOR RF-CH-MLD 100UH 5% .166DX.385LG	28480	9140-0210
A6A5L22	9140-0210	1		INDUCTOR RF-CH-MLD 100UH 5% .166DX.385LG	28480	9140-0210
A6A5L23	9100-1611	4		INDUCTOR RF-CH-MLD 220NH 20%	28480	9100-1611
2234A to 2823A A6A5L24				NOT ASSIGNED		
2837A and above A6A5L24	9100-2256	5	1	INDUCTOR RF-CH-MLD 560NH 10% .105DX26LG	28480	9100-2256
2234A to 2704A A6A5MP1	08662-00116	1	1	COVER- 1/3 END	28480	08662-00116
2706A and above A6A5MP1	08662-00228	8	1	COVER- 1/3 END	28480	08662-00228
A6A5MP2	2360-0113	2		SCREW-MACH 6-32 .25-IN-LG PAN-HD-POZI	00000	ORDER BY DESCRIPTION
A6A5MP3	5001-0176	0		GROUND STRAP	28480	5001-0176
A6A5MP3	5001-0176	0		GROUND STRAP	28480	5001-0176
A6A5Q1	1854-0404	0		TRANSISTOR NPN SI TO-18 PD=360MW	28480	1854-0404

†Refer to Section 7 for update information.

*Factory Selected Component (Refer to Section 5).

Table 6-3. Replaceable Parts

Reference Designation	HP Part Number	C D	Qty.	Description	Mfr. Code	Mfr. Part Number
A6A5Q2	1853-0012	4		TRANSISTOR PNP 2N2904A SI TO-39 PD=600MW	01295	2N2904A
A6A5Q3	1854-0408	4		TRANSISTOR NPN SI TO-18 PD=300MW	28480	1854-0408
A6A5Q4	1853-0007	7		TRANSISTOR PNP 2N3251 SI TO-18 PD=360MW	04713	2N3251
A6A5Q5	1853-0451	5		TRANSISTOR PNP 2N3799 SI TO-18 PD=360MW	01295	2N3799
	1205-0037	0		HEAT SINK TO-18-CS	28480	1205-0037
A6A5Q6	1853-0007	7		TRANSISTOR PNP 2N3251 SI TO-18 PD=360MW	04713	2N3251
<i>2234A to 2562A</i>						
A6A5Q7	1854-0475	5		TRANSISTOR-DUAL NPN PD=750MW	28480	1854-0475
<i>2601A and above</i>						
A6A5Q7	1854-1048	8		TRANSISTOR-DUAL NPN TO-78 PD=750MW	28480	1854-1048
A6A5Q8	1853-0451	5		TRANSISTOR PNP 2N3799 SI TO-18 PD=360MW	01295	2N3799
	1205-0037	0		HEAT SINK TO-18-CS	28480	1205-0037
A6A5Q9	1854-0404	0		TRANSISTOR NPN SI TO-18 PD=360MW	28480	1854-0404
A6A5Q10	1853-0451	5		TRANSISTOR PNP 2N3799 SI TO-18 PD=360MW	01295	2N3799
	1205-0037	0		HEAT SINK TO-18-CS	28480	1205-0037
A6A5Q11	1853-0007	7		TRANSISTOR PNP 2N3251 SI TO-18 PD=360MW	04713	2N3251
A6A5Q12	1853-0451	5		TRANSISTOR PNP 2N3799 SI TO-18 PD=360MW	01295	2N3799
	1205-0037	0		HEAT SINK TO-18-CS	28480	1205-0037
A6A5Q13	1854-0247	9		TRANSISTOR NPN SI TO-39 PD=1W FT=800MHZ	28480	1854-0247
A6A5Q14	1854-0404	0		TRANSISTOR NPN SI TO-18 PD=360MW	28480	1854-0404
A6A5Q17	1855-0020	8		TRANSISTOR J-FET N-CHAN D-MODE TO-18 SI	28480	1855-0020
A6A5Q18	1855-0020	8		TRANSISTOR J-FET N-CHAN D-MODE TO-18 SI	28480	1855-0020
A6A5Q19	1855-0020	8		TRANSISTOR J-FET N-CHAN D-MODE TO-18 SI	28480	1855-0020
A6A5Q20	1855-0020	8		TRANSISTOR J-FET N-CHAN D-MODE TO-18 SI	28480	1855-0020
A6A5R1	0698-7236	7		RESISTOR 1K 1% .05W F TC=0+-100	24546	C3-1/8-T0-1001-F
<i>2234A to 2823A</i>						
A6A5R2	0698-7224	3		RESISTOR 316 1% .05W F TC=0+-100	24546	C3-1/8-T0-316R-F
<i>2837A and above</i>						
A6A5R2				NOT ASSIGNED		
A6A5R3	0698-7236	7		RESISTOR 1K 1% .05W F TC=0+-100	24546	C3-1/8-T0-1001-F
A6A5R4	0698-7236	7		RESISTOR 1K 1% .05W F TC=0+-100	24546	C3-1/8-T0-1001-F
A6A5R5	0698-7212	9		RESISTOR 100 1% .05W F TC=0+-100	24546	C3-1/8-T0-100R-F
A6A5R6	0698-7212	9		RESISTOR 100 1% .05W F TC=0+-100	24546	C3-1/8-T0-100R-F
A6A5R7	0698-7212	9		RESISTOR 100 1% .05W F TC=0+-100	24546	C3-1/8-T0-100R-F
<i>2234A to 2823A</i>						
A6A5R8	0698-7194	6		RESISTOR 17.8 1% .05W F TC=0+-100	24546	C3-1/8-T0-17R8-F
<i>2837A and above</i>						
A6A5R8				NOT ASSIGNED		
A6A5R9	0698-7225	4		RESISTOR 348 1% .05W F TC=0+-100	24546	C3-1/8-T0-348R-F
A6A5R10	0698-7188	8		RESISTOR 10 1% .05W F TC=0+-100	24546	C3-1/8-T0-10R-F
A6A5R11	0698-7226	5		RESISTOR 383 1% .05W F TC=0+-100	24546	C3-1/8-T0-383R-F
<i>2234A to 2823A</i>						
A6A5R12	0698-7224	3		RESISTOR 316 1% .05W F TC=0+-100	24546	C3-1/8-T0-316R-F
<i>2837A and above</i>						
A6A5R12				NOT ASSIGNED		
A6A5R13	0698-7222	1		RESISTOR 261 1% .05W F TC=0+-100	24546	C3-1/8-T0-261R-F
A6A5R14	0698-7222	1		RESISTOR 261 1% .05W F TC=0+-100	24546	C3-1/8-T0-261R-F
A6A5R15	0698-7200	5		RESISTOR 31.6 1% .05W F TC=0+-100	24546	C3-1/8-T0-31R6-F
A6A5R16	0698-7200	5		RESISTOR 31.6 1% .05W F TC=0+-100	24546	C3-1/8-T0-31R6-F
A6A5R17	0698-7222	1		RESISTOR 261 1% .05W F TC=0+-100	24546	C3-1/8-T0-261R-F
A6A5R18	0698-7222	1		RESISTOR 261 1% .05W F TC=0+-100	24546	C3-1/8-T0-261R-F
A6A5R19	0698-7198	8		RESISTOR 21.5 1% .05W F TC=0+-100	24546	C3-1/8-T0-21R5-F
A6A5R20	0698-7216	3		RESISTOR 147 1% .05W F TC=0+-100	24546	C3-1/8-T0-147R-F
A6A5R21	0698-7216	3		RESISTOR 147 1% .05W F TC=0+-100	24546	C3-1/8-T0-147R-F
A6A5R22	0698-7229	8		RESISTOR 511 1% .05W F TC=0+-100	24546	C3-1/8-T0-511R-F
A6A5R23	0757-0280	3		RESISTOR 1K 1% .125W F TC=0+-100	24546	C4-1/8-T0-1001-F
A6A5R24	0698-0084	9		RESISTOR 2.15K 1% .125W F TC=0+-100	24546	C4-1/8-T0-2151-F
A6A5R25	0757-0290	5		RESISTOR 6.19K 1% .125W F TC=0+-100	19701	MF4C1/8-T0-6191-F
A6A5R26	0757-0280	3		RESISTOR 1K 1% .125W F TC=0+-100	24546	C4-1/8-T0-1001-F

†Refer to Section 7 for update information.

*Factory Selected Component (Refer to Section 5).

Table 6-3. Replaceable Parts

Reference Designation	HP Part Number	C D	Qty.	Description	Mfr. Code	Mfr. Part Number
A6A5R27	0698-7229	8		RESISTOR 511 1% .05W F TC=0+-100	24546	C3-1/8-T0-511R-F
A6A5R28	0698-3444	1		RESISTOR 316 1% .125W F TC=0+-100	24546	C4-1/8-T0-316R-F
A6A5R29	0757-0317	7		RESISTOR 1.33K 1% .125W F TC=0+-100	24546	C4-1/8-T0-1331-F
A6A5R30	0757-0280	3		RESISTOR 1K 1% .125W F TC=0+-100	24546	C4-1/8-T0-1001-F
A6A5R31	0698-7238	7		RESISTOR 1K 1% .05W F TC=0+-100	24546	C3-1/8-T0-1001-F
A6A5R32	0698-7264	1		RESISTOR 14.7K 1% .05W F TC=0+-100	24546	C3-1/8-T0-1472-F
A6A5R33	0698-7244	7		RESISTOR 2.15K 1% .05W F TC=0+-100	24546	C3-1/8-T0-2151-F
A6A5R34*	0698-7242	5	2	RESISTOR 1.78K 1% .05W F TC=0+-100	24546	C3-1/8-T0-1781-F
A6A5R35	0757-0465	6		RESISTOR 100K 1% .125W F TC=0+-100	24546	C4-1/8-T0-1003-F
A6A5R36	0698-7266	3		RESISTOR 17.8K 1% .05W F TC=0+-100	24546	C3-1/8-T0-1782-F
A6A5R37	0698-7229	8		RESISTOR 511 1% .05W F TC=0+-100	24546	C3-1/8-T0-511R-F
A6A5R38	0698-7188	8		RESISTOR 10 1% .05W F TC=0+-100	24546	C3-1/8-T0-10R-F
A6A5R39	0698-7218	6		RESISTOR 196 1% .05W F TC=0+-100	24546	C3-1/8-T0-196R-F
A6A5R40	0698-7196	8		RESISTOR 21.5 1% .05W F TC=0+-100	24546	C3-1/8-T0-21R6-F
A6A5R41	0698-7275	4		RESISTOR 42.2K 1% .05W F TC=0+-100	24546	C3-1/8-T0-4222-F
A6A5R42	0698-7258	1		RESISTOR 5.81K 1% .05W F TC=0+-100	24546	C3-1/8-T0-6811-F
A6A5R43	0698-7244	7		RESISTOR 2.15K 1% .05W F TC=0+-100	24546	C3-1/8-T0-2151-F
A6A5R44	0698-7238	7		RESISTOR 1K 1% .05W F TC=0+-100	24546	C3-1/8-T0-1001-F
A6A5R45	0757-0279	0		RESISTOR 3.16K 1% .125W F TC=0+-100	24546	C4-1/8-T0-3161-F
A6A5R46	0698-7264	1		RESISTOR 14.7K 1% .05W F TC=0+-100	24546	C3-1/8-T0-1472-F
A6A5R47	0698-7188	8		RESISTOR 10 1% .05W F TC=0+-100	24546	C3-1/8-T0-10R-F
A6A5R48	0698-7188	8		RESISTOR 10 1% .05W F TC=0+-100	24546	C3-1/8-T0-10R-F
A6A5R49	0698-7188	8		RESISTOR 10 1% .05W F TC=0+-100	24546	C3-1/8-T0-10R-F
A6A5R50	0698-7188	8		RESISTOR 10 1% .05W F TC=0+-100	24546	C3-1/8-T0-10R-F
A6A5R51	0698-7268	5		RESISTOR 21.5K 1% .05W F TC=0+-100	24546	C3-1/8-T0-2152-F
A6A5R52	0698-7212	8		RESISTOR 100 1% .05W F TC=0+-100	24546	C3-1/8-T0-100R-F
A6A5R53	0698-7212	9		RESISTOR 100 1% .05W F TC=0+-100	24546	C3-1/8-T0-100R-F
A6A5R54	0698-7212	9		RESISTOR 100 1% .05W F TC=0+-100	24546	C3-1/8-T0-100R-F
A6A5R55	0698-7212	9		RESISTOR 100 1% .05W F TC=0+-100	24546	C3-1/8-T0-100R-F
A6A5R56	0698-7240	3		RESISTOR 1.47K 1% .05W F TC=0+-100	24546	C3-1/8-T0-1471-F
A6A5R57	0757-0424	7		RESISTOR 1.1K 1% .125W F TC=0+-100	24546	C4-1/8-T0-1101-F
A6A5R58	0698-7249	2		RESISTOR 3.48K 1% .05W F TC=0+-100	24546	C3-1/8-T0-3481-F
A6A5R59	0757-0419	0		RESISTOR 681 1% .125W F TC=0+-100	24546	C4-1/8-T0-681R-F
A6A5R60	0698-7268	5		RESISTOR 21.5K 1% .05W F TC=0+-100	24546	C3-1/8-T0-2152-F
A6A5R61	0698-7268	5		RESISTOR 21.5K 1% .05W F TC=0+-100	24546	C3-1/8-T0-2152-F
A6A5R62	0698-7268	5		RESISTOR 21.5K 1% .05W F TC=0+-100	24546	C3-1/8-T0-2152-F
A6A5R63	0698-7268	5		RESISTOR 21.5K 1% .05W F TC=0+-100	24546	C3-1/8-T0-2152-F
A6A5R64	0757-0199	3		RESISTOR 21.5K 1% .125W F TC=0+-100	24546	C4-1/8-T0-2152-F
A6A5R65	0698-7268	5		RESISTOR 21.5K 1% .05W F TC=0+-100	24546	C3-1/8-T0-2152-F
A6A5R66	0698-7268	5		RESISTOR 21.5K 1% .05W F TC=0+-100	24546	C3-1/8-T0-2152-F
A6A5R67	0698-7268	5		RESISTOR 21.5K 1% .05W F TC=0+-100	24546	C3-1/8-T0-2152-F
A6A5R68	0698-7268	5		RESISTOR 21.5K 1% .05W F TC=0+-100	24546	C3-1/8-T0-2152-F
A6A5R69	0698-3154	0		RESISTOR 4.22K 1% .125W F TC=0+-100	24546	C4-1/8-T0-4221-F
A6A5R70	0757-0421	4		RESISTOR 825 1% .125W F TC=0+-100	24546	C4-1/8-T0-825R-F
A6A5R71	0757-0421	4		RESISTOR 825 1% .125W F TC=0+-100	24546	C4-1/8-T0-825R-F
A6A5R72	0698-3476	9		RESISTOR 6K 1% .125W F TC=0+-100	03888	PME55-1/8-T0-6001-F
A6A5R73	0757-1093	8		RESISTOR 3K 1% .125W F TC=0+-100	24546	C4-1/8-T0-3001-F
A6A5R74	0757-1094	9		RESISTOR 1.47K 1% .125W F TC=0+-100	24546	C4-1/8-T0-1471-F

† Refer to Section 7 for update information.

* Factory Selected Component (Refer to Section 5.)

Table 6-3. Replaceable Parts

Reference Designation	HP Part Number	C D	Qty.	Description	Mfr. Code	Mfr. Part Number
A6A5R75	0698-3548	6		RESISTOR 732 1% .125W F TC=0+-100	24546	C4-1/8-T0-732R-F
A6A5R76	0757-0444	1		RESISTOR 12.1K 1% .125W F TC=0+-100	24546	C4-1/8-T0-1212-F
A6A5R77	0698-3440	7		RESISTOR 196 1% .125W F TC=0+-100	24546	C4-1/8-T0-196R-F
A6A5R78	0757-0290	5		RESISTOR 6.19K 1% .125W F TC=0+-100	19701	MF4C1/8-T0-6191-F
A6A5R79	0757-0288	1		RESISTOR 9.09K 1% .125W F TC=0+-100	19701	MF4C1/8-T0-9091-F
A6A5R80	0698-3438	3		RESISTOR 147 1% .125W F TC=0+-100	24546	C4-1/8-T0-147R-F
A6A5R81	0757-0290	5		RESISTOR 6.19K 1% .125W F TC=0+-100	19701	MF4C1/8-T0-6191-F
A6A5R82	0757-0440	7		RESISTOR 7.5K 1% .125W F TC=0+-100	24546	C4-1/8-T0-7501-F
A6A5R83	0757-0403	2		RESISTOR 121 1% .125W F TC=0+-100	24546	C4-1/8-T0-121R-F
A6A5R84	0698-3154	0		RESISTOR 4.22K 1% .125W F TC=0+-100	24546	C4-1/8-T0-4221-F
A6A5R85	2100-2497	9		RESISTOR-TRMR 2K 10% C TOP-ADJ 1-TRN	73138	B2PR2K
A6A5R86	0757-0401	0		RESISTOR 100 1% .125W F TC=0+-100	24546	C4-1/8-T0-101-F
A6A5R87	0698-3151	7		RESISTOR 2.07K 1% .125W F TC=0+-100	24546	C4-1/8-T0-2071-F
A6A5R88	0757-0398	4		RESISTOR 75 1% .125W F TC=0+-100	24546	C4-1/8-T0-75R0-F
A6A5R89	0757-0278	9		RESISTOR 1.79K 1% .125W F TC=0+-100	24546	C4-1/8-T0-1791-F
A6A5R90	0698-7212	9		RESISTOR 100 1% .05W F TC=0+-100	24546	C3-1/8-T0-100R-F
A6A5R91	0757-0422	6		RESISTOR 909 1% .125W F TC=0+-100	24546	C4-1/8-T0-909R-F
A6A5R92	0757-0422	5		RESISTOR 909 1% .125W F TC=0+-100	24546	C4-1/8-T0-909R-F
A6A5R93	0757-0279	0		RESISTOR 3.16K 1% .125W F TC=0+-100	24546	C4-1/8-T0-3161-F
A6A5R94	0698-7221	0		RESISTOR 237 1% .05W F TC=0+-100	24546	C3-1/8-T0-237R-F
A6A5R95	0698-7238	9		RESISTOR 1.21K 1% .05W F TC=0+-100	24546	C3-1/8-T0-1211-F
A6A5R96	0698-7234	5		RESISTOR 825 1% .05W F TC=0+-100	24546	C3-1/8-T0-825R-F
A6A5R97	0698-7205	0		RESISTOR 51.1 1% .05W F TC=0+-100	24546	C3-1/8-T0-51R1-F
A6A5R98	0698-7205	0		RESISTOR 51.1 1% .05W F TC=0+-100	24546	C3-1/8-T0-51R1-F
A6A5R99	0757-0438	3		RESISTOR 5.11K 1% .125W F TC=0+-100	24546	C4-1/8-T0-5111-F
A6A5R100	0698-7188	9		RESISTOR 10 1% .05W F TC=0+-100	24546	C3-1/8-T0-10R-F
A6A5R101	0698-7260	7		RESISTOR 10K 1% .05W F TC=0+-100	24546	C3-1/8-T0-1002-F
A6A5R102	0698-7236	7		RESISTOR 1K 1% .05W F TC=0+-100	24546	C3-1/8-T0-1001-F
A6A5R103	0698-7277	6		RESISTOR 51.1K 1% .05W F TC=0+-100	24546	C3-1/8-T0-5112-F
A6A5R104	0698-7277	6		RESISTOR 51.1K 1% .05W F TC=0+-100	24546	C3-1/8-T0-5112-F
A6A5R105	0698-7277	6		RESISTOR 51.1K 1% .05W F TC=0+-100	24546	C3-1/8-T0-5112-F
A6A5R106	0698-7277	6		RESISTOR 51.1K 1% .05W F TC=0+-100	24546	C3-1/8-T0-5112-F
A6A5R107	0698-7261	8		RESISTOR 11K 1% .05W F TC=0+-100	24546	C3-1/8-T0-1102-F
A6A5R108	0698-7236	7		RESISTOR 1K 1% .05W F TC=0+-100	24546	C3-1/8-T0-1001-F
A6A5R109	0698-7236	7		RESISTOR 1K 1% .05W F TC=0+-100	24546	C3-1/8-T0-1001-F
A6A5R110	0698-7236	7		RESISTOR 1K 1% .05W F TC=0+-100	24546	C3-1/8-T0-1001-F
A6A5R111	0698-7236	7		RESISTOR 1K 1% .05W F TC=0+-100	24546	C3-1/8-T0-1001-F
A6A5R112	0698-7261	8		RESISTOR 11K 1% .05W F TC=0+-100	24546	C3-1/8-T0-1102-F
A6A5R113	0698-7224	3		RESISTOR 316 1% .05W F TC=0+-100	24546	C3-1/8-T0-316R-F
A6A5R114	0698-7224	3		RESISTOR 316 1% .05W F TC=0+-100	24546	C3-1/8-T0-316R-F
A6A5R115	0698-7212	9		RESISTOR 100 1% .05W F TC=0+-100	24546	C3-1/8-T0-100R-F
A6A5R116	0698-7222	1		RESISTOR 261 1% .05W F TC=0+-100	24546	C3-1/8-T0-261R-F
A6A5R117	0698-7212	9		RESISTOR 100 1% .05W F TC=0+-100	24546	C3-1/8-T0-100R-F
A6A5R118	0698-7222	1		RESISTOR 261 1% .05W F TC=0+-100	24546	C3-1/8-T0-261R-F
A6A5R119	0698-7253	P		RESISTOR 5.11K 1% .05W F TC=0+-100	24546	C3-1/8-T0-5111-F
A6A5R120	0698-7236	7		RESISTOR 1K 1% .05W F TC=0+-100	24546	C3-1/8-T0-1001-F
A6A5R121	0698-7277	6		RESISTOR 51.1K 1% .05W F TC=0+-100	24546	C3-1/8-T0-5112-F
A6A5R122	0698-7229	8		RESISTOR 511 1% .05W F TC=0+-100	24546	C3-1/8-T0-511R-F
A6A5R123	0698-7225	4		RESISTOR 348 1% .05W F TC=0+-100	24546	C3-1/8-T0-348R-F
A6A5R124	0698-7229	8		RESISTOR 511 1% .05W F TC=0+-100	24546	C3-1/8-T0-511R-F

† Refer to Section 7 for update information.

* Factory Selected Component (Refer to Section 5.)

Table 6-3. Replaceable Parts

Reference Designation	HP Part Number	C D	Qty.	Description	Mfr. Code	Mfr. Part Number
A6A5R125	0698-7241	4		RESISTOR 1.62K 1% .05W F TC=0+-100	24546	C3-1/8-TO-1621-F
A6A5R126	0698-7225	4		RESISTOR 348 1% .05W F TC=0+-100	24546	C3-1/8-TO-348R-F
A6A5R127	0698-7229	8		RESISTOR 511 1% .05W F TC=0+-100	24546	C3-1/8-TO-511R-F
A6A5R128	0698-7241	4		RESISTOR 1.62K 1% .05W F TC=0+-100	24546	C3-1/8-TO-1621-F
A6A5R129	0698-7262	8		RESISTOR 12.1K 1% .05W F TC=0+-100	24546	C3-1/8-TO-1212-F
A6A5R130	0698-7229	8		RESISTOR 511 1% .05W F TC=0+-100	24546	C3-1/8-TO-511R-F
A6A5R132	0698-7275	4		RESISTOR 42.2K 1% .05W F TC=0+-100	24546	C3-1/8-TO-4222-F
A6A5R133	0698-7236	7		RESISTOR 1K 1% .05W F TC=0+-100	24546	C3-1/8-TO-1001-F
A6A5R134	0698-7236	7		RESISTOR 1K 1% .05W F TC=0+-100	24546	C3-1/8-TO-1001-F
A6A5R135	0698-7229	8		RESISTOR 511 1% .05W F TC=0+-100	24546	C3-1/8-TO-511R-F
A6A5R136	0698-7229	8		RESISTOR 511 1% .05W F TC=0+-100	24546	C3-1/8-TO-511R-F
A6A5R138	0698-7229	8		RESISTOR 511 1% .05W F TC=0+-100	24546	C3-1/8-TO-511R-F
A6A5R139	0698-7229	8		RESISTOR 511 1% .05W F TC=0+-100	24546	C3-1/8-TO-511R-F
A6A5R140	0698-7260	7		RESISTOR 10K 1% .05W F TC=0+-100	24546	C3-1/8-TO-1002-F
A6A5R141	0698-7272	1		RESISTOR 31.6K 1% .05W F TC=0+-100	24546	C3-1/8-TO-3162-F
A6A5R142	0698-7244	7		RESISTOR 2.15K 1% .05W F TC=0+-100	24546	C3-1/8-TO-2151-F
A6A5R143	0698-7244	7		RESISTOR 2.15K 1% .05W F TC=0+-100	24546	C3-1/8-TO-2151-F
A6A5R144	0698-7236	7		RESISTOR 1K 1% .05W F TC=0+-100	24546	C3-1/8-TO-1001-F
A6A5R145	0698-7253	8		RESISTOR 5.11K 1% .05W F TC=0+-100	24546	C3-1/8-TO-5111-F
A6A5R146	0698-7236	7		RESISTOR 1K 1% .05W F TC=0+-100	24546	C3-1/8-TO-1001-F
A6A5R147	0698-7219	6		RESISTOR 196 1% .05W F TC=0+-100	24546	C3-1/8-TO-196R-F
2294A TO 2613A A6A6R148	0698-7229	8		RESISTOR 511 1% .05W F TC=0+-100	24546	C3-1/8-TO-511R-F
2616A AND ABOVE A6A4R148	0698-7239	0		RESISTOR 1.33K 1% .05W F TC=0+-100	24546	C3-1/8-TO-1331-F
A6A5R149	0698-7229	8		RESISTOR 511 1% .05W F TC=0+-100	24546	C3-1/8-TO-511R-F
A6A5R150	0698-7240	3		RESISTOR 1.47K 1% .05W F TC=0+-100	24546	C3-1/8-TO-1471-F
A6A5R151	0698-7240	3		RESISTOR 1.47K 1% .05W F TC=0+-100	24546	C3-1/8-TO-1471-F
A6A5R152	0698-7205	0		RESISTOR 51.1 1% .05W F TC=0+-100	24546	C3-1/8-TO-51R1-F
A6A5R153	0698-7205	0		RESISTOR 51.1 1% .05W F TC=0+-100	24546	C3-1/8-TO-51R1-F
A6A5R154	0698-7205	0		RESISTOR 51.1 1% .05W F TC=0+-100	24546	C3-1/8-TO-51R1-F
A6A5R155	0698-7205	0		RESISTOR 51.1 1% .05W F TC=0+-100	24546	C3-1/8-TO-51R1-F
A6A5R156*	2100-2487	9	4	RESISTOR-TRMR 2K 10% C TOP-ADJ 1-TRN	73138	82PR2K
A6A5S1	3101-0860	9		SWITCH-SL DPDT MINTR .5A 125VAC/DC PC	28480	3101-0860
A6A5T1	08640-60355	0		TRANSFORMER, RF, BLUE	28480	08640-60355
A6A5T2	08640-60355	0		TRANSFORMER, RF, BLUE	28480	08640-60355
A6A5TP1	1251-0600	0		CONNECTOR-SGL CONT PIN 1.14-MM-BSC-SZ SQ	28480	1251-0600
A6A5TP2	1251-0600	0		CONNECTOR-SGL CONT PIN 1.14-MM-BSC-SZ SQ	28480	1251-0600
A6A5TP3	1251-0600	0		CONNECTOR-SGL CONT PIN 1.14-MM-BSC-SZ SQ	28480	1251-0600
A6A5TP4	1251-0600	0		CONNECTOR-SGL CONT PIN 1.14-MM-BSC-SZ SQ	28480	1251-0600
A6A5TP5	1251-0600	0		CONNECTOR-SGL CONT PIN 1.14-MM-BSC-SZ SQ	28480	1251-0600
A6A5TP6	1251-0600	0		CONNECTOR-SGL CONT PIN 1.14-MM-BSC-SZ SQ	28480	1251-0600
A6A5TP7	1251-0600	0		CONNECTOR-SGL CONT PIN 1.14-MM-BSC-SZ SQ	28480	1251-0600
A6A5TP8	1251-0600	0		CONNECTOR-SGL CONT PIN 1.14-MM-BSC-SZ SQ	28480	1251-0600
A6A5TP9	1251-0600	0		CONNECTOR-SGL CONT PIN 1.14-MM-BSC-SZ SQ	28480	1251-0600
A6A5TP10	1251-0600	0		CONNECTOR-SGL CONT PIN 1.14-MM-BSC-SZ SQ	28480	1251-0600
A6A5TP11	1251-0600	0		CONNECTOR-SGL CONT PIN 1.14-MM-BSC-SZ SQ	28480	1251-0600
A6A5TP12	1251-0600	0		CONNECTOR-SGL CONT PIN 1.14-MM-BSC-SZ SQ	28480	1251-0600
A6A5TP13	1251-0600	0		CONNECTOR-SGL CONT PIN 1.14-MM-BSC-SZ SQ	28480	1251-0600
A6A5TP14	1251-0600	0		CONNECTOR-SGL CONT PIN 1.14-MM-BSC-SZ SQ	28480	1251-0600

†Refer to Section 7 for update information.

*Factory Selected Component (Refer to Section 5).

8-6. Status Light and Status Codes

The STATUS light is a valuable troubleshooting aid but it should be used in conjunction with the other troubleshooting information in this manual. Its use and its numeric codes are described opposite BD1.

8-8. RECOMMENDED TEST EQUIPMENT

Table 1-3 (in the Operation and Calibration Manual) lists the equipment required for maintaining the Generator. The Critical Specification column describes the essential requirements for each piece of test equipment. Other equipment can be substituted if it meets or exceeds these critical specifications.

The Recommended Model column may suggest more than one model. The first model shown is usually the least expensive, single-purpose model. Alternate models are suggested for additional features that would make them a better choice in some applications. For example, reasons for recommending an alternate model might be:

- * HP-IB programmability

-or-

- * Multi-function capability (that is, one model can replace two or more single purpose models.

Table 1-4 presents the advantages of the alternate suggestions.

8-9. SERVICE TOOLS AND AIDS

8-10. Service Accessory Kit

A service accessory kit, Hewlett-Packard accessory number 11714A, is required for servicing and troubleshooting the Signal Generator. The service kit contains extender boards, connectors, cables, adapters and other service aids. For more details on the service accessory kit, see Table 1-5 in the Operation and Calibration Manual.

8-11. Parts Locations

The locations of individual components mounted on printed circuit boards or their assemblies are shown on the page facing the schematic diagram on the appropriate service sheet. The part reference designator is the assembly designator plus the part designator. For example A3A2R9 is R9 on the A3A2 assembly. For specific component descriptions and ordering information, refer to Table 6-3, Replaceable Parts in Volume 1. Chassis and frame parts, as well as mechanical parts, are identified on Figures 6-1 through 6-2.

8-12. Test Points and Adjustment Locations

Most test points and adjustments are indicated on the top covers of the individual assemblies. Test points and adjustments can also be found on the component locator adjacent to the particular assembly's schematic.

8-13. Service Aids on Printed Circuit Boards

Service aids on printed circuit boards include test points, indicator lights, transistor and integrated circuit and relay designations, adjustment names and assembly part numbers.

Table 6-3. Replaceable Parts

Reference Designation	HP Part Number	C D	Qty.	Description	Mfr. Code	Mfr. Part Number
A6A6						
A6A6	08662-60105	4	1	RF MIXER, RS LOOP ASSEMBLY	28480	08662-60105
2234A to 2823A						
A6A6C1	0160-3879	7		CAPACITOR-FXD .01UF +-20% 100VDC CER	28480	0160-3879
A6A6C2	0160-3879	7		CAPACITOR-FXD .01UF +-20% 100VDC CER	28480	0160-3879
2837A and above						
A6A6C1	0160-6216	2		CAPACITOR-FXD 1000PF +-5% 50VDC CER	28480	0160-6216
A6A6C2	0160-6216	2		CAPACITOR-FXD 1000PF +-5% 50VDC CER	28480	0160-6216
A6A6C3	0180-2618	2		CAPACITOR-FXD 33UF+-10% 10VDC TA	25088	D33GS1B10K
A6A6C4	0180-2619	3		CAPACITOR-FXD 22UF+-10% 15VDC TA	25088	D22GS1B15K
A6A6C5	0160-3878	6		CAPACITOR-FXD 1000PF +-20% 100VDC CER	28480	0160-3878
A6A6C6	0160-3878	6		CAPACITOR-FXD 1000PF +-20% 100VDC CER	28480	0160-3878
A6A6C7	0160-3878	6		CAPACITOR-FXD 1000PF +-20% 100VDC CER	28480	0160-3878
A6A6C8	0160-3878	6		CAPACITOR-FXD 1000PF +-20% 100VDC CER	28480	0160-3878
A6A6C9	0160-3878	6		CAPACITOR-FXD 1000PF +-20% 100VDC CER	28480	0160-3878
A6A6C10	0160-3878	6		CAPACITOR-FXD 1000PF +-20% 100VDC CER	28480	0160-3878
A6A6C11	0160-3878	6		CAPACITOR-FXD 1000PF +-20% 100VDC CER	28480	0160-3878
A6A6C12	0160-3878	6		CAPACITOR-FXD 1000PF +-20% 100VDC CER	28480	0160-3878
A6A6C13	0160-3878	6		CAPACITOR-FXD 1000PF +-20% 100VDC CER	28480	0160-3878
A6A6C14	0160-3878	6		CAPACITOR-FXD 1000PF +-20% 100VDC CER	28480	0160-3878
A6A6C15	0160-3878	6		CAPACITOR-FXD 1000PF +-20% 100VDC CER	28480	0160-3878
A6A6C16	0160-3878	6		CAPACITOR-FXD 1000PF +-20% 100VDC CER	28480	0160-3878
A6A6C17	0160-3878	6		CAPACITOR-FXD 1000PF +-20% 100VDC CER	28480	0160-3878
A6A6C18	0160-3877	5		CAPACITOR-FXD 100PF +-20% 200VDC CER	28480	0160-3877
A6A6C19	0160-3878	6		CAPACITOR-FXD 1000PF +-20% 100VDC CER	28480	0160-3878
A6A6C20	0160-3878	6		CAPACITOR-FXD 1000PF +-20% 100VDC CER	28480	0160-3878
A6A6C21	0160-3875	3		CAPACITOR-FXD 22PF +-5% 200VDC CER 0+-30	28480	0160-3875
A6A6C22	0160-4547	8	2	CAPACITOR-FXD 150PF +-5% 200VDC CER	28480	0160-4547
A6A6C23	0160-3874	2		CAPACITOR-FXD 10PF +-5PF 200VDC CER	28480	0160-3874
A6A6C24	0160-5970	3		CAPACITOR-FXD 3.9PF +-5PF 50VDC CER	28480	0160-5970
A6A6C25	0160-5970	3		CAPACITOR-FXD 3.9PF +-5PF 50VDC CER	28480	0160-5970
A6A6J1	1250-1220	0		CONNECTOR-RF SMC M PC 50-OHM	28480	1250-1220
	2950-0078	9		NUT-HEX-DBL-CHAM 10-32-THD .067-IN-THK	28480	2950-0078
	2190-0124	4		WASHER-LK INTL T NO. 10 .195-IN-ID	28480	2190-0124
A6A6L1	9100-3922	4		COIL 3.0UH	28480	9100-3922
A6A6L2	9100-3922	4		COIL 3.0UH	28480	9100-3922
A6A6L3	9140-0210	1		INDUCTOR RF-CH-MLD 100UH 5% .166DX.385LG	28480	9140-0210
A6A6L4	9140-0210	1		INDUCTOR RF-CH-MLD 100UH 5% .166DX.385LG	28480	9140-0210
A6A6L5	9135-0073	3		INDUCTOR RF-CH-MLD 51NH 6% .102DX.28LG	28480	9135-0073
A6A6L6	9100-2255	4		INDUCTOR RF-CH-MLD 470NH 10% .105DX.28LG	28480	9100-2255
A6A6L7	9100-2255	4		INDUCTOR RF-CH-MLD 470NH 10% .105DX.28LG	28480	9100-2255
A6A6L8	9100-2247	4		INDUCTOR RF-CH-MLD 100NH 10% .105DX.28LG	28480	9100-2247
A6A6MP1	08662-00109	2	1	COVER- 1/3 END	28480	08662-00109
	2360-0113	2		SCREW-MACH 6-32 .25-IN-LG PAN-HD-POZI	00000	ORDER BY DESCRIPTION
A6A6MP2	5001-0176	0		GROUND STRAP	28480	5001-0176
A6A6MP3	5001-0176	0		GROUND STRAP	28480	5001-0176
A6A6MP4				NOT ASSIGNED		
A6A6Q1	1854-0720	3		TRANSISTOR NPN SI PD=500MW FT=4GHZ	28480	1854-0720
A6A6R1	0688-7224	3		RESISTOR 316 1% .05W F TC=0+-100	24546	C3-1/8-TO-316R-F

†Refer to Section 7 for update information.

*Factory Selected Component (Refer to Section 5).

Table 6-3. Replaceable Parts

Reference Designation	HP Part Number	C D	Qty.	Description	Mfr. Code	Mfr. Part Number
A6A6R2	0698-7194	6		RESISTOR 17.8 1% .05W F TC=0+-100	24546	C3-1/8-TO-17R8-F
A6A6R3	0698-7216	3	16	RESISTOR 147 1% .05W F TC=0+-100	24546	C3-1/8-TO-147R-F
A6A6R4	0757-0180	2	7	RESISTOR 31.6 1% .125W F TC=0+-100	28480	0757-0180
A6A6R5	0698-7202	7	1	RESISTOR 38.3 1% .05W F TC=0+-100	24546	C3-1/8-TO-38R3-F
A6A6R6	0698-7229	8		RESISTOR 511 1% .05W F TC=0+-100	24546	C3-1/8-TO-511R-F
A6A6R7	0698-7216	3		RESISTOR 147 1% .05W F TC=0+-100	24546	C3-1/8-TO-147R-F
A6A6R8	0698-7216	3		RESISTOR 147 1% .05W F TC=0+-100	24546	C3-1/8-TO-147R-F
A6A6R9	0698-3430	5	14	RESISTOR 21.5 1% .125W F TC=0+-100	03888	PME55-1/8-TO-21R5-F
A6A6R10	0698-7198	8		RESISTOR 21.5 1% .05W F TC=0+-100	24546	C3-1/8-TO-21R5-F
A6A6R11	0698-3430	5		RESISTOR 21.5 1% .125W F TC=0+-100	03888	PME55-1/8-TO-21R5-F
A6A6R12	0757-0180	2		RESISTOR 31.6 1% .125W F TC=0+-100	28480	0757-0180
A6A6R13	0698-7227	6		RESISTOR 422 1% .05W F TC=0+-100	24546	C3-1/8-TO-422R-F
A6A6R14	0698-7216	3		RESISTOR 147 1% .05W F TC=0+-100	24546	C3-1/8-TO-147R-F
A6A6R15	0698-3430	5		RESISTOR 21.5 1% .125W F TC=0+-100	03888	PME55-1/8-TO-21R5-F
A6A6R16	0698-7224	3		RESISTOR 316 1% .05W F TC=0+-100	24546	C3-1/8-TO-316R-F
A6A6R17	0698-3430	5		RESISTOR 21.5 1% .125W F TC=0+-100	03888	PME55-1/8-TO-21R5-F
A6A6R18	0698-7216	3		RESISTOR 147 1% .05W F TC=0+-100	24546	C3-1/8-TO-147R-F
A6A6R19	0698-7232	3		RESISTOR 681 1% .05W F TC=0+-100	24546	C3-1/8-TO-681R-F
A6A6R20	0698-7198	8		RESISTOR 21.5 1% .05W F TC=0+-100	24546	C3-1/8-TO-21R5-F
A6A6R21	0757-0394	0		RESISTOR 51.1 1% .125W F TC=0+-100	24546	C4-1/8-TO-51R1-F
A6A6R22	0698-7198	8		RESISTOR 21.5 1% .05W F TC=0+-100	24546	C3-1/8-TO-21R5-F
A6A6R23	0698-7198	8		RESISTOR 21.5 1% .05W F TC=0+-100	24546	C3-1/8-TO-21R5-F
A6A6U1	1826-0372	2		IC, LIMITER	28480	1826-0372
A6A6U2	1826-0372	2		IC, LIMITER	28480	1826-0372
A6A6U3	0955-0096	9		MIXER, DOUBLE-BALANCE	28480	0955-0096
A6A6W1	08662-20048	0	2	CABLE, SEMI-RIGID (PART OF J2)	28480	08662-20048

†Refer to Section 7 for update information.

*Factory Selected Component (Refer to Section 5).

Table 6-3. Replaceable Parts

Reference Designation	HP Part Number	C D	Qty.	Description	Mfr. Code	Mfr. Part Number
A6A7						
A6A7	08862-80106	5	1	RF BUFFER ASSEMBLY	28480	08862-80106
A6A7C1	0160-3879	7		CAPACITOR-FXD .01UF +-20% 100VDC CER	28480	0160-3879
A6A7C2	0160-3879	7		CAPACITOR-FXD .01UF +-20% 100VDC CER	28480	0160-3879
A6A7C3	0160-2618	2		CAPACITOR-FXD 33UF+-10% 10VDC TA	25088	D33G31B10K
A6A7C4	0160-2618	3		CAPACITOR-FXD 22UF+-10% 15VDC TA	25088	D22G31B15K
A6A7C5	0160-3878	6		CAPACITOR-FXD 1000PF +-20% 100VDC CER	28480	0160-3878
A6A7C6	0160-3878	6		CAPACITOR-FXD 1000PF +-20% 100VDC CER	28480	0160-3878
A6A7C7	0160-3878	6		CAPACITOR-FXD 1000PF +-20% 100VDC CER	28480	0160-3878
A6A7C8	0160-3878	6		CAPACITOR-FXD 1000PF +-20% 100VDC CER	28480	0160-3878
A6A7C9	0160-3878	6		CAPACITOR-FXD 1000PF +-20% 100VDC CER	28480	0160-3878
A6A7C10	0160-3878	6		CAPACITOR-FXD 1000PF +-20% 100VDC CER	28480	0160-3878
A6A7C11	0160-3878	6		CAPACITOR-FXD 1000PF +-20% 100VDC CER	28480	0160-3878
A6A7C12	0160-3878	6		CAPACITOR-FXD 1000PF +-20% 100VDC CER	28480	0160-3878
A6A7C13	0160-3878	6		CAPACITOR-FXD 1000PF +-20% 100VDC CER	28480	0160-3878
A6A7C14	0160-3878	6		CAPACITOR-FXD 1000PF +-20% 100VDC CER	28480	0160-3878
A6A7C15	0160-3878	6		CAPACITOR-FXD 1000PF +-20% 100VDC CER	28480	0160-3878
A6A7C16	0160-3878	6		CAPACITOR-FXD 1000PF +-20% 100VDC CER	28480	0160-3878
A6A7C17	0160-3878	6		CAPACITOR-FXD 1000PF +-20% 100VDC CER	28480	0160-3878
A6A7C18	0160-3878	6		CAPACITOR-FXD 1000PF +-20% 100VDC CER	28480	0160-3878
A6A7C19	0160-3878	6		CAPACITOR-FXD 1000PF +-20% 100VDC CER	28480	0160-3878
A6A7C20	0160-3878	6		CAPACITOR-FXD 1000PF +-20% 100VDC CER	28480	0160-3878
A6A7C21	0160-3878	6		CAPACITOR-FXD 1000PF +-20% 100VDC CER	28480	0160-3878
A6A7C22	0160-3878	6		CAPACITOR-FXD 1000PF +-20% 100VDC CER	28480	0160-3878
A6A7C23	0160-3873	1		CAPACITOR-FXD 4.7PF +-5PF 200VDC CER	28480	0160-3873
A6A7C24	0160-3873	1		CAPACITOR-FXD 4.7PF +-5PF 200VDC CER	28480	0160-3873
A6A7J1	1250-1220	0		CONNECTOR-RF SMC M PC 50-OHM	28480	1250-1220
	2190-0124	4		WASHER-LK INTL T NO. 10 .195-IN-ID	28480	2190-0124
	2950-0078	9		NUT-HEX-DBL-CHAM 10-32-THD .067-IN-THK	28480	2950-0078
	2190-0124	4		WASHER-LK INTL T NO. 10 .195-IN-ID	28480	2190-0124
A6A7J2	2950-0078	9		NUT-HEX-DBL-CHAM 10-32-THD .067-IN-THK	28480	2950-0078
A6A7L1	9100-3922	4		COIL, 3.0 UH	28480	9100-3922
A6A7L2	9100-3922	4		COIL, 3.0 UH	28480	9100-3922
A6A7L3	9140-0210	1		INDUCTOR RF-CH-MLD 100UH 5% .186DX.385LG	28480	9140-0210
A6A7L4	9140-0210	1		INDUCTOR RF-CH-MLD 100UH 5% .186DX.385LG	28480	9140-0210
A6A7L5	9135-0069	7		INDUCTOR, .030 UH	28480	9135-0069
A6A7MP1	08862-00104	7	1	COVER- 1/3 END	28480	08862-00104
	2380-0113	2		SCREW-MACH 6-32 .25-IN-LG PAN-HD-POZI	00000	ORDER BY DESCRIPTION
A6A7MP2	5001-0176	0		GROUND STRAP	28480	5001-0176
A6A7MP3	5001-0176	0		GROUND STRAP	28480	5001-0176
A6A7MP4				NOT ASSIGNED		
A6A7R1	0698-7224	3		RESISTOR 316 1% .05W F TC=0+-100	24546	C3-1/8-TO-316R-F
A6A7R2	0698-7194	6		RESISTOR 17.8 1% .05W F TC=0+-100	24546	C3-1/8-TO-17R8-F
A6A7R3	0698-7224	3		RESISTOR 316 1% .05W F TC=0+-100	24546	C3-1/8-TO-316R-F
A6A7R4	0757-0180	2		RESISTOR 31.6 1% .125W F TC=0+-100	28480	0757-0180
A6A7R5	0698-7229	8		RESISTOR 511 1% .05W F TC=0+-100	24546	C3-1/8-TO-511R-F
A6A7R6	0698-7216	3		RESISTOR 147 1% .05W F TC=0+-100	24546	C3-1/8-TO-147R-F

†Refer to Section 7 for update information.

*Factory Selected Component (Refer to Section 5).

Table 6-3. Replaceable Parts

Reference Designation	HP Part Number	C D	Qty.	Description	Mfr. Code	Mfr. Part Number
A6A7R7	0698-3430	5		RESISTOR 21.5 1% .125W F TC=0+-100	03888	PME55-1/8-TO-21R5-F
A6A7R8	0698-7198	8		RESISTOR 21.5 1% .05W F TC=0+-100	24546	C3-1/8-TO-21R5-F
A6A7R9	0698-3430	5		RESISTOR 21.5 1% .125W F TC=0+-100	03888	PME55-1/8-TO-21R5-F
A6A7R10	0757-0180	2		RESISTOR 31.8 1% .125W F TC=0+-100	28480	0757-0180
A6A7R11	0698-7229	8		RESISTOR 511 1% .05W F TC=0+-100	24546	C3-1/8-TO-511R-F
A6A7R12	0698-7216	3		RESISTOR 147 1% .05W F TC=0+-100	24546	C3-1/8-TO-147R-F
A6A7R13	0698-3430	5		RESISTOR 21.5 1% .125W F TC=0+-100	03888	PME55-1/8-TO-21R5-F
A6A7R14	0698-7198	8		RESISTOR 21.5 1% .05W F TC=0+-100	24546	C3-1/8-TO-21R5-F
A6A7R15	0698-3430	5		RESISTOR 21.5 1% .125W F TC=0+-100	03888	PME55-1/8-TO-21R5-F
A6A7R16	0757-0180	2		RESISTOR 31.6 1% .125W F TC=0+-100	28480	0757-0180
A6A7R17	0698-7227	8		RESISTOR 422 1% .05W F TC=0+-100	24546	C3-1/8-TO-422R-F
A6A7R18	0698-7216	3		RESISTOR 147 1% .05W F TC=0+-100	24546	C3-1/8-TO-147R-F
A6A7R19	0698-3430	5		RESISTOR 21.5 1% .125W F TC=0+-100	03888	PME55-1/8-TO-21R5-F
A6A7R20	0698-3430	5		RESISTOR 21.5 1% .125W F TC=0+-100	03888	PME55-1/8-TO-21R5-F
A6A7R21	0698-7224	3		RESISTOR 316 1% .05W F TC=0+-100	24546	C3-1/8-TO-316R-F
A6A7R22	0698-7194	8		RESISTOR 17.8 1% .05W F TC=0+-100	24546	C3-1/8-TO-17R8-F
A6A7R23	0698-7224	3		RESISTOR 316 1% .05W F TC=0+-100	24546	C3-1/8-TO-316R-F
A6A7U1	1826-0372	2		IC, LIMITER	28480	1826-0372
A6A7U2	1826-0372	2		IC, LIMITER	28480	1826-0372
A6A7U3	1826-0372	2		IC, LIMITER	28480	1826-0372
A6A7W1	08682-20047	9	1	CABLE, SEMI-RIGID (INCLUDES J2)	28480	08682-20047

†Refer to Section 7 for update information.

*Factory Selected Component (Refer to Section 5).

Table 6-3. Replaceable Parts

Reference Designation	HP Part Number	C D	Qty.	Description	Mfr. Code	Mfr. Part Number
A6A8						
A6A8	08662-60107	6	1	RF MIXER, OS LOOP ASSEMBLY	28480	08662-60107
2234A to 2823A						
A6A8C1	0160-3879	7		CAPACITOR-FXD .01UF +-20% 100VDC CER	28480	0160-3879
A6A8C2	0160-3879	7		CAPACITOR-FXD .01UF +-20% 100VDC CER	28480	0160-3879
2837A and above						
A6A8C1	0160-6216	2		CAPACITOR-FXD 1000PF +-5% 50VDC CER	28480	0160-6216
A6A8C2	0160-6216	2		CAPACITOR-FXD 1000PF +-5% 50VDC CER	28480	0160-6216
A6A8C3	0180-2618	2		CAPACITOR-FXD 33UF+-10% 10VDC TA	25088	D33GS1B10K
A6A8C4	0180-2619	3		CAPACITOR-FXD 22UF+-10% 15VDC TA	25088	D22GS1B15K
A6A8C5	0160-3878	6		CAPACITOR-FXD 1000PF +-20% 100VDC CER	28480	0160-3878
A6A8C6	0160-3878	6		CAPACITOR-FXD 1000PF +-20% 100VDC CER	28480	0160-3878
A6A8C7	0160-3878	6		CAPACITOR-FXD 1000PF +-20% 100VDC CER	28480	0160-3878
A6A8C8	0160-3878	6		CAPACITOR-FXD 1000PF +-20% 100VDC CER	28480	0160-3878
A6A8C9	0160-3878	6		CAPACITOR-FXD 1000PF +-20% 100VDC CER	28480	0160-3878
A6A8C10	0160-3878	6		CAPACITOR-FXD 1000PF +-20% 100VDC CER	28480	0160-3878
A6A8C11	0160-3878	6		CAPACITOR-FXD 1000PF +-20% 100VDC CER	28480	0160-3878
A6A8C12	0160-3878	6		CAPACITOR-FXD 1000PF +-20% 100VDC CER	28480	0160-3878
A6A8C13	0160-3878	6		CAPACITOR-FXD 1000PF +-20% 100VDC CER	28480	0160-3878
A6A8C14	0160-3878	6		CAPACITOR-FXD 1000PF +-20% 100VDC CER	28480	0160-3878
A6A8C15	0160-3878	6		CAPACITOR-FXD 1000PF +-20% 100VDC CER	28480	0160-3878
A6A8C16	0160-3878	6		CAPACITOR-FXD 1000PF +-20% 100VDC CER	28480	0160-3878
A6A8C17	0160-3878	6		CAPACITOR-FXD 1000PF +-20% 100VDC CER	28480	0160-3878
A6A8C18	0160-3877	5		CAPACITOR-FXD 100PF +-20% 200VDC CER	28480	0160-3877
A6A8C19	0160-3878	6		CAPACITOR-FXD 1000PF +-20% 100VDC CER	28480	0160-3878
A6A8C20	0160-3878	6		CAPACITOR-FXD 1000PF +-20% 100VDC CER	28480	0160-3878
A6A8C21	0160-3875	3		CAPACITOR-FXD 22PF +-5% 200VDC CER 0+-30	28480	0160-3875
A6A8C22	0180-4547	8		CAPACITOR-FXD 150PF +-5% 200VDC CER	28480	0180-4547
A6A8C23	0160-3874	2		CAPACITOR-FXD 10PF +-5PF 200VDC CER	28480	0160-3874
A6A8C24	0160-4518	3		CAPACITOR-FXD 3.9PF +-5PF 200VDC CER	28480	0160-4518
A6A8C25	0160-4518	3		CAPACITOR-FXD 3.9PF +-5PF 200VDC CER	28480	0160-4518
2234A to 2716A						
A6A8C26				NOT ASSIGNED		
2748A to 2823A						
A6A8C26	0160-5971	4		CAPACITOR-FXD 4.7PF +-5PF 50VDC CER	28480	0160-5971
2837A and above						
A6A8C26	0160-5974	4		CAPACITOR-FXD 8.2PF +-5% 50VDC CER	28480	0160-5974
2234A to 2823A						
A6A8C27				NOT ASSIGNED		
2837A and above						
A6A8C27	0160-5974	4		CAPACITOR-FXD 8.2PF +-5% 50VDC CER	28480	0160-5974
A6A8J1	1250-1220	0		CONNECTOR-RF SMC M PC 50-OHM	28480	1250-1220
	2190-0124	4		WASHER-LK INTL T NO. 10 .195-IN-ID	28480	2190-0124
	2950-0078	9		NUT-HEX-DBL-CHAM 10-32-THD .067-IN-THK	28480	2950-0078
	2190-0124	4		WASHER-LK INTL T NO. 10 .195-IN-ID	28480	2190-0124
	2950-0078	9		NUT-HEX-DBL-CHAM 10-32-THD .067-IN-THK	28480	2950-0078
A6A8L1	9100-3922	4		COIL 3.0UH	28480	9100-3922
A6A8L2	9100-3922	4		COIL 3.0UH	28480	9100-3922
A6A8L3	9140-0210	1		INDUCTOR RF-CH-MLD 100UH 5% .166DX.385LG	28480	9140-0210
A6A8L4	9140-0210	1		INDUCTOR RF-CH-MLD 100UH 5% .166DX.385LG	28480	9140-0210
A6A8L5	9135-0073	3		INDUCTOR, 051 UH	28480	9135-0073
A6A8L6	9100-2255	4		INDUCTOR RF-CH-MLD 470NH 10% .105DX.26LG	28480	9100-2255
A6A8L7	9100-2255	4		INDUCTOR RF-CH-MLD 470NH 10% .105DX.26LG	28480	9100-2255
A6A8L8	9100-2247	4		INDUCTOR RF-CH-MLD 100NH 10% .105DX.26LG	28480	9100-2247
A6A8MP1	08662-00012	6	1	COVER- 1/3 END	28480	08662-00012
	2360-0113	2		SCREW-MACH 6-32 .25-IN-LG PAN-HD-POZI	00000	ORDER BY DESCRIPTION
A6A8MP2	5001-0176	0		GROUND STRAP	28480	5001-0176
A6A8MP3	5001-0176	0		GROUND STRAP	28480	5001-0176
A6A8MP4				NOT ASSIGNED		
A6A8MP5	7120-8042	9	1	LABEL-IDENTIFICATION	28480	7120-8042

†Refer to Section 7 for update information.

*Factory Selected Component (Refer to Section 5).

Table 6-3. Replaceable Parts

Reference Designation	HP Part Number	C D	Qty.	Description	Mfr. Code	Mfr. Part Number
A6A8Q1	1854-0720	3		TRANSISTOR NPN Si PD=500MW FT=4GHZ	28480	1854-0720
A6A8R1	0698-7224	3		RESISTOR 316 1% .05W F TC=0+-100	24546	C3-1/8-TO-316R-F
A6A8R2	0698-7194	8		RESISTOR 17.8 1% .05W F TC=0+-100	24546	C3-1/8-TO-17R8-F
A6A8R3	0698-7224	3		RESISTOR 316 1% .05W F TC=0+-100	24546	C3-1/8-TO-316R-F
A6A8R4	0757-0180	2		RESISTOR 31.6 1% .125W F TC=0+-100	28480	0757-0180
A6A8R5	0698-7194	6		RESISTOR 17.8 1% .05W F TC=0+-100	24546	C3-1/8-TO-17R8-F
A6A8R6	0698-7229	8		RESISTOR 511 1% .05W F TC=0+-100	24546	C3-1/8-TO-511R-F
A6A8R7	0698-7224	3		RESISTOR 316 1% .05W F TC=0+-100	24546	C3-1/8-TO-316R-F
A6A8R8	0698-7216	3		RESISTOR 147 1% .05W F TC=0+-100	24546	C3-1/8-TO-147R-F
A6A8R9	0698-3430	5		RESISTOR 21.5 1% .125W F TC=0+-100	03888	PME55-1/8-TO-21R5-F
A6A8R10	0698-7196	8		RESISTOR 21.5 1% .05W F TC=0+-100	24546	C3-1/8-TO-21R5-F
A6A8R11	0698-3430	5		RESISTOR 21.5 1% .125W F TC=0+-100	03888	PME55-1/8-TO-21R5-F
A6A8R12	0757-0180	2		RESISTOR 31.6 1% .125W F TC=0+-100	28480	0757-0180
A6A8R13	0698-7227	6		RESISTOR 422 1% .05W F TC=0+-100	24546	C3-1/8-TO-422R-F
A6A8R14	0698-7216	3		RESISTOR 147 1% .05W F TC=0+-100	24546	C3-1/8-TO-147R-F
A6A8R15	0698-3430	5		RESISTOR 21.5 1% .125W F TC=0+-100	03888	PME55-1/8-TO-21R5-F
A6A8R16	0698-7224	3		RESISTOR 316 1% .05W F TC=0+-100	24546	C3-1/8-TO-316R-F
A6A8R17	0698-3430	5		RESISTOR 21.5 1% .125W F TC=0+-100	03888	PME55-1/8-TO-21R5-F
A6A8R18	0698-7216	3		RESISTOR 147 1% .05W F TC=0+-100	24546	C3-1/8-TO-147R-F
A6A8R19	0698-7232	3		RESISTOR 681 1% .05W F TC=0+-100	24546	C3-1/8-TO-681R-F
A6A8R20	0698-7196	8		RESISTOR 21.5 1% .05W F TC=0+-100	24546	C3-1/8-TO-21R5-F
A6A8R21	0757-0394	0		RESISTOR 51.1 1% .125W F TC=0+-100	24546	C4-1/8-TO-51R1-F
A6A8R22	0698-7196	8		RESISTOR 21.5 1% .05W F TC=0+-100	24546	C3-1/8-TO-21R5-F
A6A8R23	0698-7196	8		RESISTOR 21.5 1% .05W F TC=0+-100	24546	C3-1/8-TO-21R5-F
A6ABU1	1826-0372	2		IC, LIMITER	28480	1826-0372
A6ABU2	1826-0372	2		IC, LIMITER	28480	1826-0372
A6ABU3	0955-0098	9		MIXER, DOUBLE-BALANCE	28480	0955-0098
A6A8W1	08662-20048	0		CABLE, SEMI-RIGID (INCLUDES J2)	28480	08662-20048

†Refer to Section 7 for update information.

*Factory Selected Component (Refer to Section 5).

Table 6-3. Replaceable Parts

Reference Designation	HP Part Number	C D	Qty.	Description	Mfr. Code	Mfr. Part Number
A6A9						
2234A TO 2549A A6A9 †	08662-60101	0	1	HF LOOP & REF. SECTION CONTROLLER ASSY	28480	08662-60101
2352A AND ABOVE A6A9	08662-60326	1	1	HF LOOP & REF. SECTION CONTROLLER ASSY	28480	08662-60326
2234 TO 2549A						
A6A9C1	0160-3879	7		CAPACITOR-FXD .01UF +-20% 100VDC CER	28480	0160-3879
A6A9C2	0160-3879	7		CAPACITOR-FXD .01UF +-20% 100VDC CER	28480	0160-3879
A6A9C3	0160-3879	7		CAPACITOR-FXD .01UF +-20% 100VDC CER	28480	0160-3879
A6A9C4	0160-3879	7		CAPACITOR-FXD .01UF +-20% 100VDC CER	28480	0160-3879
A6A9C5	0160-3879	7		CAPACITOR-FXD .01UF +-20% 100VDC CER	28480	0160-3879
A6A9C6	0160-3879	7		CAPACITOR-FXD .01UF +-20% 100VDC CER	28480	0160-3879
A6A9C7	0160-3879	7		CAPACITOR-FXD .01UF +-20% 100VDC CER	28480	0160-3879
A6A9C8	0160-3879	7		CAPACITOR-FXD .01UF +-20% 100VDC CER	28480	0160-3879
A6A9C9	0160-3879	7		CAPACITOR-FXD .01UF +-20% 100VDC CER	28480	0160-3879
2352A AND ABOVE						
A6A9C1	0160-4832	4		CAPACITOR-FXD .01UF +-10% 100VDC CER	28480	0160-4832
A6A9C2	0160-4832	4		CAPACITOR-FXD .01UF +-10% 100VDC CER	28480	0160-4832
A6A9C3	0160-4832	4		CAPACITOR-FXD .01UF +-10% 100VDC CER	28480	0160-4832
A6A9C4	0160-4832	4		CAPACITOR-FXD .01UF +-10% 100VDC CER	28480	0160-4832
A6A9C5	0160-4832	4		CAPACITOR-FXD .01UF +-10% 100VDC CER	28480	0160-4832
A6A9C6	0160-4832	4		CAPACITOR-FXD .01UF +-10% 100VDC CER	28480	0160-4832
A6A9C7	0160-4832	4		CAPACITOR-FXD .01UF +-10% 100VDC CER	28480	0160-4832
A6A9C8	0160-4832	4		CAPACITOR-FXD .01UF +-10% 100VDC CER	28480	0160-4832
A6A9C9	0160-4832	4		CAPACITOR-FXD .01UF +-10% 100VDC CER	28480	0160-4832
A6A9C10	0180-2208	8		CAPACITOR-FXD 220UF+-10% 10VDC TA	56289	150D227X9010S2
A6A9C11	0180-2215	5	1	CAPACITOR-FXD 170UF+75-10% 15VDC AL	56289	30D177G015DD2
A6A9C12	0180-0141	2		CAPACITOR-FXD 50UF+75-10% 50VDC AL	56289	30D506G050DD2
A6A9CR1	1901-0050	3		DIODE-SWITCHING 80V 200MA 2NS DO-35	28480	1901-0050
A6A9CR2	1901-0050	3		DIODE-SWITCHING 80V 200MA 2NS DO-35	28480	1901-0050
A6A9CR3	1901-0050	3		DIODE-SWITCHING 80V 200MA 2NS DO-35	28480	1901-0050
A6A9CR4	1901-0050	3		DIODE-SWITCHING 80V 200MA 2NS DO-35	28480	1901-0050
A6A9CR5	1901-0050	3		DIODE-SWITCHING 80V 200MA 2NS DO-35	28480	1901-0050
A6A9CR6	1901-0050	3		DIODE-SWITCHING 80V 200MA 2NS DO-35	28480	1901-0050
A6A9CR7	1901-0050	3		DIODE-SWITCHING 80V 200MA 2NS DO-35	28480	1901-0050
A6A9CR8	1901-0050	3		DIODE-SWITCHING 80V 200MA 2NS DO-35	28480	1901-0050
A6A9CR9	1901-0050	3		DIODE-SWITCHING 80V 200MA 2NS DO-35	28480	1901-0050
A6A9CR10	1901-0050	3		DIODE-SWITCHING 80V 200MA 2NS DO-35	28480	1901-0050
A6A9CR11	1901-0050	3		DIODE-SWITCHING 80V 200MA 2NS DO-35	28480	1901-0050
A6A9CR12	1901-0050	3		DIODE-SWITCHING 80V 200MA 2NS DO-35	28480	1901-0050
A6A9J1	1200-0508	0		SOCKET-IC 14-CONT DIP-SLDR	28480	1200-0508
A6A9J2	1200-0508	0		SOCKET-IC 14-CONT DIP-SLDR	28480	1200-0508
A6A9L1	9100-1788	6		CORE-FERRITE CHOKE-WIDEBAND; IMP:>680	28480	9100-1788
A6A9L2	08662-60316	9		TOROID, FILTER 630 UH	28480	08662-60316
A6A9L3	08662-60316	9		TOROID, FILTER 630 UH	28480	08662-60316
A6A9L4	9100-3922	4		COIL, 3.0 UH	28480	9100-3922
A6A9L5	9100-3922	4		COIL, 3.0 UH	28480	9100-3922
A6A9MP1	08662-00080	8	1	COVER, FULL OSC. TANG	28480	08662-00080
	2360-0113	2		SCREW-MACH 6-32 .25-IN-LG PAN-HD-POZI	00000	ORDER BY DESCRIPTION

† Refer to Section 7 for update information.

* Factory Selected Component (Refer to Section 5.)

Table 6-3. Replaceable Parts

Reference Designation	HP Part Number	C D	Qty.	Description	Mfr. Code	Mfr. Part Number	
AGA9Q1-20				NOT ASSIGNED			
A6A9Q21	1853-0012	4	1	TRANSISTOR PNP 2N2904A SI TO-39 PD=600MW	01295	2N2904A	
A6A9Q22	1854-0263	9		TRANSISTOR NPN 2N3019 SI TO-39 PD=800MW	04713	2N3019	
A6A9Q23	1854-0071	7		TRANSISTOR NPN SI PD=300MW FT=200MHZ	28480	1854-0071	
A6A9Q24	1854-0071	7		TRANSISTOR NPN SI PD=300MW FT=200MHZ	28480	1854-0071	
A6A9Q25	1854-0071	7		TRANSISTOR NPN SI PD=300MW FT=200MHZ	28480	1854-0071	
A6A9R1	0698-7212	9	1	RESISTOR 100 1% .05W F TC=0+-100	24546	C3-1/8-T0-100R-F	
A6A9R2	0698-7212	9		RESISTOR 100 1% .05W F TC=0+-100	24546	C3-1/8-T0-100R-F	
A6A9R3	0698-7212	9		RESISTOR 100 1% .05W F TC=0+-100	24546	C3-1/8-T0-100R-F	
A6A9R4	0698-7212	9		RESISTOR 100 1% .05W F TC=0+-100	24546	C3-1/8-T0-100R-F	
A6A9R5	0698-7212	9		RESISTOR 100 1% .05W F TC=0+-100	24546	C3-1/8-T0-100R-F	
A6A9R6	0698-7212	9		RESISTOR 100 1% .05W F TC=0+-100	24546	C3-1/8-T0-100R-F	
A6A9R7	0698-7212	9		RESISTOR 100 1% .05W F TC=0+-100	24546	C3-1/8-T0-100R-F	
A6A9R8	0698-7219	6		RESISTOR 196 1% .05W F TC=0+-100	24546	C3-1/8-T0-196R-F	
A6A9R9	0698-7219	6		RESISTOR 196 1% .05W F TC=0+-100	24546	C3-1/8-T0-196R-F	
A6A9R10	0757-0279	0		RESISTOR 3.16K 1% .125W F TC=0+-100	24546	C4-1/8-T0-3161-F	
A6A9R11	0698-0084	8		RESISTOR 2.15K 1% .125W F TC=0+-100	24546	C4-1/8-T0-2151-F	
A6A9R12	0698-3160	8		RESISTOR 31.6K 1% .125W F TC=0+-100	24546	C4-1/8-T0-3162-F	
A6A9R13	0698-3439	4		RESISTOR 178 1% .125W F TC=0+-100	24546	C4-1/8-T0-178R-F	
A6A9R14	0757-0279	0		RESISTOR 3.16K 1% .125W F TC=0+-100	24546	C4-1/8-T0-3161-F	
A6A9R15	0698-3160	8		RESISTOR 31.6K 1% .125W F TC=0+-100	24546	C4-1/8-T0-3162-F	
A6A9R16	2100-1986	9	RESISTOR-TRMR 1K 10% C TOP-ADJ 1-TRN	73138	82PR1K		
A6A9R17	0757-0442	9	RESISTOR 10K 1% .125W F TC=0+-100	24546	C4-1/8-T0-1002-F		
A6A9R18	0698-0084	9	RESISTOR 2.15K 1% .125W F TC=0+-100	24546	C4-1/8-T0-2151-F		
A6A9R19	0698-3160	8	RESISTOR 31.6K 1% .125W F TC=0+-100	24546	C4-1/8-T0-3162-F		
A6A9R20	0757-0438	3	RESISTOR 5.11K 1% .125W F TC=0+-100	24546	C4-1/8-T0-5111-F		
A6A9R21	0757-0400	9	1	RESISTOR 90.9 1% .125W F TC=0+-100	24546	C4-1/8-T0-90R9-F	
A6A9R22	0757-0401	0		RESISTOR 100 1% .125W F TC=0+-100	24546	C4-1/8-T0-101-F	
A6A9R23	0757-0279	0		RESISTOR 3.16K 1% .125W F TC=0+-100	24546	C4-1/8-T0-3161-F	
A6A9R24	0757-0438	3		RESISTOR 5.11K 1% .125W F TC=0+-100	24546	C4-1/8-T0-5111-F	
A6A9R25	0764-0016	8		RESISTOR 1K 5% 2W MO TC=0+-200	28480	0764-0016	
A6A9R26	0698-0084	8	1	RESISTOR 2.15K 1% .125W F TC=0+-100	24546	C4-1/8-T0-2151-F	
A6A9R27	0698-3160	8		RESISTOR 31.6K 1% .125W F TC=0+-100	24546	C4-1/8-T0-3162-F	
A6A9R28	0757-0400	9		RESISTOR 90.9 1% .125W F TC=0+-100	24546	C4-1/8-T0-90R9-F	
A6A9R29	0757-0279	0		RESISTOR 3.16K 1% .125W F TC=0+-100	24546	C4-1/8-T0-3161-F	
A6A9R30	0757-0280	3		RESISTOR 1K 1% .125W F TC=0+-100	24546	C4-1/8-T0-1001-F	
A6A9R31	0698-3160	8		RESISTOR 31.6K 1% .125W F TC=0+-100	24546	C4-1/8-T0-3162-F	
A6A9R32	0698-4037	8		RESISTOR 46.4 1% .125W F TC=0+-100	24546	C4-1/8-T0-46R4-F	
A6A9R33	0757-0279	0		RESISTOR 3.16K 1% .125W F TC=0+-100	24546	C4-1/8-T0-3161-F	
A6A9R34	0757-0420	3		RESISTOR 750 1% .125W F TC=0+-100	24546	C4-1/8-T0-751-F	
A6A9R35	0698-3160	8		RESISTOR 31.6K 1% .125W F TC=0+-100	24546	C4-1/8-T0-3162-F	
A6A9R36	0698-3391	7		2	RESISTOR 21.5 1% .5W F TC=0+-100	28480	0698-3391
A6A9R37	0757-0279	0			RESISTOR 3.16K 1% .125W F TC=0+-100	24546	C4-1/8-T0-3161-F
A6A9R38	0698-0084	9			RESISTOR 2.15K 1% .125W F TC=0+-100	24546	C4-1/8-T0-2151-F
A6A9R39	0698-3160	8			RESISTOR 31.6K 1% .125W F TC=0+-100	24546	C4-1/8-T0-3162-F
A6A9R40	0698-3439	4			RESISTOR 178 1% .125W F TC=0+-100	24546	C4-1/8-T0-178R-F
A6A9R41	0757-0279	0	1	RESISTOR 3.16K 1% .125W F TC=0+-100	24546	C4-1/8-T0-3161-F	
A6A9R42	0698-0084	9		RESISTOR 2.15K 1% .125W F TC=0+-100	24546	C4-1/8-T0-2151-F	
A6A9R43	0698-3160	8		RESISTOR 31.6K 1% .125W F TC=0+-100	24546	C4-1/8-T0-3162-F	
A6A9R44	0757-0400	9		RESISTOR 90.9 1% .125W F TC=0+-100	24546	C4-1/8-T0-90R9-F	
A6A9R45	0757-0279	0		RESISTOR 3.16K 1% .125W F TC=0+-100	24546	C4-1/8-T0-3161-F	

† Refer to Section 7 for update information.

* Factory Selected Component (Refer to Section 5.)

Table 6-3. Replaceable Parts

Reference Designation	HP Part Number	C D	Qty.	Description	Mfr. Code	Mfr. Part Number
A6A9R46	0698-0084	9		RESISTOR 2.15K 1% .125W F TC=0+-100	24546	C4-1/8-T0-2151-F
A6A9R47	0698-3160	8		RESISTOR 31.6K 1% .125W F TC=0+-100	24546	C4-1/8-T0-3162-F
A6A9R48	0757-0400	9		RESISTOR 90.9 1% .125W F TC=0+-100	24546	C4-1/8-T0-90R9-F
A6A9R49	0757-0279	0		RESISTOR 3.16K 1% .125W F TC=0+-100	24546	C4-1/8-T0-3161-F
A6A9R50	0757-0280	3		RESISTOR 1K 1% .125W F TC=0+-100	24546	C4-1/8-T0-1001-F
A6A9R51	0698-3160	8		RESISTOR 31.6K 1% .125W F TC=0+-100	24546	C4-1/8-T0-3162-F
A6A9R52	0698-4037	0		RESISTOR 46.4 1% .125W F TC=0+-100	24546	C4-1/8-T0-46R4-F
A6A9R53	0757-0279	0		RESISTOR 3.16K 1% .125W F TC=0+-100	24546	C4-1/8-T0-3161-F
A6A9R54	0757-0420	3		RESISTOR 750 1% .125W F TC=0+-100	24546	C4-1/8-T0-751-F
A6A9R55	0698-3160	8		RESISTOR 31.6K 1% .125W F TC=0+-100	24546	C4-1/8-T0-3162-F
A6A9R56	0698-0084	9		RESISTOR 2.15K 1% .125W F TC=0+-100	24546	C4-1/8-T0-2151-F
A6A9R57	0698-0084	9		RESISTOR 2.15K 1% .125W F TC=0+-100	24546	C4-1/8-T0-2151-F
A6A9R58	0698-0084	9		RESISTOR 2.15K 1% .125W F TC=0+-100	24546	C4-1/8-T0-2151-F
A6A9R59	0698-3391	7		RESISTOR 21.5 1% .5W F TC=0+-100	28480	0698-3391
A6A9TP1	1251-0600	0		CONNECTOR-SGL CONT PIN 1.14-MM-BSC-SZ SQ	28480	1251-0600
A6A9TP2	1251-0600	0		CONNECTOR-SGL CONT PIN 1.14-MM-BSC-SZ SQ	28480	1251-0600
<i>2234A to 2748A</i>						
A6A9U1	08662-80005	5	1	PROM, PROGRAMMED	28480	08662-80005
A6A9U2	08662-80006	6	1	PROM, PROGRAMMED	28480	08662-80006
A6A9U3	08662-80007	7	1	PROM, PROGRAMMED	28480	08662-80007
<i>2823A and above</i>						
A6A9U1	08662-80085	1	1	PROM, PROGRAMMED	28480	08662-80085
A6A9U2	08662-80086	2	1	PROM, PROGRAMMED	28480	08662-80086
A6A9U3	08662-80087	3	1	PROM, PROGRAMMED	28480	08662-80087
A6A9VR1	1902-3171	7		DIODE-ZNR 11V 5% DO-35 PD=.4W TC=+.062%	28480	1902-3171
A6A9VR2	1902-3171	7		DIODE-ZNR 11V 5% DO-35 PD=.4W TC=+.062%	28480	1902-3171
A6A9VR3	1902-3171	7		DIODE-ZNR 11V 5% DO-35 PD=.4W TC=+.062%	28480	1902-3171

†Refer to Section 7 for update information.

*Factory Selected Component (Refer to Section 5).

Table 6-3. Replaceable Parts

Reference Designation	HP Part Number	C D	Qty.	Description	Mfr. Code	Mfr. Part Number
A6A10						
A6A10	08862-60110	1	1	HF LOOP & REF. SECTION MOTHER BOARD	28480	08862-60110
A6A10E1	1251-0800	0		CONNECTOR-SGL CONT PIN 1.14-MM-BSC-SZ SO	28480	1251-0800
A6A10E2	1251-0800	0		CONNECTOR-SGL CONT PIN 1.14-MM-BSC-SZ SO	28480	1251-0800
A6A10E3	1251-0800	0		CONNECTOR-SGL CONT PIN 1.14-MM-BSC-SZ SO	28480	1251-0800
A6A10E4	1251-0800	0		CONNECTOR-SGL CONT PIN 1.14-MM-BSC-SZ SO	28480	1251-0800
A6A10E5	1251-0800	0		CONNECTOR-SGL CONT PIN 1.14-MM-BSC-SZ SO	28480	1251-0800
A6A10J1	1200-0507	9		SOCKET-IC 16-CONT DIP-SLDR	28480	1200-0507
A6A10J2	1250-0835	1		CONNECTOR-RF SMC M PC 50-OHM	28480	1250-0835
A6A10J3	1250-0835	1		CONNECTOR-RF SMC M PC 50-OHM	28480	1250-0835
A6A10J4	1250-0835	1		CONNECTOR-RF SMC M PC 50-OHM	28480	1250-0835
A6A10L1	9140-0335	1		INDUCTOR, 110 UH	28480	9140-0335
A6A10MP1	08862-00161	6	1	CLAMP-CABLE	28480	08862-00161
	2190-0004	9	1	WASHER-LK INTL T NO. 4 .115-IN-ID	28480	2190-0004
A6A10XA6A1	1251-1633	1		CONNECTOR-PC EDGE 15-CONT/ROW 1-ROW	28480	1251-1633
A6A10XA6A2	1251-1633	1		CONNECTOR-PC EDGE 15-CONT/ROW 1-ROW	28480	1251-1633
A6A10XA6A3	1251-1633	1		CONNECTOR-PC EDGE 15-CONT/ROW 1-ROW	28480	1251-1633
A6A10XA6A4	1251-1634	2	3	CONNECTOR-PC EDGE 16-CONT/ROW 1-ROW	28480	1251-1634
A6A10XA6A5	1251-1634	2		CONNECTOR-PC EDGE 18-CONT/ROW 1-ROW	28480	1251-1634
A6A10XA6A6	1251-1631	9		CONNECTOR-PC EDGE 10-CONT/ROW 1-ROW	28480	1251-1631
A6A10XA6A7	1251-1631	9		CONNECTOR-PC EDGE 10-CONT/ROW 1-ROW	28480	1251-1631
A6A10XA6A8	1251-1631	9		CONNECTOR-PC EDGE 10-CONT/ROW 1-ROW	28480	1251-1631
A6A10XA6A9	1251-2035	9		CONNECTOR-PC EDGE 15-CONT/ROW 2-ROWS	28480	1251-2035

† Refer to Section 7 for update information.

* Factory Selected Component (Refer to Section 5.)

6-159/
(6-160 blank)

Table 6-3. Replaceable Parts

Reference Designation	HP Part Number	C D	Qty.	Description	Mfr. Code	Mfr. Part Number
A7A1						
<i>2234A TO 2644A</i>						
A7A1	08662-60157	6	1	LINEAR REGULATOR ASSEMBLY	28480	08662-60157
<i>2651A AND ABOVE</i>						
A7A1	08662-60347	6	1	LINEAR REGULATOR ASSEMBLY	28480	08662-60347
A7A1C1	0180-2834	4	2	CAPACITOR-FXD 82UF+-10% 75VDC TA	56289	109D826X9075F2
A7A1C2	0180-2834	4		CAPACITOR-FXD 82UF+-10% 75VDC TA	56289	109D826X9075F2
A7A1C3	0180-0230	0	3	CAPACITOR-FXD 1UF+-20% 50VDC TA	56289	150D105X0050A2
A7A1C4	0160-0572	1		CAPACITOR-FXD 2200PF +-20% 100VDC CER	28480	0160-0572
A7A1C5	0160-2056	9		CAPACITOR-FXD .01UF +80-20% 100VDC CER	28480	0160-2056
A7A1C6	0160-2055	9		CAPACITOR-FXD .01UF +80-20% 100VDC CER	28480	0160-2055
A7A1C7	0160-0230	0		CAPACITOR-FXD 1UF+-20% 50VDC TA	56289	150D105X0050A2
A7A1C8	0180-0230	0		CAPACITOR-FXD 1UF+-20% 50VDC TA	56289	150D105X0050A2
A7A1C9	0180-0228	6	4	CAPACITOR-FXD 22UF+-10% 15VDC TA	56289	150D226X9015B2
A7A1C10	0160-3445	3	3	CAPACITOR-FXD .047UF +-20% 200VDC PPR	28480	0160-3445
A7A1C11	0180-0049	9	1	CAPACITOR-FXD 20UF+-75-10% 50VDC AL	56289	30D206G050CC2
A7A1C12	0160-3445	3		CAPACITOR-FXD .047UF +-20% 200VDC PPR	28480	0160-3445
A7A1C13	0160-3094	8	1	CAPACITOR-FXD .1UF +-10% 100VDC CER	28480	0160-3094
A7A1C14	0180-1704	5	1	CAPACITOR-FXD 47UF+-10% 8VDC TA	56289	150D476X9008B2
A7A1C15	0160-3445	3		CAPACITOR-FXD .047UF +-20% 200VDC PPR	28480	0160-3445
A7A1C16	0180-0116	1		CAPACITOR-FXD 6.8UF+-10% 35VDC TA	56289	150D685X9035B2
A7A1C17	0180-0116	1		CAPACITOR-FXD 6.8UF+-10% 35VDC TA	56289	150D685X9035B2
A7A1C18	0180-0228	6		CAPACITOR-FXD 22UF+-10% 15VDC TA	56289	150D226X9015B2
A7A1C19	0180-0597	2	1	CAPACITOR-FXD 22UF+-10% 50VDC TA	56289	M89003/01-2381
A7A1CR1	1901-0050	3		DIODE-SWITCHING 80V 200MA 2NS DO-35	28480	1901-0050
A7A1CR2	1901-0050	3		DIODE-SWITCHING 80V 200MA 2NS DO-35	28480	1901-0050
A7A1CR3	1901-1065	2	11	DIODE-PWR RECT 1N4936 400V 1A 200NS	14936	1N4936
A7A1CR4	1901-1065	2		DIODE-PWR RECT 1N4936 400V 1A 200NS	14936	1N4936
A7A1CR5	1901-1065	2		DIODE-PWR RECT 1N4936 400V 1A 200NS	14936	1N4936
A7A1DS1	1990-0327	4	1	LED-LAMP LUM-INT=800UCD IF=50MA-MAX	28480	5082-4415
A7A1DS2	1990-0523	2	4	LED-LAMP LUM-INT=1MCD IF=50MA-MAX BVR=5V	28480	5082-4950
A7A1DS3	1990-0523	2		LED-LAMP LUM-INT=1MCD IF=50MA-MAX BVR=5V	28480	5082-4950
A7A1DS4	1990-0523	2		LED-LAMP LUM-INT=1MCD IF=50MA-MAX BVR=5V	28480	5082-4950
A7A1MP1	0340-0875	9		INSULATOR-XSTR THRM-CNDCT	28480	0340-0875
A7A1MP2	08662-00006	8	1	HEAT SINK, POWER SUPPLY	28480	08662-00006
	2190-0007	2	2	WASHER-LK INTL T NO. 6 .141-IN-ID	28480	2190-0007
	2360-0119	8	1	SCREW-MACH 6-32 .438-IN-LG PAN-HD-POZI	00000	ORDER BY DESCRIPTION
	2420-0003	7	3	NUT-HEX-DBL-CHAM 6-32-THD .094-IN-THK	28480	2420-0003
A7A1MP3	4040-0749	4	2	EXTR-PC BD BRN POLYC .062-BD-THKNS	28480	4040-0749
	1480-0073	6	6	PIN-ROLL .062-IN-DIA .25-IN-LG BE-CU	28480	1480-0073
A7A1MP4	4040-0749	4		EXTR-PC BD BRN POLYC .062-BD-THKNS	28480	4040-0749
	1480-0073	6		PIN-ROLL .062-IN-DIA .25-IN-LG BE-CU	28480	1480-0073
A7A1MP5	08662-00017	1	2	SHIELD, PC BOARD	28480	08662-00017
	2200-0105	4		SCREW-MACH 4-40 .312-IN-LG PAN-HD-POZI (CONNECTS PC BOARD TO SHIELD)	00000	ORDER BY DESCRIPTION
A7A1Q1	1854-0846	4	3	TRANSISTOR NPN PD=150W FT=4MHZ	28480	1854-0846
	0340-0875	9	5	INSULATOR-XSTR THRM-CNDCT	28480	0340-0875
	3050-0023	7		WASHER-FL NM NO. 6 .144-IN-ID .25-IN-OD	28480	3050-0023
A7A1Q2	1854-0846	4		TRANSISTOR NPN PD=150W FT=4MHZ	28480	1854-0846
	0340-0875	9		INSULATOR-XSTR THRM-CNDCT	28480	0340-0875
	3050-0023	7		WASHER-FL NM NO. 6 .144-IN-ID .25-IN-OD	28480	3050-0023

†Refer to Section 7 for update information.

*Factory Selected Component (Refer to Section 5).

Table 6-3. Replaceable Parts

Reference Designation	HP Part Number	C D	Qty.	Description	Mfr. Code	Mfr. Part Number
A7A1Q3	1854-0846	4		TRANSISTOR NPN PD=150W FT=4MHZ	28480	1854-0846
	0340-0875	9		INSULATOR-XSTR THRM-CNOCT	28480	0340-0875
	3050-0023	7		WASHER-FL NM NO. 6 .144-IN-ID .25-IN-OD	28480	3050-0023
2234A TO 2644A						
A7A1Q4	1884-0217	6	3	THYRISTOR-TRIAC	04713	MAC-10-2
2651A AND ABOVE						
A7A1Q4	1884-0330	4	3	THYRISTOR-TRIAC	04713	MAC-10-2
A7A1Q5	1853-0012	4		TRANSISTOR PNP 2N2904A SI TO-39 PD=800MW	01295	2N2904A
	1200-0173	5	12	INSULATOR-XSTR DAP-GL	28480	1200-0173
2234A TO 2644A						
A7A1Q6	1884-0217	6		THYRISTOR-TRIAC	04713	MAC-10-2
2651A AND ABOVE						
A7A1Q6	1884-0330	4		THYRISTOR-TRIAC	04713	MAC-10-2
A7A1Q7	1853-0012	4		TRANSISTOR PNP 2N2904A SI TO-39 PD=800MW	01295	2N2904A
	1200-0173	5		INSULATOR-XSTR DAP-GL	28480	1200-0173
2234A TO 2644A						
A7A1Q8	1884-0217	6		THYRISTOR-TRIAC	04713	MAC-10-2
2651A AND ABOVE						
A7A1Q8	1884-0330	4		THYRISTOR-TRIAC	04713	MAC-10-2
A7A1Q9	1853-0012	4		TRANSISTOR PNP 2N2904A SI TO-39 PD=800MW	01295	2N2904A
	1200-0173	5		INSULATOR-XSTR DAP-GL	28480	1200-0173
A7A1Q10	1853-0007	7		TRANSISTOR PNP 2N3251 SI TO-18 PD=380MW	04713	2N3251
A7A1Q11	1853-0007	7		TRANSISTOR PNP 2N3251 SI TO-18 PD=380MW	04713	2N3251
A7A1Q12	1853-0020	4	6	TRANSISTOR PNP SI PD=300MW FT=150MHZ	28480	1853-0020
A7A1Q13	1853-0020	4		TRANSISTOR PNP SI PD=300MW FT=150MHZ	28480	1853-0020
A7A1Q14	1884-0201	8	3	THYRISTOR-SCR TO-92 VRRM=60	04713	2N5061
A7A1Q15	1853-0020	4		TRANSISTOR PNP SI PD=300MW FT=150MHZ	28480	1853-0020
A7A1Q16	1854-0071	7		TRANSISTOR NPN SI PD=300MW FT=200MHZ	28480	1854-0071
A7A1R1	0698-3440	7		RESISTOR 196 1% .125W F TC=0+-100	24546	C4-1/8-T0-196R-F
A7A1R2	0698-3440	7		RESISTOR 196 1% .125W F TC=0+-100	24546	C4-1/8-T0-196R-F
A7A1R3	0757-0280	3		RESISTOR 1K 1% .125W F TC=0+-100	24546	C4-1/8-T0-1001-F
A7A1R4	0757-0280	3		RESISTOR 1K 1% .125W F TC=0+-100	24546	C4-1/8-T0-1001-F
A7A1R5	0757-0289	2		RESISTOR 13.3K 1% .125W F TC=0+-100	19701	MF4C1/8-T0-1332-F
A7A1R6	0698-3136	8		RESISTOR 17.8K 1% .125W F TC=0+-100	24546	C4-1/8-T0-1782-F
A7A1R7	0757-0289	2		RESISTOR 13.3K 1% .125W F TC=0+-100	19701	MF4C1/8-T0-1332-F
A7A1R8	0757-0289	2		RESISTOR 13.3K 1% .125W F TC=0+-100	19701	MF4C1/8-T0-1332-F
A7A1R9	0698-3440	7		RESISTOR 196 1% .125W F TC=0+-100	24546	C4-1/8-T0-196R-F
A7A1R10	0757-0278	9		RESISTOR 1.78K 1% .125W F TC=0+-100	24546	C4-1/8-T0-1781-F
A7A1R11	0698-3150	6		RESISTOR 2.37K 1% .125W F TC=0+-100	24546	C4-1/8-T0-2371-F
A7A1R12	0757-0440	7		RESISTOR 7.5K 1% .125W F TC=0+-100	24546	C4-1/8-T0-7501-F
A7A1R13	0698-3451	0	1	RESISTOR 193K 1% .125W F TC=0+-100	24546	C4-1/8-T0-1933-F
A7A1R14	0698-3150	6		RESISTOR 2.37K 1% .125W F TC=0+-100	24546	C4-1/8-T0-2371-F
A7A1R15	0698-3150	6		RESISTOR 2.37K 1% .125W F TC=0+-100	24546	C4-1/8-T0-2371-F
A7A1R16	0698-3440	7		RESISTOR 196 1% .125W F TC=0+-100	24546	C4-1/8-T0-196R-F
A7A1R17	0698-0084	9		RESISTOR 2.15K 1% .125W F TC=0+-100	24546	C4-1/8-T0-2151-F
A7A1R18	2100-3109	2		RESISTOR-TRMR 2K 10% C SIDE-ADJ 17-TRN	02111	43P202
A7A1R19	0698-3154	0		RESISTOR 4.22K 1% .125W F TC=0+-100	24546	C4-1/8-T0-4221-F
A7A1R20	2100-3056	8	2	RESISTOR-TRMR 5K 10% C SIDE-ADJ 17-TRN	02111	43P502
A7A1R21	0698-3136	8		RESISTOR 17.8K 1% .125W F TC=0+-100	24546	C4-1/8-T0-1782-F
A7A1R22	0757-0401	0		RESISTOR 100 1% .125W F TC=0+-100	24546	C4-1/8-T0-101-F
A7A1R23	0698-4037	0		RESISTOR 46.4 1% .125W F TC=0+-100	24546	C4-1/8-T0-46R4-F
A7A1R24	0761-0058	2	1	RESISTOR 750 5% 1W MO TC=0+-200	28480	0761-0058
A7A1R25	0757-0276	7	2	RESISTOR 81.9 1% .125W F TC=0+-100	24546	C4-1/8-T0-6192-F
A7A1R26	0757-0276	7		RESISTOR 81.9 1% .125W F TC=0+-100	24546	C4-1/8-T0-6192-F
A7A1R27	0811-1340	4	2	RESISTOR 1 5% 5W PW TC=0+-50	28480	0811-1340
A7A1R28	0811-1340	4		RESISTOR 1 5% 5W PW TC=0+-50	28480	0811-1340
A7A1R29	0757-0397	3	3	RESISTOR 68.1 1% .125W F TC=0+-100	24546	C4-1/8-T0-68R1-F
A7A1R30	0757-0397	3		RESISTOR 68.1 1% .125W F TC=0+-100	24546	C4-1/8-T0-68R1-F
A7A1R31	0757-0418	9	3	RESISTOR 619 1% .125W F TC=0+-100	24546	C4-1/8-T0-619R-F

†Refer to Section 7 for update information.

*Factory Selected Component (Refer to Section 5).

Table 6-3. Replaceable Parts

Reference Designation	HP Part Number	C D	Qty.	Description	Mfr. Code	Mfr. Part Number
A7A1R32	0698-0082	7		RESISTOR 464 1% .125W F TC=0+-100	24546	C4-1/8-T0-4640-F
A7A1R33	0757-0280	3		RESISTOR 1K 1% .125W F TC=0+-100	24546	C4-1/8-T0-1001-F
A7A1R34	0757-0290	5		RESISTOR 6.19K 1% .125W F TC=0+-100	19701	MF4C1/8-T0-6191-F
A7A1R35	0757-0199	3		RESISTOR 21.5K 1% .125W F TC=0+-100	24546	C4-1/8-T0-2152-F
A7A1R36	0811-1659	8	1	RESISTOR .27 5% 2W PW TC=0+-800	75042	BWH2-27/100-J
A7A1R37	0811-1667	8	1	RESISTOR 1.2 5% 2W PW TC=0+-400	75042	BWH2-1R2-J
A7A1R38	0698-3157	3		RESISTOR 19.8K 1% .125W F TC=0+-100	24546	C4-1/8-T0-1982-F
A7A1R39	2100-3123	0		RESISTOR-TRMR 500 10% G SIDE-ADJ 17-TRN	02111	43P501
A7A1R40	0757-0428	1		RESISTOR 1.62K 1% .125W F TC=0+-100	24546	C4-1/8-T0-1621-F
A7A1R41	0757-0421	4		RESISTOR 925 1% .125W F TC=0+-100	24546	C4-1/8-T0-925R-F
A7A1R42	0698-3412	3	1	RESISTOR 3.83K 1% .5W F TC=0+-100	28480	0698-3412
A7A1R43	0757-0278	5		RESISTOR 1.78K 1% .125W F TC=0+-100	24546	C4-1/8-T0-1781-F
A7A1R44	0757-0401	0		RESISTOR 100 1% .125W F TC=0+-100	24546	C4-1/8-T0-101-F
A7A1R45	0757-0397	3		RESISTOR 68.1 1% .125W F TC=0+-100	24546	C4-1/8-T0-68R1-F
A7A1R46	0698-3440	7		RESISTOR 198 1% .125W F TC=0+-100	24546	C4-1/8-T0-198R-F
A7A1TP1	1251-0800	0		CONNECTOR-SGL CONT PIN 1.14-MM-BSC-SZ SQ	28480	1251-0800
A7A1TP2	1251-0800	0		CONNECTOR-SGL CONT PIN 1.14-MM-BSC-SZ SQ	28480	1251-0800
A7A1TP3	1251-0600	0		CONNECTOR-SGL CONT PIN 1.14-MM-BSC-SZ SQ	28480	1251-0600
A7A1TP4	1251-0600	0		CONNECTOR-SGL CONT PIN 1.14-MM-BSC-SZ SQ	28480	1251-0600
A7A1TP5	1251-0800	0		CONNECTOR-SGL CONT PIN 1.14-MM-BSC-SZ SQ	28480	1251-0800
A7A1TP6	1251-0800	0		CONNECTOR-SGL CONT PIN 1.14-MM-BSC-SZ SQ	28480	1251-0800
2234A TO 2416A A7A1U1	1826-0473	4	1	IC, LINEAR REGULATOR	28480	1826-0473
2419A AND ABOVE A7A1U1	1826-0016	1	2	IC 204 V RGLTR TO-100	04713	MLM204G
	1205-0011	0	3	HEAT SINK TO-5/TO-39-CS	28480	1205-0011
A7A1U2	1826-0016	1		IC 204 V RGLTR TO-100	04713	MLM204G
A7A1U3	1820-0247	8	1	IC V RGLTR TO-99	27014	LM305H
A7A1VR1	1902-3234	3	1	DIODE-ZNR 18.6V 5% DO-35 PD=.4W	28480	1902-3234
A7A1VR2	1902-3361	7	1	DIODE-ZNR 57.6V 2% DO-7 PD=.4W TC=+.062%	28480	1902-3361
A7A1VR3	1902-3323	1	1	DIODE-ZNR 42.2V 5% DO-35 PD=.4W TC=+.08%	28480	1902-3323
A7A1VR4	1902-3256	9	1	DIODE-ZNR 23.7V 5% DO-35 PD=.4W	28480	1902-3256
A7A1VR5	1902-3171	7		DIODE-ZNR 11V 5% DO-35 PD=.4W TC=+.062%	28480	1902-3171
A7A1VR6	1902-3333	3	1	DIODE-ZNR 46.4V 5% DO-35 PD=.4W	28480	1902-3333

† Refer to Section 7 for update information.

* Factory Selected Component (Refer to Section 5.)

6-163/
(6-164 blank)

Table 6-3. Replaceable Parts

Reference Designation	HP Part Number	C D	Qty.	Description	Mfr. Code	Mfr. Part Number
A7A2						
A7A2	08662-60158	7	1	CONTROL BOARD ASSEMBLY	28480	08662-60158
A7A2C1	0180-2617	1		CAPACITOR-FXD 6.8UF+-10% 35VDC TA	25088	D8R8GS1B35K
A7A2C2	0180-0197	8		CAPACITOR-FXD 2.2UF+-10% 20VDC TA	56289	150D225X9020A2
A7A2C3	0180-2779	6	4	CAPACITOR-FXD 470UF+75-10% 50VDC AL	56289	30D477G050FK2
A7A2C4	0180-2779	6		CAPACITOR-FXD 470UF+75-10% 50VDC AL	56289	30D477G050FK2
A7A2C5	0160-2453	1	1	CAPACITOR-FXD .22UF +-10% 80VDC POLYE	28480	0160-2453
A7A2C6	0180-2617	1		CAPACITOR-FXD 6.8UF+-10% 35VDC TA	25088	D8R8GS1B35K
A7A2C7	0180-1743	2	1	CAPACITOR-FXD .1UF+-10% 35VDC TA	56289	150D104X9035A2
A7A2C8	0180-0229	7		CAPACITOR-FXD 33UF+-10% 10VDC TA	56289	150D336X9010B2
A7A2C9	0180-2779	6		CAPACITOR-FXD 470UF+75-10% 50VDC AL	56289	30D477G050FK2
A7A2C10	0180-2779	6		CAPACITOR-FXD 470UF+75-10% 50VDC AL	56289	30D477G050FK2
A7A2C11	0180-2820	6		CAPACITOR-FXD 2.2UF+-10% 50VDC TA	25088	D2R2GS1B50K
A7A2C12	0160-0127	2	4	CAPACITOR-FXD 1UF +-20% 25VDC CER	28480	0160-0127
A7A2C13	0160-3468	0	1	CAPACITOR-FXD .12UF +-10% 80VDC POLYE	28480	0160-3468
A7A2C14	0160-0158	8		CAPACITOR-FXD 5800PF +-10% 200VDC POLYE	28480	0160-0158
A7A2C15	0160-3537	4		CAPACITOR-FXD 680PF +-5% 100VDC MICA	28480	0160-3537
A7A2C16	0140-0184	1	1	CAPACITOR-FXD 110PF +-5% 300VDC MICA	72136	DM15F111J0300WV1CR
A7A2C17	0160-2306	3	1	CAPACITOR-FXD 27PF +-5% 300VDC MICA	28480	0160-2306
A7A2C18	0180-1819	3	1	CAPACITOR-FXD 100UF+75-10% 50VDC AL	56289	30D107G050DH2
A7A2C19	0180-0153	4	1	CAPACITOR-FXD 1600PF +-10% 200VDC POLYE	28480	0180-0153
A7A2C20	0180-0197	8		CAPACITOR-FXD 2.2UF+-10% 20VDC TA	56289	150D225X9020A2
A7A2C21	0180-2201	7	1	CAPACITOR-FXD 51PF +-5% 300VDC MICA	28480	0160-2201
A7A2C22	0180-0161	4		CAPACITOR-FXD .01UF +-10% 200VDC POLYE	28480	0160-0161
A7A2C23	0160-0945	2	1	CAPACITOR-FXD 910PF +-5% 100VDC MICA	28480	0160-0945
A7A2C24	0180-0197	8		CAPACITOR-FXD 2.2UF+-10% 20VDC TA	56289	150D225X9020A2
A7A2C25	0180-0197	8		CAPACITOR-FXD 2.2UF+-10% 20VDC TA	56289	150D225X9020A2
A7A2C26	0180-0197	8		CAPACITOR-FXD 2.2UF+-10% 20VDC TA	56289	150D225X9020A2
A7A2C27	0160-3879	7		CAPACITOR-FXD .01UF +-20% 100VDC CER	28480	0160-3879
A7A2C28	0180-1746	5	6	CAPACITOR-FXD 15UF+-10% 20VDC TA	56289	150D156X9020B2
A7A2C29	0180-1746	5		CAPACITOR-FXD 15UF+-10% 20VDC TA	56289	150D156X9020B2
A7A2C30	0180-1746	5		CAPACITOR-FXD 15UF+-10% 20VDC TA	56289	150D156X9020B2
A7A2C31	0180-1746	5		CAPACITOR-FXD 15UF+-10% 20VDC TA	56289	150D156X9020B2
A7A2C32	0140-0197	4	2	CAPACITOR-FXD 180PF +-5% 300VDC MICA	72136	DM15F181J0300WV1CR
A7A2C33	0140-0197	4		CAPACITOR-FXD 180PF +-5% 300VDC MICA	72136	DM15F181J0300WV1CR
A7A2C34	0180-2055	8		CAPACITOR-FXD .01UF +80-20% 100VDC CER	28480	0160-2055
A7A2C35	0180-2055	8		CAPACITOR-FXD .01UF +80-20% 100VDC CER	28480	0160-2055
A7A2CR1	1901-0200	5	4	DIODE-PWR RECT 100V 1.5A	28480	1901-0200
A7A2CR2	1901-0200	5		DIODE-PWR RECT 100V 1.5A	28480	1901-0200
A7A2CR3	1901-0200	5		DIODE-PWR RECT 100V 1.5A	28480	1901-0200
A7A2CR4	1901-0200	5		DIODE-PWR RECT 100V 1.5A	28480	1901-0200
A7A2CR5	1901-0050	3		DIODE-SWITCHING 80V 200MA 2NS DO-35	28480	1901-0050
A7A2CR6	1901-0050	3		DIODE-SWITCHING 80V 200MA 2NS DO-35	28480	1901-0050
A7A2CR7	1901-0050	3		DIODE-SWITCHING 80V 200MA 2NS DO-35	28480	1901-0050
A7A2CR8	1901-0050	3		DIODE-SWITCHING 80V 200MA 2NS DO-35	28480	1901-0050
A7A2CR9	1901-0050	3		DIODE-SWITCHING 80V 200MA 2NS DO-35	28480	1901-0050
A7A2CR10	1901-0050	3		DIODE-SWITCHING 80V 200MA 2NS DO-35	28480	1901-0050

† Refer to Section 7 for update information.

* Factory Selected Component (Refer to Section 5.)

Table 6-3. Replaceable Parts

Reference Designation	HP Part Number	C D	Qty.	Description	Mfr. Code	Mfr. Part Number
A7A2CR11	1901-0050	3		DIODE-SWITCHING 80V 200MA 2NS DO-35	28480	1901-0050
A7A2CR12	1901-0050	3		DIODE-SWITCHING 80V 200MA 2NS DO-35	28480	1901-0050
A7A2CR13	1901-0050	3		DIODE-SWITCHING 80V 200MA 2NS DO-35	28480	1901-0050
A7A2CR14	1901-0050	3		DIODE-SWITCHING 80V 200MA 2NS DO-35	28480	1901-0050
A7A2CR15	1901-0050	3		DIODE-SWITCHING 80V 200MA 2NS DO-35	28480	1901-0050
A7A2CR16	1901-0050	3		DIODE-SWITCHING 80V 200MA 2NS DO-35	28480	1901-0050
A7A2CR17	1901-0050	3		DIODE-SWITCHING 80V 200MA 2NS DO-35	28480	1901-0050
A7A2CR18	1901-0050	3		DIODE-SWITCHING 80V 200MA 2NS DO-35	28480	1901-0050
A7A2CR19	1901-0050	3		DIODE-SWITCHING 80V 200MA 2NS DO-35	28480	1901-0050
A7A2DS1	1980-0523	2		LED-LAMP LUM-INT=1MCD IF=50MA-MAX BVR=5V	28480	5092-4850
A7A2L1	9100-1630	7		INDUCTOR RF-CH-MLD 51UH 5% .166DX.385LG	28480	9100-1630
A7A2L2	9100-1630	7		INDUCTOR RF-CH-MLD 51UH 5% .166DX.385LG	28480	9100-1630
A7A2L3	9140-0114	4	3	INDUCTOR RF-CH-MLD 10UH 10% .166DX.385LG	28480	9140-0114
A7A2L4	9140-0210	1		INDUCTOR RF-CH-MLD 100UH 5% .166DX.385LG	28480	9140-0210
A7A2MP1	4040-0750	7	2	EXTR-PC BD RED POLYC .082-BD-THKNS	28480	4040-0750
	1480-0073	6		PIN-ROLL .082-IN-DIA .25-IN-LG BE-CU	28480	1480-0073
A7A2MP2	4040-0750	7		EXTR-PC BD RED POLYC .082-BD-THKNS	28480	4040-0750
	1480-0073	6		PIN-ROLL .082-IN-DIA .25-IN-LG BE-CU	28480	1480-0073
A7A2MP3	1205-0312	4	1	HEAT SINK SGL TO-3-C8	28480	1205-0312
	2190-0006	4	2	WASHER-LK HLGL NO. 5 .141-IN-ID	28480	2190-0006
	2380-0199	1	1	SCREW-MACH 6-32 .438-IN-LG PAN-HD-POZI	00000	ORDER BY DESCRIPTION
	2420-0003	7		NUT-HEX-DBL-CHAM 6-32-THD .094-IN-THK	28480	2420-0003
A7A2Q1	1853-0053	3	1	TRANSISTOR PNP SI TO-3 PD=150W FT=3MHZ	28480	1853-0053
2234A TO 2352A A7A2Q2	1854-0475	5		TRANSISTOR-DUAL NPN PD=750MW	28480	1854-0475
2601A AND ABOVE A7A2Q2	1854-1046	9		TRANSISTOR-DUAL NPN TO-78 PD=750MW	28480	1854-1046
A7A2Q3	1853-0442	4	3	TRANSISTOR PNP 2N3867 SI TO-5 PD=1W	04713	2N3867
	1200-0173	5		INSULATOR-XSTR DAP-GL	28480	1200-0173
A7A2Q4	1853-0007	7		TRANSISTOR PNP 2N3251 SI TO-18 PD=360MW	04713	2N3251
A7A2Q5	1854-0210	6		TRANSISTOR NPN 2N2222 SI TO-18 PD=500MW	04713	2N2222
A7A2Q6	1854-0210	6		TRANSISTOR NPN 2N2222 SI TO-18 PD=500MW	04713	2N2222
A7A2Q7	1854-0210	6		TRANSISTOR NPN 2N2222 SI TO-18 PD=500MW	04713	2N2222
A7A2Q8	1853-0007	7		TRANSISTOR PNP 2N3251 SI TO-18 PD=360MW	04713	2N3251
A7A2Q9	1884-0201	8		THYRISTOR-SCR TO-92 VRRM=60	04713	2N5061
A7A2Q10	1853-0012	4		TRANSISTOR PNP 2N2904A SI TO-39 PD=600MW	01285	2N2904A
	1200-0173	5		INSULATOR-XSTR DAP-GL	28480	1200-0173
A7A2Q11	1854-0210	6		TRANSISTOR NPN 2N2222 SI TO-18 PD=500MW	04713	2N2222
A7A2Q12	1853-0012	4		TRANSISTOR PNP 2N2904A SI TO-39 PD=600MW	01285	2N2904A
	1200-0173	5		INSULATOR-XSTR DAP-GL	28480	1200-0173
A7A2Q13	1854-0210	6		TRANSISTOR NPN 2N2222 SI TO-18 PD=500MW	04713	2N2222
A7A2Q14	1854-0404	0		TRANSISTOR NPN SI TO-18 PD=360MW	28480	1854-0404
A7A2Q15	1853-0007	7		TRANSISTOR PNP 2N3251 SI TO-18 PD=360MW	04713	2N3251
A7A2Q16	1854-0210	6		TRANSISTOR NPN 2N2222 SI TO-18 PD=500MW	04713	2N2222
A7A2Q17	1853-0007	7		TRANSISTOR PNP 2N3251 SI TO-18 PD=360MW	04713	2N3251
A7A2Q18	1854-0210	6		TRANSISTOR NPN 2N2222 SI TO-18 PD=500MW	04713	2N2222
A7A2Q19	1884-0201	8		THYRISTOR-SCR TO-92 VRRM=60	04713	2N5061
A7A2R1	0698-3153	9		RESISTOR 3.83K 1% .125W F TC=0+-100	24546	C4-1/8-T0-3831-F
A7A2R2	0757-0280	3		RESISTOR 1K 1% .125W F TC=0+-100	24546	C4-1/8-T0-1001-F
A7A2R3	0757-0280	3		RESISTOR 1K 1% .125W F TC=0+-100	24546	C4-1/8-T0-1001-F
A7A2R4	0757-0443	0	3	RESISTOR 11K 1% .125W F TC=0+-100	24546	C4-1/8-T0-1102-F
A7A2R5	0698-0092	7		RESISTOR 484 1% .125W F TC=0+-100	24546	C4-1/8-T0-4840-F
A7A2R6	0698-3161	9	1	RESISTOR 38.3K 1% .125W F TC=0+-100	24546	C4-1/8-T0-3832-F

† Refer to Section 7 for update information.

* Factory Selected Component (Refer to Section 5.)

Table 6-3. Replaceable Parts

Reference Designation	HP Part Number	C D	Qty.	Description	Mfr. Code	Mfr. Part Number
A7A2R7	0698-3441	8		RESISTOR 215 1% .125W F TC=0+-100	24546	C4-1/8-T0-215R-F
A7A2R8	0698-0082	7		RESISTOR 464 1% .125W F TC=0+-100	24546	C4-1/8-T0-464-F
A7A2R9	0698-3454	3	2	RESISTOR 215K 1% .125W F TC=0+-100	24546	C4-1/8-T0-215K-F
A7A2R10	0757-0274	5		RESISTOR 1.21K 1% .125W F TC=0+-100	24546	C4-1/8-T0-1211-F
A7A2R11	0698-3153	9		RESISTOR 3.83K 1% .125W F TC=0+-100	24546	C4-1/8-T0-3831-F
A7A2R12	0757-0442	9		RESISTOR 10K 1% .125W F TC=0+-100	24546	C4-1/8-T0-1002-F
A7A2R13	0757-0438	3		RESISTOR 5.11K 1% .125W F TC=0+-100	24546	C4-1/8-T0-5111-F
A7A2R14	0757-0420	3		RESISTOR 750 1% .125W F TC=0+-100	24546	C4-1/8-T0-751-F
A7A2R15	2100-3154	7		RESISTOR-TRMR 1K 10% C SIDE-ADJ 17-TRN	02111	43P102
A7A2R16	0757-0200	7		RESISTOR 5.62K 1% .125W F TC=0+-100	24546	C4-1/8-T0-5621-F
A7A2R17	0698-3449	6	1	RESISTOR 28.7K 1% .125W F TC=0+-100	24546	C4-1/8-T0-2872-F
A7A2R18	0757-0280	3		RESISTOR 1K 1% .125W F TC=0+-100	24546	C4-1/8-T0-1001-F
A7A2R19	0757-0279	0		RESISTOR 3.16K 1% .125W F TC=0+-100	24546	C4-1/8-T0-3161-F
A7A2R20	0757-0280	3		RESISTOR 1K 1% .125W F TC=0+-100	24546	C4-1/8-T0-1001-F
A7A2R21	0698-3457	6	1	RESISTOR 316K 1% .125W F TC=0+-100	28480	0698-3457
A7A2R22	0757-0438	3		RESISTOR 5.11K 1% .125W F TC=0+-100	24546	C4-1/8-T0-5111-F
A7A2R23	0757-0317	7		RESISTOR 1.33K 1% .125W F TC=0+-100	24546	C4-1/8-T0-1331-F
A7A2R24	0757-0279	0		RESISTOR 3.16K 1% .125W F TC=0+-100	24546	C4-1/8-T0-3161-F
A7A2R25	0757-0439	4	2	RESISTOR 6.81K 1% .125W F TC=0+-100	24546	C4-1/8-T0-6811-F
A7A2R26	0698-3159	5	1	RESISTOR 26.1K 1% .125W F TC=0+-100	24546	C4-1/8-T0-2612-F
A7A2R27	0757-0440	7		RESISTOR 7.5K 1% .125W F TC=0+-100	24546	C4-1/8-T0-7501-F
A7A2R28	0757-0280	3		RESISTOR 1K 1% .125W F TC=0+-100	24546	C4-1/8-T0-1001-F
A7A2R29	0698-0090	7	2	RESISTOR 464 1% .5W F TC=0+-100	28480	0698-0090
A7A2R30	0757-0466	6		RESISTOR 100K 1% .125W F TC=0+-100	24546	C4-1/8-T0-100K-F
A7A2R31	0757-0422	5		RESISTOR 909 1% .125W F TC=0+-100	24546	C4-1/8-T0-909R-F
A7A2R32	0757-0438	3		RESISTOR 5.11K 1% .125W F TC=0+-100	24546	C4-1/8-T0-5111-F
A7A2R33	0757-0419	0		RESISTOR 681 1% .125W F TC=0+-100	24546	C4-1/8-T0-681R-F
A7A2R34	0698-3445	2		RESISTOR 348 1% .125W F TC=0+-100	24546	C4-1/8-T0-348R-F
A7A2R35	0757-0280	3		RESISTOR 1K 1% .125W F TC=0+-100	24546	C4-1/8-T0-1001-F
A7A2R36	0757-0280	3		RESISTOR 1K 1% .125W F TC=0+-100	24546	C4-1/8-T0-1001-F
A7A2R37	0757-0199	3		RESISTOR 21.5K 1% .125W F TC=0+-100	24546	C4-1/8-T0-2152-F
A7A2R38	0757-0439	4		RESISTOR 6.81K 1% .125W F TC=0+-100	24546	C4-1/8-T0-6811-F
A7A2R39	0757-0442	9		RESISTOR 10K 1% .125W F TC=0+-100	24546	C4-1/8-T0-1002-F
A7A2R40	0698-3446	3		RESISTOR 383 1% .125W F TC=0+-100	24546	C4-1/8-T0-383R-F
A7A2R41	0757-0420	3		RESISTOR 750 1% .125W F TC=0+-100	24546	C4-1/8-T0-751-F
A7A2R42	0757-0440	7		RESISTOR 7.5K 1% .125W F TC=0+-100	24546	C4-1/8-T0-7501-F
A7A2R43	0757-0419	0		RESISTOR 681 1% .125W F TC=0+-100	24546	C4-1/8-T0-681R-F
A7A2R44	0698-0085	0		RESISTOR 2.61K 1% .125W F TC=0+-100	24546	C4-1/8-T0-2611-F
A7A2R45	0698-3156	2		RESISTOR 14.7K 1% .125W F TC=0+-100	24546	C4-1/8-T0-1472-F
A7A2R46	0698-3156	2		RESISTOR 14.7K 1% .125W F TC=0+-100	24546	C4-1/8-T0-1472-F
A7A2R47	0698-3151	7		RESISTOR 2.87K 1% .125W F TC=0+-100	24546	C4-1/8-T0-2871-F
A7A2R48	0757-0280	3		RESISTOR 1K 1% .125W F TC=0+-100	24546	C4-1/8-T0-1001-F
A7A2R49	0757-0280	3		RESISTOR 1K 1% .125W F TC=0+-100	24546	C4-1/8-T0-1001-F
A7A2R50	0757-0442	9		RESISTOR 10K 1% .125W F TC=0+-100	24546	C4-1/8-T0-1002-F
A7A2R51	0757-0438	3		RESISTOR 5.11K 1% .125W F TC=0+-100	24546	C4-1/8-T0-5111-F
A7A2R52	0698-3442	9		RESISTOR 237 1% .125W F TC=0+-100	24546	C4-1/8-T0-237R-F
A7A2R53	0698-3441	8		RESISTOR 215 1% .125W F TC=0+-100	24546	C4-1/8-T0-215R-F
A7A2R54	0698-3442	9		RESISTOR 237 1% .125W F TC=0+-100	24546	C4-1/8-T0-237R-F
A7A2R55	0698-3441	8		RESISTOR 215 1% .125W F TC=0+-100	24546	C4-1/8-T0-215R-F
A7A2R56	0698-0083	6		RESISTOR 1.96K 1% .125W F TC=0+-100	24546	C4-1/8-T0-1961-F
A7A2R57	0698-0083	6		RESISTOR 1.96K 1% .125W F TC=0+-100	24546	C4-1/8-T0-1961-F

†Refer to Section 7 for update information.

*Factory Selected Component (Refer to Section 5).

Table 6-3. Replaceable Parts

Reference Designation	HP Part Number	C D	Qty.	Description	Mfr. Code	Mfr. Part Number
A7A2TP1	1251-0600	0		CONNECTOR-SGL CONT PIN 1.14-MM-BSC-SZ SQ	28480	1251-0600
A7A2TP2	1251-0600	0		CONNECTOR-SGL CONT PIN 1.14-MM-BSC-SZ SQ	28480	1251-0600
A7A2TP3	1251-0600	0		CONNECTOR-SGL CONT PIN 1.14-MM-BSC-SZ SQ	28480	1251-0600
A7A2TP4	1251-0600	0		CONNECTOR-SGL CONT PIN 1.14-MM-BSC-SZ SQ	28480	1251-0600
A7A2TP5	1251-0600	0		CONNECTOR-SGL CONT PIN 1.14-MM-BSC-SZ SQ	28480	1251-0600
A7A2TP6	1251-0600	0		CONNECTOR-SGL CONT PIN 1.14-MM-BSC-SZ SQ	28480	1251-0600
A7A2TP7	1251-0600	0		CONNECTOR-SGL CONT PIN 1.14-MM-BSC-SZ SQ	28480	1251-0600
A7A2TP8	1251-0600	0		CONNECTOR-SGL CONT PIN 1.14-MM-BSC-SZ SQ	28480	1251-0600
A7A2TP9	1251-0600	0		CONNECTOR-SGL CONT PIN 1.14-MM-BSC-SZ SQ	28480	1251-0600
A7A2TP10	1251-0600	0		CONNECTOR-SGL CONT PIN 1.14-MM-BSC-SZ SQ	28480	1251-0600
A7A2TP11	1251-0600	0		CONNECTOR-SGL CONT PIN 1.14-MM-BSC-SZ SQ	28480	1251-0600
A7A2U1	1820-1746	4	1	IC BFR CMOS INV HEX	04713	MC14049UBCP
A7A2U2	1828-0180	0	1	IC TIMER TTL MONO/ASTBL	01295	NE555P
A7A2U3	1828-0192	4	1	IC V RGLTR TO-39	27014	LM320H-15
	1205-0011	0		HEAT SINK TO-5/T0-39-CS	28480	1205-0011
	1200-0173	5		INSULATOR-XSTR DAF-GL	28480	1200-0173
A7A2U4	1820-1863	7	2	IC FF CMOS D-TYPE POS-EDGE-TRIG DUAL	3L585	CD4013BAE
A7A2U5	1820-1865	9	1	IC GATE CMOS NOR TPL 3-IMP	04713	MC14025BCP
A7A2U6	1820-1863	7		IC FF CMOS D-TYPE POS-EDGE-TRIG DUAL	3L585	CD4013BAE
A7A2U7	1820-1745	3	1	IC GATE CMOS NOR QUAD 2-IMP	04713	MC14001BCP
A7A2U8	1828-0013	8		IC OP AMP LOW-NOISE TO-99 PKG	06665	SSS741CJ
A7A2U9	1826-0488	1	4	IC OP AMP WB TO-99 PKG	27014	LM218H
A7A2U10	1826-0488	1		IC OP AMP WB TO-99 PKG	27014	LM218H
A7A2VR1	1902-0025	4	2	DIODE-ZNR 10V 5% DO-35 PD=.4W TC=+.06%	28480	1902-0025
A7A2VR2	1902-0880	7	1	DIODE-ZNR 1N827 6.2V 5% DO-7 PD=.4W	24046	1N827
A7A2VR3	1902-3104	6	1	DIODE-ZNR 5.62V 5% DO-35 PD=.4W	28480	1902-3104
A7A2VR4	1902-0064	1	2	DIODE-ZNR 7.5V 5% DO-35 PD=.4W TC=+.05%	28480	1902-0064
A7A2VR5	1902-3139	7	2	DIODE-ZNR 8.25V 5% DO-35 PD=.4W	28480	1902-3139
A7A2VR6	1902-0064	1		DIODE-ZNR 7.5V 5% DO-35 PD=.4W TC=+.05%	28480	1902-0064
A7A2VR7	1902-0579	3	1	DIODE-ZNR 5.1V 5% PD=.1W IR=10UA	28480	1902-0579
A7A2VR8	1902-3149	9	2	DIODE-ZNR 9.09V 5% DO-35 PD=.4W	28480	1902-3149
A7A2VR9	1902-3149	9		DIODE-ZNR 9.09V 5% DO-35 PD=.4W	28480	1902-3149

†Refer to Section 7 for update information.

*Factory Selected Component (Refer to Section 5).

Table 6-3. Replaceable Parts

Reference Designation	HP Part Number	C	D	Qty.	Description	Mfr. Code	Mfr. Part Number
A7A3							
A7A3	08662-60289	5		1	INVERTER ASSEMBLY	28480	08662-60289
2234A TO 3003A							
A7A3C1					NO LONGER AVAILABLE		
A7A3C2					NO LONGER AVAILABLE		
3017A and above							
A7A3C1	0180-4233	1			CAPACITOR-FXD 22UF + 50-10% 250VDC AL	28480	0180-4233
A7A3C2	0180-4233	1			CAPACITOR-FXD 22UF + 50-10% 250VDC AL	28480	0180-4233
A7A3C3	0180-0116	1			CAPACITOR-FXD 6.8UF + -10% 35VDC TA	56289	150D685X9035B2
A7A3C4	0180-0116	1			CAPACITOR-FXD 6.8UF + -10% 35VDC TA	56289	150D685X9035B2
A7A3C5	0160-4217	9		1	CAPACITOR-FXD 3900PF + -1% 500VDC MICA	28480	0160-4217
A7A3C6	0160-0297	7		1	CAPACITOR-FXD 1200PF + -10% 200VDC POLYE	28480	0160-0297
A7A3C8	0180-2751	4		1	CAPACITOR-FXD 470UF + 100-10% 12VDC AL	00853	301EM471U012B
A7A3C9	0180-4614	2		1	CAPACITOR-FXD 68UF + 100-10% 60VDC AL	56289	672D686H060DM5C
A7A3C10	0180-2749	0		1	CAPACITOR-FXD 270UF + 100-10% 25VDC AL	00853	301EM271U025B
A7A3C11	0180-4613	1		1	CAPACITOR-FXD 27UF + 100-10% 100VDC AL	56289	672D276H100DM5C
A7A3C12	0160-0168	1		3	CAPACITOR-FXD .1UF + -10% 200VDC POLYE	28480	0160-0168
A7A3C13	0160-0168	1			CAPACITOR-FXD .1UF + -10% 200VDC POLYE	28480	0160-0168
A7A3CR1	1901-1065	2			DIODE-PWR RECT 1N4936 400V 1A 200NS	14936	1N4936
A7A3CR2	1901-1065	2			DIODE-PWR RECT 1N4936 400V 1A 200NS	14936	1N4936
A7A3CR3	1901-1065	2			DIODE-PWR RECT 1N4936 400V 1A 200NS	14936	1N4936
A7A3CR4	1901-1065	2			DIODE-PWR RECT 1N4936 400V 1A 200NS	14936	1N4936
A7A3CR5	1901-1065	2			DIODE-PWR RECT 1N4936 400V 1A 200NS	14936	1N4936
A7A3CR6	1901-0792	0		2	DIODE-SCHOTTKY 45V 30A	28480	1901-0792
	2740-0003	5		2	NUT-HEX-W/LKWR 10-32-THD .125-IN-THK	00000	ORDER BY DESCRIPTION
A7A3CR7	1901-0792	0			DIODE-SCHOTTKY 45V 30A	28480	1901-0792
	2740-0003	5			NUT-HEX-W/LKWR 10-32-THD .125-IN-THK	00000	ORDER BY DESCRIPTION
A7A3CR8	1901-0685	0		4	DIODE-PWR RECT 250V 5A 200NS	04713	MR822
A7A3CR9	1901-0685	0			DIODE-PWR RECT 250V 5A 200NS	04713	MR822
A7A3CR10	1901-0685	0			DIODE-PWR RECT 250V 5A 200NS	04713	MR822
A7A3CR11	1901-0685	0			DIODE-PWR RECT 250V 5A 200NS	04713	MR822
A7A3CR12	1901-1065	2			DIODE-PWR RECT 1N4936 400V 1A 200NS	14936	1N4936
A7A3CR13	1901-1065	2			DIODE-PWR RECT 1N4936 400V 1A 200NS	14936	1N4936
A7A3CR14	1901-1065	2			DIODE-PWR RECT 1N4936 400V 1A 200NS	14936	1N4936
A7A3F1	2110-0630	9		1	FUSE .4A 125V NTD .25X.27	28480	2110-0630
A7A3F2	9100-4033	0		2	FUSE .4A 125V NTD .25X.27	28480	9100-4033
A7A3L1	9100-4033	0		2	COIL, CHOKE 100 UH	28480	9100-4033
A7A3L2	9100-4033	0			COIL, CHOKE 100 UH	28480	9100-4033
A7A3L3	9100-4016	9		2	COIL, CHOKE 500 UH	28480	9100-4016
A7A3L4	9100-4016	9			COIL, CHOKE 500 UH	28480	9100-4016
A7A3L5	9100-4015	8		1	COIL, CHOKE 6.4 MH	28480	9100-4015
A7A3L6	9140-0315	7		2	FERRITE CHOKE	28480	9140-0315
A7A3L7	9140-0315	7			FERRITE CHOKE	28480	9140-0315
A7A3MP1	4040-0751	8		2	EXTR-PC BD ORN POLYC .062-BD-THKNS	28480	4040-0751
	1480-0073	6			PIN-ROLL .062-IN-DIA .25-IN-LG BE-CU	28480	1480-0073
A7A3MP2	4040-0751	8			EXTR-PC BD ORN POLYC .062-BD-THKNS	28480	4040-0751
	1480-0073	6			PIN-ROLL .062-IN-DIA .25-IN-LG BE-CU	28480	1480-0073
A7A3MP3	08662-00016	0			SUPPORT, PC BOARD #3	28480	08662-00016
A7A3MP4	08662-20042	4		2	EXTRUSION, HEAT SINK, .3	28480	08662-20042
	2360-0117	6		5	SCREW-MACH 6-32 .375-IN-LG PAN-HD-POZI	00000	ORDER BY DESCRIPTION
	08662-00237	7			INSULATOR SHIELD BCK	28480	08662-00237
A7A3MP5	08662-20042	4			EXTRUSION, HEAT SINK, .3	28480	08662-20042
	2360-0117	6			SCREW-MACH 6-32 .375-IN-LG PAN-HD-POZI	00000	ORDER BY DESCRIPTION
	08662-00239	9			INSULATOR SHIELD BCK	28480	08662-00239

†Refer to Section 7 for update information.

*Factory Selected Component (Refer to Section 5).

△ Errata part change

Table 6-3. Replaceable Parts

Reference Designation	HP Part Number	C D	Qty.	Description	Mfr. Code	Mfr. Part Number
<i>2294A TO 2441A</i>						
A7A3MP6	08662-20043	5	1	EXTRUSION, HEAT SINK, DIODE	28480	08662-20043
	6960-0116	1	2	PLUG HOLE	28480	6960-0116
	2360-0117	6		SCREW-MACH 6-32 .375-IN-LG PAN-HD-POZI	00000	ORDER BY DESCRIPTION
<i>2446A AND ABOVE</i>						
A7A3MP6	08662-20043	5	1	EXTRUSION, HEAT SINK, DIODE	28480	08662-20043
	08662-00218	4	1	INSULATOR, HT SK.	28480	08662-00218
	2360-0117	6		SCREW-MACH 6-32 .375-IN-LG PAN-HD-POZI	00000	ORDER BY DESCRIPTION
	08662-00238	6		INSULATOR SHIELD BCK	28480	08662-00238
A7A3MP7	08662-00237					
A7A3MP8	08662-00238					
A7A3MP9	08662-00239					
A7A3Q1	1853-0442	4		TRANSISTOR PNP 2N3867 SI TO-5 PD = 1W	04713	2N3867
	1200-0173	5		INSULATOR-XSTR DAP-GL	28480	1200-0173
A7A3Q2	1853-0442	4		TRANSISTOR PNP 2N3867 SI TO-5 PD = 1W	04713	2N3867
	1200-0173	5		INSULATOR-XSTR DAP-GL	28480	1200-0173
A7A3Q3	1854-0657	5	2	TRANSISTOR NPN SI TO-3 PD = 73.5W	28480	1854-0657
	2360-0113	2		SCREW-MACH 6-32 .25-IN-LG PAN-HD-POZI	00000	ORDER BY DESCRIPTION
	1251-2313	6	4	CONNECTOR-SGL CONT SKT .04-IN-BSC-SZ RND	28480	1251-2313
A7A3Q4	1854-0657	5		TRANSISTOR NPN SI TO-3 PD = 73.5W	28480	1854-0657
	2360-0113	2		SCREW-MACH 6-32 .25-IN-LG PAN-HD-POZI	00000	ORDER BY DESCRIPTION
	1251-2313	6		CONNECTOR-SGL CONT SKT .04-IN-BSC-SZ RND	28480	1251-2313
A7A3R1	0764-0006	6	4	RESISTOR 18K 5% 2W MO TC = 0 + -200	28480	0764-0006
A7A3R2	0764-0006	6		RESISTOR 18K 5% 2W MO TC = 0 + -200	28480	0764-0006
A7A3R3	0757-0402	1	3	RESISTOR 110 1% .125W F TC = 0 + -100	24546	C4-1/8-T0-111-F
A7A3R4	0757-0402	1		RESISTOR 110 1% .125W F TC = 0 + -100	24546	C4-1/8-T0-111-F
A7A3R5	0757-0984	4	2	RESISTOR 10 1% .5W F TC = 0 + -100	28480	0757-0984
A7A3R6	0757-0984	4		RESISTOR 10 1% .5W F TC = 0 + -100	28480	0757-0984
A7A3R7	0757-0405	4	2	RESISTOR 162 1% .125W F TC = 0 + -100	24546	C4-1/8-T0-162R-F
A7A3R8	0757-0405	4		RESISTOR 162 1% .125W F TC = 0 + -100	24546	C4-1/8-T0-162R-F
A7A3R9	0757-0398	4		RESISTOR 75 1% .125W F TC = 0 + -100	24546	C4-1/8-T0-75R0-F
A7A3R10	0757-0398	4		RESISTOR 75 1% .125W F TC = 0 + -100	24546	C4-1/8-T0-75R0-F
A7A3R11	0698-3180	2	2	RESISTOR 68 2% 2W MO TC = 0 + -200	28480	0698-3180
A7A3R12	0698-3180	2		RESISTOR 68 2% 2W MO TC = 0 + -200	28480	0698-3180
A7A3R13	0698-3620	5	1	RESISTOR 100 5% 2W MO TC = 0 + -200	28480	0698-3620
A7A3R15	0811-1673	6	1	RESISTOR 3.9 5% 2W PW TC = 0 + -400	75042	BWH2-3R9-J
A7A3RT1	0637-0153	9	1	THERMISTOR PROBE 100K-OHM TC = -4.6%/C-DEG	63186	51A92
	08662-00162	7	2	PAD, FOAM	28480	08662-00162
	0460-0042	6	2	TAPE ELE .75-IN-W .0025-IN-T POLYE-FLM	00000	ORDER BY DESCRIPTION
A7A3T1	9100-4018	1	2	TRANSFORMER	28480	9100-4018
A7A3T2	9100-4018	1		TRANSFORMER	28480	9100-4018
A7A3T3	9100-4017	0	1	TRANSFORMER	28480	9100-4017
	3050-0062	4	1	WASHER-FL NM NO. 8 .188-IN-ID .438-IN-OD	28480	3050-0062
	2580-0003	5	2	NUT-HEX-W/LKWR 8-32-THD .125-IN-THK	00000	ORDER BY DESCRIPTION

†Refer to Section 7 for update information.

*Factory Selected Component (Refer to Section 5).

Δ Errata part change.

Table 6-3. Replaceable Parts

Reference Designation	HP Part Number	C D	Qty.	Description	Mfr. Code	Mfr. Part Number
A7A4						
<i>2234A TO 2537A</i>						
A7A4 †	08882-60156	5	1	POWER SUPPLY MOTHER BOARD	28480	08882-60156
<i>2545A AND ABOVE</i>						
A7A4	08882-60376	1	1	POWER SUPPLY MOTHER BOARD	28480	08882-60376
A7A4C1	0150-0012	3	1	CAPACITOR-FXD .01UF +-20% 1KVDC CER	56289	C023A102J103MS38
A7A4C2	0180-2835	5	2	CAPACITOR-FXD 800UF+50-10% 250VDC AL	28480	0180-2835
	2680-0129	8	8	SCREW-MACH 10-32 .312-IN-LG PAN-HD-POZI	00000	ORDER BY DESCRIPTION
	2190-0011	8	8	WASHER-LK INTL T NO. 10 .195-IN-ID	28480	2190-0011
A7A4C3	0180-2835	5	5	CAPACITOR-FXD 800UF+50-10% 250VDC AL	28480	0180-2835
	2680-0129	8	8	SCREW-MACH 10-32 .312-IN-LG PAN-HD-POZI	00000	ORDER BY DESCRIPTION
	2190-0011	8	8	WASHER-LK INTL T NO. 10 .195-IN-ID	28480	2190-0011
A7A4C4	0160-4851	7	1	CAPACITOR-FXD .022UF +-20% 250VAC(RMS)	28480	0160-4851
A7A4C5	0160-0168	1	1	CAPACITOR-FXD .1UF +-10% 200VDC POLYE	28480	0160-0168
A7A4C6	0180-2882	8	1	CAPACITOR-FXD .015F+-20% 7.5VDC AL	28480	0180-2882
	2680-0129	8	8	SCREW-MACH 10-32 .312-IN-LG PAN-HD-POZI	00000	ORDER BY DESCRIPTION
	2190-0011	8	8	WASHER-LK INTL T NO. 10 .195-IN-ID	28480	2190-0011
A7A4C7	0180-2208	6	6	CAPACITOR-FXD 220UF+-10% 10VDC TA	56289	150D227X9010S2
<i>2234A TO 2537A</i>						
A7A4CR1	1901-0494	9	6	DIODE-PWR RECT 1N5003 1KV 1.5A	04713	1N5003
A7A4CR2	1901-0494	9	6	DIODE-PWR RECT 1N5003 1KV 1.5A	04713	1N5003
A7A4CR3	1901-0494	9	6	DIODE-PWR RECT 1N5003 1KV 1.5A	04713	1N5003
A7A4CR4	1901-0494	9	6	DIODE-PWR RECT 1N5003 1KV 1.5A	04713	1N5003
A7A4CR5	1901-0494	9	6	DIODE-PWR RECT 1N5003 1KV 1.5A	04713	1N5003
A7A4CR6	1901-0494	9	6	DIODE-PWR RECT 1N5003 1KV 1.5A	04713	1N5003
<i>2545A AND ABOVE</i>						
A7A4CR1	1901-1188	0	0	DIODE-PWR RECT 800VA	28480	1901-1188
A7A4CR2	1901-1188	0	0	DIODE-PWR RECT 800VA	28480	1901-1188
A7A4CR3	1901-1188	0	0	DIODE-PWR RECT 800VA	28480	1901-1188
A7A4CR4	1901-1188	0	0	DIODE-PWR RECT 800VA	28480	1901-1188
A7A4CR5	1901-1188	0	0	DIODE-PWR RECT 800VA	28480	1901-1188
A7A4CR6	1901-1188	0	0	DIODE-PWR RECT 800VA	28480	1901-1188
A7A4K1	0490-1173	9	1	RELAY 1C 5VDC-COIL 2A 220VAC	28480	0490-1173
A7A4Q1	1884-0268	7	1	THYRISTOR-SCR 2N6508 TO-220AB VRRM=600	04713	2N6508
	2190-0007	2	2	WASHER-LK INTL T NO. 8 .141-IN-ID	28480	2190-0007
	2200-0101	0	1	SCREW-MACH 4-40 .188-IN-LG PAN-HD-POZI	00000	ORDER BY DESCRIPTION
A7A4Q2	1884-0329	1	1	THYRISTOR-BDT MBS4992 TO-92	03508	1884-0329
A7A4R1	0698-0085	0	0	RESISTOR 2.61K 1% .125W F TC=0+-100	24548	C4-1/8-T0-2611-F
A7A4R2	0764-0006	6	6	RESISTOR 18K 5% 2W MO TC=0+-200	28480	0764-0006
A7A4R3	0764-0006	6	6	RESISTOR 18K 5% 2W MO TC=0+-200	28480	0764-0006
A7A4R4	0698-3132	4	4	RESISTOR 261 1% .125W F TC=0+-100	24548	C4-1/8-T0-2610-F
A7A4R5	0757-0290	5	5	RESISTOR 6.19K 1% .125W F TC=0+-100	19701	MF4C1/8-T0-6191-F
A7A4R6	0698-3433	8	1	RESISTOR 28.7 1% .125W F TC=0+-100	03888	PME55-1/8-T0-2BR7-F
A7A4R7	0757-0401	0	0	RESISTOR 100 1% .125W F TC=0+-100	24548	C4-1/8-T0-101-F
A7A4R8	0811-1893	2	1	RESISTOR 5 5% 10W PW TC=0+-50	28480	0811-1893
A7A4R9	0698-3162	0	0	RESISTOR 46.4K 1% .125W F TC=0+-100	24548	C4-1/8-T0-4642-F
A7A4R10	0757-0443	0	0	RESISTOR 11K 1% .125W F TC=0+-100	24548	C4-1/8-T0-1102-F
A7A4R11	0757-0466	7	2	RESISTOR 110K 1% .125W F TC=0+-100	24548	C4-1/8-T0-1103-F

†Refer to Section 7 for update information.

*Factory Selected Component (Refer to Section 5).

Table 6-3. Replaceable Parts

Reference Designation	HP Part Number	C D	Qty.	Description	Mfr. Code	Mfr. Part Number
A7A4R12	0811-3514	8	1	RESISTOR .005 5% 5W PW TC=0+-90	28480	0811-3514
A7A4R13	0811-3288	3	1	RESISTOR .025 10% 2W PW TC=0+-180	28480	0811-3288
A7A4RT1	0837-0366	6	1	THERMISTOR SURGE PTCTR 5 OHM AT 25 DEG C	28480	0837-0366
2234A to 2846A A7A4TPI 2918A and above A7A4TPI†				NOT ASSIGNED		
	0360-0124	3	1	CONNECTOR-SGL CONT PIN .04-IN-BSC-SZ RND	28480	0360-0124
A7A4VR1	1902-0668	1	1	DIODE-ZNR 200V 5% DO-15 PD=1W TC=+.088%	28480	1902-0668
A7A4VR2	1902-0666	9	1	DIODE-ZNR 162V 5% DO-15 PD=1W TC=+.091%	28480	1902-0666
A7A4XA7A1A	1251-1631	9	8	CONNECTOR-PC EDGE 10-CONT/ROW 1-ROW	28480	1251-1631
A7A4XA7A1B	1251-1633	1	9	CONNECTOR-PC EDGE 15-CONT/ROW 1-ROW	28480	1251-1633
A7A4XA7A2	1251-1634	2		CONNECTOR-PC EDGE 18-CONT/ROW 1-ROW	28480	1251-1634
A7A4XA7A3	1251-5557	8	1	CONNECTOR-PC EDGE 22-CONT/ROW 1-ROW	28480	1251-5557
	0510-0160	6	2	NUT-HEX-OBL-CHAM 4-40-THD .122-IN-THK	00000	ORDER BY DESCRIPTION
	0570-0031	6	2	SCREW-MACH 4-40 .5-IN-LG RD-HD-SLT	00000	ORDER BY DESCRIPTION

†Refer to Section 7 for update information.

*Factory Selected Component (Refer to Section 5).

Δ Errata part change.

Table 4-3. Replaceable Parts

A7 MISC

A7MP1	08662-00017	1		COVER, PS BOTTOM	28480	08662-00017
A7MP2	08662-00042	2	1	COVER, PS TOP	28480	08662-00042
	08662-00021	7	1	BUMPER, FOAM	28480	08662-00021
A7MP3	0380-0388	3	5	STANDOFF-HEX .375-IN-LG 6-32THD	28480	0380-0388
A7MP4	0403-0332	7	2	GUIDE-PC BD BLK POLYIC .062-BD-THKNS	28480	0403-0332
A7MP5	2360-0181	4	13	SCREW-MACH 6-32 .25-IN-LG 82 DEG	00000	ORDER BY DESCRIPTION
A7MP6	08662-00054	6	1	SUPPORT, PC	28480	08662-00054
A7MP7	08662-00055	7	1	DECK, AC	28480	08662-00055
	08662-00124	1	7	RUBBER, FOAM	28480	08662-00124
A7MP8	08662-00015	9	1	SUPPORT, A7XP1	28480	08662-00015
A7MP9	2200-0165	6	1	SCREW-MACH 4-40 .25-IN-LG 82 DEG	00000	ORDER BY DESCRIPTION
A7MP10	2200-0103	2		SCREW-MACH 4-40 .25-IN-LG PAN-HD-POZI	28480	2200-0103
A7MP11	2360-0115	4	1	SCREW-MACH 6-32 .312-IN-LG PAN-HD-POZI	00000	ORDER BY DESCRIPTION
A7MP12	08662-00131	0	1	SUPPORT, POWER MODULE	28480	08662-00131
A7MP13	08662-00014	8	1	COVER, AC	28480	08662-00014
A7XP1	1251-3315	0	1	CONNECTOR 9-PIN M UTILITY	28480	1251-3315
	1251-2097	3	8	CONTACT-CONN UAW-UTIL MALE CRP	28480	1251-2097

Table 6-3. Replaceable Parts

Reference Designation	HP Part Number	C D	Qty.	Description	Mfr. Code	Mfr. Part Number
A8						
ABC1	0160-3036	8		CAPACITOR-FDTHRU 5000PF +90 -20% 200V	28480	0160-3036
ABC2	0160-3036	8		CAPACITOR-FDTHRU 5000PF +90 -20% 200V	28480	0160-3036
ABC3	0160-3036	8		CAPACITOR-FDTHRU 5000PF +90 -20% 200V	28480	0160-3036
ABC4	0160-3036	8		CAPACITOR-FDTHRU 5000PF +90 -20% 200V	28480	0160-3036
ABC5	0160-3036	8		CAPACITOR-FDTHRU 5000PF +90 -20% 200V	28480	0160-3036
2234A TO 2405A ARC6				NOT ASSIGNED		
2408A AND ABOVE ABC6	0160-3036	8	6	CAPACITOR-FDTHRU 5000PF +90 -20% 200V	28480	0160-3036
ABMP1	0905-0741	8	1	GASKET, FOAM, SMALL	28480	0905-0741
ABMP2	0905-0742	7	1	GASKET, FOAM, LARGE	28480	0905-0742
ABMP3	5040-0394	6	1	BUTTON-INT	28480	5040-0394
ABMP4	5040-0395	7	2	BUTTON-EXT	28480	5040-0395
ABMP5	08660-00100	1	4	DAMPING PAD, FOAM	28480	08660-00100
ABMP6	08662-00124	1		RUBBER FOAM	28480	08662-00124
ABMP7	08662-00154	7	1	GASKET, 10 MHZ	28480	08662-00154
ABMP8	08662-20310	9	1	CASTING, BOTTOM 350 MHZ	28480	08662-20310
ABMP9	08662-20021	9	1	CASTING, COVER 10 MHZ	28480	08662-20021
2234A TO 2405A ABMP10	08662-20311	0	1	CASTING, BASE, 10 MHZ	28480	08662-20311
2408A AND ABOVE ABMP10	08662-20323	4	1		28480	08662-20323
ABMP11	08662-20037	7	1	LIMIT, CASTING	28480	08662-20037
ABMP12	08662-20284	6	1	CONTACT-FINGERS	28480	08662-20284
ABMP13	08662-00155	8	1	GASKET, 350 MHZ	28480	08662-00155
ABMP14	08662-20019	5	1	CASTING COVER, 350 MHZ	28480	08662-20019
ABMP15	2200-0509	2	9	SCREW-MACH 4-40 1.625-IN-LG PAN-HD-POZI	00000	ORDER BY DESCRIPTION
ABMP16	2190-0003	8		CONNECTOR	28480	2190-0003
ABMP17	08662-00023	9	1	PLATE, HF OSCILLATORS SUPPORT	28480	08662-00023
ABMP18	08662-20282	4	1	CONTACT-FINGERS	28480	08662-20282
ABMP19	08662-20283	5	1	CONTACT-FINGERS	28480	08662-20283
				AB MISCELLANEOUS PARTS		
	0360-0037	7	5	TERMINAL-SLDR LUG PL-MTG FOR- / 6-SCR	28480	0360-0037
	0362-0227	1	3	CONNECTOR-SGL CONT SXT 1.14-MM-B3C-SZ	28480	0362-0227
	0890-0041	6		TUBING-HS .11-D/.08-RCVD .016-WALL PVC	00000	ORDER BY DESCRIPTION
	2190-0003	8	14	WASHER-LK HLCL NO. 4 .115-IN-ID	28480	2190-0003
	2190-0124	4		WASHER-LK INTL T NO. 10 .195-IN-ID	28480	2190-0124
	2200-0103	2		SCREW-MACH 4-40 .25-IN-LG PAN-HD-POZI	28480	2200-0103
	2200-0105	4		SCREW-MACH 4-40 .312-IN-LG PAN-HD-POZI	00000	ORDER BY DESCRIPTION
	2200-0111	2	1	SCREW-MACH 4-40 .5-IN-LG PAN-HD-POZI	00000	ORDER BY DESCRIPTION
	2850-0078	9		NUT-HEX-DBL-CHAM 10-32-THD .067-IN-THK	28480	2850-0078
	8160-0054	2		RFI ROUND STRIP CU SN-PL .07-IN-OD	28480	8160-0054

† Refer to Section 7 for update information.

* Factory Selected Component (Refer to Section 5.)

Table 6-3. Replaceable Parts

Reference Designation	HP Part Number	C D	Qty.	Description	Mfr. Code	Mfr. Part Number
A8A1						
2234A TO 2748A						
A8A1	08662-80001	9	1	VCO (NOT RECOMMENDED FOR FIELD REPAIR)	28480	08662-80001
2823A AND ABOVE						
A8A1	08662-80401	3	2	VCO (NOT RECOMMENDED FOR FIELD REPAIR)	28480	08662-80401
A8A1	08662-80083	7	1	RESTORED VCO ASSEMBLY	28480	08662-80083
A8A1MP1	08662-80081	7	1	FACTORY REPAIR LABEL	28480	08662-80081
A8A2						
2234A TO 2313A						
A8A2 †	08662-60001	9		VCO (NOT RECOMMENDED FOR FIELD REPAIR)	28480	08662-60001
2319A TO 2748A						
A8A2	08662-60317	0	1	VCO (NOT RECOMMENDED FOR FIELD REPAIR)	28480	08662-60317
2823A AND ABOVE						
A8A2 ^A	08662-60401	3	1	VCO (NOT RECOMMENDED FOR FIELD REPAIR)	28480	08662-60401
A8A2	08662-60083	7		RESTORED VCO ASSEMBLY	28480	08662-60083
A8A1MP1	08662-80081	7	1	FACTORY REPAIR LABEL	28480	08662-80081
A8A3						
2234A TO 2446A						
A8A3 †	10544B(003)	6	1	10MHZ REFERENCE OSCILLATOR NOT RECOMMENDED FOR FIELD REPAIR	28480	10544B(003)
2447A AND ABOVE						
A8A3	5061-6002	8	1	10MHZ REFERENCE OSCILLATOR (NOT RECOMMENDED FOR FIELD REPAIR)	28480	10811-60111
A8A3	08662-60085	9	1	RESTORED VCO ASSEMBLY	28480	08662-60085

Table 6-3. Replaceable Parts

Reference Designation	HP Part Number	C D	Qty.	Description	Mfr. Code	Mfr. Part Number
A8A4						
A8A4	06662-60306	7	1	REFERENCE BUFFER	26480	06662-60306
A8A4C1	0160-3879	7		CAPACITOR-FXD .01UF +-20% 100VDC CER	26480	0160-3879
A8A4C2	0160-3879	7		CAPACITOR-FXD .01UF +-20% 100VDC CER	26480	0160-3879
A8A4C3	0160-3879	7		CAPACITOR-FXD .01UF +-20% 100VDC CER	26480	0160-3879
A8A4C4	0160-3879	7		CAPACITOR-FXD .01UF +-20% 100VDC CER	26480	0160-3879
A8A4C5	0160-4512	7		CAPACITOR-FXD 120PF +-5% 200VDC CER	26480	0160-4512
A8A4C6	0160-4365	8	3	CAPACITOR-FXD 470PF +-5% 100VDC CER	26480	0160-4365
A8A4C7	0160-3879	7		CAPACITOR-FXD .01UF +-20% 100VDC CER	26480	0160-3879
A8A4C8	0180-2617	1		CAPACITOR-FXD 6.8UF+-10% 35VDC TA	25089	D6R8GS1B35K
A8A4C9	0160-3879	7		CAPACITOR-FXD .01UF +-20% 100VDC CER	26480	0160-3879
A8A4C10	0180-2617	1		CAPACITOR-FXD 6.8UF+-10% 35VDC TA	25089	D6R8GS1B35K
A8A4C11	0180-2617	1		CAPACITOR-FXD 6.8UF+-10% 35VDC TA	25089	D6R8GS1B35K
A8A4C12	0160-3879	7		CAPACITOR-FXD .01UF +-20% 100VDC CER	26480	0160-3879
A8A4C14	0180-4031	5	1	CAPACITOR-FXD 330PF +-5% 100VDC CER	26480	0160-4031
A8A4C15	0160-4588	7	1	CAPACITOR-FXD 270PF +-5% 100VDC CER	26480	0160-4588
A8A4C16	0160-4388	8		CAPACITOR-FXD 100PF +-5PF 200VDC CER	26480	0160-4388
A8A4C17	0160-3879	7		CAPACITOR-FXD .01UF +-20% 100VDC CER	26480	0160-3879
A8A4C18	0180-2617	1		CAPACITOR-FXD 6.8UF+-10% 35VDC TA	25088	D6R8GS1B35K
A8A4C19	0160-3879	7		CAPACITOR-FXD .01UF +-20% 100VDC CER	26480	0160-3879
A8A4C20	0160-3879	7		CAPACITOR-FXD .01UF +-20% 100VDC CER	26480	0160-3879
A8A4C21	0160-3879	7		CAPACITOR-FXD .01UF +-20% 100VDC CER	26480	0160-3879
A8A4C22	0160-3879	7		CAPACITOR-FXD .01UF +-20% 100VDC CER	26480	0160-3879
A8A4C23	0160-3879	7		CAPACITOR-FXD .01UF +-20% 100VDC CER	26480	0160-3879
A8A4C24	0160-3879	7		CAPACITOR-FXD .01UF +-20% 100VDC CER	26480	0160-3879
A8A4C25	0160-3875	3		CAPACITOR-FXD 22PF +-5% 200VDC CER 0+-30	26480	0160-3875
A8A4C27	0160-4385	8		CAPACITOR-FXD 470PF +-5% 100VDC CER	26480	0160-4385
A8A4C28	0180-2205	3	1	CAPACITOR-FXD .33UF+-10% 35VDC TA	56289	150D334X9035A2
A8A4CR1	1901-0518	8		DIODE-SM SIG SCHOTTKY	26480	1901-0518
A8A4CR2	1901-0518	8		DIODE-SM SIG SCHOTTKY	26480	1901-0518
A8A4CR3	1901-0518	8		DIODE-SM SIG SCHOTTKY	26480	1901-0518
A8A4CR4	1901-0519	9	1	DIODE-SWITCHING 200V 50NS DO-34	26480	1901-0519
A8A4J1	1250-0083	1	1	CONNECTOR-RF BNC FEM SGL-HOLE-FR 50-OHM	26480	1250-0083
	2190-0016	3	2	WASHER-LK INTL T 3/8 IN .377-IN-ID	26480	2190-0016
	2950-0001	9	2	NUT-HEX-DBL-CHAM 3/8-32-THD .094-IN-THK	00000	ORDER BY DESCRIPTION
A8A4J2	1250-0083	1		CONNECTOR RF BNC FEM SGL-HOLE-FR 50-OHM	26480	1250-0083
	2190-0016	3		WASHER-LK INTL T 3/8 IN .377-IN-ID	26480	2190-0016
	2950-0001	9		NUT-HEX-DBL-CHAM 3/8-32-THD .094-IN-THK	00000	ORDER BY DESCRIPTION
A8A4L1	9140-0144	0		INDUCTOR RF-CH-MLD 4.7UH 10% .105DX.26LG	26480	9140-0144
A8A4L2	9140-0151	9	1	INDUCTOR RF-CH-MLD 2.0UH 5%	26480	9140-0151
A8A4L3	9140-0178	0	1	INDUCTOR RF-CH-MLD 12UH 10% .168DX.385LG	26480	9140-0178
A8A4L4	9100-2260	1	1	INDUCTOR RF-CH-MLD 1.8UH 10% .105DX.26LG	26480	9100-2260
A8A4L5	9100-2251	0		INDUCTOR RF-CH-MLD 220NH 10% .105DX.26LG	26480	9100-2251
A8A4L6	9100-2247	4		INDUCTOR RF-CH-MLD 100NH 10% .105DX.26LG	26480	9100-2247

† Refer to Section 7 for update information.

* Factory Selected Component (Refer to Section 5.)

Table 6-3. Replaceable Parts

Reference Designation	HP Part Number	C D	Qty.	Description	Mfr. Code	Mfr. Part Number
ABA4MP1	08662-00025	1	1	SUPPORT, 9NC BRACKET	28480	08662-00025
	2200-0103	2	7	SCREW-MACH 4-40 .25-IN-LG PAN-RO-POZI	28480	2200-0103
	08682-20391	6		INSULATOR	28480	08682-20391
ABA4MP2	6960-0069	3	1	PLUG-HOLE	28480	6960-0069
ABA4Q1	1854-0247	9		TRANSISTOR NPN SI TO-39 PD=1W FT=900MHZ	28480	1854-0247
ABA4Q2	1854-0247	9		TRANSISTOR NPN SI TO-39 PD=1W FT=900MHZ	28480	1854-0247
ABA4R1	0698-7205	0		RESISTOR 51.1 1% .05W F TC=0+-100	24546	C3-1/B-TO-51R1-F
ABA4R2	0698-7239	0	3	RESISTOR 1.33K 1% .05W F TC=0+-100	24546	C3-1/B-TO-1331-F
ABA4R3	0898-7251	6		RESISTOR 4.22K 1% .05W F TC=0+-100	24546	C3-1/B-TO-4221-F
ABA4R4	0698-7261	6		RESISTOR 11K 1% .05W F TC=0+-100	24546	C3-1/B-TO-1102-F
ABA4R5	0698-7203	6	2	RESISTOR 42.2 1% .05W F TC=0+-100	24546	C3-1/B-TO-42R2-F
ABA4R6	0698-0090	7		RESISTOR 464 1% .5W F TC=0+-100	28480	0698-0090
ABA4R7	0757-0346	2		RESISTOR 10 1% .125W F TC=0+-100	24546	C4-1/B-TO-10R0-F
ABA4R8	0698-3438	3		RESISTOR 147 1% .125W F TC=0+-100	24546	C4-1/B-TO-147R-F
ABA4R10	0698-7212	9		RESISTOR 100 1% .05W F TC=0+-100	24546	C3-1/B-TO-100R-F
ABA4R11	0698-7243	6		RESISTOR 1.98K 1% .05W F TC=0+-100	24546	C3-1/B-TO-1961-F
ABA4R13	0698-7239	0		RESISTOR 1.33K 1% .05W F TC=0+-100	24546	C3-1/B-TO-1331-F
ABA4R14	0698-7198	0		RESISTOR 26.1 1% .05W F TC=0+-100	24546	C3-1/B-TO-26R1-F
ABA4R15	0698-3437	2		RESISTOR 133 1% .125W F TC=0+-100	24546	C4-1/B-TO-133R-F
ABA4R16	0698-7251	6		RESISTOR 4.22K 1% .05W F TC=0+-100	24546	C3-1/B-TO-4221-F
ABA4R17	0698-7251	6		RESISTOR 4.22K 1% .05W F TC=0+-100	24546	C3-1/B-TO-4221-F
ABA4R18	0698-7260	7		RESISTOR 10K 1% .05W F TC=0+-100	24546	C3-1/B-TO-1002-F
ABA4R19	0698-7266	3		RESISTOR 17.8K 1% .05W F TC=0+-100	24546	C3-1/B-TO-1782-F
ABA4R20	0698-7284	5		RESISTOR 100K 1% .05W F TC=0+-100	24546	C3-1/B-TO-1003-F
ABA4R21	0698-7244	7		RESISTOR 2.15K 1% .05W F TC=0+-100	24546	C3-1/B-TO-2151-F
ABA4R22	0698-7277	6		RESISTOR 51.1K 1% .05W F TC=0+-100	24546	C3-1/B-TO-5112-F
ABA4R23	0698-7198	0		RESISTOR 26.1 1% .05W F TC=0+-100	24546	C3-1/B-TO-26R1-F
ABA4R24	0698-7198	0		RESISTOR 26.1 1% .05W F TC=0+-100	24546	C3-1/B-TO-26R1-F
ABA4R25	0698-7198	0		RESISTOR 26.1 1% .05W F TC=0+-100	24546	C3-1/B-TO-26R1-F
ABA4R26	0698-7198	0		RESISTOR 26.1 1% .05W F TC=0+-100	24546	C3-1/B-TO-26R1-F
ABA4R27	0698-7243	6		RESISTOR 1.98K 1% .05W F TC=0+-100	24546	C3-1/B-TO-1961-F
ABA4R28	0698-7265	2	4	RESISTOR 16.2K 1% .05W F TC=0+-100	24546	C3-1/B-TO-1622-F
ABA4R29	0698-7265	2		RESISTOR 16.2K 1% .05W F TC=0+-100	24546	C3-1/B-TO-1622-F
ABA4R30	0698-7253	6		RESISTOR 5.11K 1% .05W F TC=0+-100	24546	C3-1/B-TO-5111-F
ABA4R31	0698-7253	6		RESISTOR 5.11K 1% .05W F TC=0+-100	24546	C3-1/B-TO-5111-F
ABA4R32	0698-7238	7		RESISTOR 1K 1% .05W F TC=0+-100	24546	C3-1/B-TO-1001-F
ABA4R33	0698-7229	8		RESISTOR 511 1% .05W F TC=0+-100	24546	C3-1/B-TO-511R-F
ABA4R34	0698-7206	1	2	RESISTOR 56.2 1% .05W F TC=0+-100	24546	C3-1/B-TO-56R2-F
ABA4R35	0698-7204	9		RESISTOR 46.4 1% .05W F TC=0+-100	24546	C3-1/B-TO-46R4-F
ABA4R36	0698-7215	2		RESISTOR 133 1% .05W F TC=0+-100	24546	C3-1/B-TO-133R-F
ABA4R37	0698-7204	9		RESISTOR 46.4 1% .05W F TC=0+-100	24546	C3-1/B-TO-46R4-F
ABA4R38	0698-7215	2		RESISTOR 133 1% .05W F TC=0+-100	24546	C3-1/B-TO-133R-F
ABA4R39	0698-7215	2		RESISTOR 133 1% .05W F TC=0+-100	24546	C3-1/B-TO-133R-F
ABA4R40	0698-7215	2		RESISTOR 133 1% .05W F TC=0+-100	24546	C3-1/B-TO-133R-F
ABA4R41	0757-1090	5	3	RESISTOR 261 1% .5W F TC=0+-100	28480	0757-1090
ABA4R42	0757-1090	5		RESISTOR 261 1% .5W F TC=0+-100	28480	0757-1090
ABA4S1	3101-1730	4	1	SWITCH-PB 3-STATION 15MM C-C SPACING	28480	3101-1730

† Refer to Section 7 for update information.

* Factory Selected Component (Refer to Section 5.)

Table 6-3. Replaceable Parts

Reference Designation	HP Part Number	C D	Qty.	Description	Mfr. Code	Mfr. Part Number
ABA4T1	08662-80013	5		TRANSFORMER, 12T	28480	08662-80013
ABA4T2	08662-80003	3	4	TRANSFORMER	28480	08662-80003
ABA4T3	08662-80003	3		TRANSFORMER	28480	08662-80003
ABA4T4	08662-80013	5		TRANSFORMER, 12T	28480	08662-80013
ABA4T5	08662-80003	3		TRANSFORMER	28480	08662-80003
ABA4T6	08662-80003	3		TRANSFORMER	28480	08662-80003
ABA4T7	08662-80013	5		TRANSFORMER, 12T	28480	08662-80013
ABA4T8	08662-80013	5		TRANSFORMER, 12T	28480	08662-80013
ABA4T9	08662-80013	5		TRANSFORMER, 12T	28480	08662-80013
ABA4U1	1826-0138	8		IC COMPARATOR GP QUAD 14-DIP-P PKG	01295	LM339N
ABA4U2	1826-0275	4	1	IC 78L12A V RGLTR TO-92	04713	MC78L12ACP
ABA4W1	8150-0033	6	2	WIRE, 22 AWG	28480	8150-0033
ABA4W2	8150-0033	6		WIRE, 22 AWG	28480	8150-0033

†Refer to Section 7 for update information.

*Factory Selected Component (Refer to Section 5).

6-179/
(6-180 blank)

Table 6-3. Replaceable Parts

Reference Designation	HP Part Number	C D	Qty.	Description	Mfr. Code	Mfr. Part Number
A8A5						
2234A TO 2401A A8A5 † 2408E AND ABOVE	08682-60191	8	1	REFERENCE SECTION MOTHER BOARD	28480	08682-60191
A8A5	08662-60322	7	1	REFERENCE SECTION MOTHERBOARD	28480	08662-60322
A8A5J1	1250-1588	3	5	CONNECTOR-RF SMB M PC 50-OHM	28480	1250-1588
A8A5J2	1250-1588	3		CONNECTOR-RF SMB M PC 50-OHM	28480	1250-1588
A8A5J3	1250-1588	3		CONNECTOR-RF SMB M PC 50-OHM	28480	1250-1588
A8A5J4	1250-1588	3		CONNECTOR-RF SMB M PC 50-OHM	28480	1250-1588
2234A TO 2405A A8A5J5 2408A AND ABOVE				NOT ASSIGNED		
A8A5J5	1250-1588	3		CONNECTOR, 5-PIN, WAFER	28480	1250-1588
2234A TO 2405A A8A5R1-2 2408A AND ABOVE				NOT ASSIGNED		
A8A5R1	0698-7246	9	8	RESISTOR 2.81K 1% .05W F TC=0±100	24546	C3-1/8-TQ-2611-F
A8A5R2	0698-7246	9		RESISTOR 2.81K 1% .05W F TC=0±100	24546	C3-1/8-TQ-2611-F
A8A5XA8A3	1251-1633	1		CONNECTOR-PC EDGE 15-CONT/ROW 1-ROW	28480	1251-1633
A8A5XA8A4	1251-1633	1		CONNECTOR-PC EDGE 15-CONT/ROW 1-ROW	28480	1251-1633
A8A6XA8A4	1251-1633	1		CONNECTOR-PC EDGE 15-CONT/ROW 1-ROW	28480	1251-1633

†Refer to Section 7 for update information.

*Factory Selected Component (Refer to Section 5).

6-181/
(6-182 blank)

Table 6-3. Replaceable Parts

Reference Designation	HP Part Number	C D	Qty.	Description	Mfr. Code	Mfr. Part Number
A9						
A9	08663-60342	2	1	BOARD ASSEMBLY, HP-IB	28480	08663-60342
A9J1A	1251-4736	1	1	CONNECTOR 26-PIN M RECTANGULAR	28480	1251-4736
A9J1B	1251-6707	0	1	CONNECTOR 26-PIN M POST TYPE	28480	1251-6707
A9J2	1251-3283	1	1	CONNECTOR 24-PIN F MICRORIBBON	28480	1251-3283
A9J3	1251-6608	0	1	CONNECTOR 16-PIN M POST TYPE	28480	1251-6608
A9MP1	0360-0643	3	1	STANDOFF-HEX .255-IN-LG 6-32THD	00000	ORDER BY DESCRIPTION
A9MP2	08662-20027	5	1	SUPPORT (LEFT)	28480	08662-20027
	2190-0017	4	2	WASHER-LK HLCL NO. 8 .188-IN-ID	28480	2190-0017
	2200-0103	2		SCREW-MACH 4-40 .25-IN-LG PAN-HD-POZI	28480	2200-0103
A9MP3	08662-20026	4	1	SUPPORT (RIGHT)	28480	08662-20026
	2190-0017	4		WASHER-LK HLCL NO. 8 .188-IN-ID	28480	2190-0017
	2200-0103	2		SCREW-MACH 4-40 .25-IN-LG PAN-HD-POZI	28480	2200-0103
A9TP1	1251-0600	0		CONNECTOR-SGL CONT PIN 1,14-MM-BSC-SZ SQ	28480	1251-0600
A9TP2	1251-0600	0		CONNECTOR-SGL CONT PIN 1,14-MM-BSC-SZ SQ	28480	1251-0600
A9TP3	1251-0600	0		CONNECTOR-SGL CONT PIN 1,14-MM-BSC-SZ SQ	28480	1251-0600

† Refer to Section 7 for update information.

* Factory Selected Component (Refer to Section 5.)

Replaceable Parts

Model 8663A

A9

A9	08663-60342	2	1	BOARD ASSEMBLY, HP-IB	28480	08663-60342
A9J1A	1251-4736	1	1	CONNECTOR 26-PIN M RECTANGULAR	28480	1251-4736
A9J1B	1251-6707	0	1	CONNECTOR 26-PIN M POST TYPE	28480	1251-6707
A9J2	1251-3283	1	1	CONNECTOR 24-PIN F MICRORIBBON	28480	1251-3283
A9J3	1251-6808	0	1	CONNECTOR 16-PIN M POST TYPE	28480	1251-6808
A9J4	1251-5595	2		POLARIZING KEY-POST CONN	28480	1251-5595
A9MP1	0380-0643	3	1	STANDOFF-HEX .255-IN-LG 6-32THD	00000	ORDER BY DESCRIPTION
A9MP2	08662-20027	5	1	SUPPORT (LEFT)	28480	08662-20027
	2190-0017	4	2	WASHER-LK HLCL NO. 8 .168-IN-ID	28480	2190-0017
	2200-0103	2		SCREW-MACH 4-40 .25-IN-LG PAN-HD-POZI	28480	2200-0103
A9MP3	08662-20026	4	1	SUPPORT (RIGHT)	28480	08662-20026
	2190-0017	4		WASHER-LK HLCL NO. 8 .168-IN-ID	28480	2190-0017
	2200-0103	2		SCREW-MACH 4-40 .25-IN-LG PAN-HD-POZI	28480	2200-0103
A9TP1	1251-0600	0		CONNECTOR-SGL CONT PIN 1.14-MM-BSC-SZ SQ	28480	1251-0600
A9TP2	1251-0600	0		CONNECTOR-SGL CONT PIN 1.14-MM-BSC-SZ SQ	28480	1251-0600
A9TP3	1251-0600	0		CONNECTOR-SGL CONT PIN 1.14-MM-BSC-SZ SQ	28480	1251-0600

†Refer to Section 7 for update information.

*Factory Selected Component (Refer to Section 5).

Table 6-3. Replaceable Parts

Reference Designation	HP Part Number	C D	Qty.	Description	Mfr. Code	Mfr. Part Number
A11A1						
A11A1	08663-60321	7	1	VARIABLE MODULATION OSCILLATOR ASSEMBLY	28480	08663-60321
A11A1C1	0160-2617	1		CAPACITOR-FXD 6.8UF+-10% 35VDC TA	25088	D6R8GS1B35K
A11A1C2	0160-2617	1		CAPACITOR-FXD 6.8UF+-10% 35VDC TA	25088	D6R8GS1B35K
A11A1C3	0160-2617	1		CAPACITOR-FXD 6.8UF+-10% 35VDC TA	25088	D6R8GS1B35K
A11A1C4	0160-3879	7		CAPACITOR-FXD .01UF +-20% 100VDC CER	28480	0160-3879
A11A1C5	0160-0573	2		CAPACITOR-FXD 4700PF +-20% 100VDC CER	28480	0160-0573
A11A1C6	0160-0573	2		CAPACITOR-FXD 4700PF +-20% 100VDC CER	28480	0160-0573
A11A1C7	0160-0576	5	10	CAPACITOR-FXD .1UF +-20% 50VDC CER	28480	0160-0576
A11A1C8	0160-0576	5		CAPACITOR-FXD .1UF +-20% 50VDC CER	28480	0160-0576
A11A1C9	0160-4387	4		CAPACITOR-FXD 47PF +-5% 200VDC CER 0+-30	28480	0160-4387
A11A1C10	0160-2222	2	1	CAPACITOR-FXD 1500PF +-5% 300VDC MICA	28480	0160-2222
A11A1C11	0160-3538	5		CAPACITOR-FXD 750PF +-5% 100VDC MICA	28480	0160-3538
A11A1C12	0160-0157	8		CAPACITOR-FXD 4700PF +-10% 200VDC POLYE	28480	0160-0157
A11A1C13	0160-0162	5	1	CAPACITOR-FXD .022UF +-10% 200VDC POLYE	28480	0160-0162
A11A1C14	0160-3879	7		CAPACITOR-FXD .01UF +-20% 100VDC CER	28480	0160-3879
A11A1C15	0160-3879	7		CAPACITOR-FXD .01UF +-20% 100VDC CER	28480	0160-3879
A11A1C16	0140-0170	3	1	CAPACITOR-FXD 5600PF +-5% 300VDC MICA	72136	DM20F562J0300WV1CR
A11A1C17	0160-0570	9		CAPACITOR-FXD 220PF +-20% 100VDC CER	28480	5024EM100RD221M
A11A1C18	0160-3879	7		CAPACITOR-FXD .01UF +-20% 100VDC CER	28480	0160-3879
A11A1C19	0160-2651	5	3	CAPACITOR-FXD 1UF+-10% 50VDC TA	25088	D1R0GS1A50K
A11A1C20	0160-2861	5		CAPACITOR-FXD 1UF+-10% 50VDC TA	25088	D1R0GS1A50K
A11A1C21	0160-0576	5		CAPACITOR-FXD .1UF +-20% 50VDC CER	28480	0160-0576
A11A1C22	0160-4389	6		CAPACITOR-FXD 100PF +-5PF 200VDC CER	28480	0160-4389
A11A1C23	0160-3879	7		CAPACITOR-FXD .01UF +-20% 100VDC CER	28480	0160-3879
A11A1C24	0160-3046	0	6	CAPACITOR-FXD 250PF +-1% 100VDC MICA	28480	0160-3046
A11A1C25	0160-3046	0		CAPACITOR-FXD 250PF +-1% 100VDC MICA	28480	0160-3046
A11A1C26	0140-0210	2	1	CAPACITOR-FXD 270PF +-5% 300VDC MICA	72136	DM15F271J0300WV1CR
A11A1C27	0160-3875	3		CAPACITOR-FXD 22PF +-5% 200VDC CER 0+-30	28480	0160-3875
A11A1C28	0160-3010	8	2	CAPACITOR-FXD 285PF +-1% 300VDC MICA	28480	0160-3010
A11A1C29	0160-3010	8		CAPACITOR-FXD 285PF +-1% 300VDC MICA	28480	0160-3010
A11A1C30	0160-3535	2	1	CAPACITOR-FXD 560PF +-5% 300VDC MICA	28480	0160-3535
A11A1C31	0160-2620	6		CAPACITOR-FXD 2.2UF+-10% 50VDC TA	25088	D2R2GS1B50K
A11A1C32	0160-3046	0		CAPACITOR-FXD 250PF +-1% 100VDC MICA	28480	0160-3046
A11A1C33	0160-3046	0		CAPACITOR-FXD 250PF +-1% 100VDC MICA	28480	0160-3046
A11A1C34	0140-0232	8	2	CAPACITOR-FXD 480PF +-1% 300VDC MICA	72136	DM15F481F0300WV1C
A11A1C35	0140-0232	8		CAPACITOR-FXD 480PF +-1% 300VDC MICA	72136	DM15F481F0300WV1C
A11A1C36	0160-3294	0	1	CAPACITOR-FXD 2700PF +-1% 100VDC MICA	28480	0160-3294
A11A1C37	0160-4595	6	1	CAPACITOR-FXD 5600PF +-1% 200VDC	28480	0160-4595
A11A1C38	0160-3874	2		CAPACITOR-FXD 10PF +-5PF 200VDC CER	28480	0160-3874
A11A1C39	0160-3879	7		CAPACITOR-FXD .01UF +-20% 100VDC CER	28480	0160-3879
A11A1C40	0160-3879	7		CAPACITOR-FXD .01UF +-20% 100VDC CER	28480	0160-3879
A11A1C41	0160-3046	0		CAPACITOR-FXD 250PF +-1% 100VDC MICA	28480	0160-3046
A11A1C42	0160-3046	0		CAPACITOR-FXD 250PF +-1% 100VDC MICA	28480	0160-3046
A11A1C43	0160-3264	4	1	CAPACITOR-FXD 2800PF +-1% 500VDC MICA	28480	0160-3264
A11A1C44	0160-3522	7	1	CAPACITOR-FXD 3000PF +-1% 100VDC MICA	28480	0160-3522
A11A1C45	0170-0066	9	1	CAPACITOR-FXD .027UF +-10% 200VDC POLYE	28480	0170-0066

† Refer to Section 7 for update information.

* Factory Selected Component (Refer to Section 5.)

Table 6-3. Replaceable Parts

Reference Designation	HP Part Number	C D	Qty.	Description	Mfr. Code	Mfr. Part Number
A11A1C46	0160-0165	B	1	CAPACITOR-FXD .058UF +/-10% 200VDC POLYE	28480	0160-0165
A11A1C47	0160-4535	4	1	CAPACITOR-FXD 1UF +/-10% 50VDC CER	28480	0160-4535
A11A1CR1	1901-0050	3		DIODE-SWITCHING 80V 200MA 2NS DO-35	28480	1901-0050
A11A1CR2	1901-0518	9		DIODE-SM SIG SCHOTTKY	28480	1901-0518
A11A1CR3	1901-0050	3		DIODE-SWITCHING 80V 200MA 2NS DO-35	28480	1901-0050
A11A1CR4	1901-0050	3		DIODE-SWITCHING 80V 200MA 2NS DO-35	28480	1901-0050
A11A1DS1	1980-0326	3		LED-LAMP LUM-INT=300UCD IF=50MA-MAX	28480	5082-4444
A11A1MP1	08663-00038	7	1	COVER-FULL VMO	28480	08663-00038
	2360-0113	2		SCREW-MACH 6-32 .25-IN-LG PAN-HD-POZI	00000	ORDER BY DESCRIPTION
A11A1Q1	1854-0477	7	17	TRANSISTOR NPN 2N2222A SI TC-18 PD=500MW	04713	2N2222A
A11A1Q2	1854-0810	2		TRANSISTOR NPN SI PD=825MW FT=200MHZ	28480	1854-0810
A11A1Q3	1854-0477	7		TRANSISTOR NPN 2N2222A SI TC-18 PD=500MW	04713	2N2222A
A11A1Q4	1854-0810	2		TRANSISTOR NPN SI PD=825MW FT=200MHZ	28480	1854-0810
A11A1R1	0699-7199	8		RESISTOR 10 1% .05W F TC=0+-100	24546	C3-1/8-T0-10R-F
A11A1R2	0699-7199	8		RESISTOR 10 1% .05W F TC=0+-100	24546	C3-1/8-T0-10R-F
A11A1R3	0699-7251	6		RESISTOR 4.22K 1% .05W F TC=0+-100	24546	C3-1/8-T0-4221-F
A11A1R4	0699-7251	6		RESISTOR 4.22K 1% .05W F TC=0+-100	24546	C3-1/8-T0-4221-F
A11A1R5	0699-7271	0	5	RESISTOR 28.7K 1% .05W F TC=0+-100	24546	C3-1/8-T0-2872-F
A11A1R6	0699-7271	0		RESISTOR 28.7K 1% .05W F TC=0+-100	24546	C3-1/8-T0-2872-F
A11A1R7	0699-7271	0		RESISTOR 28.7K 1% .05W F TC=0+-100	24546	C3-1/8-T0-2872-F
A11A1R8	0699-7271	0		RESISTOR 28.7K 1% .05W F TC=0+-100	24546	C3-1/8-T0-2872-F
A11A1R9	0699-7277	6		RESISTOR 51.1K 1% .05W F TC=0+-100	24546	C3-1/8-T0-5112-F
A11A1R10	0699-7277	6		RESISTOR 51.1K 1% .05W F TC=0+-100	24546	C3-1/8-T0-5112-F
A11A1R11	0699-7272	1		RESISTOR 31.6K 1% .05W F TC=0+-100	24546	C3-1/8-T0-3162-F
A11A1R12	0699-3243	8		RESISTOR 178K 1% .125W F TC=0+-100	24546	C4-1/8-T0-1783-F
A11A1R13	0699-7279	8	1	RESISTOR 61.9K 1% .05W F TC=0+-100	24546	C3-1/8-T0-6192-F
A11A1R14	0699-8826	3	1	RESISTOR 825K 1% .125W F TC=0+-100	28480	0699-8826
A11A1R15	0699-7280	7		RESISTOR 10K 1% .05W F TC=0+-100	24546	C3-1/8-T0-1002-F
A11A1R16	0699-7250	5		RESISTOR 3.83K 1% .05W F TC=0+-100	24546	C3-1/8-T0-3831-F
A11A1R17	0699-7188	8		RESISTOR 10 1% .05W F TC=0+-100	24546	C3-1/8-T0-10R-F
A11A1R18	0699-7188	8		RESISTOR 10 1% .05W F TC=0+-100	24546	C3-1/8-T0-10R-F
A11A1R19	0699-7285	6	6	RESISTOR 110K 1% .05W F TC=0+-100	24546	C3-1/8-T0-1103-F
A11A1R20	0699-7288	3		RESISTOR 17.8K 1% .05W F TC=0+-100	24546	C3-1/8-T0-1782-F
A11A1R21	0699-7257	2	6	RESISTOR 7.5K 1% .05W F TC=0+-100	24546	C3-1/8-T0-7501-F
A11A1R22	0757-0420	3		RESISTOR 750 1% .125W F TC=0+-100	24546	C4-1/8-T0-751-F
A11A1R23	0699-7284	1		RESISTOR 14.7K 1% .05W F TC=0+-100	24546	C3-1/8-T0-1472-F
A11A1R24	0699-7257	2		RESISTOR 7.5K 1% .05W F TC=0+-100	24546	C3-1/8-T0-7501-F
A11A1R25	0699-7258	3	1	RESISTOR 8.25K 1% .05W F TC=0+-100	24546	C3-1/8-T0-8251-F
A11A1R26	0699-7251	6		RESISTOR 4.22K 1% .05W F TC=0+-100	24546	C3-1/8-T0-4221-F
A11A1R27	0699-7253	8		RESISTOR 5.11K 1% .05W F TC=0+-100	24546	C3-1/8-T0-5111-F
A11A1R28	0699-7262	9		RESISTOR 12.1K 1% .05W F TC=0+-100	24546	C3-1/8-T0-1212-F
A11A1R29	0699-7272	1		RESISTOR 31.6K 1% .05W F TC=0+-100	24546	C3-1/8-T0-3162-F
A11A1R30	0699-7255	0		RESISTOR 6.19K 1% .05W F TC=0+-100	24546	C3-1/8-T0-6191-F
A11A1R31	0699-7262	9		RESISTOR 12.1K 1% .05W F TC=0+-100	24546	C3-1/8-T0-1212-F
A11A1R32	0699-7224	3		RESISTOR 316 1% .05W F TC=0+-100	24546	C3-1/8-T0-316R-F
A11A1R33	0699-7269	6	1	RESISTOR 23.7K 1% .05W F TC=0+-100	24546	C3-1/8-T0-2372-F
A11A1R34	0699-7260	7		RESISTOR 10K 1% .05W F TC=0+-100	24546	C3-1/8-T0-1002-F
A11A1R35	0699-7253	8		RESISTOR 5.11K 1% .05W F TC=0+-100	24546	C3-1/8-T0-5111-F

† Refer to Section 7 for update information.

* Factory Selected Component (Refer to Section 5.)

Table 6-3. Replaceable Parts

Reference Designation	HP Part Number	C D	Qty.	Description	Mfr. Code	Mfr. Part Number
A11A1R36	0698-7238	7		RESISTOR 1K 1% .05W F TC=0+-100	24546	C3-1/B-T0-1001-F
A11A1R37	0698-7240	3		RESISTOR 1.47K 1% .05W F TC=0+-100	24546	C3-1/B-T0-1471-F
A11A1R38	0698-7248	9		RESISTOR 2.61K 1% .05W F TC=0+-100	24546	C3-1/B-T0-2611-F
A11A1R39	0698-8059	4	1	RESISTOR 4.32K 1% .125W F TC=0+-25	19701	MF4C1/B-T9-4321-B
A11A1R40	0698-8958	9	1	RESISTOR 13.56K 1% .125W F TC=0+-25	28480	0698-8958
A11A1R41	0698-7257	2		RESISTOR 7.5K 1% .05W F TC=0+-100	24546	C3-1/B-T0-7501-F
A11A1R42	0698-7254	9		RESISTOR 5.62K 1% .05W F TC=0+-100	24546	C3-1/B-T0-5621-F
A11A1R43	0698-7236	7		RESISTOR 1K 1% .05W F TC=0+-100	24546	C3-1/B-T0-1001-F
A11A1R44	0698-7246	9		RESISTOR 2.61K 1% .05W F TC=0+-100	24546	C3-1/B-T0-2611-F
A11A1R45	0698-8336	0	1	RESISTOR 3.55K 1% .125W F TC=0+-50	19701	MF4C1/B-T2-3551-B
A11A1R46	0698-8605	8	1	RESISTOR 10.35K 1% .125W F TC=0+-25	28480	0698-8605
A11A1R47	0698-7256	1		RESISTOR 6.81K 1% .05W F TC=0+-100	24546	C3-1/B-T0-6811-F
A11A1R48	0698-7238	7		RESISTOR 1K 1% .05W F TC=0+-100	24546	C3-1/B-T0-1001-F
A11A1R49	0698-8151	7		RESISTOR 2.87K 1% .125W F TC=0+-100	24546	C4-1/B-T0-2871-F
A11A1R50	0698-8039	0	1	RESISTOR 8.87K 1% .125W F TC=0+-25	19701	MF4C1/B-T9-8871-B
A11A1R51	0698-0273	0	1	RESISTOR 2.15K 1% .125W F TC=0+-25	28480	0698-0273
A11A1R52	0698-0123	9	1	RESISTOR 6.75K 1% .125W F TC=0+-25	28480	0698-0123
A11A1R53	0698-7262	9		RESISTOR 12.1K 1% .05W F TC=0+-100	24546	C3-1/B-T0-1212-F
A11A1R54	0698-7243	6		RESISTOR 1.96K 1% .05W F TC=0+-100	24546	C3-1/B-T0-1961-F
A11A1R55	0698-7252	7	3	RESISTOR 4.64K 1% .05W F TC=0+-100	24546	C3-1/B-T0-4641-F
A11A1R56	0698-7262	9		RESISTOR 12.1K 1% .05W F TC=0+-100	24546	C3-1/B-T0-1212-F
A11A1R57	0698-7252	7		RESISTOR 4.64K 1% .05W F TC=0+-100	24546	C3-1/B-T0-4641-F
A11A1R58	0698-7188	8		RESISTOR 10 1% .05W F TC=0+-100	24546	C3-1/B-T0-10R-F
A11A1R59	0698-7188	8		RESISTOR 10 1% .05W F TC=0+-100	24546	C3-1/B-T0-10R-F
A11A1R60	0698-7848	7	1	RESISTOR 1.25K 1% .125W F TC=0+-25	19701	MF4C1/B-T9-1251-B
A11A1R61	0698-7933	1	1	RESISTOR 3.83K 1% .125W F TC=0+-25	19701	MF4C1/B-T9-3831-B
A11A1R62	2100-2674	3	3	RESISTOR-TRMR 500 10% C SIDE-ADJ 1-TRN	30983	ET50X501
A11A1R63	2100-2633	5	4	RESISTOR-TRMR 1K 10% C SIDE-ADJ 1-TRN	30983	ET50X102
A11A1R64	0757-0422	5		RESISTOR 909 1% .125W F TC=0+-100	24546	C4-1/B-T0-909R-F
A11A1R65	0757-0279	0		RESISTOR 3.16K 1% .125W F TC=0+-100	24546	C4-1/B-T0-3161-F
A11A1R66	0698-7257	2		RESISTOR 7.5K 1% .05W F TC=0+-100	24546	C3-1/B-T0-7501-F
A11A1R67	0698-7256	1		RESISTOR 6.81K 1% .05W F TC=0+-100	24546	C3-1/B-T0-6811-F
A11A1R68	0757-0470	3	1	RESISTOR 162K 1% .125W F TC=0+-100	24546	C4-1/B-T0-1623-F
A11A1R69	0698-7220	9	14	RESISTOR 215 1% .05W F TC=0+-100	24546	C3-1/B-T0-215R-F
A11A1R70	0698-7288	9		RESISTOR 147K 1% .05W F TC=0+-100	24546	C3-1/B-T0-1473-F
A11A1R71	2100-2633	5		RESISTOR-TRMR 1K 10% C SIDE-ADJ 1-TRN	30983	ET50X102
A11A1R72	0698-7262	9		RESISTOR 12.1K 1% .05W F TC=0+-100	24546	C3-1/B-T0-1212-F
A11A1R73	0698-7274	3	2	RESISTOR 38.3K 1% .05W F TC=0+-100	24546	C3-1/B-T0-3832-F
A11A1R74	2100-2516	3	1	RESISTOR-TRMR 100K 10% C SIDE-ADJ 1-TRN	32997	3329W-1-104
A11A1R75	0698-7263	0	3	RESISTOR 13.3K 1% .05W F TC=0+-100	24546	C3-1/B-T0-1332-F
A11A1R76	0698-7280	7		RESISTOR 10K 1% .05W F TC=0+-100	24546	C3-1/B-T0-1002-F
A11A1R77	0698-7231	2		RESISTOR 619 1% .05W F TC=0+-100	24546	C3-1/B-T0-619R-F
A11A1TP1	1251-0600	0		CONNECTOR-SGL CONT PIN 1,14-MM-BSC-SZ SQ	28480	1251-0600
A11A1TP2	1251-0600	0		CONNECTOR-SGL CONT PIN 1,14-MM-BSC-SZ SQ	28480	1251-0600
A11A1TP3	1251-0600	0		CONNECTOR-SGL CONT PIN 1,14-MM-BSC-SZ SQ	28480	1251-0600
A11A1TP4	1251-0600	0		CONNECTOR-SGL CONT PIN 1,14-MM-BSC-SZ SQ	28480	1251-0600
A11A1TP5	1251-0600	0		CONNECTOR-SGL CONT PIN 1,14-MM-BSC-SZ SQ	28480	1251-0600

† Refer to Section 7 for update information.

* Factory Selected Component (Refer to Section 5.)

Table 6-3. Replaceable Parts

Reference Designation	HP Part Number	C D	Qty.	Description	Mfr. Code	Mfr. Part Number
A11A1TP6	1251-0600	0		CONNECTOR-SGL CONT PIN 1,14-MM-BSC-SZ SQ	28480	1251-0600
A11A1TP7	1251-0600	0		CONNECTOR-SGL CONT PIN 1,14-MM-BSC-SZ SQ	28480	1251-0600
A11A1TP8	1251-0600	0		CONNECTOR-SGL CONT PIN 1,14-MM-BSC-SZ SQ	28480	1251-0600
A11A1U1	1826-0188	1		IC OP AMP WB TO-99 PKG	27014	LM218H
A11A1U2	1826-0188	8	2	IC CONV B-B-D/A 16-DIP-C PKG	04713	MC1408L-8
A11A1U3	1820-1244	7		IC MUXR/DATA-SEL TTL LS 4-TO-1-LINE DUAL	01295	SN74LS153N
A11A1U4	1820-1279	8	4	IC CNTR TTL LS DECD UP/DOWN SYNCHRO	01295	SN74LS190N
A11A1U5	1820-1279	8		IC CNTR TTL LS DECD UP/DOWN SYNCHRO	01295	SN74LS190N
A11A1U6	1826-0973	8	1	IC 8-DIP-C PKG	52063	XR-2209CN
A11A1U7	1820-1858	8	2	IC FF TTL LS D-TYPE OCTL	01295	SN74LS377N
A11A1U8	1826-0716	8	2	IC OP AMP LOW-NOISE DUAL 8-DIP-C PKG	18324	NE5532AFE
A11A1U9	1826-0716	8		IC OP AMP LOW-NOISE DUAL 8-DIP-C PKG	18324	NE5532AFE
A11A1U10	08663-80004	5	1	EPROM 1816-1160	28480	08663-80004
A11A1U11	1820-1279	8		IC CNTR TTL LS DECD UP/DOWN SYNCHRO	01295	SN74LS190N
A11A1U12	1820-1279	8		IC CNTR TTL LS DECD UP/DOWN SYNCHRO	01295	SN74LS190N
A11A1U13	1820-1144	6	2	IC GATE TTL LS NOR QUAD 2-INP	01295	SN74LS02N
A11A1U14	1820-1858	8		IC FF TTL LS D-TYPE OCTL	01295	SN74LS377N
A11A1U15	1820-1208	3	1	IC GATE TTL LS OR QUAD 2-INP	01295	SN74LS32N
A11A1U16	1826-0188	8		IC CONV B-B-D/A 16-DIP-C PKG	04713	MC1408L-8
A11A1U17	1826-0809	8	1	IC MULTIPLXR ANLG 16-DIP-C PKG	08855	MUX08FQ
A11A1U18	1826-0753	3	2	IC OP AMP LOW-BIAS-H-IMPQ QUAD 14-DIP-C	04713	MC34004BL
A11A1U19	1826-0191	3	3	IC COMPARATOR GP DUAL TO-100 PKG	27014	LM318H
A11A1U20	1826-0753	3		IC OP AMP LOW-BIAS-H-IMPQ QUAD 14-DIP-C	04713	MC34004BL
A11A1U21	1820-1201	6	2	IC GATE TTL LS AND QUAD 2-INP	01295	SN74LS08N
A11A1U22	1820-1991	1	1	IC CNTR TTL LS DECD DUAL 4-BIT	01295	SN74LS390N
A11A1U23	1820-1194	6	3	IC CNTR TTL LS BIN UP/DOWN SYNCHRO	01295	SN74LS193N
A11A1U24	1820-1194	6		IC CNTR TTL LS BIN UP/DOWN SYNCHRO	01295	SN74LS193N
A11A1U25	1820-1194	6		IC CNTR TTL LS BIN UP/DOWN SYNCHRO	01295	SN74LS193N
A11A1U26	1820-1422	3		IC MV TTL LS MONOSTBL RETRIG	01295	SN74LS122N
A11A1U27	1820-0630	3	2	IC MISC TTL	04713	MC4044P
A11A1U28	1826-0785	1	1	IC OP AMP LOW-BIAS-H-IMPQ DUAL 8-DIP-C	01295	TL072AQJG
A11A1VR1	1902-0952	6	1	DIODE-ZNR 5.6V 5% DO-35 PD=,4W TC=+,046%	28480	1902-0952
A11A1VR2	1902-0958	2	3	DIODE-ZNR 10V 5% DO-35 PD=,4W TC=+,075%	28480	1902-0958
A11A1VR3	1902-0951	5	1	DIODE-ZNR 5.1V 5% DO-35 PD=,4W TC=+,035%	28480	1902-0951

† Refer to Section 7 for update information.

* Factory Selected Component (Refer to Section 5.)

Table 6-3. Replaceable Parts

Reference Designation	HP Part Number	C D	Qty.	Description	Mfr. Code	Mfr. Part Number
A11A2						
A11A2	08663-60343	3	1	FM VCO ASSEMBLY	28480	08663-60343
A11A2C1	0160-3877	5		CAPACITOR-FXD 100PF +-20% 200VDC CER	28480	0160-3877
A11A2C2	0160-2617	1		CAPACITOR-FXD 6.8UF+-10% 35VDC TA	25088	D6R8GS1B35K
A11A2C3	0160-2617	1		CAPACITOR-FXD 6.8UF+-10% 35VDC TA	25088	D6R8GS1B35K
A11A2C4	0160-0576	4		CAPACITOR-FXD .047UF +-20% 50VDC CER	28480	0160-0576
A11A2C5	0160-3879	7		CAPACITOR-FXD .01UF +-20% 100VDC CER	28480	0160-3879
A11A2C6	0160-3878	6		CAPACITOR-FXD 1000PF +-20% 100VDC CER	28480	0160-3878
A11A2C7	0160-0575	4		CAPACITOR-FXD .047UF +-20% 50VDC CER	28480	0160-0575
A11A2C8	0160-2697	7		CAPACITOR-FXD 10UF+-10% 25VDC TA	28480	0160-2697
A11A2C9	0160-2697	7		CAPACITOR-FXD 10UF+-10% 25VDC TA	28480	0160-2697
A11A2C10	0160-3878	6		CAPACITOR-FXD 1000PF +-20% 100VDC CER	28480	0160-3878
A11A2C11	0160-3878	6		CAPACITOR-FXD 1000PF +-20% 100VDC CER	28480	0160-3878
A11A2C12	0160-2617	1		CAPACITOR-FXD 6.8UF+-10% 35VDC TA	25088	D6R8GS1B35K
A11A2C13	0160-2257	3		CAPACITOR-FXD 10PF +-5% 500VDC CER 0+-60	28480	0160-2257
A11A2C14	0160-3879	7		CAPACITOR-FXD .01UF +-20% 100VDC CER	28480	0160-3879
A11A2C15	0160-4365	8		CAPACITOR-FXD 470PF +-5% 100VDC CER	28480	0160-4365
A11A2C16	0160-4548	9	1	CAPACITOR-FXD 82PF +-1% 50VDC PORC	28480	0160-4548
A11A2C17	0160-3431	7	1	CAPACITOR-FXD 6.8PF +-5PF 500VDC CER	28480	0160-3431
A11A2C18	0121-0493	3	1	CAPACITOR-V TRMR-AIR 1.7-11PF 175V	74970	187-0306-125
A11A2C19	0160-3877	5		CAPACITOR-FXD 100PF +-20% 200VDC CER	28480	0160-3877
A11A2C20	0160-3878	6		CAPACITOR-FXD 1000PF +-20% 100VDC CER	28480	0160-3878
A11A2C21	0160-3878	6		CAPACITOR-FXD 1000PF +-20% 100VDC CER	28480	0160-3878
A11A2C22	0160-3878	6		CAPACITOR-FXD 1000PF +-20% 100VDC CER	28480	0160-3878
A11A2C23	0160-3878	6		CAPACITOR-FXD 1000PF +-20% 100VDC CER	28480	0160-3878
A11A2C24	0160-4767	4		CAPACITOR-FXD 20PF +-5% 200VDC CER 0+-30	28480	0160-4767
A11A2C25	0160-3879	7		CAPACITOR-FXD .01UF +-20% 100VDC CER	28480	0160-3879
A11A2C26	0160-3877	5		CAPACITOR-FXD 100PF +-20% 200VDC CER	28480	0160-3877
A11A2C27	0160-4103	2		CAPACITOR-FXD 220PF +-5% 100VDC CER	72982	B121-M100-COG-221J
A11A2C28	0160-4767	4		CAPACITOR-FXD 20PF +-5% 200VDC CER 0+-30	28480	0160-4767
A11A2CR1	1901-0040	1		DIODE-SWITCHING 30V 50MA 2NS DO-35	28480	1901-0040
A11A2CR2	1901-0040	1		DIODE-SWITCHING 30V 50MA 2NS DO-35	28480	1901-0040
A11A2CR3	1901-0040	1		DIODE-SWITCHING 30V 50MA 2NS DO-35	28480	1901-0040
A11A2CR4	1901-0040	1		DIODE-SWITCHING 30V 50MA 2NS DO-35	28480	1901-0040
A11A2CR5	1901-0040	1		DIODE-SWITCHING 30V 50MA 2NS DO-35	28480	1901-0040
A11A2CR6	1901-0040	1		DIODE-SWITCHING 30V 50MA 2NS DO-35	28480	1901-0040
A11A2CR7	1901-0040	1		DIODE-SWITCHING 30V 50MA 2NS DO-35	28480	1901-0040
A11A2CR8	1901-0040	1		DIODE-SWITCHING 30V 50MA 2NS DO-35	28480	1901-0040
223A TO 2419A A11A2CR9	0122-0065	7		DIODE-VVC 29PF 3%	28480	0122-0065
2411A AND ABOVE A11A2CR9	0122-0162	5		DVVC 29PF 5.0CR	28480	0122-0162
A11A2CR10	1901-1034	5	1	DIODE-STABISTOR 80V DO-34	03508	MPD400
A11A2DS1	1990-0326	3		LED-LAMP LUM-INT=300UCD IF=50MA-MAX	28480	5082-4444
A11A2J1	1250-1220	0		CONNECTOR-RF SMC M PC 50-OHM	28480	1250-1220
	2190-0124	4		WASHER-LK INTL T NO. 10 .195-IN-ID	28480	2190-0124
	2950-0078	3		NUT-HEX-DBL-CHAM 10-32-THD .087-IN-THK	28480	2950-0078

† Refer to Section 7 for update information.

* Factory Selected Component (Refer to Section 5.)

Table 4-3. Replaceable Parts

A11A2L1	9140-0142	8		INDUCTOR RF-CH-MLD 2.2UH 10% .105DX.26LG	28480	9140-0142
A11A2L2	9140-0142	8		INDUCTOR RF-CH-MLD 2.2UH 10% .105DX.26LG	28480	9140-0142
A11A2L3	08662-00163	8	1	INDUCTOR	28480	08662-00163
A11A2L4	9100-0348	0	1	INDUCTOR RF-CH-MLD 50NH 20% .105DX.26LG	28480	9100-0348
A11A2L5	9100-2252	1	2	INDUCTOR RF-CH-MLD 270NH 10% .105DX.26LG	28480	9100-2252
A11A2L6	9100-2252	1		INDUCTOR RF-CH-MLD 270NH 10% .105DX.26LG	28480	9100-2252
A11A2MP1	08663-00066	1	1	COVER-EXTRUSION A11-A2	28480	08663-00066
A11A2MP1	2360-0113	2		SCREW-MACH 6-32 .25-IN-LG PAN-HD-POZI	00000	ORDER BY DESCRIPTION
A11A2MP2	5001-0176	0		GROUND STRAP	28480	5001-0176
A11A2MP3	5001-0176	0		GROUND STRAP	28480	5001-0176
A11A2MP4	08662-00135	4	1	SHIELD-FM VCO	28480	08662-00135
A11A2Q1	1855-0235	7	2	TRANSISTOR J-FET N-CHAN D-MODE TO-52 SI	28480	1855-0235
A11A2Q2	1855-0235	7		TRANSISTOR J-FET N-CHAN D-MODE TO-52 SI	28480	1855-0235
A11A2Q3	1854-0404	0		TRANSISTOR NPN SI TO-18 PD=360MW	28480	1854-0404
A11A2Q4	1854-0404	0		TRANSISTOR NPN SI TO-18 PD=360MW	28480	1854-0404
A11A2Q5	1854-0404	0		TRANSISTOR NPN SI TO-18 PD=360MW	28480	1854-0404
A11A2Q6	1855-0020	8		TRANSISTOR J-FET N-CHAN D-MODE TO-18 SI	28480	1855-0020
A11A2Q7	1855-0020	8		TRANSISTOR J-FET N-CHAN D-MODE TO-18 SI	28480	1855-0020
A11A2R1	0698-7219	6		RESISTOR 198 1% .05W F TC=0+-100	24546	C3-1/8-TO-198R-F
A11A2R2	0698-7212	9		RESISTOR 100 1% .05W F TC=0+-100	24546	C3-1/8-TO-100R-F
A11A2R3	0698-7224	3		RESISTOR 318 1% .05W F TC=0+-100	24546	C3-1/8-TO-318R-F
A11A2R4*	0698-7254	9	3	RESISTOR 5.62K 1% .05W F TC=0+-100	24546	C3-1/8-TO-5621-F
A11A2R5	0698-7236	7		RESISTOR 1K 1% .05W F TC=0+-100	24546	C3-1/8-TO-1001-F
A11A2R6	0698-8827	4	4	RESISTOR 1M 1% .125W F TC=0+-100	28480	0698-8827
A11A2R7*	0698-7251	6		RESISTOR 4.22K 1% .05W F TC=0+-100	02995	5063J
A11A2R8	0698-7257	2		RESISTOR 7.5K 1% .05W F TC=0+-100	24546	C3-1/8-TO-7501-F
A11A2R9	2100-2633	5		RESISTOR-TRMR 1K 10% C SIDE-ADJ 1-TRN	30983	ET50X102
A11A2R10	0698-8827	4		RESISTOR 1M 1% .125W F TC=0+-100	28480	0698-8827
A11A2R11	0698-7264	1		RESISTOR 14.7K 1% .05W F TC=0+-100	24546	C3-1/8-TO-1472-F
A11A2R12	0698-7263	0		RESISTOR 13.3K 1% .05W F TC=0+-100	24546	C3-1/8-TO-1332-F
A11A2R13	0698-0082	7		RESISTOR 464 1% .125W F TC=0+-100	24546	C4-1/8-TO-4640-F
A11A2R14	0698-0082	7		RESISTOR 464 1% .125W F TC=0+-100	24546	C4-1/8-TO-4640-F
A11A2R15	0698-7239	0		RESISTOR 1.33K 1% .05W F TC=0+-100	24546	C3-1/8-TO-1331-F
A11A2R16	0698-7254	9		RESISTOR 5.62K 1% .05W F TC=0+-100	24546	C3-1/8-TO-5621-F
A11A2R17	0698-7265	2		RESISTOR 16.2K 1% .05W F TC=0+-100	24546	C3-1/8-TO-1622-F
A11A2R18	2100-2574	3		RESISTOR-TRMR 500 10% C SIDE-ADJ 1-TRN	30983	ET50X501
A11A2R19	0698-7245	8		RESISTOR 2.37K 1% .05W F TC=0+-100	24546	C3-1/8-TO-2371-F
A11A2R20	0698-7236	7		RESISTOR 1K 1% .05W F TC=0+-100	24546	C3-1/8-TO-1001-F
A11A2R25	0698-7228	7		RESISTOR 464 1% .05W F TC=0+-100	24546	C3-1/8-TO-464R-F
A11A2R26	0698-7248	1	15	RESISTOR 3.16K 1% .05W F TC=0+-100	24546	C3-1/8-TO-3161-F
A11A2R27	0698-7204	9		RESISTOR 46.4 1% .05W F TC=0+-100	24546	C3-1/8-TO-46R4-F
A11A2R28	0698-7204	9		RESISTOR 46.4 1% .05W F TC=0+-100	24546	C3-1/8-TO-46R4-F
A11A2R29*	0698-0085	0	10	RESISTOR 2.61K 1% .125W F TC=0+-100	24546	C4-1/8-TO-2611-F

Table 6-3. Replaceable Parts

Reference Designation	HP Part Number	C D	Qty.	Description	Mfr. Code	Mfr. Part Number
A11A2R30	0698-7204	9		RESISTOR 46.4 1% .05W F TC=0+-100	24546	C3-1/B-TO-46R4-F
A11A2R31	0698-7232	3		RESISTOR 681 1% .05W F TC=0+-100	24546	C3-1/B-TO-681R-F
A11A2R32*	0757-1094	9	7	RESISTOR 1.47K 1% .125W F TC=0+-100	24546	C4-1/B-TO-1471-F
A11A2R33	0698-7200	5		RESISTOR 31.6 1% .05W F TC=0+-100	24546	C3-1/B-TO-31R6-F
A11A2R35	0698-7240	3		RESISTOR 1.47K 1% .05W F TC=0+-100	24546	C3-1/B-TO-1471-F
A11A2R36	0898-7240	3		RESISTOR 1.47K 1% .05W F TC=0+-100	24546	C3-1/B-TO-1471-F
A11A2R37	0698-7212	9		RESISTOR 100 1% .05W F TC=0+-100	24546	C3-1/B-TO-100R-F
A11A2R38	0698-7260	7		RESISTOR 10K 1% .05W F TC=0+-100	24546	C3-1/B-TO-1002-F
A11A2R39	0698-7284	5		RESISTOR 100K 1% .05W F TC=0+-100	24546	C3-1/B-TO-1003-F
A11A2R40	0698-7277	6		RESISTOR 51.1K 1% .05W F TC=0+-100	24546	C3-1/B-TO-5112-F
A11A2R41	0698-7268	5		RESISTOR 21.5K 1% .05W F TC=0+-100	24546	C3-1/B-TO-2152-F
A11A2R42	0698-7248	1		RESISTOR 3.16K 1% .05W F TC=0+-100	24546	C3-1/B-TO-3161-F
A11A2R43	0698-7260	7		RESISTOR 10K 1% .05W F TC=0+-100	24546	C3-1/B-TO-1002-F
A11A2R44	0698-7208	3	1	RESISTOR 68.1 1% .05W F TC=0+-100	24546	C3-1/B-TO-68R1-F
A11A2R45	0757-0317	7		RESISTOR 1.33K 1% .125W F TC=0+-100	24546	C4-1/B-TO-1331-F
A11A2R46	0698-7248	1		RESISTOR 3.16K 1% .05W F TC=0+-100	24546	C3-1/B-TO-3161-F
A11A2R47	0698-3447	4		RESISTOR 422 1% .125W F TC=0+-100	24546	C4-1/B-TO-422R-F
A11A2R48	0698-3446	3		RESISTOR 393 1% .125W F TC=0+-100	24546	C4-1/B-TO-393R-F
A11A2R49	0698-3446	3		RESISTOR 393 1% .125W F TC=0+-100	24546	C4-1/B-TO-393R-F
A11A2R50	0698-7216	3		RESISTOR 147 1% .05W F TC=0+-100	24546	C3-1/B-TO-147R-F
A11A2R51	0698-7205	0		RESISTOR 51.1 1% .05W F TC=0+-100	24546	C3-1/B-TO-51R1-F
A11A2R52	0698-7212	9		RESISTOR 100 1% .05W F TC=0+-100	24546	C3-1/B-TO-100R-F
A11A2R53	0698-7223	2		RESISTOR 287 1% .05W F TC=0+-100	24546	C3-1/B-TO-287R-F
A11A2R54	0698-7194	6		RESISTOR 17.8 1% .05W F TC=0+-100	24546	C3-1/B-TO-17R8-F
A11A2R55	0698-7223	2		RESISTOR 287 1% .05W F TC=0+-100	24546	C3-1/B-TO-287R-F
A11A2R56*	0698-7227	6	6	RESISTOR 422 1% .05W F TC=0+-100	24546	C3-1/B-TO-422R-F
A11A2R57*	0698-7190	2	8	RESISTOR 12.1 1% .05W F TC=0+-100	24546	C3-1/B-TO-12R1-F
A11A2R58*	0698-7227	6		RESISTOR 422 1% .05W F TC=0+-100	24546	C3-1/B-TO-422R-F
A11A2TP1	1251-0600	0		CONNECTOR-SGL CONT PIN 1.14-MM-BSC-SZ SQ	28480	1251-0600
A11A2TP2	1251-0600	0		CONNECTOR-SGL CONT PIN 1.14-MM-BSC-SZ SQ	28480	1251-0600
A11A2TP3	1251-1556	7		CONNECTOR-SGL CONT SKT .018-IN-BSC-SZ	28480	1251-1556
A11A2U1	1826-0372	2		IC MISC 8-DIP-P PKG	28480	1826-0372
A11A2U2	0955-0095	8		MIXER FREQ: 1 TO 500MHZ; CONVERSION LOSS	28480	0955-0095
A11A2U3	1826-0191	3		IC COMPARTOR GP DUAL TO-100 PKG	27014	LM319H
A11A2VR1	1902-0041	4		DIODE-ZNR 5.11V 5% DO-35 PD=.4W	28480	1902-0041
A11A2VR2	1902-3082	9	2	DIODE-ZNR 4.64V 5% DO-35 PD=.4W	28480	1902-3082
A11A2VR3	1902-0041	4		DIODE-ZNR 5.11V 5% DO-35 PD=.4W	28480	1902-0041

† Refer to Section 7 for update information.

* Factory Selected Component (Refer to Section 5.)

6-191/
(6-192 blank)

Table 6-3. Replaceable Parts

Reference Designation	HP Part Number	C D	Qty.	Description	Mfr. Code	Mfr. Part Number
A11A3						
A11A3	08663-60322	8	1	PHASE MOD INPUT ASSEMBLY (OPT. 002 ONLY)	28480	08663-60322
A11A3C1	0180-2617	1		CAPACITOR-FXD 6.8UF+-10% 35VDC TA	25088	D6R8GS1B35K
A11A3C2	0180-2618	2		CAPACITOR-FXD 33UF+-10% 10VDC TA	25088	D33GS1B10K
A11A3C3	0180-2617	1		CAPACITOR-FXD 6.8UF+-10% 35VDC TA	25088	D6R8GS1B35K
A11A3C4	0180-2615	9	2	CAPACITOR-FXD 22UF+-20% 10VDC TA	28480	0180-2615
A11A3C5	0180-2615	9		CAPACITOR-FXD 22UF+-20% 10VDC TA	28480	0180-2615
A11A3C6	0160-3879	7		CAPACITOR-FXD .01UF +-20% 100VDC CER	28480	0160-3879
A11A3C7	0160-3879	7		CAPACITOR-FXD .01UF +-20% 100VDC CER	28480	0160-3879
A11A3C8	0121-0046	2	5	CAPACITOR-V TRMR-CER 9-35PF 200V PC-MTG	52763	304322 9/35PF N850
A11A3C9	0160-3879	7		CAPACITOR-FXD .01UF +-20% 100VDC CER	28480	0160-3879
A11A3C10	0180-2617	1		CAPACITOR-FXD 6.8UF+-10% 35VDC TA	25088	D6R8GS1B35K
A11A3C11	0180-2617	1		CAPACITOR-FXD 6.8UF+-10% 35VDC TA	25088	D6R8GS1B35K
A11A3C12	0180-2617	1		CAPACITOR-FXD 6.8UF+-10% 35VDC TA	25088	D6R8GS1B35K
A11A3C13	0160-0573	2		CAPACITOR-FXD 4700PF +-20% 100VDC CER	28480	0160-0573
A11A3CR1	1901-0033	2	15	DIODE-GEN PRP 180V 200MA DO-7	28480	1901-0033
A11A3CR2	1901-0033	2		DIODE-GEN PRP 180V 200MA DO-7	28480	1901-0033
A11A3CR3	1901-0033	2		DIODE-GEN PRP 180V 200MA DO-7	28480	1901-0033
A11A3CR4	1901-0033	2		DIODE-GEN PRP 180V 200MA DO-7	28480	1901-0033
A11A3CR5	1901-0033	2		DIODE-GEN PRP 180V 200MA DO-7	28480	1901-0033
A11A3CR6	1901-0033	2		DIODE-GEN PRP 180V 200MA DO-7	28480	1901-0033
A11A3CR7	1901-0033	2		DIODE-GEN PRP 180V 200MA DO-7	28480	1901-0033
A11A3CR8	1901-0033	2		DIODE-GEN PRP 180V 200MA DO-7	28480	1901-0033
A11A3CR9	1901-0033	2		DIODE-GEN PRP 180V 200MA DO-7	28480	1901-0033
A11A3CR10	1901-0033	2		DIODE-GEN PRP 180V 200MA DO-7	28480	1901-0033
A11A3CR11	1901-0033	2		DIODE-GEN PRP 180V 200MA DO-7	28480	1901-0033
A11A3CR12	1901-0033	2		DIODE-GEN PRP 180V 200MA DO-7	28480	1901-0033
A11A3CR13	1901-0033	2		DIODE-GEN PRP 180V 200MA DO-7	28480	1901-0033
A11A3CR14	1901-0033	2		DIODE-GEN PRP 180V 200MA DO-7	28480	1901-0033
A11A3CR15	1901-0033	2		DIODE-GEN PRP 180V 200MA DO-7	28480	1901-0033
A11A3J1	1250-1220	0		CONNECTOR-RF SMC M PC 50-OHM	28480	1250-1220
	2190-0124	4		WASHER-LK INTL T NO. 10 .195-IN-ID	28480	2190-0124
	2950-0078	9		NUT-HEX-DBL-CHAM 10-32-THD .087-IN-THK	28480	2950-0078
A11A3J2	1250-1220	0		CONNECTOR-RF SMC M PC 50-OHM	28480	1250-1220
	2190-0124	4		WASHER-LK INTL T NO. 10 .195-IN-ID	28480	2190-0124
	2950-0078	9		NUT-HEX-DBL-CHAM 10-32-THD .087-IN-THK	28480	2950-0078
A11A3J3	1250-1220	0		CONNECTOR-RF SMC M PC 50-OHM	28480	1250-1220
	2190-0124	4		WASHER-LK INTL T NO. 10 .195-IN-ID	28480	2190-0124
	2950-0078	9		NUT-HEX-DBL-CHAM 10-32-THD .087-IN-THK	28480	2950-0078
A11A3K1	0490-0916	6	4	RELAY-REED 1A 500MA 100VDC 5VDC-COIL	28480	0490-0916
A11A3K2	0490-0916	6		RELAY-REED 1A 500MA 100VDC 5VDC-COIL	28480	0490-0916
2234A TO 2510A A11A3K3	0490-1013	6	5	RELAY-REED 1C 250MA 28VDC 5VDC-COIL 3VA	28480	0490-1013
2513A AND ABOVE A11A3K3	0490-1423	2	5	RELAY-REED 1C 250MA 28VDC 5VDC-COIL 3VA	28480	0490-1423
A11A3K4	0490-0916	6		RELAY-REED 1A 500MA 100VDC 5VDC-COIL	28480	0490-0916
2234A TO 2510A A11A3K7	0490-1013	6		RELAY-REED 1C 250MA 28VDC 5VDC-COIL 3VA	28480	0490-1013
2513A AND ABOVE A11A3K7	0490-1423	2		RELAY-REED 1C 250MA 28VDC 5VDC-COIL 3VA	28480	0490-1423
A11A3K8	0490-0670	9	12	RELAY 2C 5VDC-COIL 1A 28VDC	28480	0490-0670
	0340-0440	4	11	INSULATOR-IC NYLON WHITE	28480	0340-0440
A11A3K9	0490-0670	9		RELAY 2C 5VDC-COIL 1A 28VDC	28480	0490-0670
	0340-0440	4		INSULATOR-IC NYLON WHITE	28480	0340-0440
A11A3K10	0490-0670	9		RELAY 2C 5VDC-COIL 1A 28VDC	28480	0490-0670
	0340-0440	4		INSULATOR-IC NYLON WHITE	28480	0340-0440

† Refer to Section 7 for update information.

* Factory Selected Component (Refer to Section 5.)

Table 6-3. Replaceable Parts

Reference Designation	HP Part Number	C D	Qty.	Description	Mfr. Code	Mfr. Part Number
A11A3K11	0490-0670	9		RELAY 2C 5VDC-COIL 1A 28VDC	28480	0490-0670
	0340-0440	4		INSULATOR-IC NYLON WHITE	28480	0340-0440
A11A3K12	0490-0670	9		RELAY 2C 5VDC-COIL 1A 28VDC	28480	0490-0670
	0340-0440	4		INSULATOR-IC NYLON WHITE	28480	0340-0440
A11A3K13	0490-0670	9		RELAY 2C 5VDC-COIL 1A 28VDC	28480	0490-0670
	0340-0440	4		INSULATOR-IC NYLON WHITE	28480	0340-0440
A11A3K14	0490-0670	9		RELAY 2C 5VDC-COIL 1A 28VDC	28480	0490-0670
	0340-0440	4		INSULATOR-IC NYLON WHITE	28480	0340-0440
A11A3K15	0490-0670	9		RELAY 2C 5VDC-COIL 1A 28VDC	28480	0490-0670
	0340-0440	4		INSULATOR-IC NYLON WHITE	28480	0340-0440
A11A3K16	0490-0670	9		RELAY 2C 5VDC-COIL 1A 28VDC	28480	0490-0670
A11A3K17	0490-0916	6		RELAY-REED 1A 500MA 100VDC 5VDC-COIL	28480	0490-0916
A11A3L1	9140-0142	8		INDUCTOR RF-CH-MLD 2.2UH 10% .105DX.26LG	28480	9140-0142
A11A3MP1	08663-00051	4	1	COVER, 2/3 PHASE MOD.	28480	08663-00051
	2380-0113	2		SCREW-MACH 6-32 .25-IN-LG PAN-HD-POZI	00000	ORDER BY DESCRIPTION
A11A3Q1	1854-0721	4	3	TRANSISTOR NPN SI TC-39 PD=1.5W	25403	BFR 95
A11A3Q2	1854-0477	7		TRANSISTOR NPN 2N2222A SI TC-18 PD=500MW	04713	2N2222A
A11A3Q3	1854-0477	7		TRANSISTOR NPN 2N2222A SI TC-18 PD=500MW	04713	2N2222A
A11A3Q4	1854-0721	4		TRANSISTOR NPN SI TC-39 PD=1.5W	25403	BFR 95
A11A3Q5	1854-0477	7		TRANSISTOR NPN 2N2222A SI TC-18 PD=500MW	04713	2N2222A
A11A3Q6	1854-0477	7		TRANSISTOR NPN 2N2222A SI TC-18 PD=500MW	04713	2N2222A
A11A3Q7	1854-0477	7		TRANSISTOR NPN 2N2222A SI TC-18 PD=500MW	04713	2N2222A
A11A3Q8	1854-0477	7		TRANSISTOR NPN 2N2222A SI TC-18 PD=500MW	04713	2N2222A
A11A3Q9	1854-0477	7		TRANSISTOR NPN 2N2222A SI TC-18 PD=500MW	04713	2N2222A
A11A3Q10	1854-0477	7		TRANSISTOR NPN 2N2222A SI TC-18 PD=500MW	04713	2N2222A
A11A3Q11	1854-0477	7		TRANSISTOR NPN 2N2222A SI TC-18 PD=500MW	04713	2N2222A
A11A3Q12	1854-0477	7		TRANSISTOR NPN 2N2222A SI TC-18 PD=500MW	04713	2N2222A
A11A3Q13	1854-0477	7		TRANSISTOR NPN 2N2222A SI TC-18 PD=500MW	04713	2N2222A
A11A3R1	0757-0346	2		RESISTOR 10 1% .125W F TC=0+-100	24546	C4-1/8-T0-10R0-F
A11A3R2	0757-0346	2		RESISTOR 10 1% .125W F TC=0+-100	24546	C4-1/8-T0-10R0-F
A11A3R3	2100-2632	4	2	RESISTOR-TRMR 100 10% C SIDE-ADJ 1-TRN	30983	ET50X101
A11A3R4	0698-7234	5		RESISTOR 825 1% .05W F TC=0+-100	24546	C3-1/8-T0-825R-F
A11A3R5	2100-2574	3		RESISTOR-TRMR 500 10% C SIDE-ADJ 1-TRN	30983	ET50X501
A11A3R6	0698-7248	1		RESISTOR 3.16K 1% .05W F TC=0+-100	24546	C3-1/8-T0-3161-F
A11A3R7	0698-7207	2		RESISTOR 61.9 1% .05W F TC=0+-100	24546	C3-1/8-T0-61R9-F
A11A3R8	0698-7221	0		RESISTOR 237 1% .05W F TC=0+-100	24546	C3-1/8-T0-237R-F
A11A3R9	0698-7193	5	1	RESISTOR 16.2 1% .05W F TC=0+-100	24546	C3-1/8-T0-16R2-F
A11A3R10	0698-7207	2		RESISTOR 61.9 1% .05W F TC=0+-100	24546	C3-1/8-T0-61R9-F
A11A3R11	0698-7246	9		RESISTOR 2.61K 1% .05W F TC=0+-100	24546	C3-1/8-T0-2611-F
A11A3R12	0698-7248	1		RESISTOR 3.16K 1% .05W F TC=0+-100	24546	C3-1/8-T0-3161-F
A11A3R13	0698-7170	8	2	RESISTOR 70.832 .1% .125W F TC=0+-25	28480	0698-7170
A11A3R14	0698-4414	7	1	RESISTOR 158 1% .125W F TC=0+-100	24546	C4-1/8-T0-158R-F
A11A3R15	0698-7170	8		RESISTOR 70.832 .1% .125W F TC=0+-25	28480	0698-7170
A11A3R16	0698-7248	1		RESISTOR 3.16K 1% .05W F TC=0+-100	24546	C3-1/8-T0-3161-F
A11A3R17	0698-8806	5	2	RESISTOR 119.3 .25% .125W F TC=0+-25	28480	0698-8806
A11A3R18	0698-7229	8		RESISTOR 511 1% .05W F TC=0+-100	24546	C3-1/8-T0-511R-F
A11A3R19	0698-5822	3	1	RESISTOR 53.6 .5% .125W F TC=0+-100	28480	0698-5822
A11A3R20	2100-2413	9	1	RESISTOR-TRMR 200 10% C SIDE-ADJ 1-TRN	30983	ET50X201

† Refer to Section 7 for update information.

* Factory Selected Component (Refer to Section 5.)

Table 6-3. Replaceable Parts

Reference Designation	HP Part Number	C D	Qty.	Description	Mfr. Code	Mfr. Part Number
A11A3R21	0698-8806	5		RESISTOR 119.3 .25% .125W F TC=0+-25	28480	0698-8806
A11A3R22	0698-7248	1		RESISTOR 3.16K 1% .05W F TC=0+-100	24546	C3-1/B-T0-3161-F
A11A3R23	0698-7220	9		RESISTOR 215 1% .05W F TC=0+-100	24546	C3-1/B-T0-215R-F
A11A3R24	0698-7189	9	5	RESISTOR 11 1% .05W F TC=0+-100	24546	C3-1/B-T0-11R0-F
A11A3R25	0698-7189	8		RESISTOR 10 1% .05W F TC=0+-100	24546	C3-1/B-T0-10R-F
A11A3R26	0698-7189	8		RESISTOR 10 1% .05W F TC=0+-100	24546	C3-1/B-T0-10R-F
A11A3R27	0698-7189	9		RESISTOR 11 1% .05W F TC=0+-100	24546	C3-1/B-T0-11R0-F
A11A3R28	0698-3446	3		RESISTOR 383 1% .125W F TC=0+-100	24546	C4-1/B-T0-383R-F
A11A3R29	0698-7191	3	1	RESISTOR 13.3 1% .05W F TC=0+-100	24546	C3-1/B-T0-16R3-F
A11A3R30	0698-7209	4		RESISTOR 75 1% .05W F TC=0+-100	24546	C3-1/B-T0-75R0-F
A11A3R31	0698-7220	9		RESISTOR 215 1% .05W F TC=0+-100	24546	C3-1/B-T0-215R-F
A11A3R32	0698-7189	9		RESISTOR 11 1% .05W F TC=0+-100	24546	C3-1/B-T0-11R0-F
A11A3R33	0698-7238	9		RESISTOR 1.21K 1% .05W F TC=0+-100	24546	C3-1/B-T0-1211-F
A11A3R34	0757-0814	9	2	RESISTOR 511 1% .5W F TC=0+-100	28480	0757-0814
A11A3R35	0698-3431	6	1	RESISTOR 23.7 1% .125W F TC=0+-100	03898	PME65-1/B-T0-23R7-F
A11A3R36	0757-0814	9		RESISTOR 511 1% .5W F TC=0+-100	28480	0757-0814
A11A3R37	0698-7248	1		RESISTOR 3.16K 1% .05W F TC=0+-100	24546	C3-1/B-T0-3161-F
A11A3R38	0698-7205	0		RESISTOR 51.1 1% .05W F TC=0+-100	24546	C3-1/B-T0-51R1-F
A11A3R38	0698-7187	9	3	RESISTOR 23.7 1% .05W F TC=0+-100	24546	C3-1/B-T0-23R7-F
A11A3R40	0698-7227	6		RESISTOR 422 1% .05W F TC=0+-100	24546	C3-1/B-T0-422R-F
A11A3R41	0698-7190	2		RESISTOR 12.1 1% .05W F TC=0+-100	24546	C3-1/B-T0-12R1-F
A11A3R42	0698-7197	9		RESISTOR 23.7 1% .05W F TC=0+-100	24546	C3-1/B-T0-23R7-F
A11A3R43	0698-7227	6		RESISTOR 422 1% .05W F TC=0+-100	24546	C3-1/B-T0-422R-F
A11A3R44	0698-7248	1		RESISTOR 3.16K 1% .05W F TC=0+-100	24546	C3-1/B-T0-3161-F
A11A3R45	0698-7205	0		RESISTOR 51.1 1% .05W F TC=0+-100	24546	C3-1/B-T0-51R1-F
A11A3R46	0698-7266	3		RESISTOR 17.8K 1% .05W F TC=0+-100	24546	C3-1/B-T0-1782-F
A11A3R47	0698-7201	6		RESISTOR 34.8 1% .05W F TC=0+-100	24546	C3-1/B-T0-34R8-F
A11A3R48	2100-2633	5		RESISTOR-YRMR 1K 10% C SIDE-ADJ 1-TRN	30993	ET50X102
A11A3R49	0698-7227	6		RESISTOR 422 1% .05W F TC=0+-100	24546	C3-1/B-T0-422R-F
A11A3R50	0698-7207	2		RESISTOR 61.9 1% .05W F TC=0+-100	24546	C3-1/B-T0-61R9-F
A11A3R51	0698-7234	5		RESISTOR 825 1% .05W F TC=0+-100	24546	C3-1/B-T0-825R-F
A11A3R52	0698-9821	9		RESISTOR 6.82 1% .125W F TC=0+-100	28480	0698-9821
A11A3R53	0698-7207	2		RESISTOR 61.9 1% .05W F TC=0+-100	24546	C3-1/B-T0-61R9-F
A11A3R54	0698-7234	5		RESISTOR 825 1% .05W F TC=0+-100	24546	C3-1/B-T0-825R-F
A11A3R55	0698-7248	1		RESISTOR 3.16K 1% .05W F TC=0+-100	24546	C3-1/B-T0-3161-F
A11A3R56	0698-7268	5		RESISTOR 21.5K 1% .05W F TC=0+-100	24546	C3-1/B-T0-2152-F
A11A3R57	0698-7268	5		RESISTOR 21.5K 1% .05W F TC=0+-100	24546	C3-1/B-T0-2152-F
A11A3R58	0698-7237	8		RESISTOR 1.1K 1% .05W F TC=0+-100	24546	C3-1/B-T0-1101-F
A11A3R59	0698-7189	9		RESISTOR 11 1% .05W F TC=0+-100	24546	C3-1/B-T0-11R0-F
A11A3R60	0698-8820	7		RESISTOR 4.64 1% .125W F TC=0+-100	28480	0698-8820
A11A3R61	0698-7237	8		RESISTOR 1.1K 1% .05W F TC=0+-100	24546	C3-1/B-T0-1101-F
A11A3R62	0698-7189	9		RESISTOR 11 1% .05W F TC=0+-100	24546	C3-1/B-T0-11R0-F
A11A3R63	0698-7248	1		RESISTOR 3.16K 1% .05W F TC=0+-100	24546	C3-1/B-T0-3161-F
A11A3R64	0698-7244	7		RESISTOR 2.15K 1% .05W F TC=0+-100	24546	C3-1/B-T0-2151-F
A11A3R65	0698-7209	4		RESISTOR 75 1% .05W F TC=0+-100	24546	C3-1/B-T0-75R0-F
A11A3R65	0698-8816	1	1	RESISTOR 2.15 1% .125W F TC=0+-100	28480	0698-8816
A11A3R67	0698-7244	7		RESISTOR 2.15K 1% .05W F TC=0+-100	24546	C3-1/B-T0-2151-F
A11A3R68	0698-7209	4		RESISTOR 75 1% .05W F TC=0+-100	24546	C3-1/B-T0-75R0-F
A11A3R69	0698-7248	1		RESISTOR 3.16K 1% .05W F TC=0+-100	24546	C3-1/B-T0-3161-F
A11A3R70	0698-7220	9		RESISTOR 215 1% .05W F TC=0+-100	24546	C3-1/B-T0-215R-F

† Refer to Section 7 for update information.

* Factory Selected Component (Refer to Section 5.)

Table 6-3. Replaceable Parts

Reference Designation	HP Part Number	C D	Qty.	Description	Mfr. Code	Mfr. Part Number
A11A3R71	0698-7251	6	1	RESISTOR 4.22K 1% .05W F TC=0+-100	24546	C3-1/8-T0-4221-F
A11A3R72	0698-8813	8		RESISTOR 1.21 1% .125W F TC=0+-100	28480	0698-8813
A11A3R73	0698-7220	9		RESISTOR 215 1% .05W F TC=0+-100	24546	C3-1/8-T0-215R-F
A11A3R74	0698-7251	6		RESISTOR 4.22K 1% .05W F TC=0+-100	24546	C3-1/8-T0-4221-F
A11A3R75	0698-7248	1		RESISTOR 3.16K 1% .05W F TC=0+-100	24546	C3-1/8-T0-3161-F
A11A3R76	0698-7244	7	1	RESISTOR 2.15K 1% .05W F TC=0+-100	24546	C3-1/8-T0-2151-F
A11A3R77	0698-7209	4		RESISTOR 75 1% .05W F TC=0+-100	24546	C3-1/8-T0-75R0-F
A11A3R78	0698-7257	2		RESISTOR 7.5K 1% .05W F TC=0+-100	24546	C3-1/8-T0-7501-F
A11A3R79	0698-8817	2		RESISTOR 2.61 1% .125W F TC=0+-100	28480	0698-8817
A11A3R80	0698-7195	7		RESISTOR 19.6 1% .05W F TC=0+-100	24546	C3-1/8-T0-19R6-F
A11A3R81	0698-7190	2		RESISTOR 12.1 1% .05W F TC=0+-100	24546	C3-1/8-T0-12R1-F
A11A3R82	2100-2632	4	2	RESISTOR-TRMR 100 10% C SIDE-ADJ 1-TRN	30983	ET50X101
A11A3R83	0698-7215	2		RESISTOR 133 1% .05W F TC=0+-100	24546	C3-1/8-T0-133R-F
A11A3U1	1826-0488	1		IC OP AMP WB TQ-99 PKG	27014	LM218H
A11A3U2	1820-0321	9	1	IC COMPARATOR GP TQ-99 PKG	01295	SN72710L
A11A3U3	1820-0321	9		IC COMPARATOR GP TQ-99 PKG	01295	SN72710L
A11A3U4	1820-1423	4		IC MV TTL LS MONOSTBL RETRIG DUAL	01295	SN74LS123N
A11A3U5	1820-1200	5		IC INV TTL LS HEX	01295	SN74LS05N
A11A3VR1	1902-3139	7		DIODE-ZNR 9.25V 5% DO-35 PD=.4W	28480	1902-3139
A11A3VR2	1902-3070	5	DIODE-ZNR 4.22V 5% DO-35 PD=.4W	28480	1902-3070	

† Refer to Section 7 for update information.

* Factory Selected Component (Refer to Section 5.)

Table 6-3. Replaceable Parts

Reference Designation	HP Part Number	C D	Qty.	Description	Mfr. Code	Mfr. Part Number
A11A4						
A11A4	09663-60344	4	1	FM PHASE DETECTOR ASSEMBLY	26480	06663-60344
A11A4C1	0160-3879	7		CAPACITOR-FXD .01UF +-20% 100VDC CER	26480	0160-3879
A11A4C2	0180-0197	8		CAPACITOR-FXD 2.2UF+-10% 20VDC TA	56289	150D225X9020A2
A11A4C3	0160-3879	7		CAPACITOR-FXD .01UF +-20% 100VDC CER	26480	0160-3879
A11A4C4	0180-0291	3		CAPACITOR-FXD 1UF+-10% 35VDC TA	56289	150D105X9035A2
A11A4C5	0160-3879	7		CAPACITOR-FXD .01UF +-20% 100VDC CER	26480	0160-3879
A11A4C6	0180-2619	3		CAPACITOR-FXD 22UF+-10% 15VDC TA	25088	D22GS1B15K
A11A4C7	0160-3879	7		CAPACITOR-FXD .01UF +-20% 100VDC CER	26480	0160-3879
A11A4C8	0160-0571	0		CAPACITOR-FXD 470PF +-20% 100VDC CER	26480	0160-0571
A11A4C9	0160-0571	0		CAPACITOR-FXD 470PF +-20% 100VDC CER	26480	0160-0571
A11A4C10	0180-2698	8	1	CAPACITOR-FXD 4.7UF+-10% 35VDC TA	26480	0180-2698
A11A4C11	0180-2697	7		CAPACITOR-FXD 10UF+-10% 25VDC TA	26480	0180-2697
A11A4C12	0180-2697	7		CAPACITOR-FXD 10UF+-10% 25VDC TA	26480	0180-2697
A11A4C13	0160-3879	7		CAPACITOR-FXD .01UF +-20% 100VDC CER	26480	0160-3879
A11A4C14	0160-3879	7		CAPACITOR-FXD .01UF +-20% 100VDC CER	26480	0160-3879
A11A4C15	0160-3879	7		CAPACITOR-FXD .01UF +-20% 100VDC CER	26480	0160-3879
A11A4J1	1250-1220	0		CONNECTOR-RF SMC M PC 50-OHM	26480	1250-1220
	2190-0124	4		WASHER-LK INTL T NO. 10 .185-IN-ID	26480	2190-0124
	2950-0078	9		NUT-HEX-DBL-CHAM 10-32-THD .067-IN-THK	26480	2950-0078
A11A4J2	1250-1220	0		CONNECTOR-RF SMC M PC 50-OHM	26480	1250-1220
	2190-0124	4		WASHER-LK INTL T NO. 10 .185-IN-ID	26480	2190-0124
	2950-0078	9		NUT-HEX-DBL-CHAM 10-32-THD .067-IN-THK	26480	2950-0078
A11A4L1	06662-60316	9			26480	06662-60316
A11A4L2	06662-60316	9			26480	06662-60316
A11A4L3	9140-0114	4		INDUCTOR RF-CH-MLD 10UH 10% .166DX.385LG	26480	9140-0114
A11A4L4	9140-0114	4		INDUCTOR RF-CH-MLD 10UH 10% .166DX.385LG	26480	9140-0114
A11A4MP1	08663-00067	2	1	COVER-EXTRUSION A11-A5	26480	08663-00067
	2360-0113	2		SCREW-MACH 6-32 .25-IN-LG PAN-HD-POZI	00000	ORDER BY DESCRIPTION
A11A4Q1	1854-0404	0		TRANSISTOR NPN SI TO-18 PD=360MW	26480	1854-0404
A11A4Q2	1854-0019	3	1	TRANSISTOR NPN SI TO-18 PD=360MW	26480	1854-0019
A11A4Q3	1854-0404	0		TRANSISTOR NPN SI TO-18 PD=360MW	26480	1854-0404
A11A4R1	0698-7264	1		RESISTOR 14.7K 1% .05W F TC=0+-100	24546	C3-1/8-T0-1472-F
A11A4R2	0698-7205	0		RESISTOR 51.1 1% .05W F TC=0+-100	24546	C3-1/8-T0-51R1-F
A11A4R3	0698-7224	3		RESISTOR 318 1% .05W F TC=0+-100	24546	C3-1/8-T0-318R-F
A11A4R4	0698-7253	8		RESISTOR 5.11K 1% .05W F TC=0+-100	24546	C3-1/8-T0-5111-F
A11A4R5	0698-7236	7		RESISTOR 1K 1% .05W F TC=0+-100	24546	C3-1/8-T0-1001-F
A11A4R6	0698-7268	5		RESISTOR 21.5K 1% .05W F TC=0+-100	24546	C3-1/8-T0-2152-F
A11A4R7	0698-7229	9		RESISTOR 511 1% .05W F TC=0+-100	24546	C3-1/8-T0-511R-F
A11A4R8	0698-7229	7		RESISTOR 464 1% .05W F TC=0+-100	24546	C3-1/8-T0-464R-F
A11A4R9	0698-7275	4		RESISTOR 42.2K 1% .05W F TC=0+-100	24546	C3-1/8-T0-4222-F
A11A4R10	0698-7252	7		RESISTOR 4.64K 1% .05W F TC=0+-100	24546	C3-1/8-T0-4641-F
A11A4R11	0698-7229	8		RESISTOR 511 1% .05W F TC=0+-100	24546	C3-1/8-T0-511R-F
A11A4R12	0698-7284	5		RESISTOR 100K 1% .05W F TC=0+-100	24546	C3-1/8-T0-1003-F
A11A4R13	0698-7229	8		RESISTOR 511 1% .05W F TC=0+-100	24546	C3-1/8-T0-511R-F
A11A4R14	0698-7229	8		RESISTOR 511 1% .05W F TC=0+-100	24546	C3-1/8-T0-511R-F
A11A4R15	0698-7260	7		RESISTOR 10K 1% .05W F TC=0+-100	24546	C3-1/8-T0-1002-F

† Refer to Section 7 for update information.

* Factory Selected Component (Refer to Section 5.)

Table 6-3. Replaceable Parts

Reference Designation	HP Part Number	C D	Qty.	Description	Mfr. Code	Mfr. Part Number
A11A4R16	0698-7285	6		RESISTOR 110K 1% .05W F TC=0+-100	24546	C3-1/8-T0-1103-F
A11A4R17	0698-7285	6		RESISTOR 110K 1% .05W F TC=0+-100	24546	C3-1/8-T0-1103-F
A11A4R18	0698-7285	6		RESISTOR 110K 1% .05W F TC=0+-100	24546	C3-1/8-T0-1103-F
A11A4R19	0698-7285	6		RESISTOR 110K 1% .05W F TC=0+-100	24546	C3-1/8-T0-1103-F
A11A4R20	0698-7269	5		RESISTOR 21.5K 1% .05W F TC=0+-100	24546	C3-1/8-T0-2152-F
A11A4R21	0683-1065	7	1	RESISTOR 10M 5% .25W CC TC=-900/+1100	01121	CB1085
A11A4R22	0757-0422	5		RESISTOR 909 1% .125W F TC=0+-100	24546	C4-1/8-T0-909R-F
A11A4R23	0698-7196	6		RESISTOR 21.5 1% .05W F TC=0+-100	24546	C3-1/8-T0-21R5-F
A11A4R24	0698-7269	5		RESISTOR 21.5K 1% .05W F TC=0+-100	24546	C3-1/8-T0-2152-F
A11A4TP1	1251-0600	0		CONNECTOR-SGL CONT PIN 1.14-MM-BSC-SZ SQ	28480	1251-0600
A11A4TP2	1251-0600	0		CONNECTOR-SGL CONT PIN 1.14-MM-BSC-SZ SQ	28480	1251-0600
A11A4TP3	1251-0600	0		CONNECTOR-SGL CONT PIN 1.14-MM-BSC-SZ SQ	28480	1251-0600
A11A4TP4	1251-0600	0		CONNECTOR-SGL CONT PIN 1.14-MM-BSC-SZ SQ	28480	1251-0600
A11A4U1	1820-3517	1		IC DIVR ECL VAR-MODULO	28480	1820-3517
A11A4U2	1820-1478	9	1	IC CNTR TTL LS BIN ASYNCHRO	01295	SN74LS93N
A11A4U3	1820-1201	6		IC GATE TTL LS AND QUAD 2-INP	01295	SN74LS09N
A11A4U4	1820-0630	3		IC MISC TTL	04713	MC4044P
A11A4U5	1820-1480	5	1	IC CNTR TTL LS DECD ASYNCHRO	01295	SN74LS90N
A11A4U6	1820-1463	2	1	IC CNTR TTL DECD ASYNCHRO NEG-EDGE-TRIG	01295	SN74390N
A11A4U7	1826-0013	6		IC OP AMP LOW-NOISE TO-99 PKG	06665	SSS741CJ
A11A4VR1	1902-0025	4		DIODE-ZNR 10V 5% DO-35 PD=.4W TC=+.06%	28480	1902-0025

† Refer to Section 7 for update information.

* Factory Selected Component (Refer to Section 5.)

Table 6-3. Replaceable Parts

Reference Designation	HP Part Number	C D	Qty.	Description	Mfr. Code	Mfr. Part Number
A11A5						
A11A5	08663-60323	9	1	MODULATION DRIVE ASSEMBLY	28480	08663-60323
A11A5C1	0180-0194	5	4	CAPACITOR-FXD 150UF+-10% 15VDC TA	56289	150D157X9015S2
A11A5C2	0180-0194	5		CAPACITOR-FXD 150UF+-10% 15VDC TA	56289	150D157X9015S2
A11A5C3	0180-0194	5		CAPACITOR-FXD 150UF+-10% 15VDC TA	56289	150D157X9015S2
A11A5C4	0180-0194	5		CAPACITOR-FXD 150UF+-10% 15VDC TA	56289	150D157X9015S2
A11A5C5	0180-0576	5		CAPACITOR-FXD .1UF +-20% 50VDC CER	28480	0180-0576
A11A5C6	0180-0576	5		CAPACITOR-FXD .1UF +-20% 50VDC CER	28480	0180-0576
A11A5C7	0180-0576	5		CAPACITOR-FXD .1UF +-20% 50VDC CER	28480	0180-0576
A11A5C8	0180-0576	5		CAPACITOR-FXD .1UF +-20% 50VDC CER	28480	0180-0576
A11A5C9	0160-4524	1	5	CAPACITOR-FXD 24PF +-5% 200VDC CER 0+-30	51642	200-200-NP0-240J
A11A5C10	0160-4524	1		CAPACITOR-FXD 24PF +-5% 200VDC CER 0+-30	51642	200-200-NP0-240J
A11A5C11	0160-3879	7		CAPACITOR-FXD .01UF +-20% 100VDC CER	28480	0160-3879
A11A5C12	0160-3879	7		CAPACITOR-FXD .01UF +-20% 100VDC CER	28480	0160-3879
A11A5C13	0160-3879	7		CAPACITOR-FXD .01UF +-20% 100VDC CER	28480	0160-3879
A11A5C14	0160-3879	7		CAPACITOR-FXD .01UF +-20% 100VDC CER	28480	0160-3879
A11A5C15	0160-3694	4	1	CAPACITOR-FXD 330PF +-10% 100VDC CER	28480	0160-3694
A11A5C16	0160-3878	6		CAPACITOR-FXD 1000PF +-20% 100VDC CER	28480	0160-3878
A11A5C17	0160-3878	6		CAPACITOR-FXD 1000PF +-20% 100VDC CER	28480	0160-3878
A11A5C18	0180-2617	1		CAPACITOR-FXD 6.8UF+-10% 35VDC TA	25088	D6R8GS1B35K
A11A5C19	0180-2617	1		CAPACITOR-FXD 6.8UF+-10% 35VDC TA	25088	D6R8GS1B35K
A11A5C20	0180-2617	1		CAPACITOR-FXD 6.8UF+-10% 35VDC TA	25088	D6R8GS1B35K
A11A5C21	0160-0127	2		CAPACITOR-FXD 1UF +-20% 25VDC CER	28480	0160-0127
A11A5C22	0160-0127	2		CAPACITOR-FXD 1UF +-20% 25VDC CER	28480	0160-0127
A11A5C23	0160-3879	7		CAPACITOR-FXD .01UF +-20% 100VDC CER	28480	0160-3879
A11A5C24	0180-2617	1		CAPACITOR-FXD 6.8UF+-10% 35VDC TA	25088	D6R8GS1B35K
A11A5C25	0160-0576	5		CAPACITOR-FXD .1UF +-20% 50VDC CER	28480	0160-0576
A11A5C26	0180-2617	1		CAPACITOR-FXD 6.8UF+-10% 35VDC TA	25088	D6R8GS1B35K
A11A5C27	0180-2617	1		CAPACITOR-FXD 6.8UF+-10% 35VDC TA	25088	D6R8GS1B35K
A11A5CR1	1901-0050	3		DIODE-SWITCHING 80V 200MA 2NS DO-35	28480	1901-0050
A11A5CR2	1901-0050	3		DIODE-SWITCHING 80V 200MA 2NS DO-35	28480	1901-0050
A11A5CR3	1901-0539	3		DIODE-SM SIG SCHOTTKY	28480	1901-0539
A11A5CR4	1901-0539	3		DIODE-SM SIG SCHOTTKY	28480	1901-0539
A11A5CR5	1901-0040	1		DIODE-SWITCHING 30V 50MA 2NS DO-35	28480	1901-0040
A11A5CR6	1901-0539	3		DIODE-SM SIG SCHOTTKY	28480	1901-0539
A11A5CR7	1901-0539	3		DIODE-SM SIG SCHOTTKY	28480	1901-0539
2234A TO 2326A A11A5CR8	1901-0518	8		DIODE-SM SIG SCHOTTKY	28480	1901-0518
2333A AND ABOVE A11A5CR8				NOT ASSIGNED		
A11A5J1	1250-1220	0		CONNECTOR-RF SMC M PC 50-OHM	28480	1250-1220
	2190-0124	4		WASHER-LK INTL T NO. 10 .195-IN-ID	28480	2190-0124
	2950-0078	9		NUT-HEX-DBL-CHAM 10-32-THD .067-IN-THK	28480	2950-0078
A11A5J2	1250-1220	0		CONNECTOR-RF SMC M PC 50-OHM	28480	1250-1220
	2190-0124	4		WASHER-LK INTL T NO. 10 .195-IN-ID	28480	2190-0124
	2950-0078	9		NUT-HEX-DBL-CHAM 10-32-THD .067-IN-THK	28480	2950-0078
2234A TO 2510A A11A5K1	0490-1013	6		RELAY-REED 1C 250MA 28VDC 5VDC-COIL 3VA	28480	0490-1013
A11A5K2	0490-1013	6		RELAY-REED 1C 250MA 28VDC 5VDC-COIL 3VA	28480	0490-1013
2513A AND ABOVE A11A5K1	0490-1423	2		RELAY-REED 1C 250MA 28VDC 5VDC-COIL 3VA	28480	0490-1423
A11A5K2	0490-1423	2		RELAY-REED 1C 250MA 28VDC 5VDC-COIL 3VA	28480	0490-1423

† Refer to Section 7 for update information.

* Factory Selected Component (Refer to Section 5.)

Table 6-3. Replaceable Parts

Reference Designation	HP Part Number	C D	Qty.	Description	Mfr. Code	Mfr. Part Number
A11A5L1	9100-3922	4		INDUCTOR-FIXED 120-1300 HZ	28480	9100-3922
A11A5L2	9100-4078	3		INDUCTOR 650H 54%	28480	9100-4078
A11A5L3	9100-4078	3		INDUCTOR 650H 54%	28480	9100-4078
A11A5MP1	08663-00049	0	1	COVER, 2/3 MOD DRIVER	28480	08663-00049
	2360-0113	2		SCREW-MACH 6-32 .25-IN-LG PAN-HD-POZI	00000	ORDER BY DESCRIPTION
A11A5Q1	1854-0810	2		TRANSISTOR NPN SI PD-625MW FT-200MHZ	28480	1854-0810
A11A5Q2	1855-0020	8		TRANSISTOR J-FET N-CHAN D-MODE TO-18 SI	28480	1855-0020
A11A5R1	0698-6366	2	2	RESISTOR 800 .1% .125W F TC=0+-25	28480	0698-6366
A11A5R2	0698-6366	2		RESISTOR 800 .1% .125W F TC=0+-25	28480	0698-6366
A11A5R3	0757-0418	9		RESISTOR 619 1% .125W F TC=0+-100	24546	C4-1/8-T0-619R-F
A11A5R4	0757-0418	9		RESISTOR 619 1% .125W F TC=0+-100	24546	C4-1/8-T0-619R-F
A11A5R5	0698-7212	9		RESISTOR 100 1% .05W F TC=0+-100	24546	C3-1/8-T0-100R-F
A11A5R6	0698-7212	9		RESISTOR 100 1% .05W F TC=0+-100	24546	C3-1/8-T0-100R-F
A11A5R7	0698-6348	0	2	RESISTOR 3K .1% .125W F TC=0+-25	28480	0698-6348
A11A5R8	0698-6348	0		RESISTOR 3K .1% .125W F TC=0+-25	28480	0698-6348
A11A5R9	0698-7212	9		RESISTOR 100 1% .05W F TC=0+-100	24546	C3-1/8-T0-100R-F
A11A5R10	0698-7212	9		RESISTOR 100 1% .05W F TC=0+-100	24546	C3-1/8-T0-100R-F
A11A5R11	0698-7288	5		RESISTOR 21.5K 1% .05W F TC=0+-100	24546	C3-1/8-T0-2152-F
A11A5R12	2100-3355	0	2	RESISTOR-TRMR 100K 10% C SIDE-ADJ 1-TRN	28480	2100-3355
A11A5R13	0698-7288	5		RESISTOR 21.5K 1% .05W F TC=0+-100	24546	C3-1/8-T0-2152-F
A11A5R14	2100-3355	0		RESISTOR-TRMR 100K 10% C SIDE-ADJ 1-TRN	28480	2100-3355
A11A5R15	0698-7248	1		RESISTOR 3.16K 1% .05W F TC=0+-100	24546	C3-1/8-T0-3161-F
A11A5R16	0698-7248	1		RESISTOR 3.16K 1% .05W F TC=0+-100	24546	C3-1/8-T0-3161-F
A11A5R17	0698-7205	0		RESISTOR 51.1 1% .05W F TC=0+-100	24546	C3-1/8-T0-51R1-F
A11A5R18	0698-7205	0		RESISTOR 51.1 1% .05W F TC=0+-100	24546	C3-1/8-T0-51R1-F
A11A5R19	0698-7205	0		RESISTOR 51.1 1% .05W F TC=0+-100	24546	C3-1/8-T0-51R1-F
A11A5R20	0698-7205	0		RESISTOR 51.1 1% .05W F TC=0+-100	24546	C3-1/8-T0-51R1-F
A11A5R21	2100-3353	8	2	RESISTOR-TRMR 20K 10% C SIDE-ADJ 1-TRN	28480	2100-3353
A11A5R22	2100-3353	8		RESISTOR-TRMR 20K 10% C SIDE-ADJ 1-TRN	28480	2100-3353
A11A5R23	0698-6344	6	2	RESISTOR 900 .1% .125W F TC=0+-25	28480	0698-6344
A11A5R24	0698-6323	1	2	RESISTOR 100 .1% .125W F TC=0+-25	28480	0698-6323
A11A5R25	0698-6344	6		RESISTOR 900 .1% .125W F TC=0+-25	28480	0698-6344
A11A5R26	0698-6323	1		RESISTOR 100 .1% .125W F TC=0+-25	28480	0698-6323
A11A5R27	0698-7211	8	2	RESISTOR 90.9 1% .05W F TC=0+-100	24546	C3-1/8-T0-90R9-F
A11A5R28	0698-7188	8		RESISTOR 10 1% .05W F TC=0+-100	24546	C3-1/8-T0-10R-F
A11A5R29	0698-7211	8		RESISTOR 90.9 1% .05W F TC=0+-100	24546	C3-1/8-T0-90R9-F
A11A5R30	0698-7188	8		RESISTOR 10 1% .05W F TC=0+-100	24546	C3-1/8-T0-10R-F
A11A5R31	0698-7240	3		RESISTOR 1.47K 1% .05W F TC=0+-100	24546	C3-1/8-T0-1471-F
A11A5R32	0698-7240	3		RESISTOR 1.47K 1% .05W F TC=0+-100	24546	C3-1/8-T0-1471-F
A11A5R33	0698-7223	2		RESISTOR 287 1% .05W F TC=0+-100	24546	C3-1/8-T0-287R-F
A11A5R34	0698-7250	5		RESISTOR 3.83K 1% .05W F TC=0+-100	24546	C3-1/8-T0-3831-F
A11A5R35	0698-8827	4		RESISTOR 1M 1% .125W F TC=0+-100	28480	0698-8827
223A TO 2552A A11A5R36	0698-3409	8		RESISTOR 2.37K 1% .5W F TC=0+-100	28480	0698-3409
2601A AND ABOVE A11A5R36	0698-3406	5		RESISTOR 1.33K 1% .5W F TC=0+-100	24546	C4-1/8-T0-1331-F
A11A5R37	0757-0815	0	2	RESISTOR 582 1% .5W F TC=0+-100	28480	0757-0815
A11A5R38	0698-7297	8	1	RESISTOR 133K 1% .05W F TC=0+-100	24546	C3-1/8-T0-1333-F
A11A5R39	0698-7265	2		RESISTOR 16.2K 1% .05W F TC=0+-100	24546	C3-1/8-T0-1622-F
A11A5R40	0698-7285	6		RESISTOR 110K 1% .05W F TC=0+-100	24546	C3-1/8-T0-1103-F

† Refer to Section 7 for update information.

* Factory Selected Component (Refer to Section 5.)

Table 6-3. Replaceable Parts

Reference Designation	HP Part Number	C D	Qty.	Description	Mfr. Code	Mfr. Part Number
A11A5R41	0698-7260	7		RESISTOR 10K 1% .05W F TC=0+-100	24546	C3-1/8-T0-1002-F
A11A5R42	0698-7272	1		RESISTOR 31.8K 1% .05W F TC=0+-100	24546	C3-1/8-T0-3162-F
A11A5R43	0698-7236	7		RESISTOR 1K 1% .05W F TC=0+-100	24546	C3-1/8-T0-1001-F
A11A5R44	0698-7229	8		RESISTOR 511 1% .05W F TC=0+-100	24546	C3-1/8-T0-511R-F
A11A5R45	0757-1092	7	1	RESISTOR 267 1% .5W F TC=0+-100	28480	0757-1092
A11A5R46	0698-7250	5		RESISTOR 3.93K 1% .05W F TC=0+-100	24546	C3-1/8-T0-3931-F
A11A5R47	0698-7203	8		RESISTOR 42.2 1% .05W F TC=0+-100	24546	C3-1/8-T0-42R2-F
A11A5R48	0698-7237	8		RESISTOR 1.1K 1% .05W F TC=0+-100	24546	C3-1/8-T0-1101-F
A11A5R49	2100-3350	5	1	RESISTOR-TRMR 200 10% C SIDE-ADJ 1-TRN	28480	2100-3350
A11A5R50	0698-7255	0		RESISTOR 6.19K 1% .05W F TC=0+-100	24546	C3-1/8-T0-6191-F
A11A5R51	0698-7231	2		RESISTOR 619 1% .05W F TC=0+-100	24546	C3-1/8-T0-619R-F
A11A5R52	0698-7240	3		RESISTOR 1.47K 1% .05W F TC=0+-100	24546	C3-1/8-T0-1471-F
A11A5R53	0698-7240	3		RESISTOR 1.47K 1% .05W F TC=0+-100	24546	C3-1/8-T0-1471-F
A11A5R54	0899-0075	0	1	RESISTOR 21.5M 1% .125W F TC=0+-150	28480	0899-0075
A11A5R55	0698-7274	3		RESISTOR 38.3K 1% .05W F TC=0+-100	24546	C3-1/8-T0-3832-F
A11A5R56	0698-7244	7		RESISTOR 2.15K 1% .05W F TC=0+-100	24546	C3-1/8-T0-2151-F
A11A5R57	0698-7268	5		RESISTOR 21.5K 1% .05W F TC=0+-100	24546	C3-1/8-T0-2152-F
A11A5R58	0698-7268	5		RESISTOR 21.5K 1% .05W F TC=0+-100	24546	C3-1/8-T0-2152-F
A11A5R59	0698-7260	7		RESISTOR 10K 1% .05W F TC=0+-100	24546	C3-1/8-T0-1002-F
A11A5R60	0698-7260	7		RESISTOR 10K 1% .05W F TC=0+-100	24546	C3-1/8-T0-1002-F
A11A5TP1	1251-0600	0		CONNECTOR-SGL CONT PIN 1.14-MM-BSC-SZ SQ	28480	1251-0600
A11A5TP2	1251-0600	0		CONNECTOR-SGL CONT PIN 1.14-MM-BSC-SZ SQ	28480	1251-0600
A11A5TP3	1251-0600	0		CONNECTOR-SGL CONT PIN 1.14-MM-BSC-SZ SQ	28480	1251-0600
A11A5TP4	1251-0600	0		CONNECTOR-SGL CONT PIN 1.14-MM-BSC-SZ SQ	28480	1251-0600
A11A5TP5	1251-0600	0		CONNECTOR-SGL CONT PIN 1.14-MM-BSC-SZ SQ	28480	1251-0600
A11A5TP6	1251-0600	0		CONNECTOR-SGL CONT PIN 1.14-MM-BSC-SZ SQ	28480	1251-0600
A11A5TP7	1251-0600	0		CONNECTOR-SGL CONT PIN 1.14-MM-BSC-SZ SQ	28480	1251-0600
A11A5U1	1826-0783	9	2	IC OP AMP LOW-NOISE 8-DIP-C PKG	52063	XR5534ACN
A11A5U2	1826-0783	9		IC OP AMP LOW-NOISE 8-DIP-C PKG	52063	XR5534ACN
A11A5U3	1826-0358	4	3	IC OP AMP LOW-BIAS-H-IMPDP TO-99 PKG	27014	LF256H, SEL NOISE
A11A5U4	1826-0950	2	2	ANALOG SWITCH 2 SPDT 16-CERDIP	28480	1826-0950
A11A5U5	1826-0191	3		IC COMPARTOR GP DUAL TO-100 PKG	27014	LM319H
A11A5U6	1826-0950	2		ANALOG SWITCH 2 SPDT 16-CERDIP	28480	1826-0950
A11A5U7	1826-0358	4		IC OP AMP LOW-BIAS-H-IMPDP TO-99 PKG	27014	LF256H, SEL NOISE
A11A5U8	1820-1189	1	1	IC INV TTL LS HEX 1-INP	01295	SN74LS04N
2234A TO 2552A A11A5U9	1826-0161	7	1	IC OP AMP GP QUAD 14-DIP-P PKG	04713	MLM324P
2601A AND ABOVE A11A5U9	1826-0753	3	1	IC OP AMP LOW-BIAS-H-IMPDP QUAD 14-DIP-C	04713	MC34004BL
2234A TO 2326A A11A5U10	1826-0264	1	2	IC CONV 10-B-D/A 16-DIP-P PKG	24355	AD7520LN
2333A AND ABOVE A11A5U10	1826-0921	7	3	D/A 10-BIT 16-CBRZ/SQR CMOS	28480	1826-0921
A11A5U11	1820-1423	4		IC MV TTL LS MONOSTBL RETRIG DUAL	01295	SN74LS123N
2234A TO 2326A A11A5U12	1826-0264	1		IC CONV 10-B-D/A 16-DIP-P PKG	24355	AD7520LN
2333A AND ABOVE A11A5U12	1826-0921	7		D/A 10-BIT 16-CBRZ/SQR CMOS	28480	1826-0921
A11A5U13	1826-0951	3	1	ANALOG SWITCH 2 SPST 14 -CERDIP	28480	1826-0951
A11A5VR1	1902-0965	1	1	DIODE-ZNR 20V 5% DO-35 PD=.4W TC=+.092%	28480	1902-0965
A11A5VR2	1902-0958	2		DIODE-ZNR 10V 5% DO-35 PD=.4W TC=+.075%	28480	1902-0958
A11A5VR3	1902-3193	3	3	DIODE-ZNR 13.3V 5% DO-35 PD=.4W	28480	1902-3193

† Refer to Section 7 for update information.

* Factory Selected Component (Refer to Section 5.)

6-201/
(6-202 blank)

Table 6-3. Replaceable Parts

Reference Designation	HP Part Number	C D	Qty.	Description	Mfr. Code	Mfr. Part Number
A11A6						
A11A6	08663-60320	6	1	MODULATION SECTION MOTHERBOARD	28480	08663-60320
A11A6J1	1250-0835	1		CONNECTOR-RF SMC M PC 50-OHM	28480	1250-0835
A11A6J2	1250-0835	1		CONNECTOR-RF SMC M PC 50-OHM	28480	1250-0835
A11A6J3	1250-0835	1		CONNECTOR-RF SMC M PC 50-OHM	28480	1250-0835
A11A6J4	1250-0835	1		CONNECTOR-RF SMC M PC 50-OHM	28480	1250-0835
A11A6J5	1250-0835	1		CONNECTOR-RF SMC M PC 50-OHM	28480	1250-0835
A11A6J6	1250-0835	1		CONNECTOR-RF SMC M PC 50-OHM	28480	1250-0835
A11A6J7	1250-0835	1		CONNECTOR-RF SMC M PC 50-OHM	28480	1250-0835
A11A6J8	1251-5316	5	1	CONNECTOR 34-PIN POST SERIES	28480	1251-5316
A11A6J9	1251-5314	3		CONNECTOR 50-PIN POST SERIES	28480	1251-5314
A11A6J10	1251-5595	2		POLARIZING KEY-POST CONN	28480	1251-5595
A11A6TP1	1251-0600	0		CONNECTOR-SGL CONT PIN 1.14-MM-BSC-SZ SQ	28480	1251-0600
A11A6TP2	1251-0600	0		CONNECTOR-SGL CONT PIN 1.14-MM-BSC-SZ SQ	28480	1251-0600
A11A6TP3	1251-0600	0		CONNECTOR-SGL CONT PIN 1.14-MM-BSC-SZ SQ	28480	1251-0600
A11A6TP4	1251-0600	0		CONNECTOR-SGL CONT PIN 1.14-MM-BSC-SZ SQ	28480	1251-0600
A11A6TP5	1251-0600	0		CONNECTOR-SGL CONT PIN 1.14-MM-BSC-SZ SQ	28480	1251-0600
A11A6XA11A1	1251-2035	9		CONNECTOR-PC EDGE 15-CONT/ROW 2-ROWS	28480	1251-2035
A11A6XA11A2	1251-2034	8	2	CONNECTOR-PC EDGE 10-CONT/ROW 2-ROWS	28480	1251-2034
A11A6XA11A3	1251-2035	9		CONNECTOR-PC EDGE 15-CONT/ROW 2-ROWS	28480	1251-2035
A11A6XA11A4	1251-2034	8		CONNECTOR-PC EDGE 10-CONT/ROW 2-ROWS	28480	1251-2034
A11A6XA11A5	1251-2582	1		CONNECTOR-PC EDGE 24-CONT/ROW 2-ROWS	28480	1251-2582

†Refer to Section 7 for update information.

*Factory Selected Component (Refer to Section 5).

Table 6-3. Replaceable Parts

Reference Designation	HP Part Number	C D	Qty.	Description	Mfr. Code	Mfr. Part Number
A12A1						
A12A1	08663-60301	3	1	MULTIPLEXER & POWER AMP ASSEMBLY	29490	08663-60301
A12A1C1	0160-4389	6		CAPACITOR-FXD 100PF +-5PF 200VDC CER	29490	0160-4389
A12A1C2	0160-4389	6		CAPACITOR-FXD 100PF +-5PF 200VDC CER	29490	0160-4389
A12A1C3	0160-4389	6		CAPACITOR-FXD 100PF +-5PF 200VDC CER	29490	0160-4389
A12A1C4	0160-4389	6		CAPACITOR-FXD 100PF +-5PF 200VDC CER	29490	0160-4389
A12A1C5	0160-2618	2		CAPACITOR-FXD 33UF+-10% 10VDC TA	25098	D33GS1B10K
A12A1C6	0160-2617	1		CAPACITOR-FXD 6.8UF+-10% 35VDC TA	25099	D6R8GS1B35K
A12A1C7	0160-2619	3		CAPACITOR-FXD 22UF+-10% 15VDC TA	25099	D22GS1B15K
A12A1C8	0160-4835	7	6	CAPACITOR-FXD .1UF +-10% 50VDC CER	28480	0160-4835
A12A1C9	0160-4835	7		CAPACITOR-FXD .1UF +-10% 50VDC CER	28480	0160-4835
A12A1C10	0160-4835	7		CAPACITOR-FXD .1UF +-10% 50VDC CER	28480	0160-4835
A12A1C11	0160-0116	1		CAPACITOR-FXD 6.8UF+-10% 35VDC TA	56289	150D685X9035B2
A12A1C12	0160-0291	3		CAPACITOR-FXD 1UF+-10% 35VDC TA	56289	150D105X9035A2
A12A1C13	0160-2619	3		CAPACITOR-FXD 22UF+-10% 15VDC TA	25099	D22GS1B15K
A12A1C14	0160-4835	7		CAPACITOR-FXD .1UF +-10% 50VDC CER	28480	0160-4835
A12A1C15	0160-4831	3	2	CAPACITOR-FXD 4700PF +-10% 100VDC CER	28480	0160-4831
A12A1C16	0160-4787	8	4	CAPACITOR-FXD 22PF +-5% 100VDC CER 0+-30	28480	0160-4787
A12A1C17	0160-4835	7		CAPACITOR-FXD .1UF +-10% 50VDC CER	28480	0160-4835
A12A1C18	0160-3879	7		CAPACITOR-FXD .01UF +-20% 100VDC CER	28480	0160-3879
A12A1C19	0160-4834	6	1	CAPACITOR-FXD .047UF +-10% 100VDC CER	28480	0160-4834
A12A1C20	0160-0576	5		CAPACITOR-FXD .1UF +-20% 50VDC CER	28480	0160-0576
A12A1C21	0160-4389	6		CAPACITOR-FXD 100PF +-5PF 200VDC CER	29490	0160-4389
A12A1C22	0160-2619	3		CAPACITOR-FXD 22UF+-10% 15VDC TA	25099	D22GS1B15K
A12A1C23	0160-4389	6		CAPACITOR-FXD 100PF +-5PF 200VDC CER	28480	0160-4389
A12A1C24	0160-4831	3		CAPACITOR-FXD 4700PF +-10% 100VDC CER	28480	0160-4831
A12A1C25	0160-4819	7	1	CAPACITOR-FXD 2200PF +-5% 100VDC CER	28480	0160-4819
A12A1C26	0160-0218	4	1	CAPACITOR-FXD .15UF+-10% 35VDC TA	56289	150D154X9035A2
A12A1C27	0160-4787	8		CAPACITOR-FXD 22PF +-5% 100VDC CER 0+-30	28480	0160-4787
A12A1C28	0160-4787	8		CAPACITOR-FXD 22PF +-5% 100VDC CER 0+-30	29480	0160-4787
A12A1C29	0160-0158	9		CAPACITOR-FXD 5600PF +-10% 200VDC POLYE	28480	0160-0158
A12A1C30	0160-4835	7		CAPACITOR-FXD .1UF +-10% 50VDC CER	28480	0160-4835
A12A1C31	0160-0158	9		CAPACITOR-FXD 5600PF +-10% 200VDC POLYE	28480	0160-0158
A12A1C32	0160-4787	8		CAPACITOR-FXD 22PF +-5% 100VDC CER 0+-30	28480	0160-4787
A12A1C33	0160-4389	6		CAPACITOR-FXD 100PF +-5PF 200VDC CER	28490	0160-4389
223A TO 240A A12A1C34				NOT ASSIGNED		
240A AND ABOVE A12A1C34	0160-4791	4	1	CAPACITOR-FXD 10PF +-5% 100VDC CER 0+-30	28480	0160-4791
A12A1CR1	1901-0050	3		DIODE-SWITCHING 80V 200MA 2NS DO-35	28480	1901-0050
A12A1CR2	1901-0050	3		DIODE-SWITCHING 80V 200MA 2NS DO-35	28480	1901-0050
A12A1CR3	1901-0050	3		DIODE-SWITCHING 80V 200MA 2NS DO-35	28480	1901-0050
A12A1CR4	1901-0050	3		DIODE-SWITCHING 80V 200MA 2NS DO-35	28480	1901-0050
A12A1CR5	1901-0050	3		DIODE-SWITCHING 80V 200MA 2NS DO-35	28480	1901-0050
A12A1CR6	1901-0050	3		DIODE-SWITCHING 80V 200MA 2NS DO-35	28480	1901-0050
A12A1CR7	1901-0050	3		DIODE-SWITCHING 80V 200MA 2NS DO-35	28480	1901-0050
A12A1CR8	1901-0050	3		DIODE-SWITCHING 80V 200MA 2NS DO-35	28480	1901-0050
A12A1CR9	1901-0050	3		DIODE-SWITCHING 80V 200MA 2NS DO-35	28480	1901-0050
A12A1CR10	1901-0050	3		DIODE-SWITCHING 80V 200MA 2NS DO-35	28480	1901-0050
A12A1E1	9170-0847	3	1	CORE-SHIELDING BEAD	02114	58-590-65/3B PARYLENE COATED
	2190-0045	8	2	WASHER-LK HLCL NO. 2 .088-IN-ID	28480	2190-0045
	2950-0078	9		NUT-HEX-DBL-CHAM 10-32-THD .067-IN-THK	28480	2950-0078
	2190-0045	8		WASHER-LK HLCL NO. 2 .088-IN-ID	28480	2190-0045

† Refer to Section 7 for update information.

* Factory Selected Component (Refer to Section 5.)

Table 6-3. Replaceable Parts

Reference Designation	HP Part Number	C D	Qty.	Description	Mfr. Code	Mfr. Part Number
2234A TO 2510A A12A1K1	0490-1013	6		RELAY-REED 1C 250MA 28VDC 5VDC-COIL 3VA	28480	0490-1013
2513A AND ABOVE A12A1K1	0490-1423	2		RELAY-REED 1C 250MA 28VDC 5VDC-COIL 3VA	28480	0490-1423
A12A1L1	9100-3922	4		INDUCTOR-FIXED 120-1300 HZ	28480	9100-3922
A12A1L2	9100-3922	4		INDUCTOR-FIXED 120-1300 HZ	28480	9100-3922
A12A1L3	9100-3922	4		INDUCTOR-FIXED 120-1300 HZ	28480	9100-3922
A12A1L4	9100-3922	4		INDUCTOR-FIXED 120-1300 HZ	28480	9100-3922
A12A1L5	9100-3922	4		INDUCTOR-FIXED 120-1300 HZ	28480	9100-3922
A12A1L6	9100-3922	4		INDUCTOR-FIXED 120-1300 HZ	28480	9100-3922
2234A TO 2419A A12A1L7	9100-3922	4		INDUCTOR-FIXED 120-1300 HZ	28480	9100-3922
2451A AND ABOVE A12A1L7	9100-4078	3		INDUCTOR 650 54%	28480	9100-4078
A12A1L8	9140-0245	2	2	INDUCTOR RF-CH-MLD 445UH 5% .29DX.924LG	28480	9140-0245
A12A1L9	9140-0245	2		INDUCTOR RF-CH-MLD 445UH 5% .29DX.924LG	28480	9140-0245
A12A1L10	9100-3922	4		INDUCTOR-FIXED 120-1300 HZ 2.5-6UH @ 1MHZ	28480	9100-3922
A12A1L11	9100-3922	4		INDUCTOR-FIXED 120-1300 HZ	28480	9100-3922
A12A1L12	9140-0210	1		INDUCTOR RF-CH-MLD 100UH 5% .166DX.385LG	28480	9140-0210
A12A1L13	9100-3922	4		INDUCTOR-FIXED 120-1300 HZ	28480	9100-3922
A12A1MP1	08663-00059	2	1	COVER-POWER AMPLIFIER	28480	08663-00059
	0520-0128	7	1	SCREW-MACH 2-56 .25-IN-LG PAN-HD-POZI	00000	ORDER BY DESCRIPTION
	2380-0113	2		SCREW-MACH 6-32 .25-IN-LG PAN-HD-POZI	00000	ORDER BY DESCRIPTION
A12A1MP2	5001-0176	0		GROUND STRAP	28480	5001-0176
A12A1MP3	5001-0176	0		GROUND STRAP	28480	5001-0176
A12A1MP4	08662-00041	1		SHIELD-COMPONENT (LARGE)	28480	08662-00041
A12A1MP5	08662-00039	7		SHIELD-CIRCUIT (LARGE)	28480	08662-00039
A12A1Q1	1853-0314	9	1	TRANSISTOR PNP 2N2905A SI TO-39 PD=600MW	04713	2N2905A
A12A1Q2	1853-0459	3	2	TRANSISTOR PNP SI PD=625MW FT=200MHZ	28480	1853-0459
A12A1Q3	1853-0291	9	4	TRANSISTOR PNP 2N2907A SI TO-18 PD=400MW	04713	2N2907A
2234A TO 2552A A12A1Q4	1854-0475	5		TRANSISTOR-DUAL NPN PD=750MW	28480	1854-0475
2601A AND ABOVE A12A1Q4	1854-1046	8		TRANSISTOR-DUAL NPN TO-78 PD=750MW	28480	1854-1046
A12A1Q5	1853-0291	9		TRANSISTOR PNP 2N2907A SI TO-18 PD=400MW	04713	2N2907A
A12A1Q6	1853-0291	9		TRANSISTOR PNP 2N2907A SI TO-18 PD=400MW	04713	2N2907A
A12A1Q7	1854-0814	6	1	TRANSISTOR NPN SI TO-66 PD=75W FT=3MHZ	28480	1854-0814
	1205-0454	5	1	HEAT SINK SGL TO-66-CS	28480	1205-0454
	2360-0197	2	1	SCREW-MACH 6-32 .375-IN-LG PAN-HD-POZI	28480	2360-0197
	2190-0006	1		WASHER-LK HLCL NO. 6 .141-IN-ID	28480	2190-0006
	2420-0003	7		NUT-HEX-DBL-CHAM 6-32-THD .084-IN-THK	28480	2420-0003
A12A1Q8	1855-0420	2	2	TRANSISTOR J-FET 2N4391 N-CHAN D-MODE	01295	2N4391
A12A1Q9	1855-0420	2		TRANSISTOR J-FET 2N4391 N-CHAN D-MODE	01295	2N4391
A12A1Q10	1854-0811	3	1	TRANSISTOR NPN SI PD=625MW FT=100MHZ	28480	1854-0811
A12A1Q11	1854-0495	7	2	TRANSISTOR NPN SI TO-104 PD=175MW	28480	1854-0495
A12A1Q12	1854-0668	8	1	TRANSISTOR NPN SI TO-18 PD=500MW	28480	1854-0668
A12A1Q13	1854-0485	7		TRANSISTOR NPN SI TO-104 PD=175MW	28480	1854-0485
A12A1Q14	1853-0291	9		TRANSISTOR PNP 2N2907A SI TO-18 PD=400MW	04713	2N2907A
A12A1Q15	1853-0393	4	1	TRANSISTOR PNP SI TO-19 PD=500MW	28480	1853-0393

† Refer to Section 7 for update information.

* Factory Selected Component (Refer to Section 5.)

Table 6-3. Replaceable Parts

Reference Designation	HP Part Number	C D	Qty.	Description	Mfr. Code	Mfr. Part Number
A12A1R1	0757-0442	9		RESISTOR 10K 1% .125W F TC=0+-100	24546	C4-1/8-T0-1002-F
A12A1R2	0698-3443	0		RESISTOR 287 1% .125W F TC=0+-100	24546	C4-1/8-T0-287R-F
A12A1R3	0757-0442	9		RESISTOR 10K 1% .125W F TC=0+-100	24546	C4-1/8-T0-1002-F
A12A1R4	0757-0280	3		RESISTOR 1K 1% .125W F TC=0+-100	24546	C4-1/8-T0-1001-F
A12A1R5	0757-0402	1		RESISTOR 110 1% .125W F TC=0+-100	24546	C4-1/8-T0-111-F
A12A1R6	2100-3109	2		RESISTOR-TRMR 2K 10% C SIDE-ADJ 17-TRN	02111	43P202
A12A1R7	0757-0418	7		RESISTOR 511 1% .125W F TC=0+-100	24546	C4-1/8-T0-511R-F
A12A1R8	0757-0420	3		RESISTOR 750 1% .125W F TC=0+-100	24546	C4-1/8-T0-751-F
A12A1R9	0757-0442	9		RESISTOR 10K 1% .125W F TC=0+-100	24546	C4-1/8-T0-1002-F
A12A1R10	0698-3153	9		RESISTOR 3.83K 1% .125W F TC=0+-100	24546	C4-1/8-T0-3831-F
A12A1R11	0757-0815	0		RESISTOR 562 1% .5W F TC=0+-100	28480	0757-0815
A12A1R12	2100-3109	2		RESISTOR-TRMR 2K 10% C SIDE-ADJ 17-TRN	02111	43P202
A12A1R13	0757-0199	3		RESISTOR 21.5K 1% .125W F TC=0+-100	24546	C4-1/8-T0-2152-F
A12A1R14	0698-3153	9		RESISTOR 3.83K 1% .125W F TC=0+-100	24546	C4-1/8-T0-3831-F
A12A1R15	0757-0280	3		RESISTOR 1K 1% .125W F TC=0+-100	24546	C4-1/8-T0-1001-F
A12A1R16	0698-0084	9		RESISTOR 2.15K 1% .125W F TC=0+-100	24546	C4-1/8-T0-2151-F
A12A1R17	0698-8827	4		RESISTOR 1M 1% .125W F TC=0+-100	28480	0698-8827
A12A1R18	0698-3150	6		RESISTOR 2.37K 1% .125W F TC=0+-100	24546	C4-1/8-T0-2371-F
A12A1R19	0698-3395	1	1	RESISTOR 34.8 1% .5W F TC=0+-100	28480	0698-3395
A12A1R20	0757-0442	9		RESISTOR 10K 1% .125W F TC=0+-100	24546	C4-1/8-T0-1002-F
A12A1R21	0698-3150	6		RESISTOR 2.37K 1% .125W F TC=0+-100	24546	C4-1/8-T0-2371-F
A12A1R22	0811-3470	5	1	RESISTOR .1 3% 3W PW TC=0+-90	28480	0811-3470
A12A1R23	0757-0274	5		RESISTOR 1.21K 1% .125W F TC=0+-100	24546	C4-1/8-T0-1211-F
A12A1R24	0757-0442	9		RESISTOR 10K 1% .125W F TC=0+-100	24546	C4-1/8-T0-1002-F
A12A1R25	0698-3258	5	1	RESISTOR 5.98K 1% .125W F TC=0+-100	24546	C4-1/8-T0-5361-F
A12A1R26	2100-3252	6	1	RESISTOR-TRMR 5K 10% C TOP-ADJ 1-TRN	28480	2100-3252
A12A1R27	0757-0424	7		RESISTOR 1.1K 1% .125W F TC=0+-100	24546	C4-1/8-T0-1101-F
A12A1R28	0757-0401	0		RESISTOR 100 1% .125W F TC=0+-100	24546	C4-1/8-T0-101-F
A12A1R29	0757-0401	0		RESISTOR 100 1% .125W F TC=0+-100	24546	C4-1/8-T0-101-F
A12A1R30	0698-7240	3		RESISTOR 1.47K 1% .05W F TC=0+-100	24546	C3-1/8-T0-1471-F
A12A1R31	2100-3058	8		RESISTOR-TRMR 5K 10% C SIDE-ADJ 17-TRN	02111	43P502
A12A1R32	0698-7238	7		RESISTOR 1K 1% .05W F TC=0+-100	24546	C3-1/8-T0-1001-F
A12A1R33	0698-3443	0		RESISTOR 287 1% .125W F TC=0+-100	24546	C4-1/8-T0-287R-F
A12A1R34	0757-0280	3		RESISTOR 1K 1% .125W F TC=0+-100	24546	C4-1/8-T0-1001-F
A12A1R35	0698-0085	0		RESISTOR 2.61K 1% .125W F TC=0+-100	24546	C4-1/8-T0-2611-F
A12A1R36	0757-0199	3		RESISTOR 21.5K 1% .125W F TC=0+-100	24546	C4-1/8-T0-2152-F
A12A1R37	0698-3609	0	1	RESISTOR 22 5% 2W MO TC=0+-200	27167	FP42-2-T00-22R0-J
A12A1R38	0698-3607	8	1	RESISTOR 18 5% 2W MO TC=0+-200	27167	FP42-2-T00-18R0-J
A12A1R39	0698-8812	7	1	RESISTOR 1 1% .125W F TC=0+-100	28480	0698-8812
A12A1R40	0757-0485	6		RESISTOR 100K 1% .125W F TC=0+-100	24546	C4-1/8-T0-1003-F
A12A1R41	0757-0442	9		RESISTOR 10K 1% .125W F TC=0+-100	24546	C4-1/8-T0-1002-F
A12A1R42	0757-0422	5		RESISTOR 909 1% .125W F TC=0+-100	24546	C4-1/8-T0-909R-F
A12A1R43	0757-0401	0		RESISTOR 100 1% .125W F TC=0+-100	24546	C4-1/8-T0-101-F
A12A1R44	0698-3458	7	2	RESISTOR 348K 1% .125W F TC=0+-100	28480	0698-3458
A12A1R45	0698-3153	9		RESISTOR 3.83K 1% .125W F TC=0+-100	24546	C4-1/8-T0-3831-F
A12A1R46	0757-0279	0		RESISTOR 3.16K 1% .125W F TC=0+-100	24546	C4-1/8-T0-3161-F
A12A1R47	0757-0280	3		RESISTOR 1K 1% .125W F TC=0+-100	24546	C4-1/8-T0-1001-F
A12A1R48	0698-3458	7		RESISTOR 348K 1% .125W F TC=0+-100	28480	0698-3458
A12A1R49	0698-0082	7		RESISTOR 464 1% .125W F TC=0+-100	24546	C4-1/8-T0-4640-F
A12A1R50	0757-1022	3	2	RESISTOR 1.78K 1% .25W F TC=0+-100	24546	C5-1/4-T0-1781-F
A12A1R51	0757-0428	1		RESISTOR 1.82K 1% .125W F TC=0+-100	24546	C4-1/8-T0-1821-F

†Refer to Section 7 for update information.

*Factory Selected Component (Refer to Section 5).

Table 6-3. Replaceable Parts

Reference Designation	HP Part Number	C D	Qty.	Description	Mfr. Code	Mfr. Part Number
A12A1R52	0698-0082	7		RESISTOR 464 1% .125W F TC=0+-100	24546	C4-1/8-T0-4640-F
A12A1R53	0698-4640	1	2	RESISTOR 3.16K 1% .25W F TC=0+-100	24546	C5-1/4-T0-3161-F
A12A1R54	0698-3442	9		RESISTOR 237 1% .125W F TC=0+-100	24546	C4-1/8-T0-237R-F
A12A1R55	0698-4640	1		RESISTOR 3.16K 1% .25W F TC=0+-100	24546	C5-1/4-T0-3161-F
A12A1R56	0698-0082	7		RESISTOR 464 1% .125W F TC=0+-100	24546	C4-1/8-T0-4640-F
A12A1R57	0757-0428	1		RESISTOR 1.62K 1% .125W F TC=0+-100	24546	C4-1/8-T0-1621-F
A12A1R58	0698-0082	7		RESISTOR 464 1% .125W F TC=0+-100	24546	C4-1/8-T0-4640-F
A12A1R59	0698-4632	1	1	RESISTOR 1.98K 1% .25W F TC=0+-100	24546	C5-1/4-T0-1961-F
A12A1R60	0757-0401	0		RESISTOR 100 1% .125W F TC=0+-100	24546	C4-1/8-T0-101-F
A12A1R61	2100-3161	6	1	RESISTOR-TRMR 20K 10% C SIDE-ADJ 17-TRN	02111	43P203
A12A1R62	0757-0442	9		RESISTOR 10K 1% .125W F TC=0+-100	24546	C4-1/8-T0-1002-F
A12A1R63	0757-0442	9		RESISTOR 10K 1% .125W F TC=0+-100	24546	C4-1/8-T0-1002-F
A12A1R64	2100-3162	7	1	RESISTOR-TRMR 200K 10% C SIDE-ADJ 17-TRN	02111	43P204
2324A TO 2323A A12A1R65	0698-3260	9		RESISTOR 464K 1% .125W F TC=0+-100	28480	0698-3260
2326A AND ABOVE A12A1R65	0698-9824	1	1	RESISTOR 562K 1% .125W F TC=0+-100	28480	0698-9824
A12A1R66	0757-0442	9		RESISTOR 10K 1% .125W F TC=0+-100	24546	C4-1/8-T0-1002-F
A12A1R67	0757-0442	9		RESISTOR 10K 1% .125W F TC=0+-100	24546	C4-1/8-T0-1002-F
A12A1R68	0698-7212	9		RESISTOR 100 1% .05W F TC=0+-100	24546	C3-1/8-T0-100R-F
A12A1TP1	0360-0535	0		TERMINAL TEST POINT PCB	00000	ORDER BY DESCRIPTION
A12A1TP2	0360-0535	0		TERMINAL TEST POINT PCB	00000	ORDER BY DESCRIPTION
A12A1TP3	0360-0535	0		TERMINAL TEST POINT PCB	00000	ORDER BY DESCRIPTION
A12A1TP4	0360-0535	0		TERMINAL TEST POINT PCB	00000	ORDER BY DESCRIPTION
A12A1TP5	0360-0535	0		TERMINAL TEST POINT PCB	00000	ORDER BY DESCRIPTION
A12A1TP6	0360-0535	0		TERMINAL TEST POINT PCB	00000	ORDER BY DESCRIPTION
A12A1TP7	0360-0535	0		TERMINAL TEST POINT PCB	00000	ORDER BY DESCRIPTION
A12A1TP8	0360-0535	0		TERMINAL TEST POINT PCB	00000	ORDER BY DESCRIPTION
A12A1TP9	0360-0535	0		TERMINAL TEST POINT PCB	00000	ORDER BY DESCRIPTION
A12A1TP10	0360-0535	0		TERMINAL TEST POINT PCB	00000	ORDER BY DESCRIPTION
A12A1TP11	0360-0535	0		TERMINAL TEST POINT PCB	00000	ORDER BY DESCRIPTION
A12A1TP12	0360-0535	0		TERMINAL TEST POINT PCB	00000	ORDER BY DESCRIPTION
A12A1U1	08663-67002	5	1	AMP-POWER	28480	08663-67002
A12A1U2	1205-0011	0		HEAT SINK TO-5/TO-39-CS	28480	1205-0011
A12A1U2	2200-0106	4		SCREW-MACH 4-40 .312-IN-LG PAN-HD-POZI	00000	ORDER BY DESCRIPTION
A12A1U3	1820-0535	7		IC DRVR TTL AND DUAL 2-INP	01295	SN75451BP
A12A1U4	1820-0535	7		IC DRVR TTL AND DUAL 2-INP	01295	SN75451BP
A12A1U5	1828-0358	4		IC OP AMP LOW-BIAS-H-IMPD TO-99 PKG	27014	LF258H, SEL NOISE
A12A1U6	1826-0759	9	1	IC COMPARATOR GP QUAD 14-DIP-C PKG	04713	LM339J
A12A1U7	1820-1261	2	1	IC DDDR TTL LS 2-TO-4-LINE DUAL 2-INP	01295	SN74LS139N
A12A1U8	1820-1211	8		IC GATE TTL LS EXCL-OR QUAD 2-INP	01295	SN74LS86N
A12A1U9	1820-0471	0	1	IC INV TTL HEX 1-INP	01295	SN7408N
A12A1U10	1826-0889	6	1	IC OP AMP LOW-NOISE DUAL 14-DIP-C PKG	52063	XR5533AN(PER HP DWG)
A12A1VR1	1902-0961	7	1	DIODE-ZNR 13V 5% DO-35 PD=.4W TC=+.082%	28480	1902-0961
A12A1VR2	1902-0968	2		DIODE-ZNR 10V 5% DO-35 PD=.4W TC=+.075%	28480	1902-0968
A12A1W1	08663-20039	0	1	CABLE ASSEMBLY-INPUT	28480	08663-20039
A12A1W2	08663-20039	9	1	CABLE ASSEMBLY	28480	08663-20039

† Refer to Section 7 for update information.

* Factory Selected Component (Refer to Section 5.)

Table 6-3. Replaceable Parts

Reference Designation	HP Part Number	C D	Qty.	Description	Mfr. Code	Mfr. Part Number
A12A1A1						
A12A1A1	08663-60035	0	1	MULTIPLEXER ASSEMBLY	28480	08663-60035
A12A1A1C1	0160-4303	4	2	CAPACITOR-FXD .027UF +/-10% 50VDC CER	28854	3BX50S273K
A12A1A1C2	0160-4306	7	1	CAPACITOR-FXD 100PF +/-10% 100VDC CER	51959	0805C101K3P
A12A1A1FL1	9135-0002	8		FILTER-LOW PASS SOLDER-TERMS	33095	51-744-018
A12A1A1FL2	9135-0002	8		FILTER-LOW PASS SOLDER-TERMS	33095	51-744-018
A12A1A1L1	9100-3922	4		INDUCTOR-FIXED 120-1300 HZ	28480	9100-3922
A12A1A1L2	9170-0636	8	2	CORE-TOROID AL=14-NH/T	28490	9170-0636
A12A1A1L3	9170-0636	8		CORE-TOROID AL=14-NH/T	28480	9170-0636
A12A1A1MP1	08663-20015	2	1	HOUSING-MUX	28480	08663-20015
	0520-0127	6	1	SCREW-MACH 2-56 .188-IN-LG PAN-HD-POZI	00000	ORDER BY DESCRIPTION
	2200-0140	7	1	SCREW-MACH 4-40 .25-IN-LG 100 DEG	28480	2200-0140
	2200-0150	9	1	SCREW-MACH 4-40 .625-IN-LG 100 DEG	00000	ORDER BY DESCRIPTION
	2190-0124	4		WASHER-LK INTL T NO. 10 .195-IN-ID	28480	2190-0124
	3050-0023	7	4	WASHER-FL NM NO. 6 .144-IN-ID .25-IN-OD	28480	3050-0023
A12A1A1MP2	08663-20017	4	1	COVER-MUX	28480	08663-20017
A12A1A1U1	08663-67004	7	1	MULTIPLEXER-RF IF DESIRED, THE ENTIRE MULTIPLEXER BD. ASSY(THAT IS, THE BD W/C1,C2 & L1-3 MTD) MAY BE ORDERED, THE HP P/N 08663-60305.	28480	08663-67004

† Refer to Section 7 for update information.

* Factory Selected Component (Refer to Section 5.)

6-209 /
(6-210 blank)

Table 4-3. Replaceable Parts

A12A2

A12A2	08663-60303	5	1	UHF MODULATOR ASSEMBLY	28480	08663-60303
A12A2C1	0160-4779	8	3	CAPACITOR-FXD 10PF +-2% 200VDC CER 0+-30	28480	0160-4779
A12A2C2	0160-3878	6		CAPACITOR-FXD 1000PF +-20% 100VDC CER	28480	0160-3878
A12A2C3	0160-3878	6		CAPACITOR-FXD 1000PF +-20% 100VDC CER	28480	0160-3878
A12A2C4	0160-3878	6		CAPACITOR-FXD 1000PF +-20% 100VDC CER	28480	0160-3878
A12A2C5	0160-3878	6		CAPACITOR-FXD 1000PF +-20% 100VDC CER	28480	0160-3878
A12A2C6	0160-3878	6		CAPACITOR-FXD 1000PF +-20% 100VDC CER	28480	0160-3878
A12A2C7	0160-4768	5	5	CAPACITOR-FXD 470PF +-5% 100VDC CER	28480	0160-4768
A12A2C8	0160-4084	8		CAPACITOR-FXD .1UF +-20% 50VDC CER	28480	0160-4084
A12A2C9	0160-4084	8		CAPACITOR-FXD .1UF +-20% 50VDC CER	28480	0160-4084
A12A2C10	0160-4084	8		CAPACITOR-FXD .1UF +-20% 50VDC CER	28480	0160-4084
A12A2C11	0180-1746	5		CAPACITOR-FXD 15UF+-10% 20VDC TA	56289	150D156X9020B2
A12A2C12	9135-0002	8		FILTER-LOW PASS SOLDER-TERMS	33095	51-744-018
A12A2C13	0180-2619	3		CAPACITOR-FXD 22UF+-10% 15VDC TA	25088	D22GS1B15K
2234A TO 2604A						
A12A2C14	0160-3879	7		CAPACITOR-FXD .01UF +-20% 100VDC CER	28480	0160-3879
2615A AND ABOVE						
A12A2C14	0160-3879	7		CAPACITOR-FXD .01UF +-20% 100VDC CER	28480	0160-3879
A12A2C15	0160-4518	3		CAPACITOR-FXD 3.9PF +-5PF 200VDC CER	28480	0160-4518
A12A2C16	0160-4518	3		CAPACITOR-FXD 3.9PF +-5PF 200VDC CER	28480	0160-4518
A12A2C17	0160-4389	6		CAPACITOR-FXD 100PF +-5PF 200VDC CER	28480	0160-4389
A12A2C18	0160-4768	5		CAPACITOR-FXD 470PF +-5% 100VDC CER	28480	0160-4768
A12A2C19	0160-4768	5		CAPACITOR-FXD 470PF +-5% 100VDC CER	28480	0160-4768
A12A2C20	0160-6727	0		CAPACITOR-FXD .033UF +-10% 50VDC CER	12473	RALEIGH
A12A2C21	0160-3568	1		CAPACITOR-FXD 2.7PF +-5% 200VDC CER	51642	100-100-NP0-279J
A12A2C22	0160-4765	2	2	CAPACITOR-FXD 36PF +-5% 200VDC CER 0+-30	28480	0160-4765
A12A2C23	0160-4494	4		CAPACITOR-FXD 39PF +-5% 200VDC CER 0+-30	28480	0160-4494
A12A2C24	0160-4524	1		CAPACITOR-FXD 24PF +-5% 200VDC CER 0+-30	51642	200-200-NP0-240J
A12A2C25	0160-4765	2		CAPACITOR-FXD 36PF +-5% 200VDC CER 0+-30	28480	0160-4765
A12A2C26	0160-3568	1		CAPACITOR-FXD 2.7PF +-5% 200VDC CER	51642	100-100-NP0-279J
A12A2C27	0160-4768	5		CAPACITOR-FXD 470PF +-5% 100VDC CER	28480	0160-4768
A12A2C28	0160-3879	7		CAPACITOR-FXD .01UF +-20% 100VDC CER	28480	0160-3879
A12A2C29	0121-0449	9		CAPACITOR-V TRMR-CER 3.5-10PF 63V PC-MTG	28480	0121-0449
A12A2C30	0121-0061	1	4	CAPACITOR-V TRMR-CER 5.5-18PF 350V	52763	304322 5.5/18PF NPO
A12A2C31	0121-0046	2		CAPACITOR-V TRMR-CER 9-35PF 200V PC-MTG	52763	304322 9/35PF N650
A12A2C32	0121-0046	2		CAPACITOR-V TRMR-CER 9-35PF 200V PC-MTG	52763	304322 9/35PF N650
A12A2C33	0160-4779	8		CAPACITOR-FXD 10PF +-2% 200VDC CER 0+-30	28480	0160-4779
A12A2C34	0121-0061	1		CAPACITOR-V TRMR-CER 5.5-18PF 350V	52763	304322 5.5/18PF NPO
A12A2C35	0160-4524	1		CAPACITOR-FXD 24PF +-5% 200VDC CER 0+-30	51642	200-200-NP0-240J
A12A2C36	0160-4387	4		CAPACITOR-FXD 47PF +-5% 200VDC CER 0+-30	28480	0160-4387
A12A2C37	0160-4779	8		CAPACITOR-FXD 10PF +-2% 200VDC CER 0+-30	28480	0160-4779
A12A2C38	0160-4492	2		CAPACITOR-FXD 18PF +-5% 200VDC CER 0+-30	28480	0160-4492
A12A2C39	0160-4524	1		CAPACITOR-FXD 24PF +-5% 200VDC CER 0+-30	51642	200-200-NP0-240J
A12A2C40	0160-4386	3		CAPACITOR-FXD 33PF +-5% 200VDC CER 0+-30	28480	0160-4386
A12A2C41	0160-4387	4		CAPACITOR-FXD 47PF +-5% 200VDC CER 0+-30	28480	0160-4387
A12A2C42	0160-4492	2		CAPACITOR-FXD 18PF +-5% 200VDC CER 0+-30	28480	0160-4492
A12A2C43	0160-4386	3		CAPACITOR-FXD 33PF +-5% 200VDC CER 0+-30	28480	0160-4386
A12A2C44	0121-0449	9		CAPACITOR-V TRMR-CER 3.5-10PF 63V PC-MTG	28480	0121-0449
A12A2C45	0121-0061	1		CAPACITOR-V TRMR-CER 5.5-18PF 350V	52763	304322 5.5/18PF NPO
A12A2C46	0121-0046	2		CAPACITOR-V TRMR-CER 9-35PF 200V PC-MTG	52763	304322 9/35PF N650

Table 4-3. Replaceable Parts

A12A2C47	0121-0061	1		CAPACITOR-V TRMR-CER 5.5-18PF 350V	52763	304322 5.5/18PF NPO	
A12A2C48	0121-0048	2		CAPACITOR-V TRMR-CER 9-35PF 200V PC-MTG	52763	304322 9/35PF N850	
A12A2C49	0160-4768	5		CAPACITOR-FXD 470PF +-5% 100VDC CER	28480	0160-4768	
A12A2C50	0160-3568	1		CAPACITOR-FXD 2.7PF +-5% 200VDC CER	51842	100-100-NP0-278J	
A12A2C52	0160-0690	4	1	CAPACITOR-FXD 1PF +-5PF 100VDC CER	28480	0160-0690	
A12A2CR1 ^Δ	1900-0248	9		DIODE-PIN	28480	1900-0248	
A12A2CR2 ^Δ	1900-0248	9		DIODE-PIN	28480	1900-0248	
A12A2CR3 ^Δ	1900-0248	9		DIODE-PIN	28480	1900-0248	
A12A2CR4 ^Δ	1900-0248	9		DIODE-PIN	28480	1900-0248	
A12A2CR5	1901-1098	9		DIODE-PIN	28480	1901-1098	
A12A2CR6	1901-1098	9		DIODE-PIN	28480	1901-1098	
A12A2CR7	1901-1098	9		DIODE-PIN	28480	1901-1098	
A12A2CR8	1901-1098	9		DIODE-PIN	28480	1901-1098	
A12A2CR9	1901-1098	9		DIODE-PIN	28480	1901-1098	
A12A2CR10	1901-1098	9		DIODE-PIN	28480	1901-1098	
A12A2CR11	1901-1098	9		DIODE-PIN	28480	1901-1098	
A12A2CR12	1901-1098	9		DIODE-PIN	28480	1901-1098	
A12A2CR13	1901-1098	9		DIODE-PIN	28480	1901-1098	
A12A2CR14	1901-1098	9		DIODE-PIN	28480	1901-1098	
A12A2J1	1250-1220	0		CONNECTOR-RF SMC M PC 50-OHM	28480	1250-1220	
A12A2J2	1250-1220	0		CONNECTOR-RF SMC M PC 50-OHM	28480	1250-1220	
A12A2L1	9100-3922	4		INDUCTOR-FIXED 120-1300 HZ	28480	9100-3922	
A12A2L2	9100-3922	4		INDUCTOR-FIXED 120-1300 HZ	28480	9100-3922	
A12A2L3	9100-3922	4		INDUCTOR-FIXED 120-1300 HZ	28480	9100-3922	
A12A2L4	9100-3922	4		INDUCTOR-FIXED 120-1300 HZ	28480	9100-3922	
A12A2L5	9100-3922	4		INDUCTOR-FIXED 120-1300 HZ	28480	9100-3922	
A12A2L6	9100-3922	4		INDUCTOR-FIXED 120-1300 HZ	28480	9100-3922	
A12A2L7	9100-3922	4		INDUCTOR-FIXED 120-1300 HZ	28480	9100-3922	
A12A2L8	9100-3922	4		INDUCTOR-FIXED 120-1300 HZ	28480	9100-3922	
A12A2L9	9100-3922	4		INDUCTOR-FIXED 120-1300 HZ	28480	9100-3922	
A12A2L10	9135-0080	2	4	INDUCTOR RF-CH-MLD 27NH 5% .102DX.26LG	28480	9135-0080	
<i>2234A TO 2604A</i>							
A12A2L11*	9135-0071	1	1	INDUCTOR RF-CH-MLD 62NH 5% .102DX.26LG	28480	9135-0071	
<i>2615A AND ABOVE</i>							
A12A2L11*	9135-0072	2	1	INDUCTOR RF-CH-MLD 56NH 5% .102DX.26LG	28480	9135-0072	
A12A2L12	9100-3922	4		INDUCTOR-FIXED 120-1300 HZ	28480	9100-3922	
A12A2L13	9100-3922	4		INDUCTOR-FIXED 120-1300 HZ	28480	9100-3922	
A12A2L14	9100-3922	4		INDUCTOR-FIXED 120-1300 HZ	28480	9100-3922	
A12A2L15	9100-1621	6	2	INDUCTOR RF-CH-MLD 18UH 10% .166DX.385LG	28480	9100-1621	
A12A2L16	9100-1630	7		INDUCTOR RF-CH-MLD 51UH 5% .166DX.385LG	28480	9100-1630	
A12A2L17	9100-2248	5	3	INDUCTOR RF-CH-MLD 120NH 10% .105DX.26LG	28480	9100-2248	
A12A2L18	9100-3922	4		INDUCTOR-FIXED 120-1300 HZ	28480	9100-3922	
A12A2L19	9100-2248	5		INDUCTOR RF-CH-MLD 120NH 10% .105DX.26LG	28480	9100-2248	
A12A2L20	9100-3922	4		INDUCTOR-FIXED 120-1300 HZ	28480	9100-3922	
A12A2L21	9100-3922	4		INDUCTOR-FIXED 120-1300 HZ	28480	9100-3922	
A12A2L22	9135-0070	0		INDUCTOR RF-CH-MLD 24NH 7% .102DX.26LG	28480	9135-0070	
A12A2L23	9135-0077	7		INDUCTOR RF-CH-MLD 36NH 6% .102DX.26LG	28480	9135-0077	
A12A2L24	9135-0072	2		INDUCTOR RF-CH-MLD 56NH 5% .102DX.26LG	28480	9135-0072	
A12A2L25	9135-0070	0		INDUCTOR RF-CH-MLD 24NH 7% .102DX.26LG	28480	9135-0070	
A12A2L26	9135-0080	2		INDUCTOR RF-CH-MLD 27NH 5% .102DX.26LG	28480	9135-0080	

Table 6-3. Replaceable Parts

Reference Designation	HP Part Number	C D	Qty.	Description	Mfr. Code	Mfr. Part Number
A12A2L27	9135-0076	6		INDUCTOR RF-CH-MLD 39NH 6% .102DX.26LG	28480	9135-0076
A12A2L28	9135-0075	5		INDUCTOR RF-CH-MLD 43NH 8% .102DX.26LG	28480	9135-0075
A12A2L29	9135-0072	2		INDUCTOR RF-CH-MLD 56NH 5% .102DX.26LG	28480	9135-0072
A12A2L30	9135-0070	0		INDUCTOR RF-CH-MLD 24NH 7% .102DX.26LG	28480	9135-0070
A12A2L31	9135-0080	2		INDUCTOR RF-CH-MLD 27NH 5% .102DX.26LG	28480	9135-0080
A12A2L32	9135-0077	7		INDUCTOR RF-CH-MLD 36NH 6% .102DX.26LG	28480	9135-0077
A12A2L33	9135-0075	5		INDUCTOR RF-CH-MLD 43NH 8% .102DX.26LG	28480	9135-0075
A12A2L34	9135-0072	2		INDUCTOR RF-CH-MLD 56NH 5% .102DX.26LG	28480	9135-0072
A12A2L35	9100-3922	4		INDUCTOR-FIXED 120-1300 HZ	28480	9100-3922
A12A2L36	9100-3922	4		INDUCTOR-FIXED 120-1300 HZ	28480	9100-3922
A12A2L37	9100-3922	4		INDUCTOR-FIXED 120-1300 HZ	28480	9100-3922
A12A2L38	9135-0080	2		INDUCTOR RF-CH-MLD 27NH 5% .102DX.26LG	28480	9135-0080
A12A2L39	9135-0075	5		INDUCTOR RF-CH-MLD 43NH 8% .102DX.26LG	28480	9135-0075
A12A2L40	9100-3922	4		INDUCTOR-FIXED 120-1300 HZ	28480	9100-3922
A12A2L41	9100-3922	4		INDUCTOR-FIXED 120-1300 HZ	28480	9100-3922
A12A2L42	9100-3922	4		INDUCTOR-FIXED 120-1300 HZ	28480	9100-3922
A12A2MP1	08663-00058	1	1	COVER, 2/3 UHF MOD.	28480	08663-00058
	2190-0124	4		WASHER-LK INTL T NO. 10 .195-IN-ID	28480	2190-0124
	2360-0113	2		SCREW-MACH 6-32 .25-IN-LG PAN-HD-POZI	00000	ORDER BY DESCRIPTION
	2950-0078	9		NUT-HEX-DBL-CHAM 10-32-THD .067-IN-THK	28480	2950-0078
A12A2MP2	5001-0176	0		GROUND STRAP	28480	5001-0176
A12A2MP3 †	08663-00085	4	1	COVER, (FRONT) UHF	28480	08663-00085
	08663-00103	7	1	INSULATING PAD	28480	08663-00103
	0360-0269	7	1	TERMINAL-SLDR LUG LK-MTG FOR-#8-SCR	28480	0360-0269
	2200-0103	2		SCREW-MACH 4-40 .25-IN-LG PAN-HD-POZI	28480	2200-0103
	2580-0002	4	1	NUT-HEX-DBL-CHAM 8-32-THD .085-IN-THK	28480	2580-0002
A12A2MP4	08663-00084	3	1	COVER, (REAR) UHF	28480	08663-00084
A12A2MP5	5001-0176	0		GROUND STRAP	28480	5001-0176
A12A2MP6	08662-00041	1		SHIELD-COMPONENT (LARGE)	28480	08662-00041
A12A2MP7	08662-00170	7		SHIELD-CIRCUIT	28480	08662-00170
A12A2Q1	1853-0405	9	1	TRANSISTOR PNP SI PD=300MW FT=850MHZ	04713	2N4209
A12A2Q2	1854-0809	9	1	TRANSISTOR NPN 2N2369A SI TO-18 PD=360MW	28480	1854-0809
A12A2Q3	1854-0720	3		TRANSISTOR NPN SI PD=500MW FT=4GHZ	28480	1854-0720
A12A2Q4	1853-0459	3		TRANSISTOR PNP SI PD=625MW FT=200MHZ	28480	1853-0459
A12A2R1	0698-0085	0		RESISTOR 2.61K 1% .125W F TC=0+-100	24546	C4-1/B-T0-2611-F
A12A2R2	0757-0417	8		RESISTOR 562 1% .125W F TC=0+-100	24546	C4-1/B-T0-562R-F
A12A2R3	0698-7188	8		RESISTOR 10 1% .05W F TC=0+-100	24546	C3-1/B-T0-10R-F
A12A2R4	0698-3437	2		RESISTOR 133 1% .125W F TC=0+-100	24546	C4-1/B-T0-133R-F
A12A2R5	0698-4590	0	2	RESISTOR 422 1% .25W F TC=0+-100	24546	C5-1/4-T0-422R-F
A12A2R6	0757-0346	2		RESISTOR 10 1% .125W F TC=0+-100	24546	C4-1/B-T0-10R0-F
2234A TO 2615A A12A2R7	0698-7205	0		RESISTOR 51.1 1% .05W F TC=0+-100	24546	C3-1/B-T0-51R1-F
2628A AND ABOVE A12A2R7	0698-1903	0		RESISTOR 51.1 1% .05W F TC=0+-100	24546	C3-1/B-T0-51R1-F
A12A2R8	1810-0205	7	1	NETWORK-RES 8-SIP4.7K OHM X 7	01121	208A472
A12A2R9*	0698-7218	5	7	RESISTOR 178 1% .05W F TC=0+-100	24546	C3-1/B-T0-178R-F
A12A2R10	0698-7248	9		RESISTOR 2.61K 1% .05W F TC=0+-100	24546	C3-1/B-T0-2611-F
A12A2R11	0698-7219	6		RESISTOR 196 1% .05W F TC=0+-100	24546	C3-1/B-T0-196R-F
A12A2R12	0698-3401	0	1	RESISTOR 215 1% .5W F TC=0+-100	28480	0698-3401

† Refer to Section 7 for update information.

* Factory Selected Component (Refer to Section 5.)

Table 4-3. Replaceable Parts

A12A2R13*	0699-1352	8		RESISTOR 21.5 +-1% .125W TKF TC=0+-100	02995	9C12063AFKR
A12A2R14	0757-1090	5		RESISTOR 261 1% .5W F TC=0+-100	28480	0757-1090
A12A2R15	0698-7233	4	2	RESISTOR 750 1% .05W F TC=0+-100	24546	C3-1/8-TO-750R-F
A12A2R16	0757-0279	0		RESISTOR 3.16K 1% .125W F TC=0+-100	24546	C4-1/8-TO-3161-F
A12A2R17	0698-7240	3		RESISTOR 1.47K 1% .05W F TC=0+-100	24546	C3-1/8-TO-1471-F
A12A2R18	0698-7237	8		RESISTOR 1.1K 1% .05W F TC=0+-100	24546	C3-1/8-TO-1101-F
A12A2R19	0698-7236	7		RESISTOR 1K 1% .05W F TC=0+-100	24546	C3-1/8-TO-1001-F
A12A2R20	0698-7219	6		RESISTOR 196 1% .05W F TC=0+-100	24546	C3-1/8-TO-196R-F
A12A2R21	0757-0798	8	1	RESISTOR 110 1% .5W F TC=0+-100	28480	0757-0798
A12A2R22	0698-7223	2		RESISTOR 287 1% .05W F TC=0+-100	24546	C3-1/8-TO-287R-F
A12A2R23	0698-7220	9		RESISTOR 215 1% .05W F TC=0+-100	24546	C3-1/8-TO-215R-F
A12A2R24	0698-7220	9		RESISTOR 215 1% .05W F TC=0+-100	24546	C3-1/8-TO-215R-F
A12A2R25	0698-7220	9		RESISTOR 215 1% .05W F TC=0+-100	24546	C3-1/8-TO-215R-F
A12A2R26	0698-7220	9		RESISTOR 215 1% .05W F TC=0+-100	24546	C3-1/8-TO-215R-F
A12A2R27	0698-7220	9		RESISTOR 215 1% .05W F TC=0+-100	24546	C3-1/8-TO-215R-F
A12A2R28	0698-7223	2		RESISTOR 287 1% .05W F TC=0+-100	24546	C3-1/8-TO-287R-F
A12A2R29*	0699-1419	8		RESISTOR 147 +-1% .125W TKF TC=0+-100	02995	9C12063AFKR
A12A2R30*	0699-1346	0		RESISTOR 12.1 +-1% .125W TKF TC=0+-100	02995	0699-1346
A12A2R31*	0699-1350	8		RESISTOR 17.8 +-1% .125W TKF TC=0+-100	02995	0699-1350
A12A2R32*	0699-1417	6		RESISTOR 121 +-1% .125W TKF TC=0+-100	02995	9C12063AFKR
A12A2R33	0698-7271	0		RESISTOR 28.7K 1% .05W F TC=0+-100	24546	C3-1/8-TO-2872-F
A12A2TP1	1251-0600	0		CONNECTOR-SGL CONT PIN 1.14-MM-BSC-SZ SQ	28480	1251-0600
A12A2TP2	1251-0600	0		CONNECTOR-SGL CONT PIN 1.14-MM-BSC-SZ SQ	28480	1251-0600
A12A2TP3	1251-0600	0		CONNECTOR-SGL CONT PIN 1.14-MM-BSC-SZ SQ	28480	1251-0600
A12A2TP4	1251-0600	0		CONNECTOR-SGL CONT PIN 1.14-MM-BSC-SZ SQ	28480	1251-0600
A12A2TP5	1251-2194	1		CONNECTOR-SGL CONT SKT .021-IN-BSC-SZ SQ	28480	1251-2194
A12A2U1	1826-0372	2		IC MISC 8-DIP-P PKG	28480	1826-0372
A12A2U2	1820-0681	4		IC GATE TTL S NAND QUAD 2-INP	01295	SN74S00N
A12A2U3	08662-67002	4	2	UHF POWER AMPLIFIER	28480	08662-67002
	0340-0834	0	2	INSULATOR-XSTR POLYI	28480	0340-0834
	1205-0206	5	1	HEAT SINK SGL TO-5/TO-39-CS	28480	1205-0206
A12A2U4	1820-1216	3	1	IC DCDR TTL LS 3-TO-8-LINE 3-INP	01295	SN74LS138N
A12A2U5	1820-0668	7		IC BFR TTL NON-INV HEX 1-INP	01295	SN7407N
A12A2U6	1820-1144	6		IC GATE TTL LS NOR QUAD 2-INP	01295	SN74LS02N
A12A2W1	8159-0005	0	1	RESISTOR-ZERO OHMS 22 AWG LEAD DIA	28480	8159-0005

Table 6-3. Replaceable Parts

Reference Designation	HP Part Number	C D	Qty.	Description	Mfr. Code	Mfr. Part Number
A12A3						
A12A3	08663-80345	5	1	LF AMPLIFIER	28480	08663-80345
A12A3C1	0160-3878	6		CAPACITOR-FXD 1000PF +-20% 100VDC CER	28480	0160-3878
A12A3C2	0160-3878	6		CAPACITOR-FXD 1000PF +-20% 100VDC CER	28480	0160-3878
A12A3C3	0160-3878	6		CAPACITOR-FXD 1000PF +-20% 100VDC CER	28480	0160-3878
A12A3C4	0180-2617	1		CAPACITOR-FXD 6.8UF+-10% 35VDC TA	25088	D6R8GS1B35K
A12A3C5	0180-2619	3		CAPACITOR-FXD 22UF+-10% 15VDC TA	25088	D22GS1B15K
A12A3C6	0180-2619	3		CAPACITOR-FXD 22UF+-10% 15VDC TA	25088	D22GS1B15K
A12A3C7	0160-4896	0	1	CAPACITOR-FXD 47PF +-2% 200VDC CER 0+-30	28480	0160-4896
A12A3C8	0160-4778	5	1	CAPACITOR-FXD 28PF +-2% 200VDC CER 0+-30	28480	0160-4778
A12A3C9	0180-2617	1		CAPACITOR-FXD 6.8UF+-10% 35VDC TA	25088	D6R8GS1B35K
A12A3C10	0180-2619	3		CAPACITOR-FXD 22UF+-10% 15VDC TA	25088	D22GS1B15K
A12A3C11	0180-2617	1		CAPACITOR-FXD 6.8UF+-10% 35VDC TA	25088	D6R8GS1B35K
A12A3C12	0160-4388	6		CAPACITOR-FXD 100PF +-5PF 200VDC CER	28480	0160-4388
A12A3C13	0180-2617	1		CAPACITOR-FXD 6.8UF+-10% 35VDC TA	25088	D6R8GS1B35K
A12A3C14	0180-2617	1		CAPACITOR-FXD 6.8UF+-10% 35VDC TA	25088	D6R8GS1B35K
A12A3C15	0180-2617	1		CAPACITOR-FXD 6.8UF+-10% 35VDC TA	25088	D6R8GS1B35K
A12A3C16	0180-2617	1		CAPACITOR-FXD 6.8UF+-10% 35VDC TA	25088	D6R8GS1B35K
A12A3C17	0180-2617	1		CAPACITOR-FXD 6.8UF+-10% 35VDC TA	25088	D6R8GS1B35K
A12A3C18	0180-2617	1		CAPACITOR-FXD 6.8UF+-10% 35VDC TA	25088	D6R8GS1B35K
A12A3C19	0180-2617	1		CAPACITOR-FXD 6.8UF+-10% 35VDC TA	25088	D6R8GS1B35K
2234A TO 2333A A12A3C20				NOT ASSIGNED		
2339A AND ABOVE A12A3C20	0160-3875	3		CAPACITOR-FXD 22PF+-5% 200VDC CER	28480	0160-3875
A12A3CR1	1901-0040	1		DIODE-SWITCHING 30V 50MA 2NS DO-35	28480	1901-0040
A12A3CR2	1901-0040	1		DIODE-SWITCHING 30V 50MA 2NS DO-35	28480	1901-0040
A12A3CR3	1901-0040	1		DIODE-SWITCHING 30V 50MA 2NS DO-35	28480	1901-0040
A12A3J2	1250-1220	0		CONNECTOR-RF SMC M PC 50-OHM	28480	1250-1220
	2190-0124	4		WASHER-LK INTL T NO. 10 .195-IN-ID	28480	2190-0124
	2950-0078	9		NUT-HEX-DBL-CHAM 10-32-THD .067-IN-THK	28480	2950-0078
A12A3J3	1250-0836	2	1	CONNECTOR-RF SMC M PC 50-OHM	28480	1250-0836
	2190-0124	4	2	WASHER-LK INTL T 5/8 IN .64-IN-ID	28480	2190-0124
A12A3K1	0490-0670	9		RELAY 2C 5VDC-COIL 1A 28VDC	28480	0490-0670
	0340-0440	4		INSULATOR-IC NYLON WHITE	28480	0340-0440
A12A3K2	0490-0670	9		RELAY 2C 5VDC-COIL 1A 28VDC	28480	0490-0670
	0340-0440	4		INSULATOR-IC NYLON WHITE	28480	0340-0440
A12A3K3	0490-0670	9		RELAY 2C 5VDC-COIL 1A 28VDC	28480	0490-0670
	0340-0440	4		INSULATOR-IC NYLON WHITE	28480	0340-0440
A12A3L1	9100-3922	4		INDUCTOR-FIXED 120-1300 HZ	28480	9100-3922
A12A3L2	9100-3922	4		INDUCTOR-FIXED 120-1300 HZ	28480	9100-3922
A12A3L3	9100-3922	4		INDUCTOR-FIXED 120-1300 HZ	28480	9100-3922
A12A3L4	9100-4078	3		INDUCTOR 650H 54%	28480	9100-4078
A12A3L5	9100-3922	4		INDUCTOR-FIXED 120-1300 HZ	28480	9100-3922
A12A3L6	9100-4078	3		INDUCTOR 650H 54%	28480	9100-4078
A12A3L7	9135-0081	3		INDUCTOR RF-CH-MLD 68NH 5% .102DX.26LG	28480	9135-0081
A12A3L8	9135-0079	9		INDUCTOR RF-CH-MLD 100NH 5% .102DX.26LG	28480	9135-0079
2234A TO 2333A A12A3L9	9100-2251	0		INDUCTOR RF-CH-MLD 220NH 10% .105DX.26LG	28480	9100-2251
2339A AND ABOVE A12A3L9	9100-2254	3		INDUCTOR RF-CH-MLD 390NH 10% .105DX.26LG	28480	9100-2254
A12A3L10	9135-0079	9		INDUCTOR RF-CH-MLD 100NH 5% .102DX.26LG	28480	9135-0079
A12A3L11	9100-2248	5		INDUCTOR RF-CH-MLD 120NH 10% .105DX.26LG	28480	9100-2248

†Refer to Section 7 for update information.

*Factory Selected Component (Refer to Section 5).

Table 6-3. Replaceable Parts

Reference Designation	HP Part Number	C D	Qty.	Description	Mfr. Code	Mfr. Part Number
A12A3MP1	08663-00088	3	1	COVER-EXTRUSION A4-A3	28480	08663-00088
	2360-0113	2		SCREW-MACH 6-32 .25-IN-LG PAN-HD-POZI	00000	ORDER BY DESCRIPTION
A12A3MP2	5001-0176	0		GROUND STRAP	28480	5001-0176
A12A3MP3	5001-0176	0		GROUND STRAP	28480	5001-0176
A12A3MP4	08662-00040	0		SHIELD-COMPONENT (SMALL)	28480	08662-00040
A12A3MP5	08662-00038	6	2	SHIELD-CIRCUIT (SMALL)	28480	08662-00038
A12A3MP6	08662-60016	6	1	DUPLEXER SHIELD	28480	08662-60016
A12A3Q1	1854-0247	9		TRANSISTOR NPN SI TO-39 PD=1W FT=800MHZ	28480	1854-0247
	1200-0173	5		INSULATOR-XSTR DAP-GL	28480	1200-0173
A12A3Q2	1854-0247	9		TRANSISTOR NPN SI TO-39 PD=1W FT=800MHZ	28480	1854-0247
	1200-0173	5		INSULATOR-XSTR DAP-GL	28480	1200-0173
A12A3Q3	1854-0721	4		TRANSISTOR NPN SI TO-39 PD=1.5W	25403	BFR 95
	1200-0173	5		INSULATOR-XSTR DAP-GL	28480	1200-0173
A12A3Q4	1854-0477	7		TRANSISTOR NPN 2N2222A SI TO-18 PD=500MW	04713	2N2222A
A12A3Q5	1854-0477	7		TRANSISTOR NPN 2N2222A SI TO-18 PD=500MW	04713	2N2222A
A12A3Q8	1854-0477	7		TRANSISTOR NPN 2N2222A SI TO-18 PD=500MW	04713	2N2222A
A12A3R1	0698-7190	2		RESISTOR 12.1 1% .05W F TC=0+-100	24546	C3-1/8-TO-12R1-F
A12A3R2	0698-7190	2		RESISTOR 12.1 1% .05W F TC=0+-100	24546	C3-1/8-TO-12R1-F
A12A3R3	0757-1022	3		RESISTOR 1.78K 1% .25W F TC=0+-100	24546	C5-1/4-TO-1781-F
A12A3R4	0698-7225	4		RESISTOR 348 1% .05W F TC=0+-100	24546	C3-1/8-TO-348R-F
A12A3R5	0698-7229	8		RESISTOR 511 1% .05W F TC=0+-100	24546	C3-1/8-TO-511R-F
A12A3R6	0757-0418	7		RESISTOR 511 1% .125W F TC=0+-100	24546	C4-1/8-TO-511R-F
A12A3R7	0698-7194	6		RESISTOR 17.8 1% .05W F TC=0+-100	24546	C3-1/8-TO-178R-F
A12A3R8	0698-3441	8		RESISTOR 215 1% .125W F TC=0+-100	24546	C4-1/8-TO-215R-F
A12A3R9	0698-4590	0		RESISTOR 422 1% .25W F TC=0+-100	24546	C5-1/4-TO-422R-F
A12A3R10	0698-7199	1	1	RESISTOR 26.7 1% .05W F TC=0+-100	24546	C3-1/8-TO-267R-F
A12A3R11	0698-0079	2	1	RESISTOR 2.87K 1% .25W F TC=0+-100	24546	C5-1/4-TO-2371-F
A12A3R12	0698-7231	2		RESISTOR 619 1% .05W F TC=0+-100	24546	C3-1/8-TO-619R-F
A12A3R13	0698-7217	4		RESISTOR 182 1% .05W F TC=0+-100	24546	C3-1/8-TO-182R-F
A12A3R14	0698-4579	5	2	RESISTOR 261 1% .25W F TC=0+-100	24546	C5-1/4-TO-261R-F
A12A3R15	0698-4579	5		RESISTOR 261 1% .25W F TC=0+-100	24546	C5-1/4-TO-261R-F
A12A3R16	0698-7190	2		RESISTOR 12.1 1% .05W F TC=0+-100	24546	C3-1/8-TO-12R1-F
A12A3R17	0757-0403	2		RESISTOR 121 1% .125W F TC=0+-100	24546	C4-1/8-TO-121R-F
A12A3R18	0698-3152	8	3	RESISTOR 3.48K 1% .125W F TC=0+-100	24546	C4-1/8-TO-3481-F
2334A TO 2338A						
A12A3R19*	0698-7223	2	9	RESISTOR 287 1% .05W F TC=0+-100	24546	C3-1/8-TO-287R-F
	1251-1556	7	21	CONNECTOR-SGL CONT SKT .018-IN-BSC-SZ	28480	1251-1556
2339A AND ABOVE						
A12A3R19*	0698-7220	5		RESISTOR 178 1% .05W F TC=0+-100	24546	C3-1/8-TO-178R-F
	1251-1556	7	21	CONNECTOR-SGL CONT SKT .018-IN-BSC-SZ	28480	1251-1556
A12A3R20				NOT ASSIGNED		
2354A TO 2358A						
A12A3R21	0757-0180	2	1	RESISTOR 31.6 1% .125W F TC=0+-100	26480	0757-0180
	1251-1998	1	1	CONNECTOR-SGL CONT SKT .025-IN-BSC-SZ	28480	1251-1998
2339A AND ABOVE						
A12A3R21*	0757-0379	1	1	RESISTOR 12.1 1% .125W F TC=0+-100	19701	MF4C1/8-TO-12R1-F
	1251-1998	1	1	CONNECTOR-SGL CONT SKT .025-IN-BSC-SZ	28480	1251-1998
A12A3R22	0757-0290	5		RESISTOR 6.19K 1% .125W F TC=0+-100	19701	MF4C1/8-TO-6191-F
2394A TO 2398A						
A12A3R23*	0698-7220	5		RESISTOR 178 1% .05W F TC=0+-100	24546	C3-1/8-TO-178R-F
	1251-1556	7		CONNECTOR-SGL CONT SKT .018-IN-BSC-SZ	28480	1251-1556
2339A AND ABOVE						
A12A3R23*	0698-7228	7		RESISTOR 464 1% .05W F TC=0+-100	24546	C3-1/8-TO-464R-F
	1251-1556	7		CONNECTOR-SGL CONT SKT .018-IN-BSC-SZ	28480	1251-1556

†Refer to Section 7 for update information.

*Factory Selected Component (Refer to Section 5).

Table 6-3. Replaceable Parts

Reference Designation	HP Part Number	C D	Qty.	Description	Mfr. Code	Mfr. Part Number
2234A TO 2333A A12A3R24	0698-7228		7	RESISTOR 464 1% .05W F TC=0+-100	24546	C3-1/8-TO-464R-F
2339A AND ABOVE A12A3R24	0698-7228		5	RESISTOR 383 1% .05W F TC=0+-100	24546	C3-1/8-TO-383R-F
A12A3R25	0698-7190		2	RESISTOR 12.1 1% .05W F TC=0+-100	24546	C3-1/8-TO-12R1-F
A12A3R26	0698-3152		8	RESISTOR 3.48K 1% .125W F TC=0+-100	24546	C4-1/8-TO-3481-F
2234A TO 2333A A12A3R27	0698-7228		7	RESISTOR 464 1% .05W F TC=0+-100	24546	C3-1/8-TO-464R-F
2339A AND ABOVE A12A3R27	0698-7226		5	RESISTOR 383 1% .05W F TC=0+-100	24546	C3-1/8-TO-383R-F
A12A3R28	0757-0290		5	RESISTOR 6.19K 1% .125W F TC=0+-100	19701	MF4C1/8-TO-6191-F
2234A TO 2333A A12A3R29	0698-7221		0	RESISTOR 237 1% .05W F TC=0+-100	24546	C3-1/8-TO-237R-F
A12A3R30	0698-7198		0	RESISTOR 26.1 1% .05W F TC=0+-100	24546	C3-1/8-TO-26R1-F
2339A AND ABOVE A12A3R29	0698-7220		9	RESISTOR 215 1% .05W F TC=0+-100	24546	C3-1/8-TO-215R-F
A12A3R30	0698-7197		9	RESISTOR 23.7 1% .05W F TC=0+-100	24546	C3-1/8-TO-23R7-F
A12A3R31	0698-3152		8	RESISTOR 3.48K 1% .125W F TC=0+-100	24546	C4-1/8-TO-3481-F
2234A TO 2333A A12A3R32	0698-7221		0	RESISTOR 237 1% .05W F TC=0+-100	24546	C3-1/8-TO-237R-F
2339A AND ABOVE A12A3R32	0698-7220		9	RESISTOR 215 1% .05W F TC=0+-100	24546	C3-1/8-TO-215R-F
A12A3R33	0757-0290		5	RESISTOR 6.19K 1% .125W F TC=0+-100	19701	MF4C1/8-TO-6191-F
2234A TO 2333A A12A3R34	0698-7214		1	RESISTOR 121 1% .05W F TC=0+-100	24546	C3-1/8-TO-121R-F
2339A AND ABOVE A12A3R34	0698-7213		0	RESISTOR 110 1% .05W F TC=0+-100	24546	C3-1/8-TO-110R-F
A12A3R35	0698-7206		1	RESISTOR 56.2 1% .05W F TC=0+-100	24546	C3-1/8-TO-56R2-F
2234A TO 2333A A12A3R36	0698-7214		1	RESISTOR 121 1% .05W F TC=0+-100	24546	C3-1/8-TO-121R-F
2339A AND ABOVE A12A3R36	0698-7213		0	RESISTOR 110 1% .05W F TC=0+-100	24546	C3-1/8-TO-110R-F
A12A3TP1	1251-0600		0	CONNECTOR-SGL CONT PIN 1.14-MM-BSC-SZ SQ	2B480	1251-0600
A12A3TP2	1251-0600		0	CONNECTOR-SGL CONT PIN 1.14-MM-BSC-SZ SQ	2B480	1251-0600
A12A3TP3	1251-0600		0	CONNECTOR-SGL CONT PIN 1.14-MM-BSC-SZ SQ	2B480	1251-0600
A12A3TP4	1251-1558		7	CONNECTOR-SGL CONT SKT .018-IN-BSC-SZ	2B480	1251-1558

† Refer to Section 7 for update information.

* Factory Selected Component (Refer to Section 5.)

6-217 /
(6-218 blank)

Table 6-3. Replaceable Parts

Reference Designation	HP Part Number	C D	Qty.	Description	Mfr. Code	Mfr. Part Number
A12A4						
A12A4	08663-60307	9	1	DOUBLER #1 ASSEMBLY	28480	08663-60307
	08663-60106	6	1	RESTORED DOUBLER #1 ASSEMBLY	28480	08663-60106
A12A4C1	0160-3875	3		CAPACITOR-FXD 22PF +5% 200VDC CER 0 + -30	28480	0160-3875
A12A4C2	0160-3876	4		CAPACITOR-FXD 47PF +20% 200VDC CER	28480	0160-3876
A12A4C3	0160-3876	4		CAPACITOR-FXD 47PF +20% 200VDC CER	28480	0160-3876
A12A4C4	0160-3876	4		CAPACITOR-FXD 47PF +20% 200VDC CER	28480	0160-3876
A12A4C5	0160-3876	4		CAPACITOR-FXD 47PF +20% 200VDC CER	28480	0160-3876
A12A4C6	0160-3876	4		CAPACITOR-FXD 47PF +20% 200VDC CER	28480	0160-3876
A12A4C7	0160-3877	5		CAPACITOR-FXD 100PF +20% 200VDC CER	28480	0160-3877
A12A4C8	0160-3876	4		CAPACITOR-FXD 47PF +20% 200VDC CER	28480	0160-3876
A12A4C9	0160-3876	4		CAPACITOR-FXD 47PF +20% 200VDC CER	28480	0160-3876
A12A4C10	0160-3876	4		CAPACITOR-FXD 47PF +20% 200VDC CER	28480	0160-3876
A12A4C11	0160-3876	4		CAPACITOR-FXD 47PF +20% 200VDC CER	28480	0160-3876
A12A4C12	0160-3876	4		CAPACITOR-FXD 47PF +20% 200VDC CER	28480	0160-3876
A12A4C13	0160-3876	4		CAPACITOR-FXD 47PF +20% 200VDC CER	28480	0160-3876
A12A4C14	0160-3876	4		CAPACITOR-FXD 47PF +20% 200VDC CER	28480	0160-3876
A12A4C15	0160-3876	4		CAPACITOR-FXD 47PF +20% 200VDC CER	28480	0160-3876
A12A4C16	0160-3876	4		CAPACITOR-FXD 47PF +20% 200VDC CER	28480	0160-3876
A12A4C17	0180-0228	6		CAPACITOR-FXD 22UF +10% 15VDC TA	56289	150D226X9015B2
A12A4C18	0160-3877	5		CAPACITOR-FXD 100PF +20% 200VDC CER	28480	0160-3877
A12A4C23	0180-0116	1		CAPACITOR-FXD 6.8UF +10% 35VDC TA	56289	150D685X9035B2
A12A4C24	0180-1735	2	2	CAPACITOR-FXD .22UF +10% 35VDC TA	56289	150D224X9035A2
A12A4C25	0160-2055	9		CAPACITOR-FXD .01UF +80-20% 100VDC CER	28480	0160-2055
A12A4C27	0180-1746	5		CAPACITOR-FXD 15UF +10% 20VDC TA	56289	150D156X9020B2
A12A4C28	0160-3877	5		CAPACITOR-FXD 100PF +20% 200VDC CER	28480	0160-3877
A12A4C29	0180-0228	6		CAPACITOR-FXD 22UF +10% 15VDC TA	56289	150D226X9015B2
A12A4C31	0180-0229	7		CAPACITOR-FXD 33UF +10% 10VDC TA	56289	150D336X9010B2
A12A4C32	0180-0197	6		CAPACITOR-FXD 2.2UF +10% 20VDC TA	56289	150D225X9020A2
A12A4C33	0180-0116	1		CAPACITOR-FXD 6.8UF +10% 35VDC TA	56289	150D685X9035B2
A12A4C35	0180-1735	2		CAPACITOR-FXD .22UF +10% 35VDC TA	56289	150D224X9035A2
A12A4C36	0160-3877	5		CAPACITOR-FXD 100PF +20% 200VDC CER	28480	0160-3877
A12A4C37	0160-2055	9		CAPACITOR-FXD .01UF +80-20% 100VDC CER	28480	0160-2055
A12A4C38	0160-0127	2		CAPACITOR-FXD 1UF +20% 25VDC CER	28480	0160-0127
A12A4CR1	1901-0050	3		DIODE-SWITCHING 80V 200MA 2NS DO-35	28480	1901-0050
A12A4CR2	1901-0535	9	1	DIODE-SM SIG SCHOTTKY	28480	1901-0535
A12A4CR4	1901-0050	3		DIODE-SWITCHING 80V 200MA 2NS DO-35	28480	1901-0050
	2190-0124	4		WASHER-LK INTL T NO. 10 .195-IN-ID	28480	2190-0124
A12A4L1	9100-3922	4		INDUCTOR-FIXED 120-1300 HZ	28480	9100-3922
A12A4L2	9100-3922	4		INDUCTOR-FIXED 120-1300 HZ	28480	9100-3922
A12A4L3	9100-3922	4		INDUCTOR-FIXED 120-1300 HZ	28480	9100-3922
A12A4L4	9100-3922	4		INDUCTOR-FIXED 120-1300 HZ	28480	9100-3922
A12A4L5	9100-1636	3	1	INDUCTOR RF-CH-MLD 110UH 5% .166DX.395LG	28480	9100-1636
A12A4L6	9100-3922	4		INDUCTOR-FIXED 120-1300 HZ	28480	9100-3922
A12A4MP1	08663-00054	7	1	COVER, 2/3 END #1	28480	08663-00054
	2360-0113	2		SCREW-MACH 6-32 .25-IN-LG PAN-HD-POZI	00000	ORDER BY DESCRIPTION
	2950-0078	9		NUT-HEX-DBL-CHAM 10-32-THD .067-IN-THK	28480	2950-0078
A12A4MP2	5001-0176	0		GROUND STRAP	28480	5001-0176
	2950-0078	9		NUT-HEX-DBL-CHAM 10-32-THD .067-IN-THK	28480	2950-0078

1 Refer to Section 7 for update information.

*Factory Selected Component (Refer to Section 5).

Δ Errata part change.

Table 6-3. Replaceable Parts

Reference Designation	HP Part Number	C D	Qty.	Description	Mfr. Code	Mfr. Part Number
A12A4MP3	5001-0176	0		GROUND STRAP	28480	5001-0176
A12A4MP4	08662-20285	7	2	CONTACT-FINGER	28480	08662-20285
A12A4MP5	08662-20285	7		CONTACT-FINGER	28480	08662-20285
A12A4Q1	1853-0020	4		TRANSISTOR PNP SI PD = 300MW FT = 150MHZ	28480	1853-0020
A12A4Q2	1853-0020	4		TRANSISTOR PNP SI PD = 300MW FT = 150MHZ	28480	1853-0020
A12A4Q3	1854-0071	7		TRANSISTOR NPN SI PD = 300MW FT = 200MHZ	28480	1854-0071
A12A4Q4	1854-0071	7		TRANSISTOR NPN SI PD = 300MW FT = 200MHZ	28480	1854-0071
A12A4Q5	1854-0071	7		TRANSISTOR NPN SI PD = 300MW FT = 200MHZ	28480	1854-0071
A12A4Q6	1854-0071	7		TRANSISTOR NPN SI PD = 300MW FT = 200MHZ	28480	1854-0071
A12A4Q7	1853-0020	4		TRANSISTOR PNP SI PD = 300MW FT = 150MHZ	28480	1853-0020
A12A4R1	0698-7212	9		RESISTOR 100 1% .05W F TC = 0+-100	24546	C3-1/8-T0-100R-F
A12A4R2	0698-7212	9		RESISTOR 100 1% .05W F TC = 0+-100	24546	C3-1/8-T0-100R-F
A12A4R3	0698-7212	9		RESISTOR 100 1% .05W F TC = 0+-100	24546	C3-1/8-T0-100R-F
A12A4R4	0698-7212	9		RESISTOR 100 1% .05W F TC = 0+-100	24546	C3-1/8-T0-100R-F
A12A4R5	0698-7212	9		RESISTOR 100 1% .05W F TC = 0+-100	24546	C3-1/8-T0-100R-F
A12A4R6	0698-7212	9		RESISTOR 100 1% .05W F TC = 0+-100	24546	C3-1/8-T0-100R-F
A12A4R7	0698-7212	9		RESISTOR 100 1% .05W F TC = 0+-100	24546	C3-1/8-T0-100R-F
A12A4R8	0698-7212	9		RESISTOR 100 1% .05W F TC = 0+-100	24546	C3-1/8-T0-100R-F
A12A4R9	0698-7212	9		RESISTOR 100 1% .05W F TC = 0+-100	24546	C3-1/8-T0-100R-F
A12A4R10	0698-7212	9		RESISTOR 100 1% .05W F TC = 0+-100	24546	C3-1/8-T0-100R-F
A12A4R11	0698-7212	9		RESISTOR 100 1% .05W F TC = 0+-100	24546	C3-1/8-T0-100R-F
A12A4R12	0757-0440	7		RESISTOR 7.5K 1% .125W F TC = 0+-100	24546	C4-1/8-T0-7501-F
A12A4R13	0757-0401	0		RESISTOR 100 1% .125W F TC = 0+-100	24546	C4-1/8-T0-101-F
A12A4R14	2100-3122	9	1	RESISTOR-TRMR 100 10% C SIDE-ADJ 17-TRN	02111	43P101
A12A4R15	0698-0082	7		RESISTOR 484 1% .125W F TC = 0+-100	24546	C4-1/8-T0-4640-F
A12A4R16	0757-0440	7		RESISTOR 7.5K 1% .125W F TC = 0+-100	24546	C4-1/8-T0-7501-F
A12A4R17	0757-0401	0		RESISTOR 100 1% .125W F TC = 0+-100	24546	C4-1/8-T0-101-F
A12A4R18	0757-0317	7		RESISTOR 1.33K 1% .125W F TC = 0+-100	24546	C4-1/8-T0-1331-F
A12A4R19	0757-0416	7		RESISTOR 511 1% .125W F TC = 0+-100	24546	C4-1/8-T0-511R-F
A12A4R20	0757-0420	3		RESISTOR 750 1% .125W F TC = 0+-100	24546	C4-1/8-T0-751-F
A12A4R21	0757-0280	3		RESISTOR 1K 1% .125W F TC = 0+-100	24546	C4-1/8-T0-1001-F
A12A4R22	0698-3150	6		RESISTOR 2.37K 1% .125W F TC = 0+-100	24546	C4-1/8-T0-2371-F
A12A4R23	2100-3095	5	1	RESISTOR-TRMR 200 10% C SIDE-ADJ 17-TRN	02111	43P201
A12A4R24	0757-0438	3		RESISTOR 5.11K 1% .125W F TC = 0+-100	24546	C4-1/8-T0-5111-F
A12A4R25	0757-0438	3		RESISTOR 5.11K 1% .125W F TC = 0+-100	24546	C4-1/8-T0-5111-F
A12A4R26	0757-0420	3		RESISTOR 750 1% .125W F TC = 0+-100	24546	C4-1/8-T0-751-F
A12A4R27	0698-3264	3	1	RESISTOR 11.8K 1% .125W F TC = 0+-100	24546	C4-1/8-T0-1182-F
A12A4R28	0698-3158	4		RESISTOR 23.7K 1% .125W F TC = 0+-100	24546	C4-1/8-T0-2372-F
A12A4R29	2100-3096	6	1	RESISTOR-TRMR 50K 10% C TOP-ADJ 17-TRN	32997	3292W-1-503
A12A4R30	0757-0443	0		RESISTOR 11K 1% .125W F TC = 0+-100	24546	C4-1/8-T0-1102-F
A12A4R31	0757-0280	3		RESISTOR 1K 1% .125W F TC = 0+-100	24546	C4-1/8-T0-1001-F
A12A4R32	0698-3151	7		RESISTOR 2.87K 1% .125W F TC = 0+-100	24546	C4-1/8-T0-2871-F
A12A4R33	0698-0084	9		RESISTOR 2.15K 1% .125W F TC = 0+-100	24546	C4-1/8-T0-2151-F
A12A4R34	0757-0401	0		RESISTOR 100 1% .125W F TC = 0+-100	24546	C4-1/8-T0-101-F
A12A4R35	0698-3102	8	1	RESISTOR 237 1% .5W F TC = 0+-100	28480	0698-3102
A12A4R36	0757-0416	7		RESISTOR 511 1% .125W F TC = 0+-100	24546	C4-1/8-T0-511R-F
A12A4R37	0757-0428	1		RESISTOR 1.62K 1% .125W F TC = 0+-100	24546	C4-1/8-T0-1621-F
A12A4R38	0757-0420	3		RESISTOR 750 1% .125W F TC = 0+-100	24546	C4-1/8-T0-751-F
A12A4R39 ^Δ	0698-3136	8		RESISTOR 17.8K 1% .125W F TC = 0+-100	05524	CMF-55-1, T-1
A12A4R40	2100-3678	0	1	RESISTOR-TRMR 500K 10% C TOP-ADJ 17-TRN	28480	2100-3678

[†]Refer to Section 7 for update information.

^{*}Factory Selected Component (Refer to Section 5).

^Δ Errata part change.

Table 6-3. Replaceable Parts

Reference Designation	HP Part Number	C D	Qty.	Description	Mfr. Code	Mfr. Part Number
A12A4R41	0757-0468	7		RESISTOR 51.1K 1% .125W F TC = 0+ -100	24548	C4-1/8-T0-5112-F
A12A4R42	0757-0401	0		RESISTOR 100 1% .125W F TC = 0+ -100	24548	C4-1/8-T0-101-F
<i>2234A to 2748A</i>						
<i>A12A4R43</i>	0757-0290	5		RESISTOR 6.19K 1% .125W F TC = 0+ -100	19701	MF4C1/8-T0-6191-F
<i>2823A and above</i>						
<i>A12A4R43</i>	0698-3154	0		RESISTOR 4.22k 1% .125W F TC = 0+ -100	24548	C4-1/8-T0/4221-F
A12A4R44	0757-0401	0		RESISTOR 100 1% .125W F TC = 0+ -100	24548	C4-1/8-T0-101-F
A12A4R45	0757-0417	8		RESISTOR 562 1% .125W F TC = 0+ -100	24548	C4-1/8-T0-562R-F
A12A4R48	0757-0817	2		RESISTOR 750 1% .5W F TC = 0+ -100	28480	0757-0817
A12A4R47	0698-0084	9		RESISTOR 2.15K 1% .125W F TC = 0+ -100	24548	C4-1/8-T0-2151-F
A12A4R48	0757-0280	3		RESISTOR 1K 1% .125W F TC = 0+ -100	24548	C4-1/8-T0-1001-F
A12A4R49	0698-3151	7		RESISTOR 2.87K 1% .125W F TC = 0+ -100	24548	C4-1/8-T0-2871-F
A12A4R50	0698-0084	9		RESISTOR 2.15K 1% .125W F TC = 0+ -100	24548	C4-1/8-T0-2151-F
A12A4R51	0757-0799	9	1	RESISTOR 121 1% .5W F TC = 0+ -100	28480	0757-0799
A12A4R53	0757-0487	8		RESISTOR 121K 1% .125W F TC = 0+ -100	24548	C4-1/8-T0-1213-F
A12A4R54	0757-0441	8		RESISTOR 8.25K 1% .125W F TC = 0+ -100	24548	C4-1/8-T0-8251-F
A12A4R56	2100-3109	2		RESISTOR-TRMR 2K 10% C SIDE-ADJ 17-TRN	02111	43P202
A12A4R57	0757-0279	0		RESISTOR 3.16K 1% .125W F TC = 0+ -100	24548	C4-1/8-T0-3161-F
A12A4R58	2100-3103	8	1	RESISTOR-TRMR 10K 10% C SIDE-ADJ 17-TRN	02111	43P103
A12A4R59	0757-0466	7		RESISTOR 110K 1% .125W F TC = 0+ -100	24548	C4-1/8-T0-1103-F
A12A4R60	0698-3454	3		RESISTOR 215K 1% .125W F TC = 0+ -100	24548	C4-1/8-T0-2153-F
A12A4R61	0698-0084	9		RESISTOR 2.15K 1% .125W F TC = 0+ -100	24548	C4-1/8-T0-2151-F
A12A4R62	0757-0440	7		RESISTOR 7.5K 1% .125W F TC = 0+ -100	24548	C4-1/8-T0-7501-F
A12A4TP1	1251-0600	0		CONNECTOR-SGL CONT PIN 1.14-MM-BSC-SZ SQ	28480	1251-0600
A12A4TP2	1251-0600	0		CONNECTOR-SGL CONT PIN 1.14-MM-BSC-SZ SQ	28480	1251-0600
A12A4TP3	1251-0600	0		CONNECTOR-SGL CONT PIN 1.14-MM-BSC-SZ SQ	28480	1251-0600
A12A4TP4	1251-0600	0		CONNECTOR-SGL CONT PIN 1.14-MM-BSC-SZ SQ	28480	1251-0600
A12A4TP5	1251-0600	0		CONNECTOR-SGL CONT PIN 1.14-MM-BSC-SZ SQ	28480	1251-0600
A12A4TP6	1251-0600	0		CONNECTOR-SGL CONT PIN 1.14-MM-BSC-SZ SQ	28480	1251-0600
A12A4TP7	1251-0600	0		CONNECTOR-SGL CONT PIN 1.14-MM-BSC-SZ SQ	28480	1251-0600
A12A4TP8	1251-0600	0		CONNECTOR-SGL CONT PIN 1.14-MM-BSC-SZ SQ	28480	1251-0600
A12A4TP9	1251-0600	0		CONNECTOR-SGL CONT PIN 1.14-MM-BSC-SZ SQ	28480	1251-0600
A12A4TP10	1251-0600	0		CONNECTOR-SGL CONT PIN 1.14-MM-BSC-SZ SQ	28480	1251-0600
A12A4U1	1826-0547	3		IC OP AMP LOW-BIAS-HIMPD DUAL 8-DIP-P	01295	TL072ACP
A12A4U2	08662-67009	1	1	X2 FILTER NOT RECOMMENDED FOR FIELD REPLACEMENT	28480	08662-67009
A12A4U3	08662-67010	4	1	FILTER MOD NOT RECOMMENDED FOR FIELD REPLACEMENT	28480	08662-67010
A12A4U4	1818-1008	2	1	IC TTL S 4096 (4K) PROM 75-NS 3-S	01295	TBP28S42J
A12A4U5	1200-0639	8	1	SOCKET-IC 20-CONT DIP DIP-SLDR	28480	1200-0639
A12A4U5	1826-0921	7		D/A 10-BIT 16-CBRZ/SDR CMOS	28480	1826-0921
A12A4VR1	1902-3193	3		DIODE-ZNR 13.3V 5% DO-35 PD = .4W	28480	1902-3193
A12A4VR2	1902-3193	3		DIODE-ZNR 13.3V 5% DO-35 PD = .4W	28480	1902-3193
A12A4VR3	1902-3082	9		DIODE-ZNR 4.64V 5% DO-35 PD = .4W	28480	1902-3082
A12A4W1	08662-60048	4	1	CABLE ASSEMBLY #88	28480	08662-60048

Table 6-3. Replaceable Parts

Reference Designation	HP Part Number	C D	Qty.	Description	Mfr. Code	Mfr. Part Number
A12A5						
A12A5	08663-60308	0	1	LF DOWN CONVERTER	28480	08663-60308
A12A5C1	0160-0571	0		CAPACITOR-FXD 470PF + -20% 100VDC CER	28480	0160-0571
A12A5C2	0180-2617	1		CAPACITOR-FXD 6.8UF + -10% 35VDC TA	25088	D6R8GS1B35K
A12A5C3	0160-0571	0		CAPACITOR-FXD 470PF + -20% 100VDC CER	28480	0160-0571
A12A5C4	0160-4389	6		CAPACITOR-FXD 100PF + -5PF 200VDC CER	28480	0160-4389
A12A5C5	0160-0571	0		CAPACITOR-FXD 470PF + -20% 100VDC CER	28480	0160-0571
A12A5C6	0180-2617	1		CAPACITOR-FXD 6.8UF + -10% 35VDC TA	25088	D6R8GS1B35K
A12A5C7	0160-3879	7		CAPACITOR-FXD .01UF + -20% 100VDC CER	28480	0160-3879
A12A5C8	0160-4494	4		CAPACITOR-FXD 39PF + -5% 200VDC CER 0 + -30	28480	0160-4494
A12A5C9	0160-4389	6		CAPACITOR-FXD 100PF + -5PF 200VDC CER	28480	0160-4389
A12A5C10	0160-0571	0		CAPACITOR-FXD 470PF + -20% 100VDC CER	28480	0160-0571
A12A5C12	0160-4389	6		CAPACITOR-FXD 100PF + -5PF 200VDC CER	28480	0160-4389
A12A5C13	0180-2617	1		CAPACITOR-FXD 6.8UF + -10% 35VDC TA	25088	D6R8GS1B35K
A12A5C14	0160-4389	6		CAPACITOR-FXD 100PF + -5PF 200VDC CER	28480	0160-4389
A12A5C15	0180-2661	5		CAPACITOR-FXD 1UF + -10% 50VDC TA	25088	D1R0GS1A50K
A12A5C16	0121-0451	3	1	CAPACITOR-V TRMR-AIR 1.7-11PF 175V	74970	187-0106-028
A12A5C17	0160-4389	6		CAPACITOR-FXD 100PF + -5PF 200VDC CER	28480	0160-4389
A12A5C18	0160-3879	7		CAPACITOR-FXD .01UF + -20% 100VDC CER	28480	0160-3879
A12A5C19	0160-4389	6		CAPACITOR-FXD 100PF + -5PF 200VDC CER	28480	0160-4389
A12A5C20	0160-3879	7		CAPACITOR-FXD .01UF + -20% 100VDC CER	28480	0160-3879
A12A5C21	0160-0571	0		CAPACITOR-FXD 470PF + -20% 100VDC CER	28480	0160-0571
A12A5C22	0180-2617	1		CAPACITOR-FXD 6.8UF + -10% 35VDC TA	25088	D6R8GS1B35K
A12A5C23	0160-0571	0		CAPACITOR-FXD 470PF + -20% 100VDC CER	28480	0160-0571
A12A5C24	0160-4382	9		CAPACITOR-FXD 3.3PF + -.25PF 200VDC CER	28480	0160-4382
A12A5C25	0160-4389	6		CAPACITOR-FXD 100PF + -5PF 200VDC CER	28480	0160-4389
A12A5C26	0160-4897	1	2	CAPACITOR-FXD 4.7PF + -.1PF 200VDC CER	28480	0160-4897
A12A5C27	0160-4383	0		CAPACITOR-FXD 6.8PF + -.5PF 200VDC CER	20932	5024E0200RD689D
A12A5C28	0160-4885	7	1	CAPACITOR-FXD 8.2PF + -2% 200VDC CER	28480	0160-4885
A12A5C29	0160-3874	2		CAPACITOR-FXD 10PF + -.5PF 200VDC CER	28480	0160-3874
A12A5C30	0160-4897	1		CAPACITOR-FXD 4.7PF + -.1PF 200VDC CER	28480	0160-4897
A12A5C31	0160-4383	0		CAPACITOR-FXD 6.8PF + -.5PF 200VDC CER	20932	5024E0200RD689D
A12A5C32	0160-4490	0		CAPACITOR-FXD 1.8PF + -.25PF 200VDC CER	28480	0160-4490
A12A5CR1 ^Δ	1900-0248	9		DIODE-PIN	28480	1900-0248
A12A5CR2 ^Δ	1900-0248	9		DIODE-PIN	28480	1900-0248
A12A5CR3 ^Δ	1900-0248	9		DIODE-PIN	28480	1900-0248
A12A5CR4 ^Δ	1900-0248	9		DIODE-PIN	28480	1900-0248
A12A5J1	1250-1220	0		CONNECTOR-RF SMC M PC 50-OHM	28480	1250-1220
	2190-0124	4		WASHER-LK INTL T NO. 10 .195-IN-ID	28480	2190-0124
	2950-0078	9		NUT-HEX-DBL-CHAM 10-32-THD .067-IN-THK	28480	2950-0078
A12A5J2	1250-1220	0		CONNECTOR-RF SMC M PC 50-OHM	28480	1250-1220
	2190-0124	4		WASHER-LK INTL T NO. 10 .195-IN-ID	28480	2190-0124
	2950-0078	9		NUT-HEX-DBL-CHAM 10-32-THD .067-IN-THK	28480	2950-0078
A12A5L1	9100-3922	4		INDUCTOR-FIXED 120-1300 HZ	28480	9100-3922
A12A5L2	9100-1621	6		INDUCTOR RF-CH-MLD 18UH 10% .166DX.385LG	28480	9100-1621
A12A5L3	9100-3922	4		INDUCTOR-FIXED 120-1300 HZ	28480	9100-3922
A12A5L4	9100-3922	4		INDUCTOR-FIXED 120-1300 HZ	28480	9100-3922
A12A5L5	9135-0070	0		INDUCTOR RF-CH-MLD 24NH 7% .102DX.26LG	28480	9135-0070

†Refer to Section 7 for update information.

*Factory Selected Component (Refer to Section 5).

Δ Errata part change.

Table 6-3. Replaceable Parts

Reference Designation	HP Part Number	C D	Qty.	Description	Mfr. Code	Mfr. Part Number
A12A5L6	9100-2247	4		INDUCTOR RF-CH-MLD 100NH 10% .105DX.26LG	28480	9100-2247
A12A5L7	9100-3922	4		INDUCTOR-FIXED 120-1300 HZ	28480	9100-3922
A12A5L8	9100-3922	4		INDUCTOR-FIXED 120-1300 HZ	28480	9100-3922
A12A5L10	9100-3922	4		INDUCTOR-FIXED 120-1300 HZ	28480	9100-3922
A12A5L11	9135-0076	6		INDUCTOR RF-CH-MLD 39NH 8% .102DX.26LG	28480	9135-0076
A12A5L12	9135-0069	7		INDUCTOR RF-CH-MLD 30NH 5% .102DX.26LG	28480	9135-0069
A12A5L13	9100-3922	4		INDUCTOR-FIXED 120-1300 HZ	28480	9100-3922
A12A5L14	9100-2247	4		INDUCTOR RF-CH-MLD 100NH 10% .105DX.26LG	28480	9100-2247
A12A5L15	9135-0069	7		INDUCTOR RF-CH-MLD 30NH 5% .102DX.26LG	28480	9135-0069
A12A5L16	9135-0069	7		INDUCTOR RF-CH-MLD 30NH 5% .102DX.26LG	28480	9135-0069
A12A5L17	9135-0069	7		INDUCTOR RF-CH-MLD 30NH 5% .102DX.26LG	28480	9135-0069
A12A5L18	9135-0069	7		INDUCTOR RF-CH-MLD 30NH 5% .102DX.26LG	28480	9135-0069
A12A5L19	9100-1630	7		INDUCTOR RF-CH-MLD 51UH 5% .166DX.385LG	28480	9100-1630
A12A5MP1	08663-00055	8	1	COVER-EXT DOWN CONVERTER	28480	08663-00055
A12A5MP2	2360-0113	2		SCREW-MACH 6-32 .25-IN-LG PAN-HD-POZI	00000	ORDER BY DESCRIPTION
A12A5MP3	5001-0176	0		GROUND STRAP	28480	5001-0176
A12A5MP4	5001-0176	0		GROUND STRAP	28480	5001-0176
A12A5MP5	08662-00040	0		SHIELD-COMPONENT (SMALL)	28480	08662-00040
A12A5MP5	08662-00038	6		SHIELD-CIRCUIT (SMALL)	28480	08662-00038
A12A5Q1	1853-0036	2	2	TRANSISTOR PNP SI PD=310MW FT=250MHZ	28480	1853-0036
A12A5Q2	1854-0720	3		TRANSISTOR NPN SI PD=500MW FT=4GHZ	28480	1854-0720
A12A5Q3	1853-0036	2		TRANSISTOR PNP SI PD=310MW FT=250MHZ	28480	1853-0036
A12A5Q4	1854-0477	7		TRANSISTOR NPN 2N2222A SI TO-18 PD=500MW	04713	2N2222A
A12A5Q5	1854-0720	3		TRANSISTOR NPN SI PD=500MW FT=4GHZ	28480	1854-0720
A12A5Q6	1854-0720	3		TRANSISTOR NPN SI PD=500MW FT=4GHZ	28480	1854-0720
A12A5R1	0699-1426	7	2	RESISTOR 287 1% .125W F TC=0+-100	28480	0699-1426
A12A5R3A	0699-1350	6		RESISTOR 17.8 1% F TC=0+-100	28480	0699-1350
A12A5R3B	0699-0174	0		RESISTOR 11.6 5% .1W C TC=0+-200	28480	0699-0174
A12A5R4	0698-7236	7		RESISTOR 1K 1% .05W F TC=0+-100	24546	C3-1/8-TO-1001-F
A12A5R5	0698-7188	8		RESISTOR 10 1% .05W F TC=0+-100	24546	C3-1/8-TO-10R-F
A12A5R6	0698-7263	0		RESISTOR 13.3K 1% .05W F TC=0+-100	24546	C3-1/8-TO-1332-F
A12A5R7	0699-1426	7	2	RESISTOR 287 1% .125W F TC=0+-100	28480	0699-1426
A12A5R8	0698-7236	7		RESISTOR 1K 1% .05W F TC=0+-100	24546	C3-1/8-TO-1001-F
A12A5R9	0698-7249	2		RESISTOR 3.48K 1% .05W F TC=0+-100	24546	C3-1/8-TO-3481-F
A12A5R10	0698-7246	9		RESISTOR 2.61K 1% .05W F TC=0+-100	24546	C3-1/8-TO-2611-F
A12A5R11	0698-7220	9		RESISTOR 215 1% .05W F TC=0+-100	24546	C3-1/8-TO-215R-F
A12A5R12	0698-7198	0		RESISTOR 26.1 1% .05W F TC=0+-100	24546	C3-1/8-TO-26R1-F
A12A5R13	0699-0128	4	4	RESISTOR 10 5% .1W C TC=0+-200	26654	3C100J
A12A5R14	0698-7247	0	1	RESISTOR 2.87K 1% .05W F TC=0+-100	24546	C3-1/8-TO-2871-F
A12A5R15	0699-0128	4		RESISTOR 10 5% .1W C TC=0+-200	26654	3C100J
A12A5R16	0757-0198	2	1	RESISTOR 100 1% .5W F TC=0+-100	28480	0757-0198
A12A5R17	0698-7244	7		RESISTOR 2.15K 1% .05W F TC=0+-100	24546	C3-1/8-TO-2151-F
A12A5R18	0757-1094	9		RESISTOR 1.47K 1% .125W F TC=0+-100	24546	C4-1/8-TO-1471-F
A12A5R19	0698-7219	6		RESISTOR 196 1% .05W F TC=0+-100	24546	C3-1/8-TO-196R-F
A12A5R20	0698-7158	2	1	RESISTOR 100K .01% .5W F TC=0+-1	28480	0698-7158
A12A5R21	0698-7233	4		RESISTOR 750 1% .05W F TC=0+-100	24546	C3-1/8-TO-750R-F
A12A5R22	0698-7236	7		RESISTOR 1K 1% .05W F TC=0+-100	24546	C3-1/8-TO-1001-F
A12A5R23	0698-7219	6		RESISTOR 196 1% .05W F TC=0+-100	24546	C3-1/8-TO-196R-F

†Refer to Section 7 for update information.

*Factory Selected Component (Refer to Section 5).

Table 6-3. Replaceable Parts

Reference Designation	HP Part Number	C D	Qty.	Description	Mfr. Code	Mfr. Part Number
A12A5R24	0898-7238	7		RESISTOR 1K 1% .05W F TC=0+-100	24548	C3-1/8-T0-1001-F
A12A5R25	0898-7188	8		RESISTOR 10 1% .05W F TC=0+-100	24548	C3-1/8-T0-10R-F
A12A5R26	0898-0084	9		RESISTOR 2.15K 1% .125W F TC=0+-100	24548	C4-1/8-T0-2151-F
A12A5R27	0898-3150	6		RESISTOR 2.37K 1% .125W F TC=0+-100	24548	C4-1/8-T0-2371-F
A12A5R28	0898-7246	9		RESISTOR 2.61K 1% .05W F TC=0+-100	24548	C3-1/8-T0-2611-F
A12A5R29	0898-7220	9		RESISTOR 215 1% .05W F TC=0+-100	24548	C3-1/8-T0-215R-F
A12A5R30	0898-7198	0		RESISTOR 25.1 1% .05W F TC=0+-100	24548	C8-1/8-T0-26R1-F
A12A5R31	0899-0128	4		RESISTOR 10 5% .1W C TC=0+-200	26654	3C100J
A12A5R33	0899-0128	4		RESISTOR 10 5% .1W C TC=0+-200	26654	3C100J
A12A5R34	0898-3334	8	1	RESISTOR 178 1% .5W F TC=0+-100	28480	0898-3334
A12A5R35	0898-7188	8		RESISTOR 10 1% .05W F TC=0+-100	24548	C3-1/8-T0-10R-F
A12A5R36	0899-0130	8		RESISTOR 287 5% .1W C TC=0+-200	28480	0899-0130
A12A5R37	0899-0130	8		RESISTOR 287 5% .1W C TC=0+-200	28480	0899-0130
A12A5R38	0899-0129	5		RESISTOR 17.6 5% .1W C TC=0+-200	28480	0899-0129
A12A5R39	0899-0129	5		RESISTOR 17.6 5% .1W C TC=0+-200	28480	0899-0129
A12A5R40	0899-0130	8		RESISTOR 287 5% .1W C TC=0+-200	28480	0899-0130
A12A5R41	0899-0130	8		RESISTOR 287 5% .1W C TC=0+-200	28480	0899-0130
A12A5TP1	1251-1558	7		CONNECTOR-SGL CONT SKT .018-IN-BSC-SZ	28480	1251-1558
A12A5TP2	1251-1558	7		CONNECTOR-SGL CONT SKT .018-IN-BSC-SZ	28480	1251-1558
A12A5TP3	1251-0600	0		CONNECTOR-SGL CONT PIN 1.14-MM-BSC-SZ SQ	28480	1251-0600
A12A5TP4	1251-1558	7		CONNECTOR-SGL CONT SKT .018-IN-BSC-SZ	28480	1251-1558
A12A5TP5	1251-1558	7		CONNECTOR-SGL CONT SKT .018-IN-BSC-SZ	28480	1251-1558
A12A5TP6	1251-1558	7		CONNECTOR-SGL CONT SKT .018-IN-BSC-SZ	28480	1251-1558
A12A5TP7	1251-1558	7		CONNECTOR-SGL CONT SKT .018-IN-BSC-SZ	28480	1251-1558
A12A5TP8	1251-0600	0		CONNECTOR-SGL CONT PIN 1.14-MM-BSC-SZ SQ	28480	1251-0600
A12A5TP9	1251-0600	0		CONNECTOR-SGL CONT PIN 1.14-MM-BSC-SZ SQ	28480	1251-0600
A12A5TP10	1251-0600	0		CONNECTOR-SGL CONT PIN 1.14-MM-BSC-SZ SQ	28480	1251-0600
A12A5TP11	1251-0600	0		CONNECTOR-SGL CONT PIN 1.14-MM-BSC-SZ SQ	28480	1251-0600
A12A5U1	08882-67002	4		UHF POWER AMPLIFIER	28480	08882-67002
	0340-0834	0		INSULATOR-XSTR POLY	28480	0340-0834
	08882-20291	5	1	HEAT SINK	28480	08882-20291
A12A5U2	0980-0495	3	1	MIXER-DOUBLE BALANCED FREQ RANGE; LO	28480	0980-0495
A12A5W1	08882-20046	8	1	CABLE SEMIRIGID #46	28480	08882-20046
A12A5W2	08882-20050	4	1	CABLE SEMIRIGID	28480	08882-20050

†Refer to Section 7 for update information.

*Factory Selected Component (Refer to Section 5).

Table 6-3. Replaceable Parts

Reference Designation	HP Part Number	C D	Qty.	Description	Mfr. Code	Mfr. Part Number
A12A6						
A12A6	08663-60300	2	1	OUTPUT SECTION MOTHERBOARD ASSEMBLY	28480	08663-60300
A12A6C1	0160-3879	6		CAPACITOR-FXD 1000PF +-20% 100VDC CER	28480	0160-3879
A12A6C2	0160-3879	6		CAPACITOR-FXD 1000PF +-20% 100VDC CER	28480	0160-3879
A12A6C3	0160-3879	6		CAPACITOR-FXD 1000PF +-20% 100VDC CER	28480	0160-3879
A12A6C4	0160-3879	6		CAPACITOR-FXD 1000PF +-20% 100VDC CER	28480	0160-3879
A12A6C5	0160-3879	6		CAPACITOR-FXD 1000PF +-20% 100VDC CER	28480	0160-3879
A12A6C6	0160-3879	6		CAPACITOR-FXD 1000PF +-20% 100VDC CER	28480	0160-3879
A12A6C7	0160-3879	6		CAPACITOR-FXD 1000PF +-20% 100VDC CER	28480	0160-3879
A12A6C8	0160-3879	6		CAPACITOR-FXD 1000PF +-20% 100VDC CER	28480	0160-3879
A12A6C9	0160-0576	5		CAPACITOR-FXD .1UF +-20% 50VDC CER	28480	0160-0576
A12A6J1	1200-0508	0		SOCKET-IC 14-COINT DIP-SLDR	28480	1200-0508
A12A6J2	1200-0507	9		SOCKET-IC 16-COINT DIP-SLDR	28480	1200-0507
A12A6J3	1200-0508	0		SOCKET-IC 14-COINT DIP-SLDR	28480	1200-0508
<i>2234A TO 2449A</i>						
A12A6L1	9140-0335	1		INDUCTOR 110UH 15% .47DX1.25LG Q=10	28480	9140-0335
<i>2411 AND ABOVE</i>						
A12A6L1	9100-4078	3		INDUCTOR 650H 54%	28480	9100-4078
A12A6L2	9100-3922	4		INDUCTOR-FIXED 120-1300 HZ	28480	9100-3922
A12A6L7	9100-4078	3		INDUCTOR 650H 54%	28480	9100-4078
A12A6MP1	1251-0600	0		CONNECTOR-SGL COINT PIN 1.14-MM-BSC-SZ SQ	28480	1251-0600
A12A6MP2	1251-0600	0		CONNECTOR-SGL COINT PIN 1.14-MM-BSC-SZ SQ	28480	1251-0600
A12A6MP3	1251-0600	0		CONNECTOR-SGL COINT PIN 1.14-MM-BSC-SZ SQ	28480	1251-0600
A12A6MP4	1251-0600	0		CONNECTOR-SGL COINT PIN 1.14-MM-BSC-SZ SQ	28480	1251-0600
A12A6MP5	1251-0600	0		CONNECTOR-SGL COINT PIN 1.14-MM-BSC-SZ SQ	28480	1251-0600
A12A6TP1	0360-0535	0		TERMINAL TEST POINT PCB	00000	ORDER BY DESCRIPTION
A12A6TP2	0360-0535	0		TERMINAL TEST POINT PCB	00000	ORDER BY DESCRIPTION
A12A6XA12A1	1251-1633	1		CONNECTOR-PC EDGE 15-COINT/ROW 1-ROW	28480	1251-1633
A12A6XA12A2	1251-1633	1		CONNECTOR-PC EDGE 15-COINT/ROW 1-ROW	28480	1251-1633
A12A6XA12A3	1251-1631	9		CONNECTOR-PC EDGE 10-COINT/ROW 1-ROW	28480	1251-1631
A12A6XA12A4	1251-2035	9		CONNECTOR-PC EDGE 15-COINT/ROW 2-ROWS	28480	1251-2035
A12A6XA12A5	1251-1631	9		CONNECTOR-PC EDGE 10-COINT/ROW 1-ROW	28480	1251-1631

† Refer to Section 7 for update information.

* Factory Selected Component (Refer to Section 5.)

6-227/
(6-228 blank)

Table 6-3. Replaceable Parts

Reference Designation	HP Part Number	C D	Qty.	Description	Mfr. Code	Mfr. Part Number
CHASSIS PARTS/MISCELLANEOUS PARTS						
AT1	08663-60104	4	1	ATTENUATOR SET-FRONT OUTPUT (STD ONLY)	28480	08663-60104
AT1	08663-60105	5	1	ATTENUATOR SET-REAR OUTPUT (OPT 001/002)	28480	08663-60105
2234A TO 2405A						
AT2						
NOT ASSIGNED						
2408A AND ABOVE						
AT2	1250-0207	1	1	TERMINATION-COAXIAL SERIES BNC; 50 OHMS (STD)	28480	1250-0207
AT2	1250-0839	5	1	TERMINATION-COAXIAL SMC FEMALE; 50 OHMS (OPT 001/002)	28480	1250-0839
2234A TO 2846A						
B1 †						
FAN						
2918A AND ABOVE						
B1	3160-0471	2	1	FAN-TBAX 108-CFM 24VDC .8KV-DIEL	28480	3160-0471
F1	2110-0010	9	1	FUSE 5A 250V NTD 1.25X.25 UL (LINE FUSE FOR ABOVE 115V OPERATION)	75915	312005
F1	2110-0083	6	1	FUSE 2.5A 250V NTD 1.25X.25 UL (LINE FUSE FOR 230V OPERATION)	28480	2110-0083
F2	2110-0063	2	1	FUSE .75A 250V NTD 1.25X.25 UL (OVEN FUSE FOR 115V OPERATION)	28480	2110-0063
F2	2110-0012	1	1	FUSE .5A 250V NTD 1.25X.25 UL (OVEN FUSE FOR 230V OPERATION)	28480	2110-0012
FL1	08662-60011	1	1	520 MHZ BAND PASS FILTER	28480	08662-60011
2234A TO 3043A						
FL2						
3110A AND ABOVE						
FL2	9135-0195	0	1	FILTER-LINE WIRE LEAD-TERMS	28480	9135-0195
FL2	9135-0430	6	1	FILTER-LINE WIRE LEAD-TERMS	02085	6ET3 MODIFIED
J1						
	1250-1091	3	3	NSR P/O W1 "AM IN" (STD. & OPT 002)	28480	1250-1091
	2190-0068	5	4	CONNECTOR-RF BNC FEM SGL-HOLE-RR 50-OHM	28480	2190-0068
	0590-1011	6	3	WASHER-LK INTL T 1/2 IN .505-IN-ID	28480	0590-1011
				NUT-KNRLD-R 15/32-32-THD .12-IN-THK	28480	0590-1011
J2						
	1250-1091	3		NSR P/O W2 "FM IN" (STD; OPT 002)	28480	1250-1091
	2190-0068	5		CONNECTOR-RF BNC FEM SGL-HOLE-RR 50-OHM	28480	2190-0068
	0590-1011	6		WASHER-LK INTL T 1/2 IN .505-IN-ID	28480	0590-1011
				NUT-KNRLD-R 15/32-32-THD .12-IN-THK	28480	0590-1011
J3						
	1250-1091	3		NSR P/O W3 "PHASE MOD INPT" (OPT 002)	28480	1250-1091
	2190-0068	5		CONNECTOR-RF BNC FEM SGL-HOLE-RR 50-OHM	28480	2190-0068
	0590-1011	6		WASHER-LK INTL T 1/2 IN .505-IN-ID	28480	0590-1011
				NUT-KNRLD-R 15/32-32-THD .12-IN-THK	28480	0590-1011
J4						
	08662-60304	5	1	OUTPUT CONNECTOR ASSEMBLY	28480	08662-60304
	1250-0915	8	1	CONTACT-RF CONN SER APC-N FEMALE	9D949	131-149
	2190-0104	0	1	WASHER-LK INTL T 7/16 IN .439-IN-ID	28480	2190-0104
	2950-0132	6	1	NUT-HEX-DBL-CHAM 7/16-28-THD .094-IN-THK	00000	ORDER BY DESCRIPTION
	2360-0116	5	2	SCREW-MACH 6-32 .312-IN-LG 82 DEG	00000	ORDER BY DESCRIPTION
	5021-0863	4	1	BODY-RF CONNECTOR	28480	5021-0863
	5040-0306	0	1	INSULATOR	28480	5040-0306
	08555-20093	5	1	CONTACT JACK	28480	08555-20093
	08555-20094	6	1	BODY BULKHEAD	28480	08555-20094
	08731-210	2	1	NUT LOCK	28480	08731-210
	08761-2027	4	1	INSULATOR	28480	08761-2027
J6						
J7						
J8						
J10						
J12						
J13						
J14	SAME AS J4	7	1	NSR P/O W2 "FM IN" (OPT. 001) (OPTION 001 ONLY)	28480	SAME AS J4
J15				NSR P/O W93 "640 MHZ"		
2234A TO 2405A						
J16						
2408A AND ABOVE						
J16	1250-0083	1	1	CONNECTOR-RF BNC FEM SGL-HOLE-FR 50-OHM (STD)	28480	1250-0083
J16	1250-0829	3	1	CONNECTOR-RF SMC M SGL-HOLE-FR 50-OHM (OPT 001)	28480	1250-0829

†Refer to Section 7 for update information.

*Factory Selected Component (Refer to Section 5).

△ Errata part change.

Table 6-3. Replaceable Parts

Reference Designation	HP Part Number	C D	Qty.	Description	Mfr. Code	Mfr. Part Number
MP1	08662-00176	3	1	RIGHT PANEL SUPPORT	28480	08662-00176
MP2	08662-00063	7	1	LEFT PANEL SUPPORT	28480	08662-00063
MP3	3050-0226	2	1	WASHER-FL MTLCL NO. 10 .203-IN-ID	28480	3050-0226
MP4	0510-0045	6		RETAINER-RING E-R EXT .188-IN-DIA STL	28480	0510-0045
MP5	08662-20024	2	1	SUPPORT PANEL TOP	28480	08662-20024
2234A TO 2651A						
MP6	08663-00021	8	1	SUB-PANEL	28480	08663-00021
2700A AND ABOVE						
MP6	08663-00120	8	1	SUB-PANEL	28480	08663-00120
MP7	08662-20301	9	1	SUB-PANEL BOTTOM	28480	08662-20301
MP8	2200-0165	6	1	SCREW-MACH 4-40 .25-IN-LG 82 DEG	00000	ORDER BY DESCRIPTION
2234A TO 2918A						
MP9				NO LONGER AVAILABLE, SEE SECTION 7		
2936A AND ABOVE						
MP9	08663-00125	3	1	SWEEP PANEL	28480	08663-00125
MP9B	0510-1148	2	2	RETAINER-PUSH ON KB-TO-SHFT EXT	28480	0510-1148
MP10	5040-6928	4	1	STRIP-DIVIDER	28480	5040-6928
2234A TO 2918A						
MP11				NO LONGER AVAILABLE, SEE SECTION 7		
2936A AND ABOVE						
MP11	08663-00127	5	1	FRONT CASTING	28480	08663-00127
MP12	2200-0103	2		SCREW-MACH 4-40 .25-IN-LG PAN-HD-POZI	28480	2200-0103
2234A TO 2918A						
MP13				NO LONGER AVAILABLE, SEE SECTION 7		
MP14				NO LONGER AVAILABLE, SEE SECTION 7		
MP15				NO LONGER AVAILABLE, SEE SECTION 7		
MP16				NO LONGER AVAILABLE, SEE SECTION 7		
2936A AND ABOVE						
MP13	08663-00121	9	1	RIGHT CONNECTOR PANEL (OPT. 001)	28480	08663-00121
MP14	08663-00124	2	1	RIGHT CONNECTOR PANEL (STD. ONLY)	28480	08663-00124
	0510-1148	2		RETAINER-PUSH ON KB-TO-SHFT EXT	28480	0510-1148
MP15	08663-00122	0	1	RIGHT CONNECTOR PANEL (OPT. 002)	28480	08663-00122
	1400-0053	4	1	CLAMP-CABLE .172-DIA .375-WD NYL	28480	1400-0053
	2190-0003	8	2	WASHER-LK HLCL NO. 4 .115-IN-ID	28480	2190-0003
	2200-0145	2	1	SCREW-MACH 4-40 .438-IN-LG PAN-HD-POZI	00000	ORDER BY DESCRIPTION
	3050-0105	6	2	WASHER-FL MTLCL NO. 4 .125-IN-ID	28480	3050-0105
MP16	08663-00123	1	1	MAIN PANEL	28480	08663-00123
	2950-0001	8	1	NUT-HEX-DBL-CHAM 3/8-32-THD .094-IN-THK	00000	ORDER BY DESCRIPTION
MP17	2190-0016	3	1	WASHER-LK INTL T 3/8 IN .377-IN-ID	28480	2190-0016
MP18	0370-2389	7	1	KNOB-BASE 1-1/2 JGK .25-IN-ID	28480	0370-2389
MP19	08662-20300	7	1	RIGHT PIN HINGE	28480	08662-20300
	0510-0045	6	3	RETAINER-RING E-R EXT .188-IN-DIA STL	28480	0510-0045
MP20	08662-20016	2	1	LEFT PIN HINGE	28480	08662-20016
	0510-0045	6		RETAINER-RING E-R EXT .188-IN-DIA STL	28480	0510-0045
MP21	1400-0014	7	1	CABLE CLAMP-HFCL .5-DIA .375-WD STL	28480	1400-0014
	2360-0113	2	6	SCREW-MACH 6-32 .25-IN-LG PAN-HD-POZI	00000	ORDER BY DESCRIPTION
2234A TO 2918A						
MP22				NO LONGER AVAILABLE, SEE SECTION 7		
MP22	5020-8805	8	1	FRONT FRAME-ENGLISH CAB.	28480	5020-8805
2936A AND ABOVE						
MP22	5021-8405	6	1	FRONT FRAME-METRIC CAB.	28480	5020-8405
2234A TO 2619A						
MP23 †				REAR PANEL		
2620A, 2704A AND ABOVE						
MP23	08663-20059	4	1	REAR PANEL	28480	08663-20059
2234A TO 2513A						
MP24	5020-8838	7	1	CORNER STRUTS - ENGLISH CABINET	28480	5020-8838
MP25	2510-0192	6	1	SCREW-MACH 8-32 .25-IN-LG 100 DEG ENGLISH CABINET	00000	ORDER BY DESCRIPTION

† Refer to Section 7 for update information.

* Factory Selected Component (Refer to Section 5).

Δ Errata part change.

Table 6-3. Replaceable Parts

Reference Designation	HP Part Number	C D	Qty.	Description	Mfr. Code	Mfr. Part Number
<i>2516A AND ABOVE</i>						
MP24	5021-5838	3	1	CORNER STRUTS - METRIC CABINET	28480	5021-5838
MP25	0515-1331	5	1	SCREW-METRIC SPECIALTY M4 X 0.7 THD; 6 METRIC CABINET	28480	0515-1331
<i>MP26</i>						
	08663-00035	4	1	ATTENUATOR BRACKETS	28480	08663-00035
	2200-0103	2	2	SCREW-MACH 4-40 .25-IN-LG PAN-HD-POZI	28480	2200-0103
<i>MP27</i>						
	08662-00053	5	1	REAR GUSSET	28480	08662-00053
MP28	2360-0113	2		SCREW-MACH 6-32 .25-IN-LG PAN-HD-POZI	00000	ORDER BY DESCRIPTION
MP29	08662-00133	2	1	GUSSET SUPPORT #2	28480	08662-00133
MP30	2360-0117	6	1	SCREW-MACH 6-32 .375-IN-LG PAN-HD-POZI	00000	ORDER BY DESCRIPTION
MP31	08663-00017	2	1	GUSSET SUPPORT #3	28480	08663-00017
<i>MP32</i>						
	08663-00016	1	1	GUSSET #2	28480	08663-00016
MP33	08663-00001	4	1	CENTER GUSSET SUPPORT	28480	08663-00001
MP34	08663-00015	0	1	FRONT GUSSET #1	28480	08663-00015
MP35	2420-0001	5		NUT-HEX-W/LKWR 6-32-THD .109-IN-THK	00000	ORDER BY DESCRIPTION
MP36				NOT ASSIGNED		
<i>MP37</i>						
				NOT ASSIGNED		
MP38	2360-0115	4	2	SCREW-MACH 6-32 .312-IN-LG PAN-HD-POZI	00000	ORDER BY DESCRIPTION
MP39	3050-0227	3		WASHER-FL MTLCL NO. 6 .149-IN-ID	28480	3050-0227
MP40	2360-0118	7	1	SCREW-MACH 6-32 .375-IN-LG 82 DEG	00000	ORDER BY DESCRIPTION
MP41	3050-0103	4	1	WASHER-FL MTLCL NO. 12 .25-IN-ID	28480	3050-0103
<i>MP42</i>						
	08663-00027	4	1	WIRE DUCT	28480	08663-00027
	2190-0018	5	2	WASHER-LK HLCL NO. 6 .141-IN-ID	28480	2190-0018
	3050-0227	3	4	WASHER-FL MTLCL NO. 6 .149-IN-ID	28480	3050-0227
<i>MP43</i>						
	08662-00036	4	1	SUPPORT BRACKET	28480	08662-00036
	2360-0242	8	1	SCREW-MACH 6-32 1.25-IN-LG PAN-HD-POZI	00000	ORDER BY DESCRIPTION
MP44	08662-00023	9	1	OSCILLATOR SUPPORT	28480	08662-00023
	2200-0105	4	1	SCREW-MACH 4-40 .312-IN-LG PAN-HD-POZI	00000	ORDER BY DESCRIPTION
MP45	1400-0510	8	1	CLAMP-CABLE .15-DIA .82-WD NYL	28480	1400-0510
MP46	1400-0017	0	1	CLAMP-CABLE .312-DIA .375-WD NYL	28480	1400-0017
	2190-0018	5		WASHER-LK HLCL NO. 6 .141-IN-ID	28480	2190-0018
	2360-0195	0		SCREW-MACH 6-32 .312-IN-LG PAN-HD-POZI	28480	2360-0195
	3050-0227	3		WASHER-FL MTLCL NO. 6 .149-IN-ID	28480	3050-0227
<i>MP47</i>						
	08662-00020	6	1	CABLE SHIELD	28480	08662-00020
	2360-0123	4	1	SCREW-MACH 6-32 .825-IN-LG PAN-HD-POZI	00000	ORDER BY DESCRIPTION
MP48	8160-0226	0	1	RFI ROUND STRIP MNL-MSH .05-IN-OD	28480	8160-0226
MP49	1400-0015	8	1	CLAMP-CABLE .25-DIA .375-WD STL	28480	1400-0015
	2360-0113	2		SCREW-MACH 6-32 .25-IN-LG PAN-HD-POZI	00000	ORDER BY DESCRIPTION
MP50	6960-0003	5	1	PLUG-HOLE DOME-HD FOR .75-D-HOLE STL	28480	6960-0003
MP51	08662-00011	5	1	TRANSFORMER COVER	28480	08662-00011
	0361-0295	1	1	RIVET-BLIND PL-STEM DOME-HD .125DIA	28480	0361-0295
	2200-0104	3	1	SCREW-MACH 4-40 .25-IN-LG 82 DEG	00000	ORDER BY DESCRIPTION
	2360-0113	2		SCREW-MACH 6-32 .25-IN-LG PAN-HD-POZI	00000	ORDER BY DESCRIPTION
<i>MP52</i>						
	08662-00161	6	1	CABLE CLAMP	28480	08662-00161
	2420-0001	5	3	NUT-HEX-W/LKWR 6-32-THD .109-IN-THK	00000	ORDER BY DESCRIPTION
MP53	1400-1151	5	1	CLAMP-CABLE .825-WD NYL	28480	1400-1151
	2360-0118	5		SCREW-MACH 6-32 .312-IN-LG 82 DEG	00000	ORDER BY DESCRIPTION
MP54	08663-00036	5	1	LED SCREEN	28480	08663-00036
MP55	2200-0759	4	1	SCREW-MACH 4-40 .156-IN-LG 82 DEG	28480	2200-0759
<i>2234A TO 2918A</i>						
MP56				NO LONGER AVAILABLE, SEE SECTION 7		
<i>2936A AND ABOVE</i>						
MP56	08663-00126	4	1	FRONT WINDOW	28480	08663-00126
<i>MP57</i>						
	08663-00032	1	1	DUCT COVER	28480	08663-00032
MP58	08662-00042	2	1	TOP POWER SUPPLY COVER	28480	08662-00042
	2360-0333	8	2	SCREW-MACH 6-32 .25-IN-LG 100 DEG	28480	2360-0333
	08662-00021	7	1	FOAM BUMPER	28480	08662-00021

†Refer to Section 7 for update information.

*Factory Selected Component (Refer to Section 5).

△ Errata part change.

Table 6-3. Replaceable Parts

Reference Designation	HP Part Number	C D	Qty.	Description	Mfr. Code	Mfr. Part Number
MP59	08662-00155	8	1	OSCILLATOR GASKET	28480	08662-00155
MP60	08662-20019	5	1	CASTING COVER	28480	08662-20019
	2190-0003	8		WASHER-LK HLCL NO. 4 .115-IN-ID	28480	2190-0003
	2200-0209	9	1	SCREW-MACH 4-40 .375-IN-LG STL	28480	2200-0209
MP61	08662-00017	1	1	BOTTOM POWER SUPPLY COVER	28480	08662-00017
	2380-0333	8		SCREW-MACH 6-32 .25-IN-LG 100 DEG	28480	2380-0333
2234A TO 2918A				NO LONGER AVAILABLE, SEE SECTION 7		
MP62				NO LONGER AVAILABLE, SEE SECTION 7		
MP63				NO LONGER AVAILABLE, SEE SECTION 7		
MP64				NO LONGER AVAILABLE, SEE SECTION 7		
2234A TO 2513A						
MP65	5060-9849	6	1	BOTTOM COVER - ENGLISH CABINET	28480	5060-9849
2234A TO 2918A				NO LONGER AVAILABLE, SEE SECTION 7		
MP65				NO LONGER AVAILABLE, SEE SECTION 7		
MP66				NO LONGER AVAILABLE, SEE SECTION 7		
2936A AND ABOVE						
MP62	5062-3843	2	1	SIDE COVERS	28480	5062-3843
MP63	5001-0540	2	1	TRIM STRIPS	28480	5001-0540
MP64	5041-8802	6	1	TOP TRIM STRIPS	28480	5041-8802
MP65	5062-3748	6	1	BOTTOM COVER - METRIC CABINET	28480	5062-3748
MP66	5062-4034	5	1	INFORMATION TRAY	28480	5062-4034
MP67	08663-90057	9	1	PULL OUT CARD	28480	08663-90057
2234A TO 2918A				NO LONGER AVAILABLE, SEE SECTION 7		
MP68				NO LONGER AVAILABLE, SEE SECTION 7		
2936A AND ABOVE						
MP68	5041-8801	8	1	FOOT	28480	5041-8801
2234A TO 2513A						
MP69	5060-9836	1	1	TOP COVER - ENGLISH CABINET -	28480	5060-9836
2516A TO 2918A				NO LONGER AVAILABLE, SEE SECTION 7		
MP69				NO LONGER AVAILABLE, SEE SECTION 7		
2936A AND ABOVE						
MP69	5062-3736	2	1	TOP COVER - METRIC CABINET	28480	5062-3736
	1460-1345	5	1	TILT STAND SST	28480	1460-1345
2234A TO 2513A						
MP70	7120-5911	5	1	LABEL-WARNING - ENGLISH CABINET ENGLISH CABINET	28480	7120-5911
2516A AND ABOVE						
MP70	7120-8607	2	1	LABEL THIS INSTRUMENT USES METRIC AND METRIC CABINET	28480	7120-8607
MP71	08663-00034	3	1	RIGHT DCU COVER	28480	08663-00034
	0590-1192	4	2	NUT-THUMB 4-40-THD .281-IN-THK .5-OD	28480	0590-1192
	08663-00169	5	2	FOAM CUSHION	28480	08663-00169
MP72	08663-00033	2	1	LEFT DCU COVER	28480	08663-00033
	0590-1192	4		NUT-THUMB 4-40-THD .281-IN-THK .5-OD	28480	0590-1192
	08663-00169	5		FOAM CUSHION	28480	08663-00169
2234A TO 2513A						
MP73	5040-7221	2	1	STANDOFFS	28480	5040-7221
	2380-0197	2	1	SCREW-MACH 6-32 .375-IN-LG PAN-HD-POZI FOR ENGLISH CABINETS	28480	2380-0197
2516A TO 2918A				NO LONGER AVAILABLE, SEE SECTION 7		
MP73				NO LONGER AVAILABLE, SEE SECTION 7		
2936A AND ABOVE						
MP73	5041-8821	2	1	STANDOFFS	28480	5041-8821
	0515-1232	5	1	SCREW-MACH M3.5 X 0.6 8MM-LG PAN-HD	28480	0515-1232
2234A TO 2918A				NO LONGER AVAILABLE, SEE SECTION 7		
MP74				NO LONGER AVAILABLE, SEE SECTION 7		
2936A AND ABOVE						
MP74	5062-3705	5	1	SIDE HANDLE STRAP	28480	5062-3705
2234A TO 2513A						
MP75	5040-7219	8	1	HANDLE CAP, FRONT - ENGLISH CABINETS	28480	5040-7219
	2680-0118	5	2	SCREW-MACH 10-32 .5-IN-LG 82 DEG	00000	ORDER BY DESCRIPTION
MP76	5060-7220	3	1	HANDLE CAP, REAR - ENGLISH CABINETS	28480	5060-7220
	2680-0118	5		SCREW-MACH 10-32 .5-IN-LG 82 DEG	00000	ORDER BY DESCRIPTION

†Refer to Section 7 for update information.

*Factory Selected Component (Refer to Section 5).

Δ Errata part change.

Table 6-3. Replaceable Parts

Reference Designation	HP Part Number	C D	Qty.	Description	Mfr. Code	Mfr. Part Number
2234A TO 2918A						
MP75				NO LONGER AVAILABLE, SEE SECTION 7		
MP76				NO LONGER AVAILABLE, SEE SECTION 7		
2836A AND ABOVE						
MP75	5041-8819	8	1	HANDLE CAP, FRONT - METRIC CABINETS	28480	5041-8819
	0515-1132	4	2	SCREW-MACH M5 X 0.8 10MM-LG	28480	0515-1132
MP76	5041-8820	1	1	HANDLE CAP, REAR - METRIC CABINETS	28480	5041-8820
	0515-1132	4		SCREW-MACH M5 X 0.8 10MM-LG	28480	0515-1132
MP77	08662-00058	0	1	FUSEPLATE	28480	08662-00058
MP78	2110-0564	8	1	FUSEHOLDER BODY 12A MAX FOR UL	H9027	031.1657
	1400-0090	9	1	FUSEHOLDER COMPONENT FOR USE ON	28480	1400-0090
	2190-0068	5		WASHER-LK INTL T 1/2 IN .505-IN-ID	28480	2190-0068
	2110-0569	3	1	FUSEHOLDER COMPONENT NUT; THREAD M12.7	28480	2110-0569
MP79	2110-0565	9	1	FUSEHOLDER CAP 12A MAX FOR UL	28480	2110-0565
MP80	08662-20060	6	1	LINE FILTER SUPPORT	28480	08662-20060
MP81	0360-0053	7	1	TERMINAL-SLDR LUG LK-MTG FOR-#10-SCR	28480	0360-0053
	2510-0043	6	1	SCREW-MACH 8-32 .312-IN-LG PAN-HD-POZI	00000	ORDER BY DESCRIPTION
MP82	08662-00134	3	1	REAR SUPPORT GUSSET	28480	08662-00134
	2360-0182	5	1	SCREW-MACH 6-32 .312-IN-LG 82 DEG	00000	ORDER BY DESCRIPTION
MP83	0590-0184	2	1	THREADED INSERT-NUT 4-40 .058-IN-LG SST	28480	0590-0184
MP84	1250-0043	3	1	GASKET-RF CONNECTOR .125 IN ID; FOR	28480	1250-0043
MP85	3050-0105	6		WASHER-FL MTLC NO. 4 .125-IN-ID	28480	3050-0105
MP86	0590-0076	1	1	NUT-HEX-PLSTC LKG 4-40-THD .143-IN-THK	28480	0590-0076
MP87	0360-0042	4	1	TERMINAL-SLDR LUG PL-MTG FOR-#6-SCR	28480	0360-0042
	2360-0113	2		SCREW-MACH 6-32 .25-IN-LG PAN-HD-POZI	00000	ORDER BY DESCRIPTION
MP88	08662-00159	2	1	INSULATOR	28480	08662-00159
	2420-0001	5		NUT-HEX-W/LKWR 6-32-THD .109-IN-THK	00000	ORDER BY DESCRIPTION
MP89	2360-0113	2		SCREW-MACH 6-32 .25-IN-LG PAN-HD-POZI	00000	ORDER BY DESCRIPTION
MP90	08662-00013	7	1	MOLEX SUPPORT	28480	08662-00013
MP91	0400-0018	0	1	GROMMET-CHAN NCH .052-IN-THK-PNL	28480	0400-0018
MP92	2360-0318	9		SCREW-MACH 6-32 1.875-IN-LG PAN-HD-POZI	00000	ORDER BY DESCRIPTION
MP93	2190-0006	1		WASHER-LK HLCL NO. 6 .141-IN-ID	28480	2190-0006
MP94	3050-0227	3		WASHER-FL MTLC NO. 6 .149-IN-ID	28480	3050-0227
MP95	08662-00014	8	1	AC COVER	28480	08662-00014
MP96	2200-0101	0	1	SCREW-MACH 4-40 .188-IN-LG PAN-HD-POZI	00000	ORDER BY DESCRIPTION
MP97	2360-0115	4		SCREW-MACH 6-32 .312-IN-LG PAN-HD-POZI	00000	ORDER BY DESCRIPTION
MP98	08662-20040	2	1	POWER SUPPLY SCREW	28480	08662-20040
2234A TO 2405A						
MP99	08663-60013	4	1	CONNECTOR PANEL REAR (STD. ONLY)	28480	08663-60013
MP99	08663-60041	8	1	CONNECTOR PANEL REAR (OPT. 001)	28480	08663-60041
2408A AND ABOVE						
MP99	08663-60358	0	1	CONNECTOR PANEL, REAR (STD ONLY)	28480	08663-60358
MP99	08663-60357	9	1	CONNECTOR PANEL, REAR (OPT 001 ONLY)	28480	08663-60357
MP100	2200-0556	9	1	SCREW-MACH 4-40 1.7-IN-LG 82 DEG	00000	ORDER BY DESCRIPTION
MP101	08662-60003	1	1	REFERENCE CASTING	28480	08662-60003
MP102	08662-00028	4	1	AIR DEFLECTOR	28480	08662-00028
2234A TO 2619A						
MP103 †				FAN COVER		
2620A, 2704A AND ABOVE						
MP103	08663-00118	4	1	FAN COVER	28480	08663-00118
2234A TO 2846A						
MP104 †	86701-00017			NOT SEPARATELY REPLACEABLE		
2918A AND ABOVE						
MP104 †				NOT SEPARATELY REPLACEABLE		

†Refer to Section 7 for update information.

*Factory Selected Component (Refer to Section 5).

Δ Errata part change.

Table 6-3. Replaceable Parts

Reference Designation	HP Part Number	C D	Qty.	Description	Mfr. Code	Mfr. Part Number
MP105	2190-0198	2	4	WASHER-SHLDR NO. 4 .123-IN-ID .312-IN-OD	00000	ORDER BY DESCRIPTION
MP106	2260-0003	7	1	NUT-HEX-PLSTC LKG 4-40-THD .141-IN-THK	00000	ORDER BY DESCRIPTION
MP107	1250-0043	3	4	GASKET-RF CONNECTOR .125 IN ID	28480	1250-0043
MP108	1401-0230	1	4	CAP, CLEAR	28480	1401-0230
RT1			1	NOT ASSIGNED		
2234A TO 2451A						
RT2			1	NOT ASSIGNED		
2510A AND ABOVE						
RT2 †	0837-0027	6	1	THERMISTOR DISC 30-OHM TC=-3.9%/C-DEG	28480	0837-0027
2234A TO 2339A						
RV1			1	NOT ASSIGNED		
2342A AND ABOVE						
RV1	08662-60318	1	1	VARISTOR ASSEMBLY	28480	08662-60318
S1	3101-0613	0	1	SWITCH-TGL SUBMIN SPDT 5A 120VAC PC	28480	3101-0613
T1	9100-4014	7	1	TRANSFORMER-POWER 115/230V 48-440HZ	28480	9100-4014
	3050-0027	1	1	WASHER-FL MTLN NO. 10 .203-IN-ID	28480	3050-0027
	2190-0006	1	2	WASHER-LK HLCL NO. 6 .141-IN-ID	28480	2190-0006
	2360-0318	9	2	SCREW-MACH 6-32 1.875-IN-LG PAN-HD-POZI	00000	ORDER BY DESCRIPTION
U1	5061-4824	9	1	GENERATOR ROTARY PULSE ASSY	28480	5061-4824

†Refer to Section 7 for update information.

*Factory Selected Component (Refer to Section 5).

Δ Errata part change.

Table 6-3. Replaceable Parts

Reference Designation	HP Part Number	C D	Qty.	Description	Mfr. Code	Mfr. Part Number
2234A TO 2601A W76	08663-60352	4	1	CABLE-RIBBON, READOUT	28480	08663-60352
2602A AND ABOVE W76	08663-60371	7	1	CABLE-RIBBON, READOUT	28480	08663-60371
W76	8120-2670	8	1	CABLE-RIBBON, MAIN KEYBOARD	28480	8120-2670
2234A TO 2601A W77	8120-2671	9	1	CABLE-RIBBON, LEFT KEYBOARD	28480	8120-2671
2602A AND ABOVE W77	08663-60370	6	1	CABLE-RIBBON, READOUT	28480	08663-60370
W78	8120-3206	8	1	CABLE ASSY, RIBBON A2A11J8-A10J1A, B	28480	8120-3206
W79	8120-3202	4	1	CABLE ASSY, RIBBON A2A11J7-A5A6J2	28480	8120-3202
W80	8120-3205	7	1	CABLE ASSY, RIBBON A4A5J7-A2A11J6	28480	8120-3205
W81	8120-3204	6	1	CABLE ASSY, RIBBON A12A6J3-A2A11J5	28480	8120-3204
W82	8120-3203	5	1	CABLE ASSY, RIBBON A6A10J1-A4A5J6	28480	8120-3203
W83	8120-3199	8	1	CABLE ASSY-RIBBON A2A11J3-A3A11J4	28480	8120-3199
W84	8120-3200	2	1	CABLE ASSY-RIBBON A2A11J2-A11A6J4	28480	8120-3200
W85	8120-3201	3	1	CABLE ASSY-RIBBON A2A11J1-A11A6J8	28480	8120-3201
W86	8120-3198	7	1	CABLE ASSY-RIBBON A12A6J1-A4A5J5	28480	8120-3198
W87	8120-2314	7	3	CABLE ASSY-RIBBON A4A5J3 (OPT. 002 ONLY)	28480	8120-2314
W88	08663-60040	7	1	JACK PANEL WIRE HARNESS	28480	08663-60040
	0520-0129	8	1	SCREW-MACH 2-56 .312-IN-LG PAN-HD-POZI	00000	ORDER BY DESCRIPTION
	2190-0014	1	1	WASHER-LK INTL T NO. 2 .088-IN-ID	28480	2190-0014
	0610-0001	6	1	NUT-HEX-DBL-CHAM 2-56-THD .062-IN-THK	00000	ORDER BY DESCRIPTION
	0360-0002	6	1	TERMINAL-SLDR LUG PL-MTG FOR-#2-SCR	28480	0360-0002
W89	8120-2314	7		CABLE-RIBBON, A6A9J1-ABA2	28480	8120-2314
W90	8120-2314	7		CABLE-RIBBON, A6A9J2-ABA1	28480	8120-2314
W91	08663-60036	1	1	POWER SUPPLY WIRE HARNESS	28480	08663-60036
2234A ONLY W92				NOT ASSIGNED		
2245A AND ABOVE W92	08662-60041	7	1	CABLE ASSY 982 (EXCEPT OPTION 002)	28480	08662-60041
W93	08663-60359	1	1	CABLE ASSY-COAX "983" (STD ONLY)	28480	08663-60359
2234A TO 2405A W93				NOT ASSIGNED		
2408A TO 2447A W93	08663-60363	7	1	CABLE ASSY-COAX (STD ONLY)	28480	08663-60363
2449A AND ABOVE W93	08663-60360	4	1	CABLE ASSY-COAX "983" (OPT 001 ONLY)	28480	08663-60360
W93	08663-60364	8	1	CABLE ASSY-COAX (OPT 001 ONLY)	28480	08663-60364

†Refer to Section 7 for update information.

*Factory Selected Component (Refer to Section 5).

Table 6-4. Code List of Manufacturers

Mfr. Code	Manufacturer Name	Address	Zip Code
H9027	SCHURTER AGH	LUZERN	SW
00000	ANY SATISFACTORY SUPPLIER		
00853	SANGAMO ELEC CO S CAROLINA DIV	PICKENS SC	29671
01121	ALLEN-BRADLEY CO	MILWAUKEE WI	53204
01295	TEXAS INSTR INC SEMICOND CMPNT DIV	DALLAS TX	75222
02111	SPECTROL ELECTRONICS CORP	CITY OF IND CA	91745
02114	FERROXCUBE CORP	SAUGERTIES, NY	12477
03508	GE CO SEMICONDUCTOR PROD DEPT	AUBURN, NY	13201
02768	ILLINOIS TOOL WORKS INC FASTEX DIV	DES PLAINES IL	60016
03888	K D I PYROFILM CORP	WHIPPANY NJ	07981
04713	MOTOROLA SEMICONDUCTOR PRODUCTS	PHOENIX AZ	85008
06665	PRECISION MONOLITHICS INC	SANTA CLARA CA	95050
07263	FAIRCHILD SEMICONDUCTOR DIV	MOUNTAIN VIEW CA	94042
14936	GENERAL INSTR CORP SEMICON PROD GP	HICKSVILLE NY	11802
18324	SIGNETICS CORP	SUNNYVALE CA	94086
19701	MEPCO/ELECTRA CORP	MINERAL WELLS TX	76067
20932	EMCON DIV ITW	SAN DIEGO, CA	92129
24046	TRANSITRON ELECTRONIC CORP	WAKEFIELD MA	01880
24355	ANALOG DEVICES INC	NORWOOD MA	02062
24546	CORNING GLASS WORKS (BRADFORD)	BRADFORD PA	16701
25088	SIEMENS CORP	ISELIN NJ	08830
25403	N.V. PHILIPS-ELCOMA DEPARTMENT	EINDHOVEN HL	02876
26654	VARADYNE INC	SANTA MONICA CA	90404
27014	NATIONAL SEMICONDUCTOR CORP	SANTA CLARA CA	95051
27167	CORNING GLASS WORKS (WILMINGTON)	WILMINGTON, NC	28401
28480	HEWLETT-PACKARD CO CORPORATE HQ	PALO ALTO CA	94304
29832	TELEDYNE PHILBRICK NEXUS	DEDHAM MA	02026
3L585	RCA CORP SOLID STATE DIV	SOMERVILLE NJ	
30983	MEPCO/ELECTRA CORP	SAN DIEGO CA	92121
32997	BOURNS INC TRIMPOT PROD DIV	RIVERSIDE CA	92507
34371	HARRIS SEMICON DIV HARRIS-INTERTYPE	MELBOURNE FL	32901
51959	VILCAN INC INC	SAN DIEGO CA	92138
52063	EXAR INTEGRATED SYSTEMS INC	SUNNYVALE CA	94086
52763	STETTNER ELECTRONICS INC	CHATTANOOGA TN	13035
56289	SPRAGUE ELECTRIC CO	NORTH ADAMS MA	01247
72136	ELECTRO MOTIVE CORP	FLORENCE SC	06226
72982	ERIE TECHNOLOGICAL PRODUCTS INC	ERIE, PA	16512
73138	BECKMAN INSTRUMENTS INC HELIPOT DIV	FULLERTON CA	92634
74970	JOHNSON E F CO	WASECA MN	56093
75915	LITTELFUSE INC	DES PLAINES IL	60016
76680	FEDERAL-MOGUL CORP RBR & PLSTC GP	REDWOOD CITY CA	94062
83186	VICTORY ENGINEERING CORP	SPRINGFIELD NJ	07081
9D949	AMPHENOL SALES DIV OF BUNKER-RAMO	BROADVIEW IL	60153
96341	M/A-COM DBA MICROWAVE ASSOC INC	BURLINGTON MA	01803

Fig 6-1 Sht 1 of 2

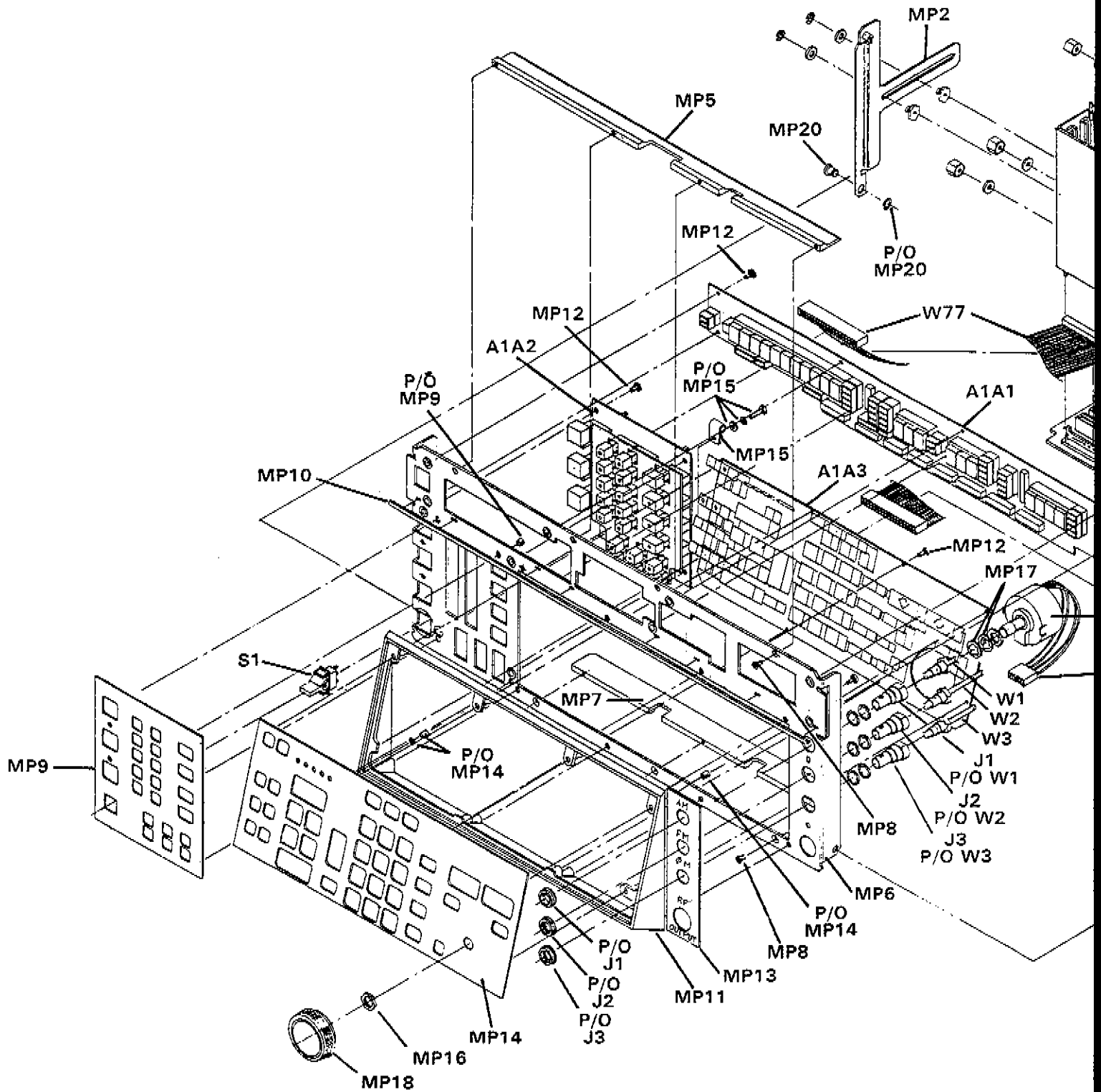
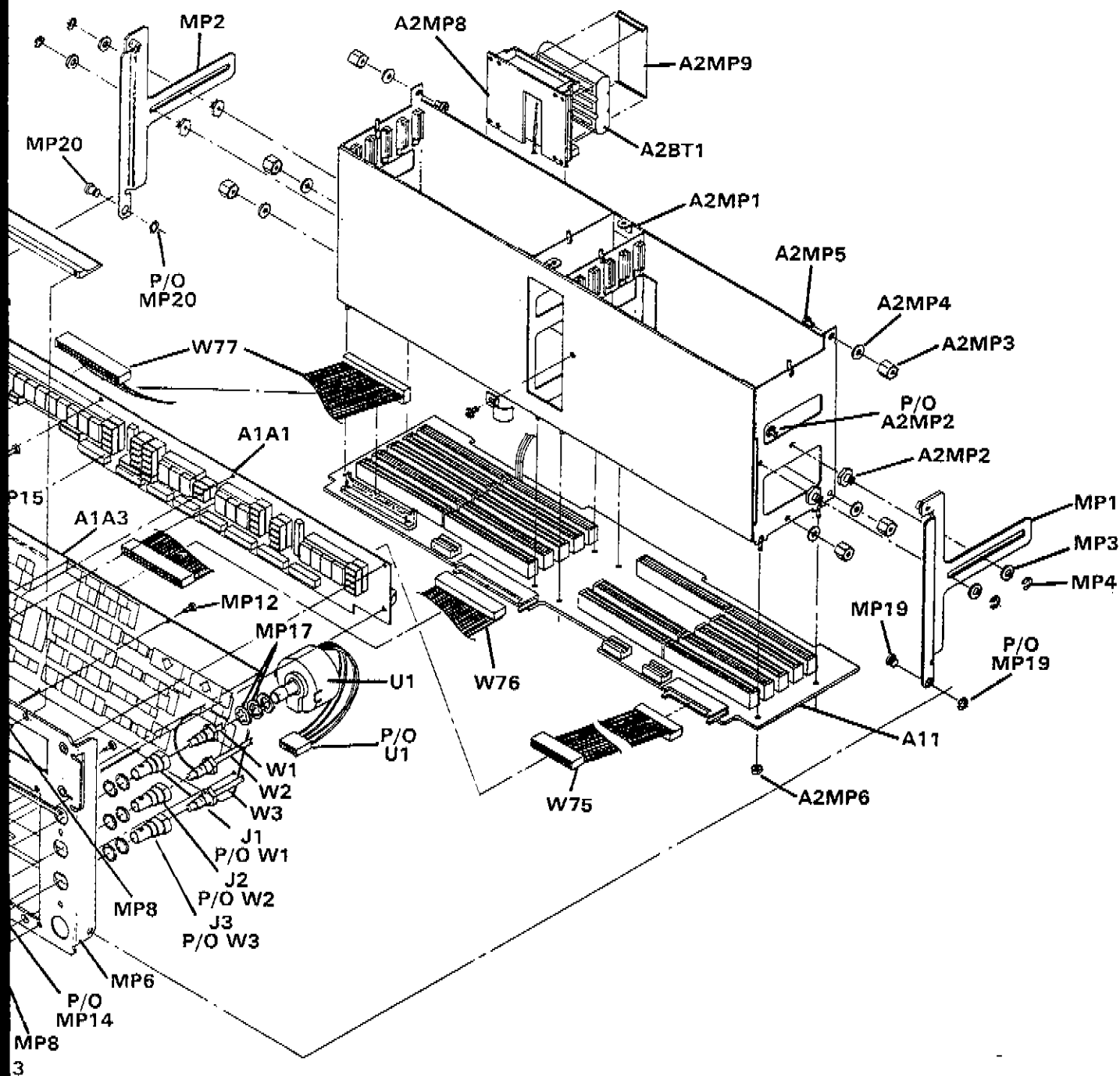


Figure 6-1. Front Panel/Cabinet Exploded View

Fig 6-1 Sht 2 of 2



Front Panel/Cabinet Exploded View

6-237

Fig 6-2 SHL 1 of 2

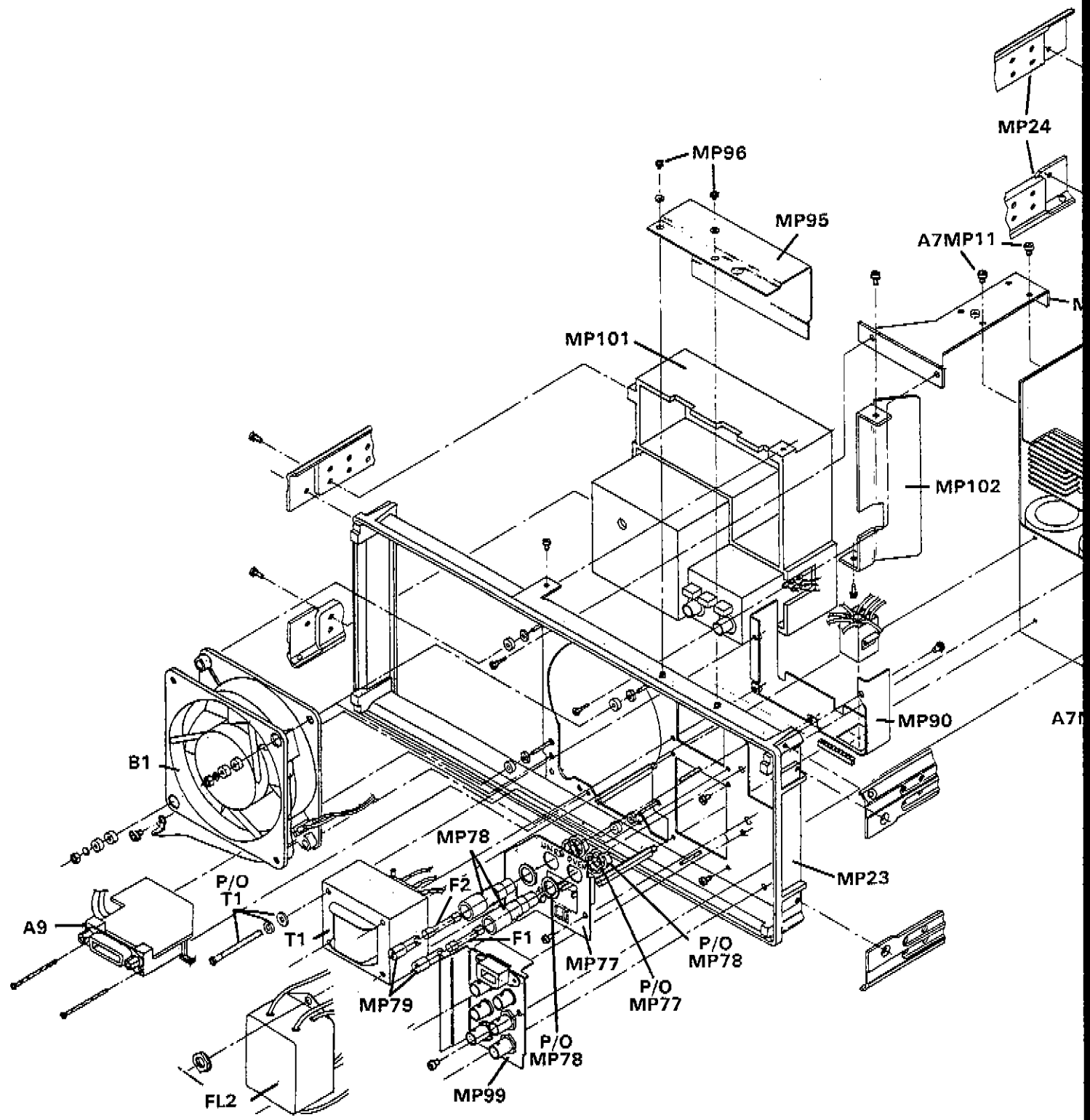


Figure 6-2. Rear Panel/Cabinet Exploded View

Fig 6-2 SHL 2 of 2

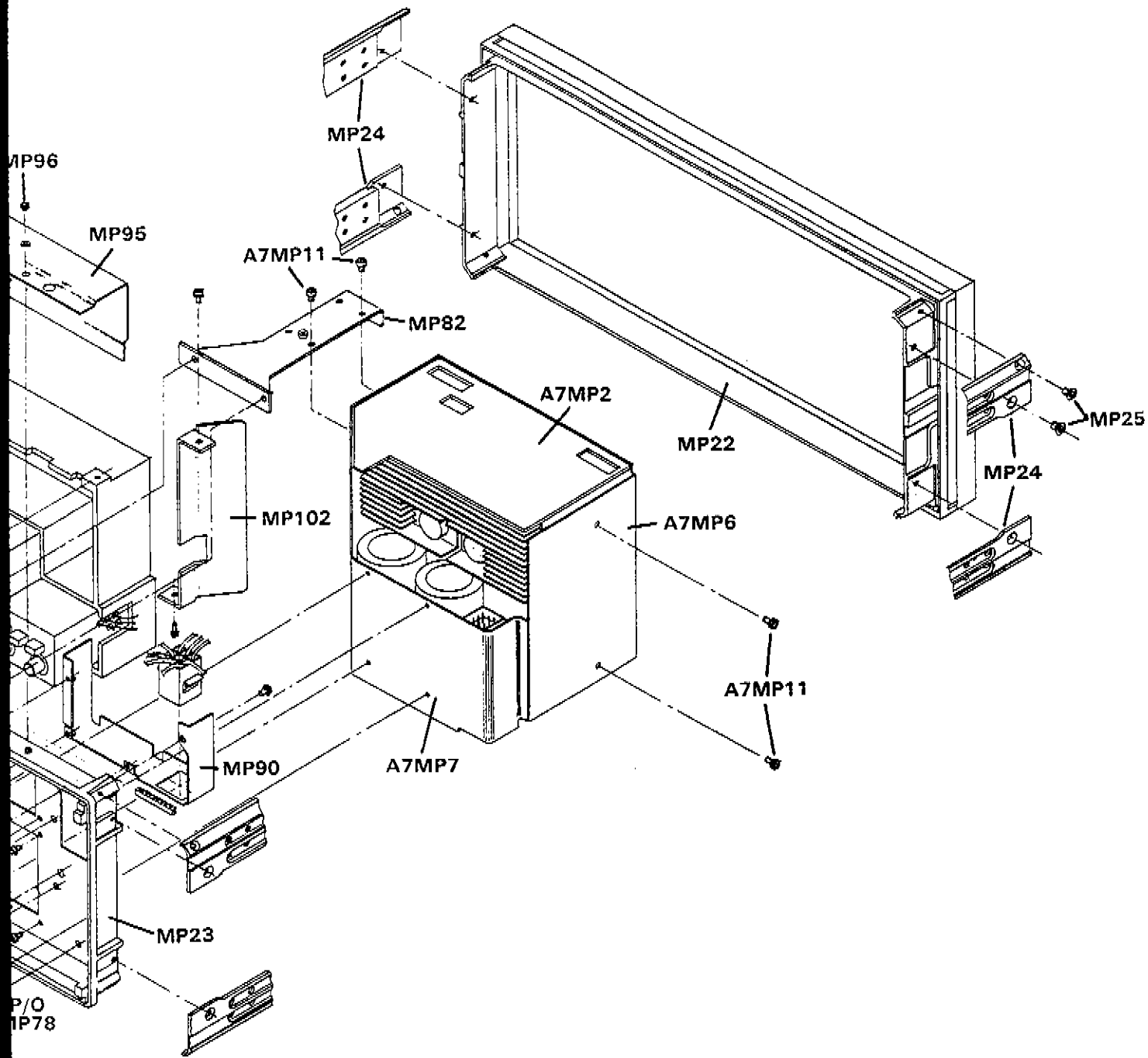


Fig 6-2. Rear Panel/Cabinet Exploded View

Section 7 INSTRUMENT CHANGES

7-1. INTRODUCTION TO THIS SECTION

This section contains instrument modification recommendations and procedures that could improve the performance and reliability of your instrument. Refer to *Instruments Covered by This Manual*, paragraph 1-5 in Section 1 for important information about serial number coverage.

A2A8 (08663-60329)

At instrument serial prefix **2537A** the A2A8 RAM/ROM Assembly 08663-60365 replaced both the A2A8 RAM/ROM Assembly (part number 08663-60329) and the A2A9 ROM Assembly (part number 08663-60331). If either the A2A8 (08663-60329) or the A2A9 (08663-60331) assembly requires replacement, remove both boards and replace them with the new RAM/ROM Assembly, **08663-60365**.

- **A2A8U1, (serial prefix 2927A and above)**

New ROM part number; A2A8U1 is 08663-87007; date code, 2827.

A2A9 (08663-60331)

At instrument serial prefix **2537A** the A2A8 RAM/ROM Assembly 08663-60365 replaced both the A2A8 RAM/ROM Assembly (part number 08663-60329) and the A2A9 ROM Assembly (part number 08663-60331). If either the A2A8 (08663-60329) or the A2A9 (08663-60331) assembly requires replacement, remove both boards and replace them with the new RAM/ROM Assembly, **08663-60365**.

A3A5U2, A3A5U3

At instrument serial prefix **2419A** part number 1820-1780 was replaced by part number 1820-3517 in all applications in the HP 8663A. The new part is the preferred replacement. The new part is directly plug-in compatible on all boards except the A3A5 Assembly.

On the A3A5 Assembly if either U2 or U3 requires replacement, both IC's must be replaced. In addition, resistors A3A5R13 and A3A5R14 must be removed from the board. Terminal solder studs (HP part number **0360-0124**) should be soldered into the R13 and R14 mounting holes and a new value R13 and R14 (287 ohms, HP part number **0698-3443**) should be wrapped and soldered to the terminal studs. Capacitors C24 and C25 (68 pF, HP part number **0160-4803**) are added to the assembly and must be soldered in parallel to R13 and R14 respectively.

A4A2 (08663-60316)

At instrument serial prefix **2248A**, A4A2 Doubler #2 Assembly, HP part number 08663-60316 was replaced by a new A4A2 Doubler #2 Assembly. The 08663-60316 is no longer available, if this assembly requires replacement, order HP part number **08663-60351**. A rebuilt Doublber #2 Assembly is also available refer to Section 6 for information.

A4A3 - Standard and Option 001 (08663-60346)

At instrument serial prefix **2451A**, A4A3 Distributor Assembly, HP part number 08663-60346 was replaced by a new A4A2 Distributor Assembly. The 08663-60346 is no longer available, if this assembly requires replacement, order HP part number **08663-60362**.

A4A3 - Option 002 Only (08663-60304)

At instrument serial prefix **2451A**, A4A3 Distributor Assembly, HP part number 08663-60304 was replaced by a new A4A2 Distributor Assembly. The 08663-60304 is no longer available, if this assembly requires replacement, order HP part number **08663-60361**.

A4A4 (08663-60011)

At instrument serial prefix **2535A**, A4A4 Phase Modulator Assembly, HP part number 08663-60011 was replaced by a new A4A4 Phase Modulator Assembly. The 08663-60011 is no longer available, if this assembly requires replacement, order HP part number **08663-60070**.

A4A4A2 (08663-60314)

At instrument serial prefix **2535A**, A4A4A2 Phase Mod IF Amp Assembly, HP part number 08663-60314 was replaced by a new A4A4A2 Phase Modulator Assembly. The 08663-60314 is no longer available, if this assembly requires replacement, the entire A4A4 Phase Modulator Assembly must be replaced with HP part number **08663-60070**.

A4A4A2Q1 (1854-0483)

At instrument serial prefix **2535A**, A4A4A2Q1, HP part number 1854-0483 became no longer available from the vendor, consequently, major modifications were made to the A4A4A2 Assembly. If A4A4A2Q1 requires replacement, the entire A4A4 Phase Modulator Assembly must be replaced with HP part number **08663-60070**.

A4A4A3 (08663-60313)

At instrument serial prefix **2535A**, A4A4A3 PM LO Amp 1 Assembly, HP part number 08663-60313 was replaced by a new A4A4A3 Phase Modulator Assembly. The 08663-60313 is no longer available, if this assembly requires replacement, the entire A4A4 Phase Modulator Assembly must be replaced with HP part number **08663-60070**.

A4A4A3Q1 (1854-0483)

At instrument serial prefix **2535A**, A4A4A3Q1, HP part number 1854-0483 became no longer available from the vendor, consequently, major modifications were made to the A4A4A3 Assembly. If A4A4A3Q1 requires replacement, the entire A4A4 Phase Modulator Assembly must be replaced with HP part number **08663-60070**.

A4A4A5 (08663-60311)

At instrument serial prefix **2535A**, A4A4A5 PM LO Amp 2 Assembly, HP part number 08663-60311 was replaced by a new A4A4A5 Phase Modulator Assembly. The 08663-60311 is no longer available, if this assembly requires replacement, the entire A4A4 Phase Modulator Assembly must be replaced with HP part number **08663-60070**.

A4A4A5Q1 (1854-0483)

At instrument serial prefix **2535A**, A4A4A5Q1, HP part number 1854-0483 became no longer available from the vendor, consequently, major modifications were made to the A4A4A5 Assembly. If A4A4A5Q1 requires replacement, the entire A4A4 Phase Modulator Assembly must be replaced with HP part number **08663-60070**.

A6A3 (08662-60314)

At instrument serial prefix **2510A**, A6A3 HF Multiplier Assembly, HP part number 08662-60314 was replaced by a new A6A3 HF Multiplier Assembly. The 08662-60314 is no longer available, if this assembly requires replacement, order HP part number **08662-60327**.

A6A4U7

At instrument serial prefix **2516A** a new date code of U7 parts (HP part number 1820-1781) was supplied by the vendor. If U7 must be replaced in instruments with serial number prefixes prior to 2516A, the following components should also be changed to ensure proper operation. Change R148 to HP part number **0698-7239**. Change VR2 to HP part number **1902-0955**.

A6A5U7

At instrument serial prefix **2516A** a new date code of U7 parts (HP part number 1820-1781) was supplied by the vendor. If U7 must be replaced in instruments with serial number prefixes prior to 2516A, the following components should also be changed to ensure proper operation. Change R148 to HP part number **0698-7239**. Change VR2 to HP part number **1902-0955**.

A7A4 (08662-60156)

At instrument serial prefix **2545A**, A7A4 Power Supply Motherboard, HP part number 08662-60156 was replaced by a new A7A4 Power Supply Motherboard Assembly. The 08662-60156 is no longer available, if this assembly requires replacement, the A7A4 Assembly must be replaced with HP part number **08662-60376**.

WARNING

If replacing the old A7A4 Power Supply Motherboard with the new 08662-60376, extreme care should be exercised as the connection are arranged in a different order. For information regarding installing a new A7A4 Assembly in an instrument with serial prefix prior to 2545A, refer to Installation instructions 08662-90069 included in Section 8 of this manual.

A8A2 (08662-60001)

At instrument serial prefix **2319A**, A8A2 VCO Assembly, HP part number 08662-60001 was replaced by a new A8A2 VCO Assembly. The 08662-60001 is no longer available, if this assembly requires replacement, order HP part number **08662-60317**.

A8A3 (10544B(003))

At instrument serial prefix **2447A**, A8A3 10 MHz Reference Oscillator Assembly, HP part number 10544B(003) was replaced by a new A8A3 10 MHz Reference Oscillator Assembly. The 10544B(003) is no longer available, if this assembly requires replacement, order HP part number **5061-6002**.

A8A5 (08662-60191)

At instrument serial prefix **2408A**, A8A5 Reference Section Motherboard Assembly, HP part number 08662-60191 was replaced by a new A8A5 Reference Section Motherboard Assembly. The 08662-60191 is no longer available, if this assembly requires replacement, order HP part number **08662-60322**.

A12A3MP3

At instrument serial prefix **2416A** an insulating pad, HP part number 08663-00103 was added to the UHF Front Cover to insulate the cover from shorting component A12A2Q1. If the UHF Front cover of you instrument does not have this insulator installed, either a new UHF Front Cover (HP part number 08663-00085) can be installed, or the insulating pad (HP part number 08663-00103) can be ordered separately and added to the old cover.

MISCELLANEOUS PARTS**B1**

Serial Prefix 2234A to 2846A

If B1 the Fan need to be replaced order Fan Replacement Kit **08663-60383**.

MP23

Serial Prefix 2234A to 2846A

If MP23 the Rear Panel and the Fan need to be replaced, order Rear Panel Replacement Kit **08663-60384**.

MP103

If MP103 needs replacement order Fan Replacement Kit **08663-60383**.

RT2

At instrument serial prefix **2510A**, RT2 was added as a recommended retrofit when fuse blowing due to current surge transients during 230 volt operation occurs.

SAFETY CONSIDERATIONS

GENERAL

This product and related documentation must be reviewed for familiarization with safety markings and instructions before operation.

This product is a Safety Class I instrument (provided with a protective earth terminal).

BEFORE APPLYING POWER

Verify that the product is set to match the available line voltage and the correct fuse is installed.

SAFETY EARTH GROUND

An uninterruptible safety earth ground must be provided from the main power source to the product input wiring terminals, power cord, or supplied power cord set.

SAFETY SYMBOLS



Instruction manual symbol: the product will be marked with this symbol when it is necessary for the user to refer to the instruction manual (refer to Table of Contents).



Indicates hazardous voltages.



Indicates earth (ground) terminal.

WARNING

The WARNING sign denotes a hazard. It calls attention to a procedure, practice, or the like, which, if not correctly performed or adhered to, could result in personal injury. Do not proceed beyond a WARNING sign until the indicated conditions are fully understood and met.

CAUTION

The CAUTION sign denotes a hazard. It calls attention to an operating procedure, practice, or the like, which, if not correctly performed or adhered to, could result in damage to or destruction of part or all of the product. Do not proceed beyond a CAUTION sign until the indicated conditions are fully understood and met.

WARNING

Any interruption of the protective (grounding) conductor (inside or outside the instrument) or disconnecting the protective earth terminal will cause a potential shock hazard that could result in personal injury. (Grounding one conductor of a two conductor outlet is not sufficient protection).

Whenever it is likely that the protection has been impaired, the instrument must be made inoperative and be secured against any unintended operation.

If this instrument is to be energized via an autotransformer (for voltage reduction) make sure the common terminal is connected to the earth terminal of the power source.

Servicing instructions are for use by service-trained personnel only. To avoid dangerous electric shock, do not perform any servicing unless qualified to do so.

Adjustments described in the manual are performed with power supplied to the instrument while protective covers are removed. Energy available at many points may, if contacted, result in personal injury.

Capacitors inside the instrument may still be charged even if the instrument has been disconnected from its source of supply.

For continued protection against fire hazard, replace the line fuse(s) only with 250V fuse(s) of the same current rating and type (for example, normal blow, time delay, etc.). Do not use repaired fuses or short circuited fuseholders.

CAUTION

The casual operator should not replace the LINE fuse. Replacing this fuse in a damaged Generator might cause additional damage. A qualified service person should first determine the cause of its failure, specifically with resistance checks in the power supply (see Service Sheet 65); repair the failure and then replace the fuse.

Do not unplug the A4A1 ALC, A1A5 Modulation Drive, or A4A4 Phase Modulator (Option 002 only) assemblies unless the instrument is unplugged or switched to standby. The A4A7 and A4A9 boards contain CMOS devices which may be damaged if the board is removed when the power is on.

RF testpoints on on some pc boards (that is, the small two-contact cup connectors) require ac-coupling to test equipment. Use the ac-coupled RF test Probe in the 11714A Service Accessory kit.

WARNING

Maintenance described in this section is performed with power supplied to the instrument and with protective covers removed. Maintenance should be performed only by service trained personnel who are aware of the hazard involved (for example, fire and electrical shock). Where maintenance can be performed without power applied, the power should be removed.

When working on the power supply, remember that high voltage is present at all times when the line cord is plugged in (that is, plus and minus 160 Vdc and line voltage). Unplug the line cord before doing anything to the power supply. The line switch has no effect on the high voltage in the Power Supply Section.

A pin-to-pin voltage difference of 60 Vdc may be found on many of the Generator's circuit board connectors. Be careful while working on the circuit boards with power supplied to the instrument. If a circuit board is placed on an extender board, the possibility of coming in contact with 60 Vdc is greatly increased. Be careful while working on the circuit boards with power supplied. Work with one hand. Do not touch the extender board.

Capacitors inside the instrument may still be charged even if the instrument has been disconnected from its source of supply.

Any interruption of the protective (grounding) conductor (inside or outside the instrument) or disconnecting the protective earth terminal will cause a potential shock hazard that could result in personal injury. (Grounding one conductor of a two conductor outlet is not sufficient protection).

Whenever it is likely that the protection has been impaired, the instrument must be made inoperative and be secured against any unintended operation.

If this instrument is to be energized via an autotransformer (for voltage reduction) make sure the common terminal is connected to the earth terminal of the power source.

When working near the back of the Generator, take care not to let long hair be drawn into the fan. This could result in personal injury.

For continued protection against fire hazards, replace the LINE and OVEN fuses only with 250V normal blow fuses with the same current rating. Do not use repaired fuses or short circuited fuseholders.

SECTION VIII**SERVICE****8-1. INTRODUCTION**

This section contains troubleshooting and repair information for the HP Model 8663A Synthesized Signal Generator. This section includes diagrams, circuit descriptions, troubleshooting instructions, component locators and disassembly instructions.

The remaining sections of the Operating and Service Manual are in the Operation and Calibration Manual. They are General Information, Installation, Operation, Performance Tests, Adjustments.

8-2. INSTRUMENTS COVERED BY MANUAL

The contents of this manual apply to instruments with the serial number prefix(es) listed under SERIAL NUMBERS on the title page for Volume 1. A Documentation Update Packet for Volumes 1, 2, 3, and 4 is provided to document instruments with prefixes higher than those on the title page.

8-3. CIRCUIT DESCRIPTIONS

The Signal Generator's circuitry is described at three distinctly different levels.

1. Service Sheet BD1 contains an overview of the entire Generator.
2. Service Sheets BD2 through BD10 contain block diagram level descriptions of functional sections within the Generator.
3. Service Sheets 1 through 67 contain detailed component-level descriptions of the circuitry within the functional sections.

8-4. TROUBLESHOOTING**8-5. General**

The troubleshooting strategy employed in this manual is described in the introduction to Service Sheet BD1 (in the Block Diagrams section).

Page Numbering

Pages in Section VIII are numbered in groupings of one hundred by subsection. This first subsection, that is "General Service Information", is the 8-100-grouping; the block diagrams are the 8-200-grouping; the Reference and HF Loops service sheets are the 8-300-grouping, etc.

8-6. Status Light and Status Codes

The STATUS light is a valuable troubleshooting aid but it should be used in conjunction with the other troubleshooting information in this manual. Its use and its numeric codes are described opposite BD1.

8-8. RECOMMENDED TEST EQUIPMENT

Table 1-3 (in the Operation and Calibration Manual) lists the equipment required for maintaining the Generator. The Critical Specification column describes the essential requirements for each piece of test equipment. Other equipment can be substituted if it meets or exceeds these critical specifications.

The Recommended Model column may suggest more than one model. The first model shown is usually the least expensive, single-purpose model. Alternate models are suggested for additional features that would make them a better choice in some applications. For example, reasons for recommending an alternate model might be:

- * HP-IB programmability

-or-

- * Multi-function capability (that is, one model can replace two or more single purpose models.

Table 1-4 presents the advantages of the alternate suggestions.

8-9. SERVICE TOOLS AND AIDS

8-10. Service Accessory Kit

A service accessory kit, Hewlett-Packard accessory number 11714A, is required for servicing and troubleshooting the Signal Generator. The service kit contains extender boards, connectors, cables, adapters and other service aids. For more details on the service accessory kit, see Table 1-5 in the Operation and Calibration Manual.

8-11. Parts Locations

The locations of individual components mounted on printed circuit boards or their assemblies are shown on the page facing the schematic diagram on the appropriate service sheet. The part reference designator is the assembly designator plus the part designator. For example A3A2R9 is R9 on the A3A2 assembly. For specific component descriptions and ordering information, refer to Table 6-3, Replaceable Parts in Volume 1. Chassis and frame parts, as well as mechanical parts, are identified on Figures 6-1 through 6-2.

8-12. Test Points and Adjustment Locations

Most test points and adjustments are indicated on the top covers of the individual assemblies. Test points and adjustments can also be found on the component locator adjacent to the particular assembly's schematic.

8-13. Service Aids on Printed Circuit Boards

Service aids on printed circuit boards include test points, indicator lights, transistor and integrated circuit and relay designations, adjustment names and assembly part numbers.

8-14. Pozidriv Screwdrivers

Many screws in the instrument appear to be Phillip's types, but are not. To avoid damage to the screw slots, Pozidriv screwdrivers should be used. HP 8710-0900 is the No. 2 Pozidriv.

8-15. Tuning Tools

For adjustments requiring non-metallic tuning tools, use the HP 8710-0033 blade tuning tool or the HP 8710-1010 (JFD Model No. 5284) hex tuning tool. For other adjustments an ordinary small screwdriver or suitable tool is sufficient. No matter which tool is used, never force any adjustment control. This is especially critical when adjusting variable inductors or capacitors.

8-16. Silver Solder

Silver solder must be used when soldering mono-block capacitors and resistors (small, leadless components) to printed circuit boards. This restriction is due to the lower temperature requirements of the components. A small amount of silver solder is first applied to the printed circuit board at the mono-block connection points. The component is then laid down on the board with its silvered ends touching the pre-soldered printed circuit traces. Just enough heat must then be applied to the solder to make it melt and adhere to the ends of the block.

8-17. REPAIR**8-18. Factory-Selected Components(*)**

Some component values are selected at the time of final checkout at the factory (see Table 5-1 in the Operation and Calibration Manual). These values are selected to provide optimum compatibility with associated components. These components are identified on individual schematics and the parts list by an asterisk (*).

8-20. Disassembly Procedures

Procedures for removal of the top, bottom and side covers, and the front and rear panels of the instrument are described on the last foldout in Section 6. The descriptions for disassembly of the rear panel is accompanied with an IPB (that is, an Illustrated Parts Breakdown).

8-21. Post-Repair Adjustments and Performance Tests

Table 5-2 (in the Operation and Calibration Manual) describes the adjustment procedures that should be performed subsequent to repair or replacement of individual assemblies. Table 4-1 (also in the Operation and Calibration Manual) describes the performance tests that should be performed subsequent to repair or replacement of individual assemblies.

Table 8-101. Etched Circuit Soldering Equipment

Item	Use	Specification	Item Recommended	HP Part No.
Soldering Tool	Soldering, Heat Staking	Wattage: 35W Tip Temp.: 390°-440°C (735°-825°F)	Ungar No. 135 Ungar Division Eldon Ind. Corp. Compton, CA 90220	8690-0167
Soldering Tip	Soldering, Unsoldering	Shape: Chisel	Ungar PL113	8690-0007
Soldering Tip	Heat Staking	Shape: Cupped	HP 5020-8160 or modified Ungar PL111 (See figure 8-2)	5020-8160
De-Soldering Aid	To remove molten solder from connection	Suction Device	Soldapullt by Edsyn Co. Van Nuys, CA 91406	8690-0060
Rosin (flux) Solvent	To remove excess flux from soldered area before application of protective coating	Must not dissolve etched circuit base board.	Freon	8500-0232
Solder	Component replacement; Circuit Board repair wiring	Rosin (flux) core, high tin content (63/37 tin/lead), 18 gauge (SWG) 0.048 in. diameter preferred		8090-0607
Silver Solder	Mono-block replacement	Rosin (flux) core, silver saturated tin/lead alloy 0.031 in. diameter	X25 Rosin Core DIVCO 233 Division Lead Co. Summit, IL 60501	8090-0022

8-22. Post-Service Product Safety Checks

Visually inspect interior of instrument for any signs of abnormal internally generated heat, such as discolored printed circuit boards or components, damaged insulation, or evidence of arcing. Determine and remedy cause of any such condition.

Using a suitable ohmmeter, check resistance from instrument enclosure to ground pin on power cable plug. The reading must be less than one ohm. Flex the power cable while making this measurement to determine whether intermittent discontinuities exist.

Check any indicated front or rear panel ground terminals marked, using the above procedure.

check resistance from instrument enclosure to the line and neutral (tied together) with the power switch on and the power source disconnected. The minimum acceptable resistance is two megohms. Replace any component which results in a failure.

8-23. Etched Circuits (Printed Circuit Boards)

The etched circuit boards in the Generator have plated-through holes which make a solderable path through to both sides of the insulating material. Soldering can be done from either side of the board with equally good results. When soldering to any circuit board, keep in mind the following recommendations:

1. Avoid unnecessary component substitution. Substitution can result in damage to the circuit board and/or adjacent components.
2. Do not use a high-power soldering iron on etched circuit boards. Excessive heat may lift a conductor or damage the board.
3. Use a suction device or wooden toothpick to remove solder from component mounting holes. DO NOT USE A SHARP METAL OBJECT SUCH AS AN AWL OR TWIST DRILL FOR THIS PURPOSE. SHARP OBJECTS MAY DAMAGE THE PLATED-THROUGH CONDUCTOR.

8-24. MOS and CMOS Integrated Circuit Replacement

MOS and CMOS integrated circuits are used in this instrument. They are prone to damage from both static and transients and must be handled carefully. When working on the Generator, keep in mind the following recommendations to avoid damaging these sensitive components.

1. Do not remove any board unless the Generator has been turned off or unplugged.
2. When removing a socketed MOS or CMOS device from an assembly, be careful not to damage it. High-grip sockets are used throughout the instrument. Avoid removing devices from these sockets with pullers. Instead, use a small screwdriver to pry the device up from one end, slowly pulling it up one row of pins at a time.
3. Once a MOS or CMOS device has been removed from an assembly, immediately stick it into a pad of conductive foam or other suitable holding medium.
4. When replacing a MOS or CMOS device, ground the foam on which it resides to the instrument before removing it. If a device requires soldering, make sure that

the assembly is lying on a sheet of conductive foam, and that the foam and soldering iron tip are grounded to the assembly. Apply as little heat as possible.

5. Before turning the instrument off, remove any large ac sources which may be driving MOS switches.

8-25. LOGIC SYMBOLOGY

8-26. Basic Definitions

The logic symbols used in this manual are based on the American National Standard Institute (ANSI) Y32.14-1973, "Graphic Symbols for Logic Diagrams (Two State Devices)". A summary of this symbology is provided to aid in interpreting these symbols.

This section includes a brief description of the basic logic symbols used on the service sheets (see Figure 8-101), a summary of indicator symbols (see Figure 8-102), a discussion of contiguous blocks, control blocks, and dependency notation, and a summary of symbology for some of the more complex devices.

Qualifiers. Qualifiers are that portion of a device symbol that denotes the logic function. For example, "&" denotes the AND function. See Figure 8-101 for a summary of the basic logic symbols and their qualifiers.

Power supply and ground connections are not shown on the symbols. This information is tabulated on the right margins of the service sheets.

Indicator Symbols. Indicator symbols identify the active state of a device's input or output, as shown in Figure 8-102.

Contiguous Blocks. Two symbols may share a common boundary parallel or perpendicular to the direction of signal flow. Note that in the examples shown in Figure 8-103, there is generally no logic connection across a horizontal line, but there is always an implied logic connection across a vertical line. Notable exceptions to this rule are the horizontal lines beneath control blocks and between sections of shift registers and counters (dividers).

Dependency Notation. Dependency Notation simplifies symbols for complex integrated circuit elements by defining the interdependencies of inputs or outputs without actually showing all the elements and interconnections involved (see Figures 8-104 through 8-106). The following examples use the letter A for address, C for control, G for AND, V for OR, and F for free dependencies. The dependent input or output is labeled with a number that is either prefixed (e.g., 1X) or subscripted (e.g., X₁). They both mean the same thing. Note that many times a controlled line may already be labeled with a number that indicates input or output weighting (for example, in a coder). In this case, the controlling or gating input will be labeled with a letter (see Figure 8-105).

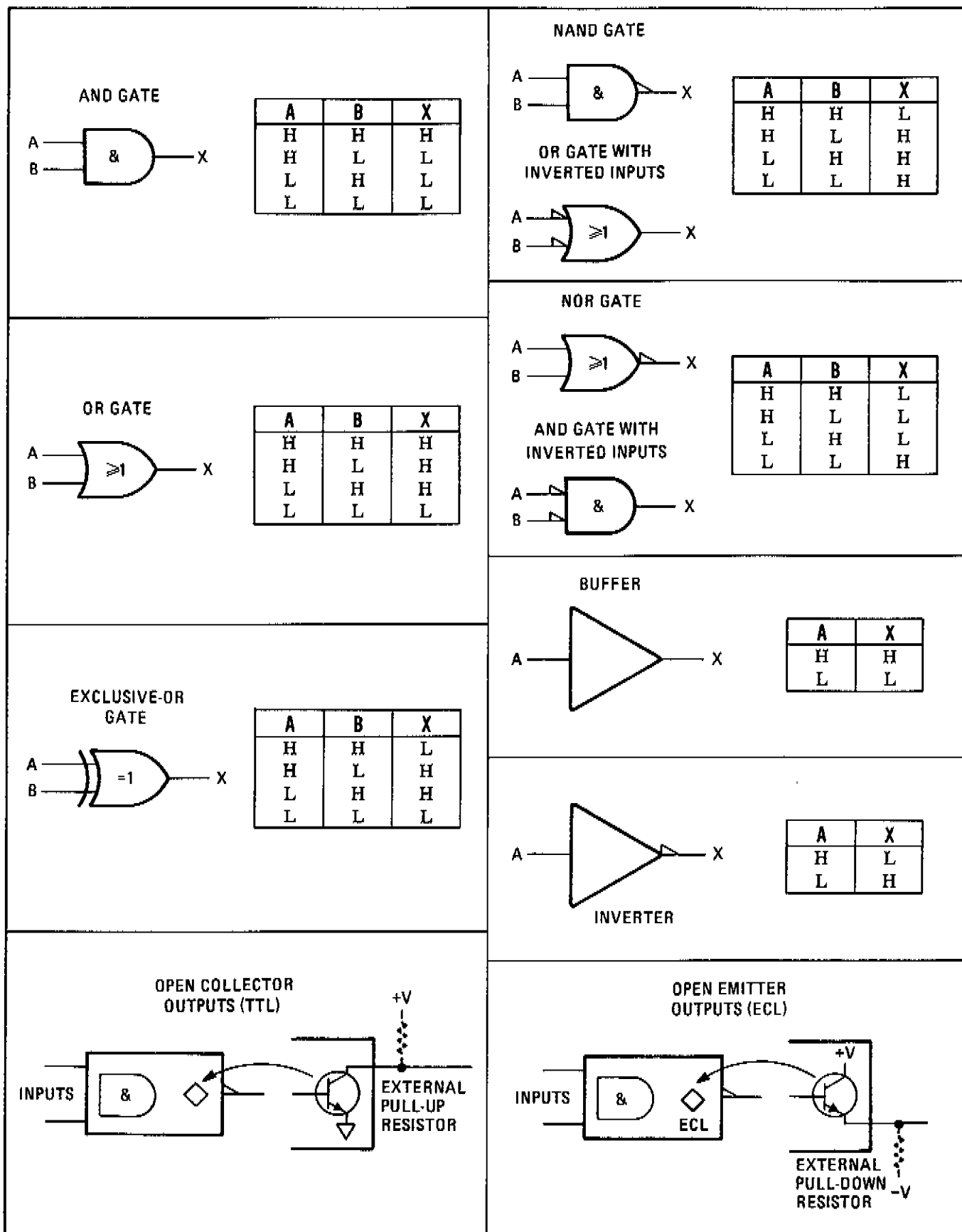


Figure 8-101. Basic Logic Symbols and Qualifiers

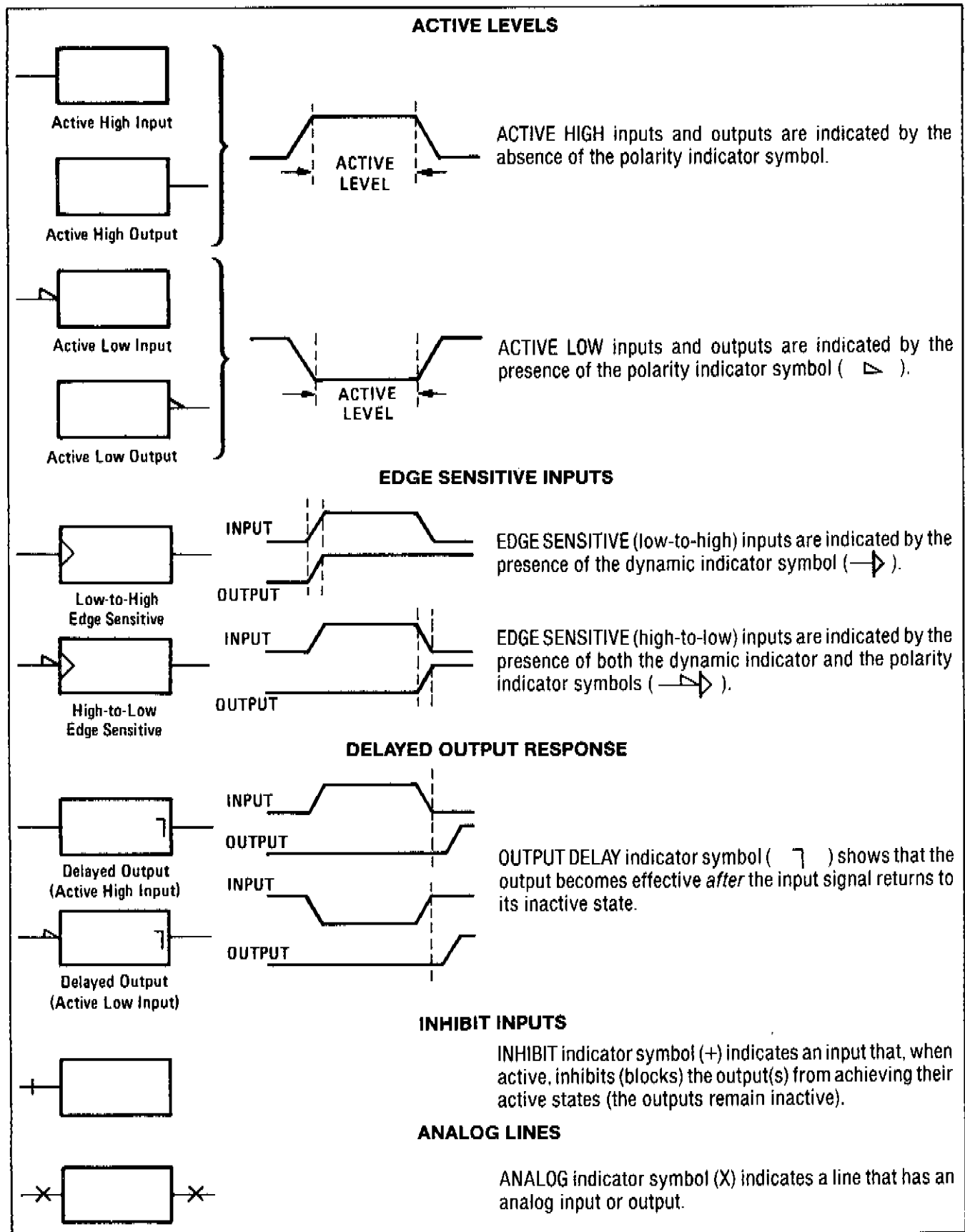


Figure 8-102. Indicator Symbols

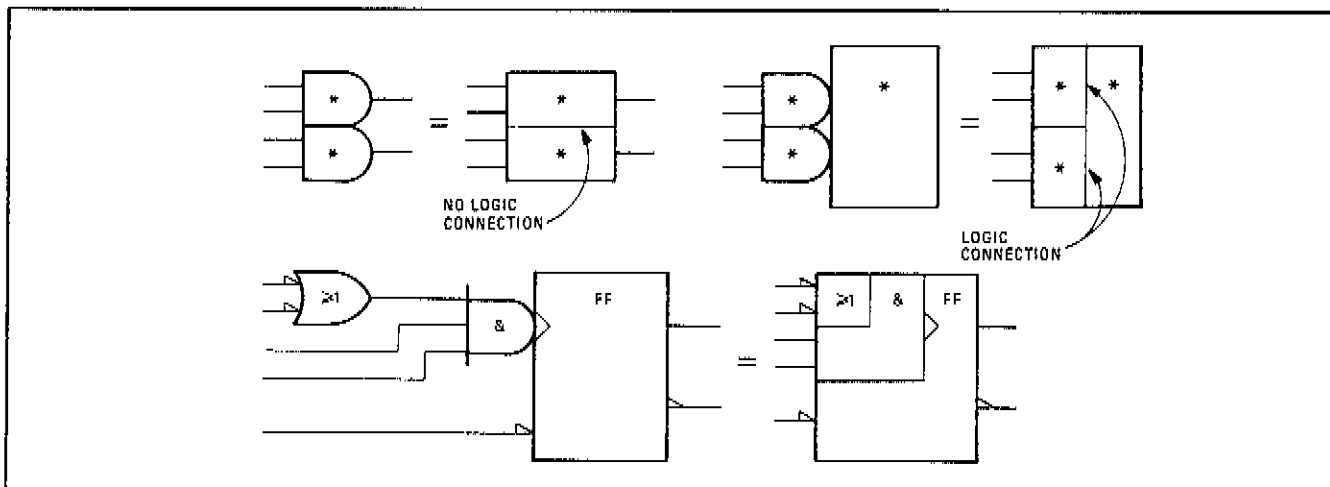


Figure 8-103. Contiguous Blocks

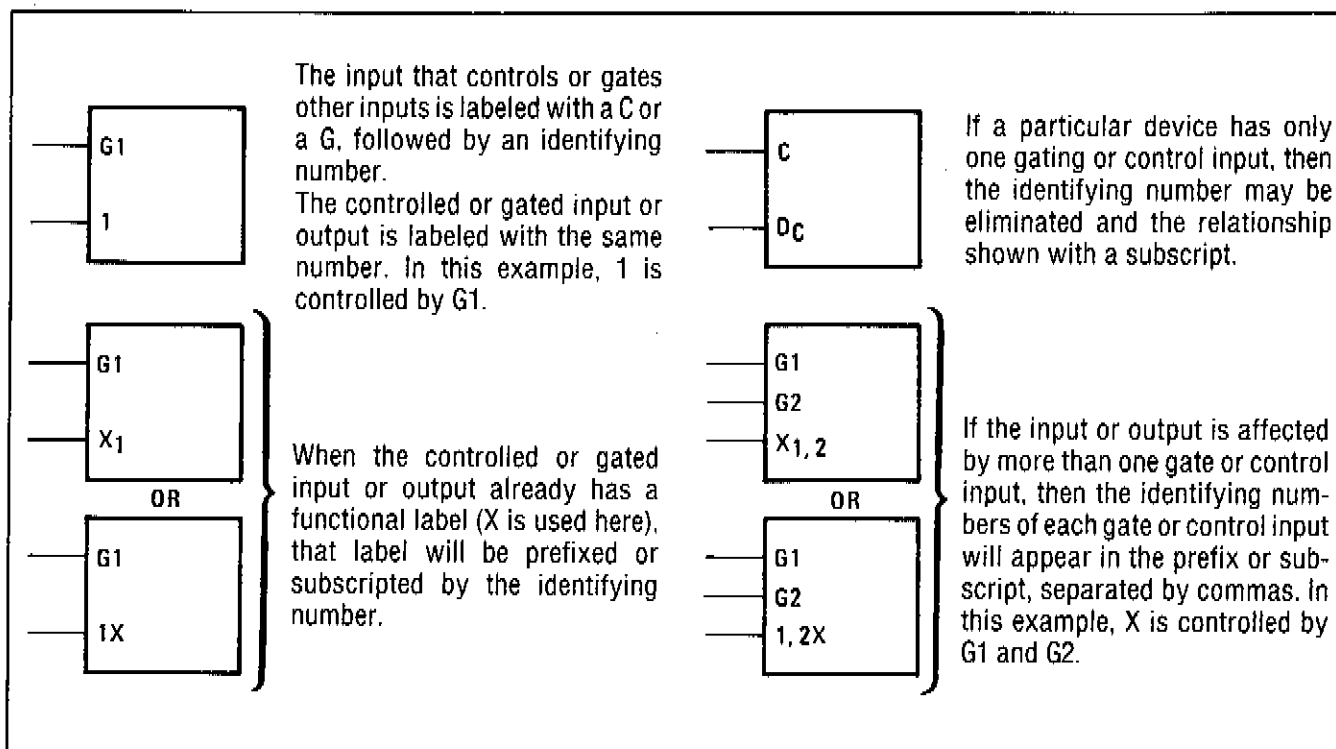


Figure 8-104. AND Dependency Notation

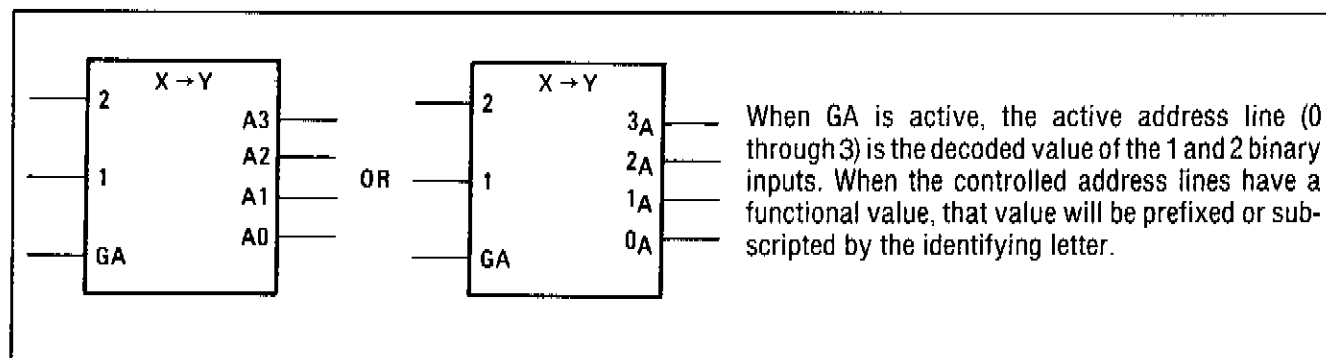


Figure 8-105. Address Dependency Notation: Coder Example Using Alpha Characters (letters)

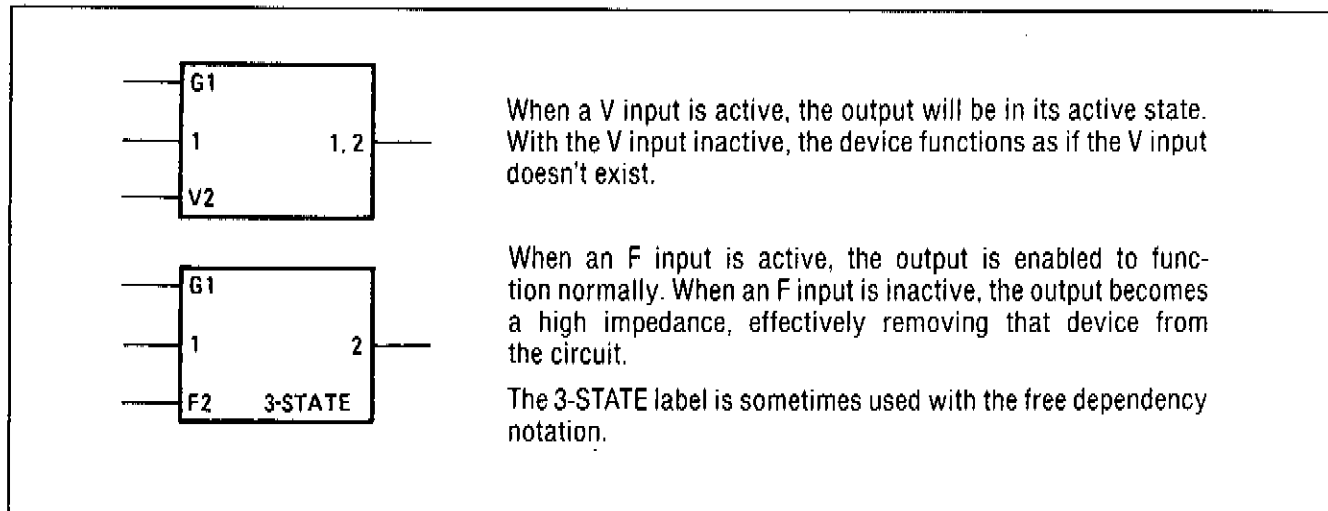


Figure 8-106. OR and Free Dependency Notation

Common Control Block. The Control block is used in conjunction with an array of related symbols in order to group common logic lines. Figure 8-107 shows how the Control block is usually represented. Figure 8-108 shows a quad D-type flip flop with reset. This can be redrawn as shown in Figure 8-109. Note that the more complex representation shown in Figure 8-108 can be used when the flip flops are functionally scattered around the schematic (i.e., not used as a quad unit).

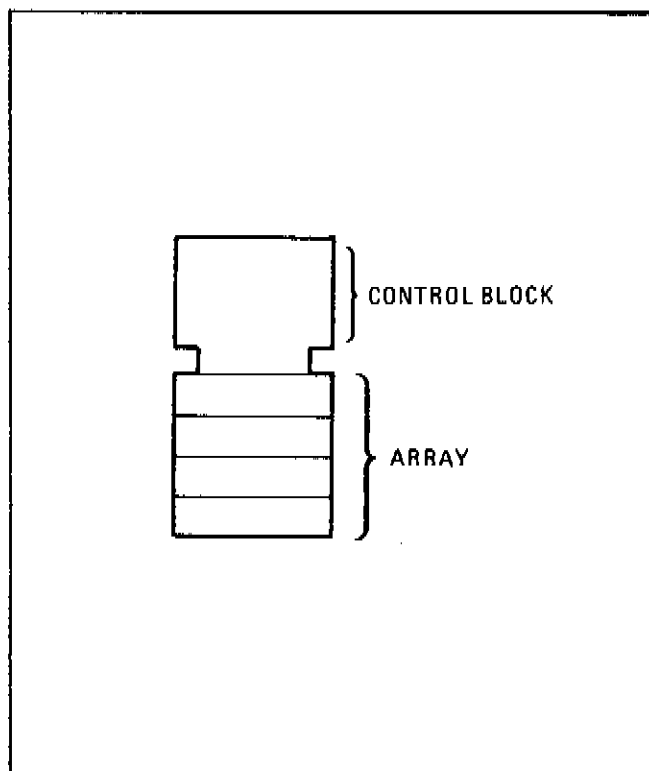


Figure 8-107. Common Control Block

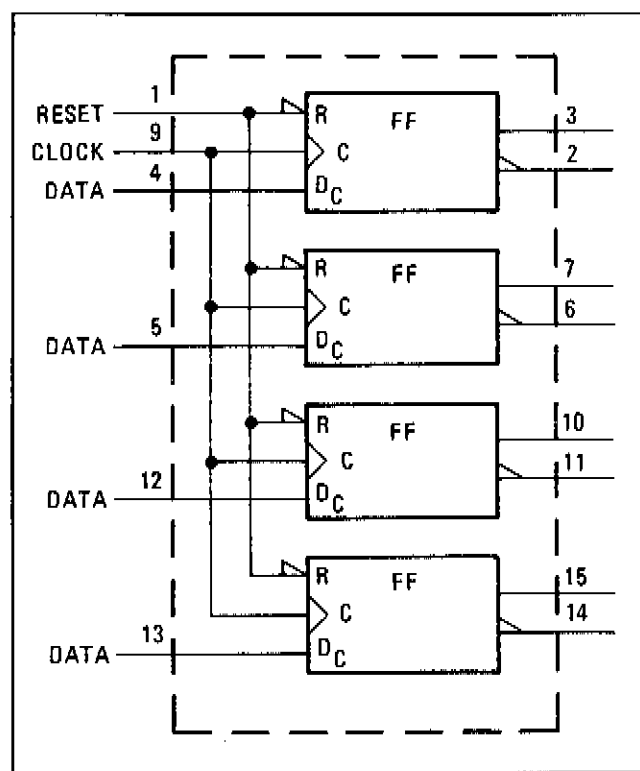


Figure 8-108. Quad D-Type Latch (Individual)

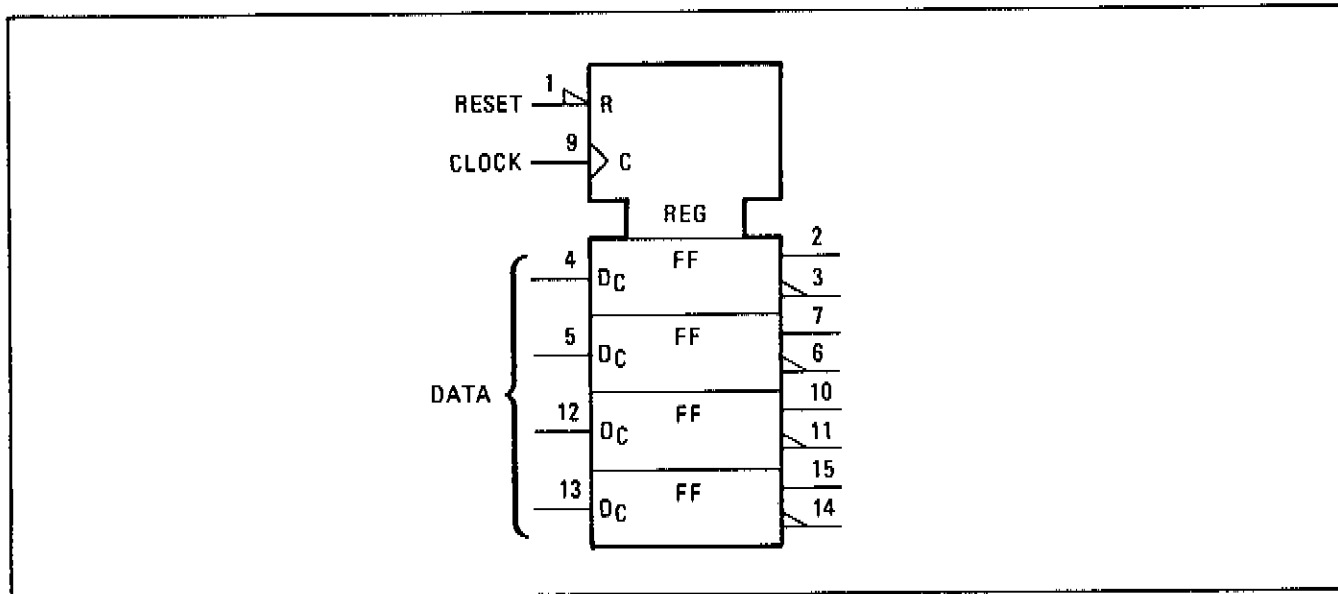


Figure 8-109. Quad D-Type Latch (Combined)

8-27. Complex Device Symbolology

Figures 8-110 through 8-113 show how the basic symbols can be combined to illustrate behavior of fairly complex devices.

Shift Register. The Shift Register Control Block is used to show common inputs to a bidirectional shift register. Notice that "(right arrow)*m*" means shift the contents to the right or down by "*m*" units. And "(left arrow)*m*" means shift the contents to the left or up by "*m*" units. Note: If *m*=1, it may be omitted. Inputs "a" and "b" are each single IC pins that have two functions. Input "a" enables one of the inputs to the D-type flip-flop (1D) and also shifts the register contents down "*m*" units. Input "b" enables one of the inputs to the bottom flip-flop (2D), and also shifts the register contents up "*m*" units. Input "c" loads all four flip-flops in parallel (3D). Input "d" is a common reset. The output delay indicator is used because these are master slave flip-flops.

AND-OR Selector. The Selector Control Block is used to simplify the AND portion of a quad AND-OR select gate. When G1 is high, the data presented at the "1" inputs will be gated through. When G2 is high, the data presented at the "2" inputs will be gated through.

Up/Down Counter. The Counter Control Block is used to show common inputs to a Presettable Decade Up/Down Counter. Notice that "+*m*" means count up (increment the count) by "*m*"; "-*m*" means count down by "*m*". Note: if *m*=1, it may be omitted. Since the D-type flip-flops are master-slave, the output delay indicator is used. The "=9,+1" and "=0,-1" notation defines when the carry and borrow outputs are generated. They also define it as a decade counter; a binary counter would have the carry indicated with "=15,+1". Flip-flop weighting is indicated in parenthesis. Input "C1" allows all four "D1" flip-flops to be preset in parallel.

Quad D-Type Latch. The Register Control Block is used to illustrate a quad D-type latch. There is a common active-low reset (R), and a common edge-triggered control input (C). Since there is only one dependency relationship, the controlling input is not numbered and the controlled functions (D) are subscripted with a C.

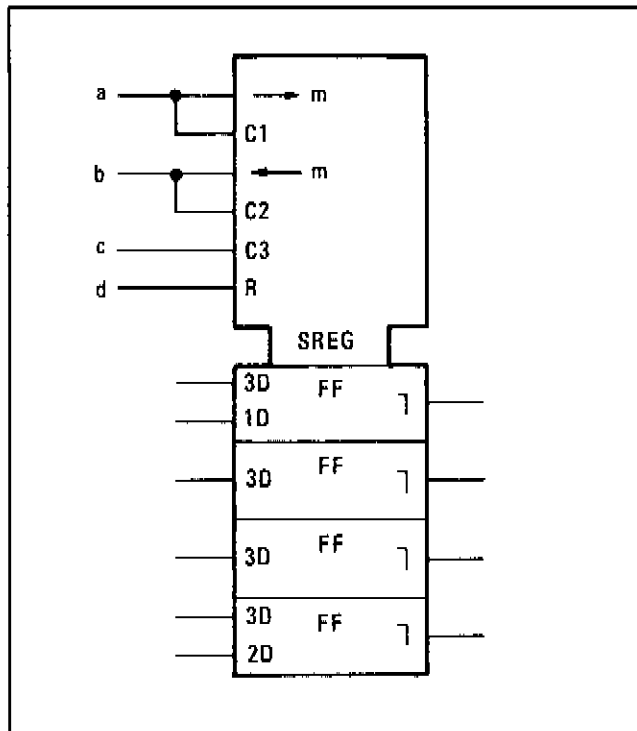


Figure 8-110. Shift Register

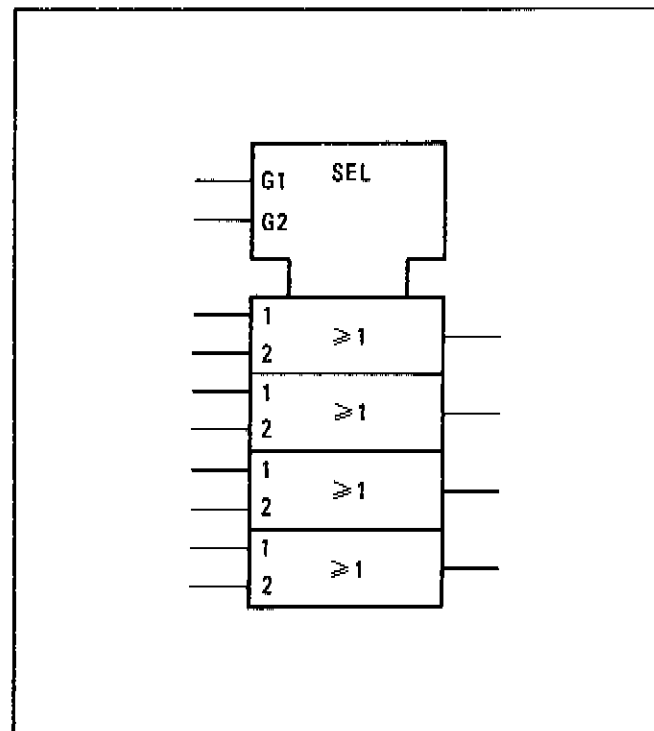


Figure 8-111. AND-OR Selector

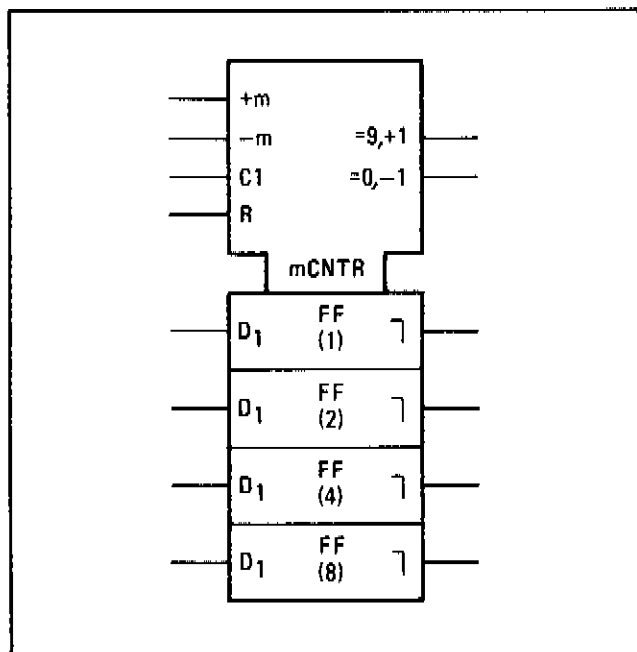


Figure 8-112. Up/Down Counter

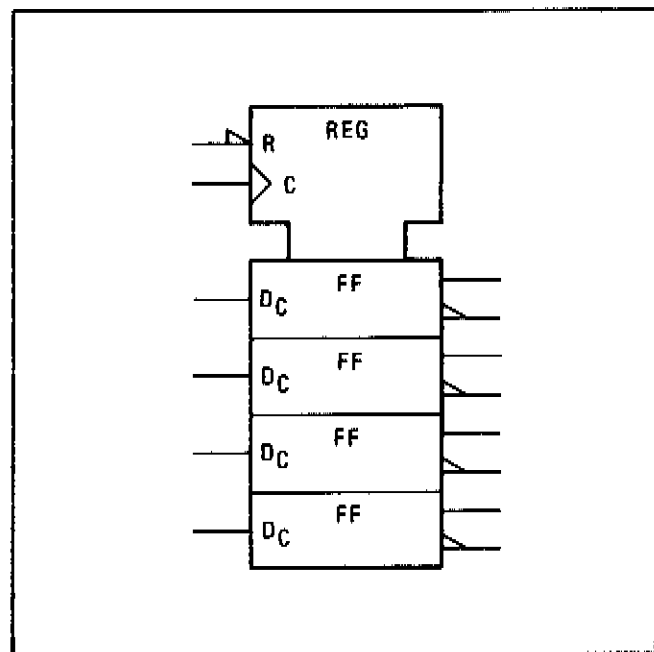


Figure 8-113. Quad D-Type Latch

8-28. LOGIC DEVICE THEORY

8-29. Schmitt Trigger

A typical Schmitt trigger is shown in Figure 8-114. Some Schmitt triggers have complimentary outputs. When the input signal increases in voltage, the device changes state as the input surpasses a voltage reference called the upper trip point. When the input signal is decreasing in voltage, the device changes back to its original state as the input voltage passes a voltage reference called the lower trip point.

8-30. One-Shot Multivibrator

The one-shot or monostable multivibrator, when triggered, produces a pulse of pre-programmed length. The length of the pulse is determined by the external resistor (R) and capacitor (C). See Figure 8-115.

8-31. D-Type Flip-Flop (Edge Triggered)

D-type flip-flops are used for temporary storage of one bit of binary data. The D_C input is stored and transferred to the output at X when the control input (C) undergoes a low-to-high transition. Y is the complement of X (i.e., $Y=X$). The S and R inputs set (S) and reset (R) the outputs independent of the control input status. Only one of these inputs is normally active at a time. If both are active, the X and Y are either both high or both low, depending on the particular device used. See Figure 8-116.

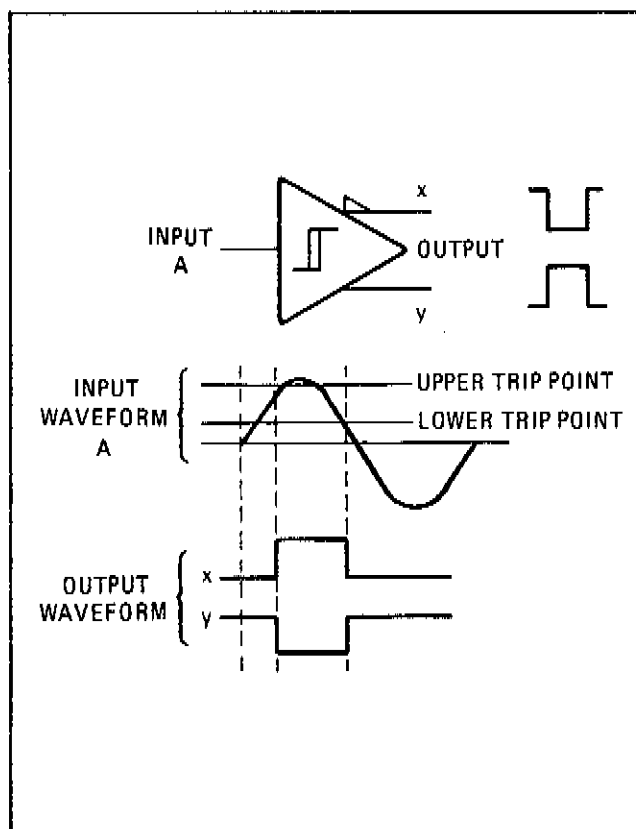


Figure 8-114. Schmitt Trigger

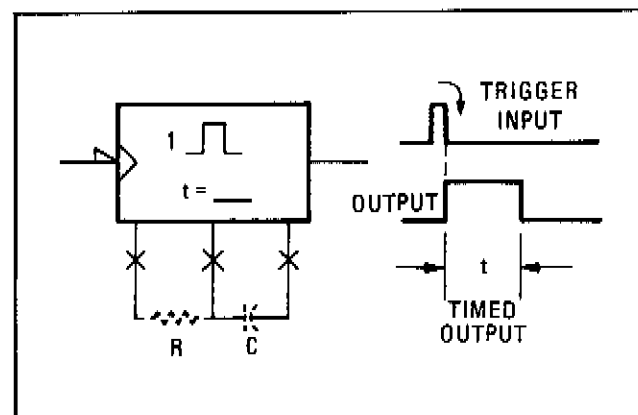


Figure 8-115. One-Shot Multivibrator

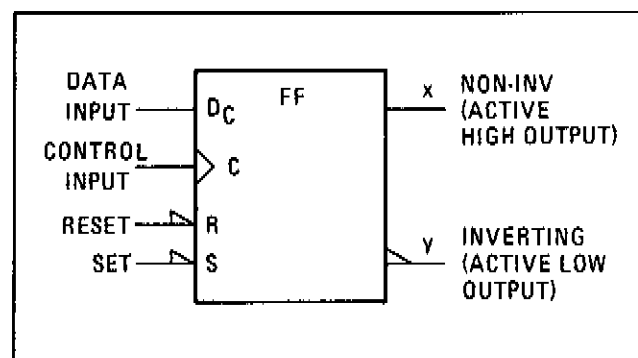


Figure 8-116. D-Type Flip-Flop (Edge-Triggered)

8-32. Four-Bit Register (Level-Triggered)

A four-bit register is used for temporarily storing four bits of binary data. Data at the D_1 inputs are stored when clocked by the C_1 control input. Data at the D_2 inputs are stored when clocked by the C_2 control input. The outputs follow the inputs as long as the control inputs remain high. When the control inputs are low, the data that was present at the D inputs (when the control inputs were low) are retained (latched) at the outputs until the control inputs go high again. See Figure 8-117.

8-33. Presetable Counter

Presetable counters consist of four D flip-flops which are internally connected to provide a divide-by-two and a divide-by-five counter for a BCD counter or a divide-by-two and a divide-by-eight for a hexadecimal counter. The outputs of these devices can be preset to any state by placing a low on the load/count (C) input and applying the desired data to the D inputs. As long as the load/count input is low, the outputs will follow the D inputs. When the load/count input is set high the outputs are latched to the preset values, and the output will advance one count with each low-to-high transition of the clock. The reset (R) function is asynchronous. See Figure 8-118.

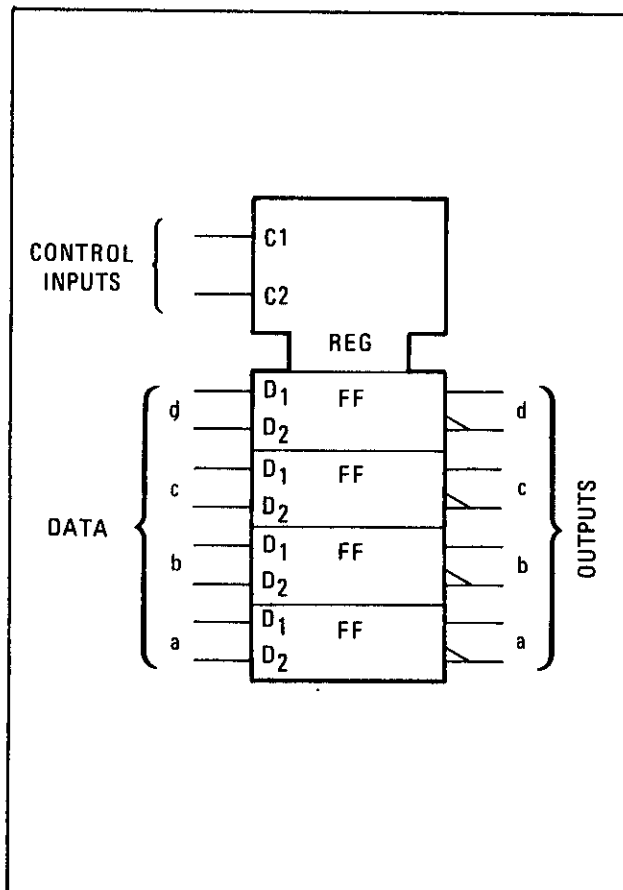


Figure 8-117. Four-Bit Register (Level-Triggered)

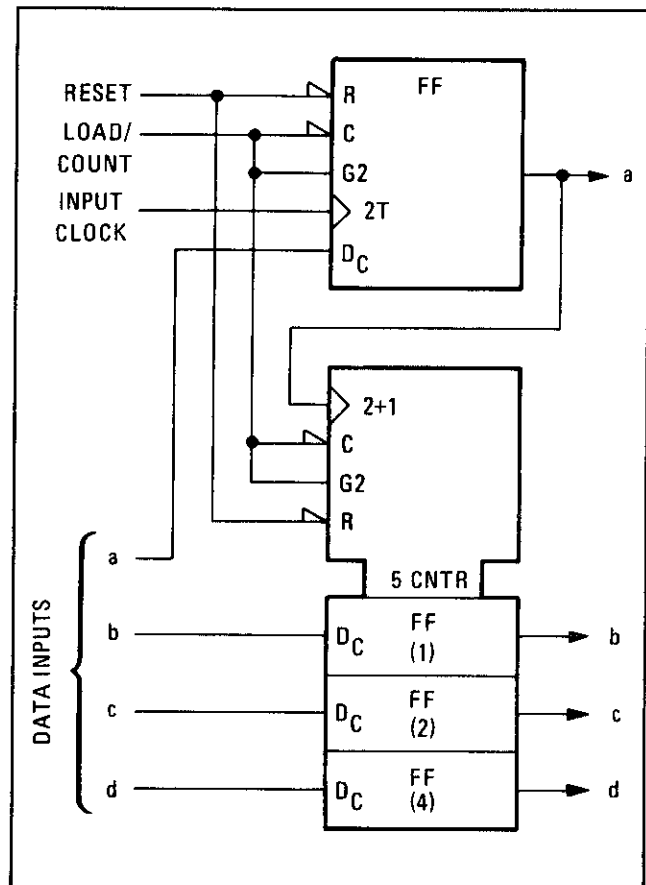


Figure 8-118. Presetable Counter

8-34. Three-Bit Binary One-of-Eight Decoder

This device selects an output line (1-of-8) corresponding to the value of the binary input. For example, to make the 5G output go low, a binary 101 must be presented to the select inputs. For the output to reflect the weighted binary input, all three lines to the control section must be active. See Figure 8-119.

8-35. Analog Multiplexer

this device is the electronic version of a single-pole-eight-throw (SP8T) switch. The binary code at the select inputs determines which analog input (1-of-8) will be routed to the output. The output is enabled by the F input. See Figure 8-120.

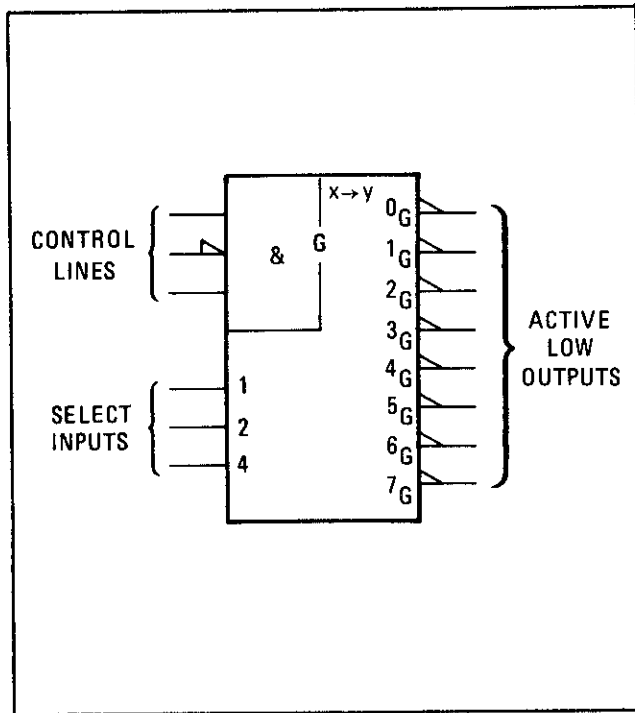


Figure 8-119. Three-Bit Binary One-of-Eight Decoder

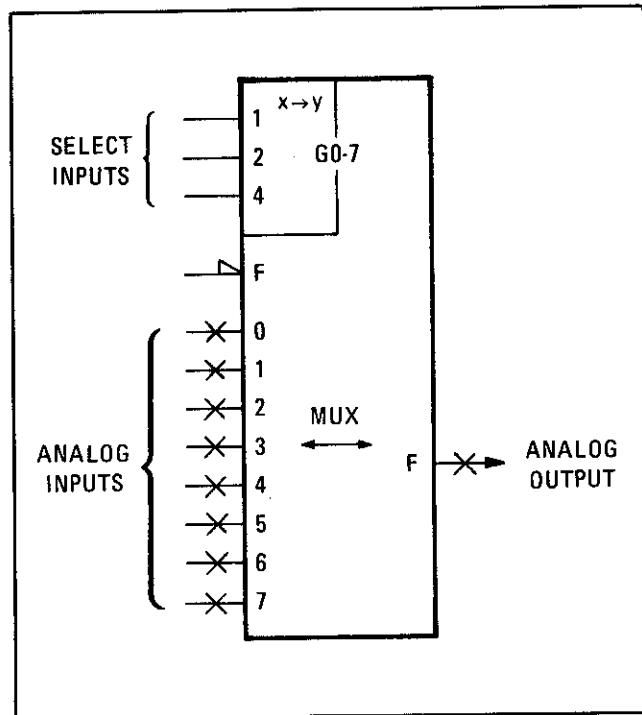


Figure 8-120. Analog Multiplexer

8-36. Digital-to-Analog Converter

The Digital-to-Analog Converter is used with an operational amplifier to provide digital control of an analog signal. The analog source (that is, V_{REF}) can be either ac or dc. The Digital-to-Analog Converter produces a variable current output where maximum current is produced when $Y=1000$. The output of the operational amplifier is a voltage directly proportional to V_{REF} and the value of Y . See Figure 8-121.

8-37. Four-Bit BCD Summer

This device produces the BCD sum of two decimal numbers presented in the 8-4-2-1 weighted BCD format. Carry Output and Carry Input are provided for cascading. For valid BCD numbers (0 to 9) at the inputs the BCD sum is formed at the outputs. Input numbers 10 to 15 yield a valid BCD number plus a carry. See Figure 8-122.

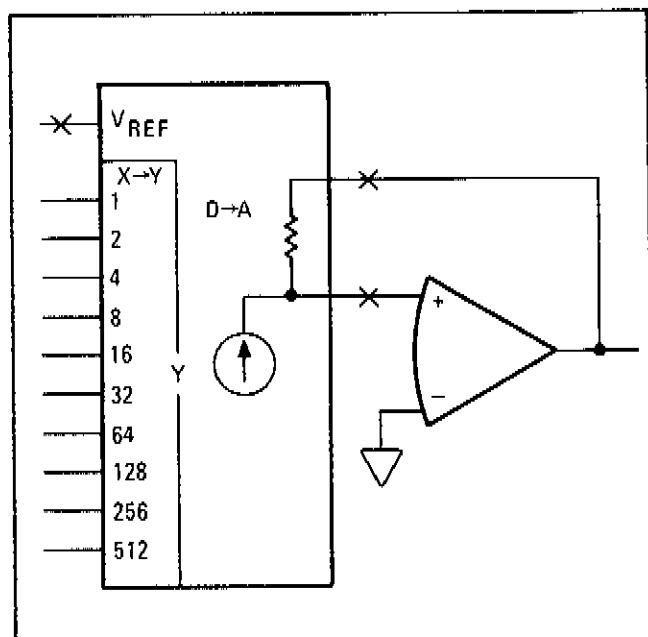


Figure 8-121. Digital-to-Analog Converter

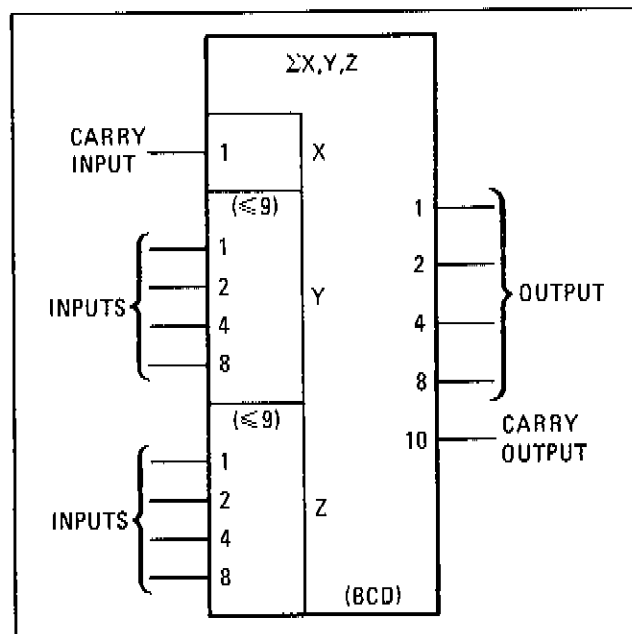


Figure 8-122. Four-Bit BCD Summer

8-38. Divide-by-10/11 Prescaler

The Divide-by-10/11 Prescaler will divide by 10 or 11 (see Figure 8-123). The mode control inputs (pins 2 and 3) control the division ratio. The Prescaler provides both ECL and TTL outputs. The bias input (pin 15) has a 400 ohm resistor connected internally to the V_{BB} . Connecting this resistor to the T_G input (pin 16) provides capacitive coupling and automatically centers the input signal about the switching threshold. An operating mode table is also provided in the Figure, showing the functions of the Gate and Set inputs.

8-39. Eight-to-Three Line Priority Encoder

The device shown in Figure 8-124 produces a three-line binary weighted output as a result of one active input. If more than one input line is active, the output will be the binary equivalent of the highest valued input (for example, if the input lines B₄ and B₆ are both active, the output would be 110 or binary 6). Two additional outputs are provided: one is active when any data line and GB are

active; the other output is active when only GB is active. All lines are active-low.

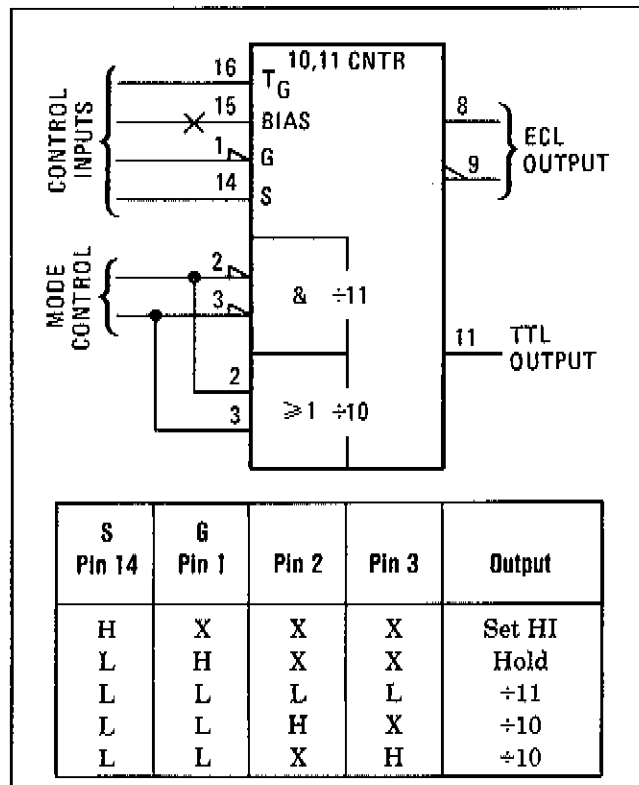


Figure 8-123. Divide-By-10/11 Prescaler

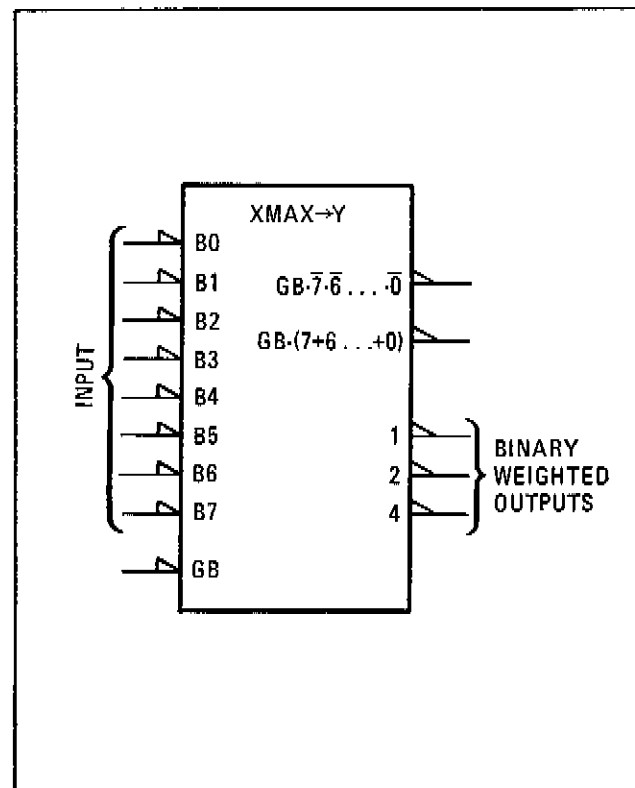


Figure 8-124. Eight-to-Three Line Priority Encoder

8-40. Random Access Memory (RAM)

The device shown in Figure 8-125 is a 256 by 4-bit static memory. Each of the 4-bit memory locations are addressed by the eight address lines. Both F inputs must be low to enable either memory mode (that is, "write" or "read"). When either F input is high the Data lines are in the three-state condition (that is, high impedance). The Data Inputs and Outputs are shown functionally as separate lines. However, each Input-Output function occurs physically on one pin.

Write. To "write" into memory from the Data lines, an address must be set and the F, G3, and G4 lines must be low.

Read. To "read" from memory to the output latches (FF) and then to the Data lines, an address must be set, G2 must be high, and the F and G4 lines must be low.

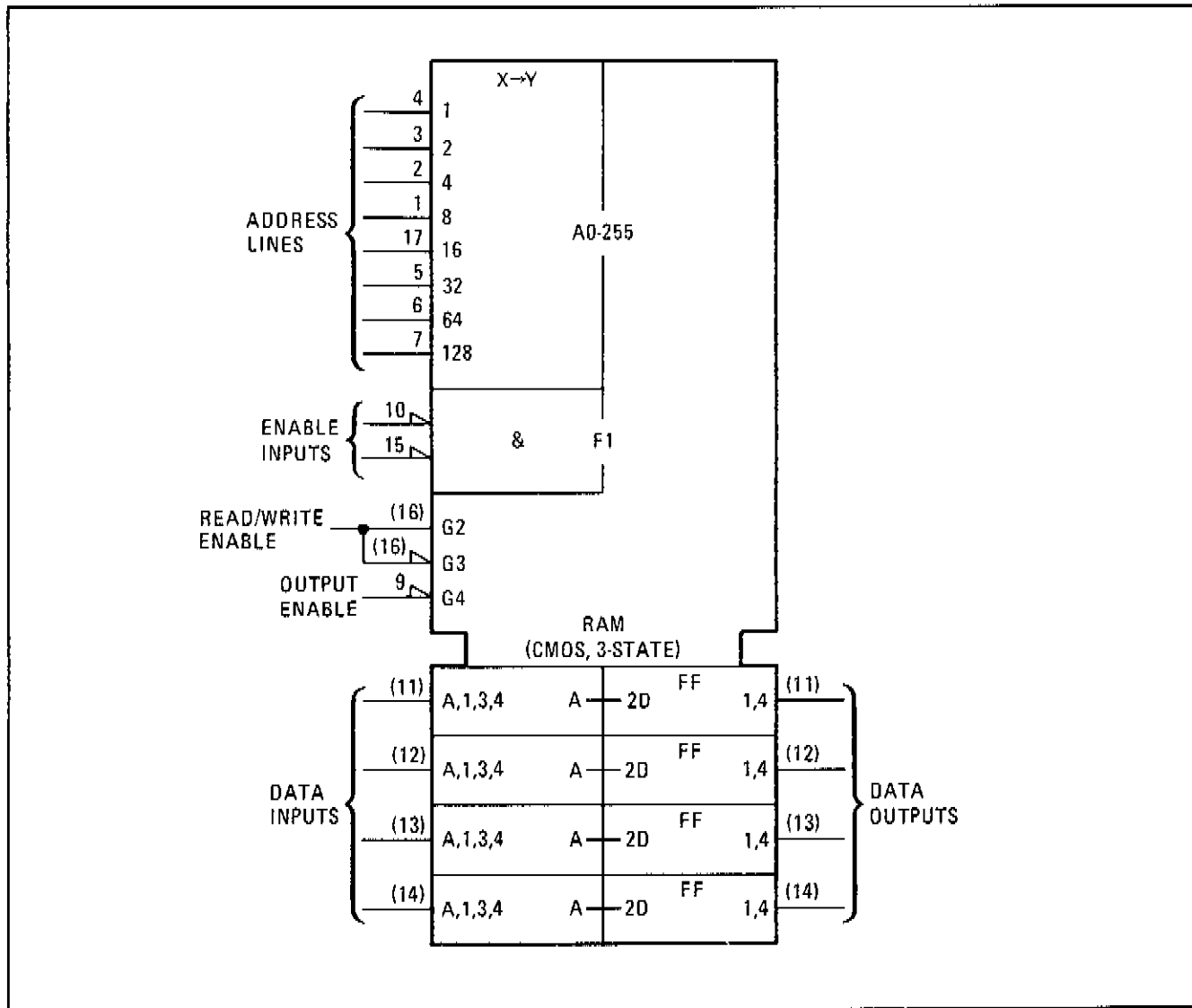


Figure 8-125. Random Access Memory (RAM)

8-41. Read-Only Memory (ROM)

The device shown in Figure 8-126 has 512 preprogrammed 8-bit memory locations. The memory locations are addressed by the nine binary address lines. The F input must be low to enable the Data Outputs. Otherwise the outputs are in the three-state condition (that is, high impedance).

8-42. Analog Switch

The Analog Switch is a bi-directional device, as is indicated by the double-headed arrow. the F1 input is the gate, F1 indicates the input and output (labeled with "1's") are dependent on this input. See Figure 8-127.

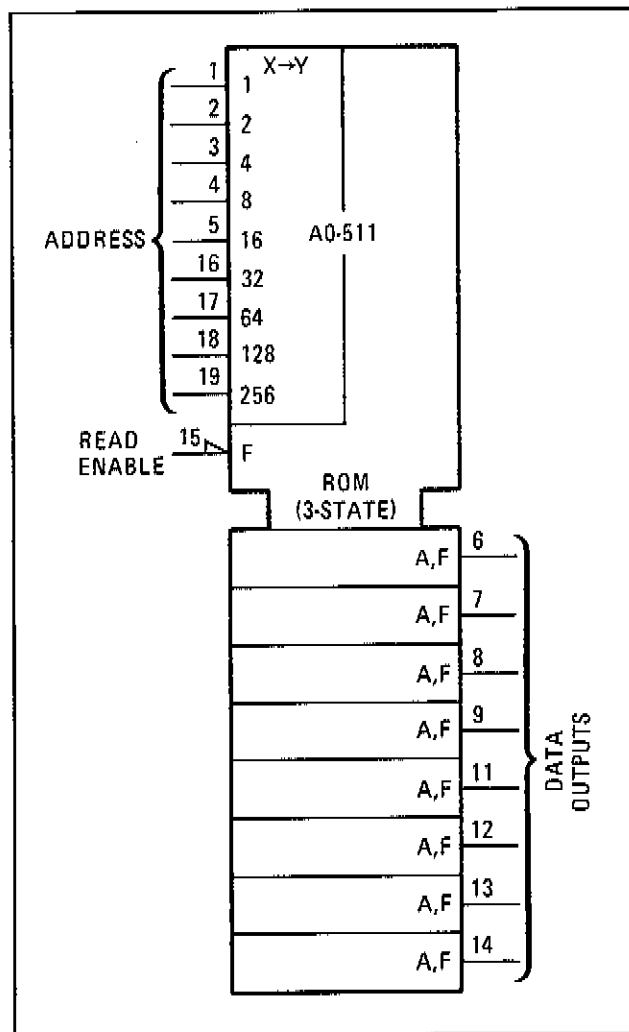


Figure 8-126. Read-Only Memory (ROM)

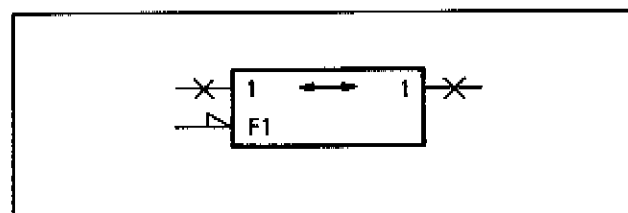


Figure 8-127. Analog Switch

8-43. Analog Multiplexer

The device shown in Figure 8-128 is an electronic version of a Single-Pole-Eight-Throw (SP8T) switch. The binary code at the Select Inputs determines which analog signal, 0 through 7, will be routed to the output. The F input must be low to enable the output. Otherwise, the output will be in the three-state condition (that is, high impedance).

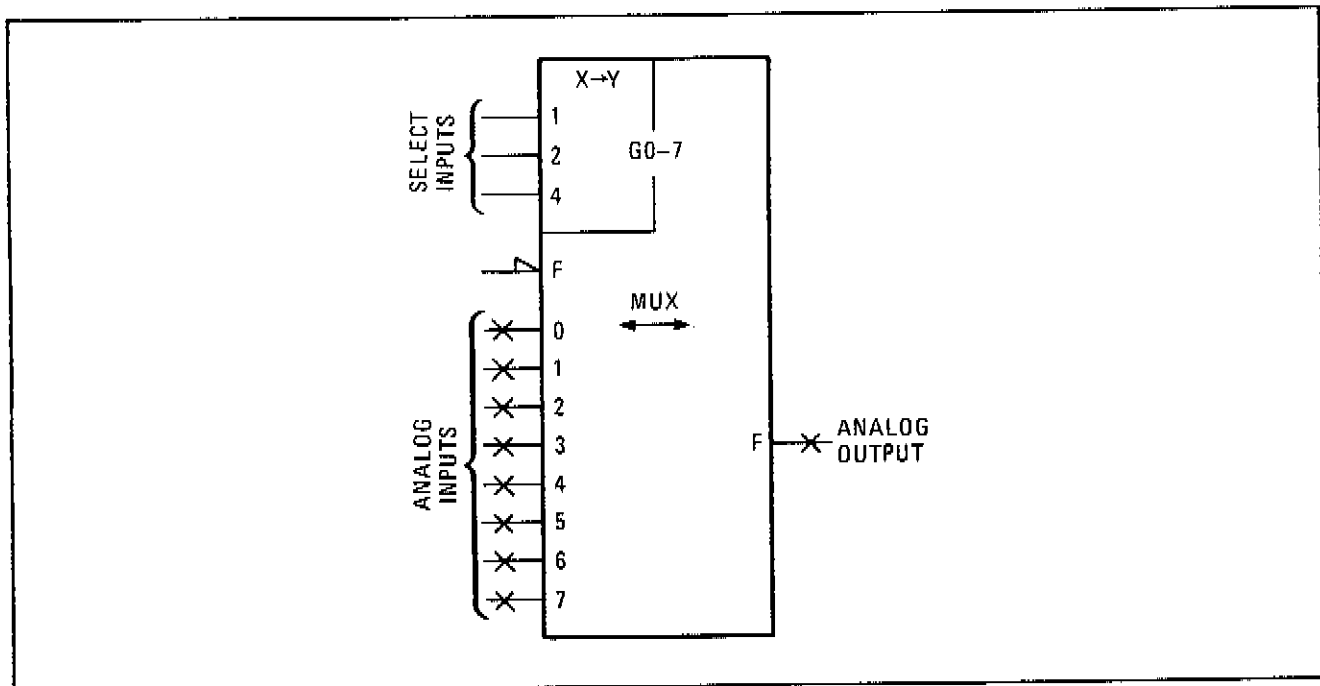


Figure 8-128. Analog Multiplexer

8-44. Phase-Frequency Detector

The device shown on the left side of Figure 8-129 can also be shown as it is on the right. It contains two RS flip-flops. The reference and variable signals drive the Set inputs. The latched outputs are AND'ed to reset the flip-flops.

The output signal for two out-of-phase input signals (or two signals of different frequency) would be a pulse on one line due to the first flip-flop being set. The pulse width would be equal to the time difference between the two active Set inputs.

When the second flip-flop is set, the AND function is completed and both flip-flops are reset. The second output would have a fast spike due to the small propagation delay of the AND and Reset functions.

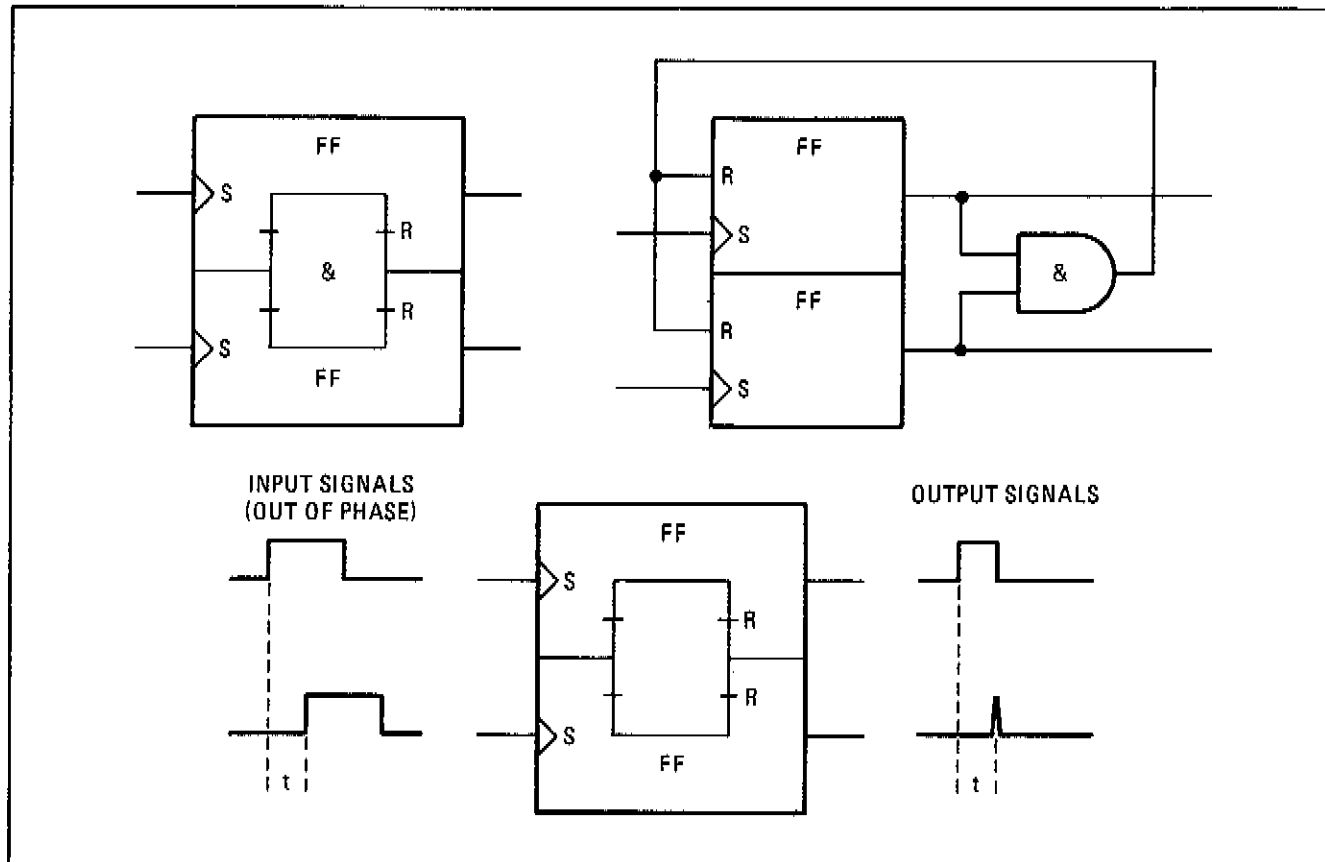


Figure 8-129. Phase-Frequency Detector

8-45. LINEAR DIVICE THEORY

8-46. Operational Amplifiers

The source of gain in an operational amplifier can be characterized as an ideal, differential voltage amplifier having low output impedance, high input impedance, and very high differential gain. The output of an operational amplifier is proportional to the difference in the voltages applied to the two input terminals. In use, the amplifier output drives the input voltage difference close to zero through a feedback path.

When troubleshooting an operational amplifier circuit, measure the voltages at the two inputs; the difference between these voltages should be less than 10mV. (Note: this troubleshooting procedure will not work for operational amplifiers which are configured as comparators.) A difference voltage much greater than 10mV indicates trouble in the amplifier or its external circuitry. Usually, this difference will be several volts and one of the inputs will be very close to one of the supply voltages.

Next, check the amplifier's output voltage. It will probably also be close to one of the supply voltages or ground. Check to see that the output conforms to the inputs. For example, if the inverting input is more positive than the non-inverting input, the output should be negative; if the non-inverting input is more positive than the inverting input, the output should be positive. If the output conforms to the inputs, check the amplifier's external circuitry. If the amplifier's output does not conform to its inputs, it is probably defective.

Figures 8-130, 131, and 132 show typical operational amplifier configurations. Figure 8-130 shows a non-inverting buffer amplifier with gain of 1. Figure 8-131 is a non-inverting amplifier with gain determined by R1 and R2. Figure 8-132 is an inverting amplifier with a gain determined by R1 and R2.

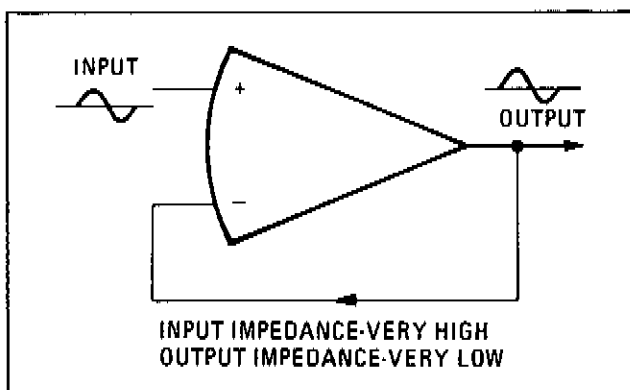


Figure 8-130. Non-Inverting Amplifier (Gain = 1)

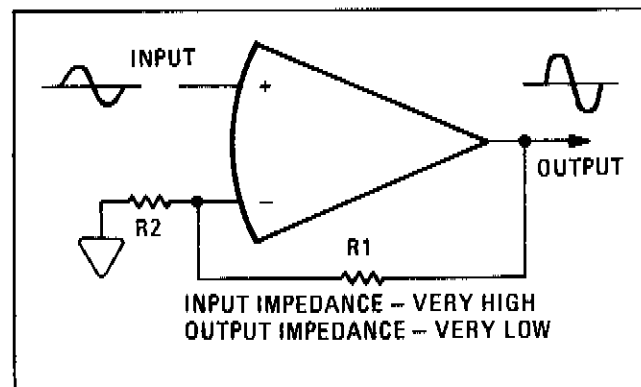


Figure 8-131. Non-Inverting Amplifier
(Gain = $1 + R1/R2$)

8-47. Comparators

Comparators are used as level sense amplifiers, switch drivers, pulse height discriminators, and voltage comparators. A voltage reference is connected to one of the amplifier's outputs as shown in Figures 8-133 and 134. When the input signal voltage crosses the reference, the output goes positive; the output remains positive until the signal re-crosses the reference.

8-48. Limiter (Transistor Array)

The limiter shown in Figure 8-135 is simply a transistor array in a differential amplifier configuration. Its limiting characteristic is a function of its external biasing. The figure shows two of the common biasing arrangements and the internal circuitry of the device. The minus sign at pin 8 indicates signal inversion relative to the input. The plus sign at pin 5 (or the omission of the minus sign) indicates non-inversion.

8-49. SCHEMATIC DIAGRAM NOTES

Table 8-102 summarizes the symbology used in presenting many of the devices on the schematics.

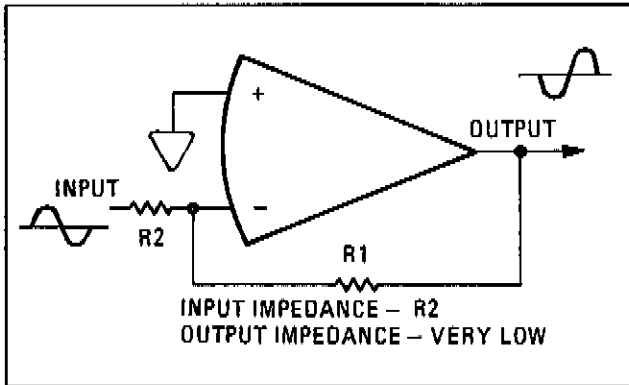


Figure 8-132. Inverting Amplifier (Gain = $-R1/R2$)

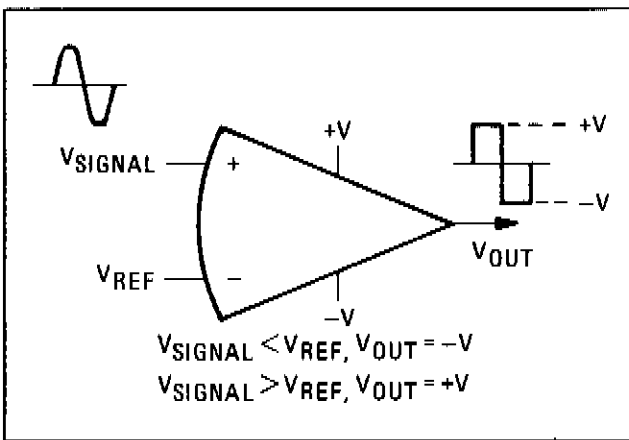


Figure 8-133. Non-Inverting Comparator

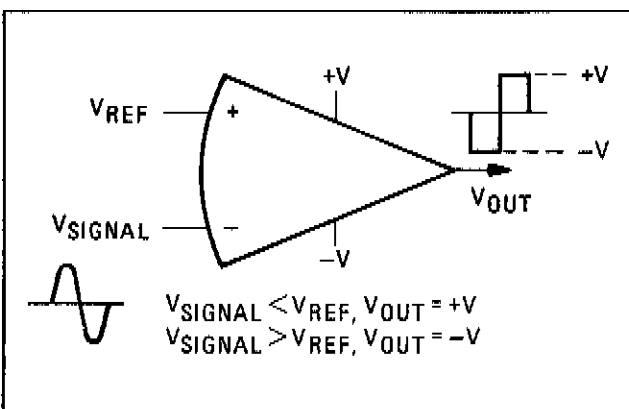


Figure 8-134. Inverting Comparator

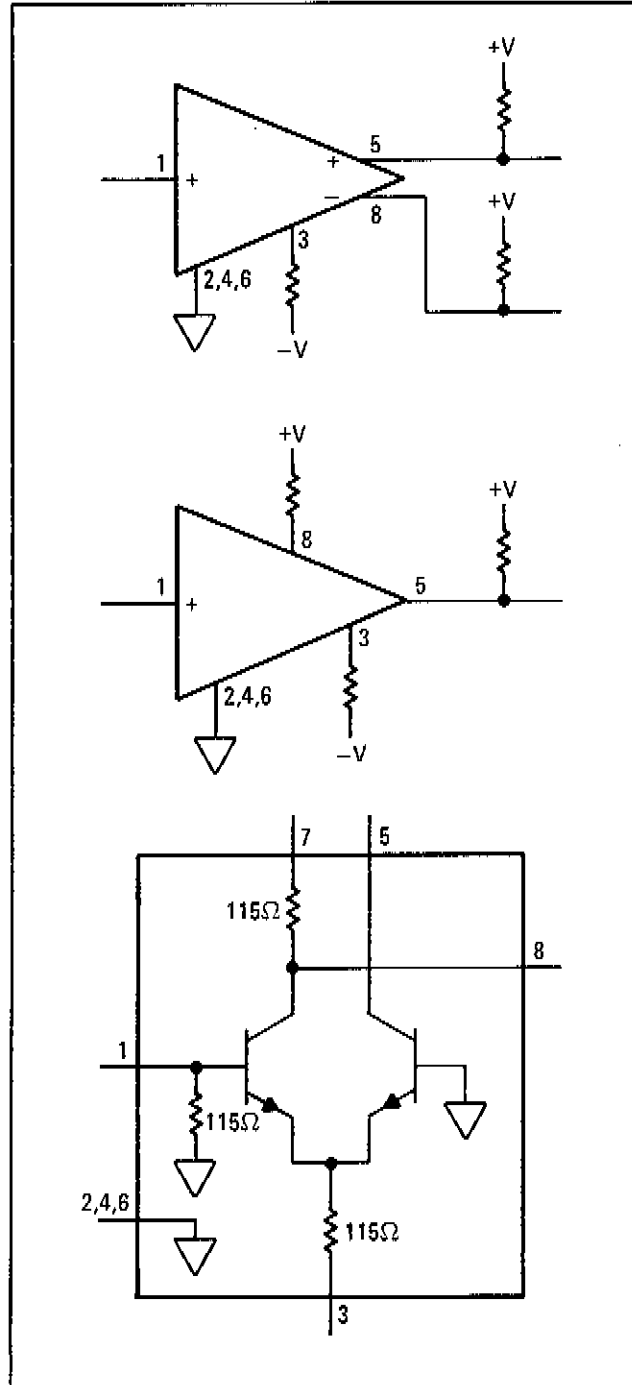


Figure 8-135. Limiter (Transistor Array)

Table 8-102. Schematic Diagram Notes (2 of 7)



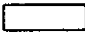
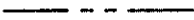






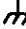

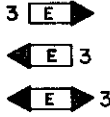

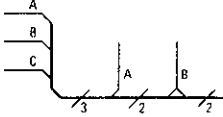

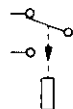
SCHEMATIC DIAGRAM NOTES	
	Tool-aided adjustment.
	Manual control.
	Encloses front- or rear-panel designation
	Circuit assembly borderline.
	Other assembly borderline.
	Heavy line with arrows indicates path and direction of main signal.
	Heavy dashed line with arrows indicates path and direction of main feedback.
	Indicates stripline (i.e., RF transmission line above ground).
	Wiper moves toward cw with clockwise rotation of control (as viewed from shaft or knob).
	A direct conducting connection to earth, or a conducting connection to a structure that has a similar function (e.g., the frame of an air, sea, or land vehicle).
	A conducting connection to a chassis or frame.
	Common connections. All like-designation points are connected.
	Letters = off-page connection, e.g.,  Number = Service Sheet number for off-page connection, e.g., 3
	Indicates multiple paths represented by only one line. Letters or names identify individual paths. Numbers indicate number of paths represented by the line.
	Coaxial or shielded cable.

Table 8-102. Schematic Diagram Notes (3 of 7)

SCHEMATIC DIAGRAM NOTES



Relay. Contact moves in direction of arrow when energized.



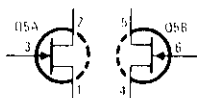
Indicates a PIN diode.



Indicates a Varactor diode.



Indicates a Schottky (hot-carrier) diode.



Multiple transistors in a single package—physical location of the pins is shown in package outline on schematic.



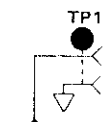
Identification of logic families as shown (in this case, ECL).



Numbered Test Point.
Measurement aid provided.



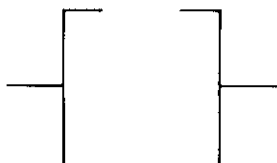
Lettered Test Point.
No measurement aid provided.



Numbered RF Test Point. Requires ac-coupling adapter from service kit.

DIGITAL SYMBOLOGY REFERENCE INFORMATION

Input and Output Indicators



Implied Indicator—Absence of polarity indicator (see below) implies that the active state is a relative high voltage level. Absence of negation indicator (see below) implies that the active state is a relative high voltage level at the input or output.

Table 8-102. Schematic Diagram Notes (4 of 7)

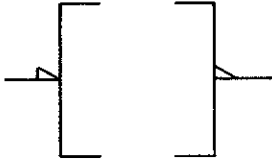
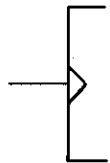

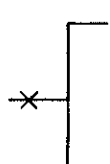


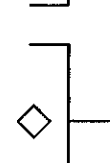
DIGITAL SYMBOLOGY REFERENCE INFORMATION	
	<p>Input and Output Indicators (Cont'd)</p> <p>Polarity Indicator—The active state is a relatively low voltage level.</p>
	<p>Dynamic Indicator—The active state is a transition from a relative low to a relative high voltage level.</p>
	<p>Inhibit Input—Input that, when active, inhibits (blocks) the active state outputs of a digital device.</p>
	<p>Analog Input—Input that is a continuous signal function (e.g., a sine wave).</p>
	<p>Polarity Indicator used with Inhibit Indicator—Indicates that the relatively low level signal inhibits (blocks) the active state outputs of a digital device.</p>
	<p>Output Delay—Binary output changes state only after the referenced input (m) returns to its inactive state (m should be replaced by appropriate dependency or function symbols).</p>
	<p>Open Collector or Open Emitter output.</p>
<p>3-STATE</p>	<p>Three-state Output—Indicates outputs that can have a high impedance (disconnect) state in addition to the normal binary logic states.</p>
Combinational Logic Symbols and Functions	
<p>&</p>	<p>AND—All inputs must be active for the output to be active.</p>
<p>≥1</p>	<p>OR—One or more inputs being active will cause the output to be active.</p>

Table 8-102. Schematic Diagram Notes (5 of 7)

DIGITAL SYMBOLOGY REFERENCE INFORMATION

Combinational Logic Symbols and Functions (Cont')

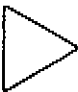

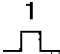

$\geq m$	Logic Threshold— m or more inputs being active will cause the output to be active (replace m with a number).
$=1$	EXCLUSIVE OR—Output will be active when one (and only one) input is active.
$=m$	m and only m —Output will be active when m (and only m) inputs are active (replace m with a number).
$=$	Logic Identity—Output will be active only when all or none of the inputs are active (i.e., when all inputs are identical, output will be active).
Σm	Arithmetic Summer—Performs arithmetic sum and difference, etc. per m and other internal notation.
	Amplifier—The output will be active only when the input is active (can be used with polarity or logic indicator at input or output to signify inversion).
X/Y	Signal Level Converter—Input level(s) are different than output level(s).
	Bilateral Switch—Binary controlled switch which acts as an on/off switch to analog or binary signals flowing in both directions. Dependency notation should be used to indicate affecting/affected inputs and outputs. Note: amplifier symbol (with dependency notation) should be read to indicate unilateral switching.
$X \rightarrow Y$	Coder—Input code (X) is converted to output code (Y) per weighted values or a table.
(Functional Labels)	The following labels are to be used as necessary to ensure rapid identification of device function.
MUX	Multiplexer—The output is dependent only on the selected input.
DEMUX	Demultiplexer—Only the selected output is a function of the input.
CPU	Central Processing Unit
PIO	Peripheral Input/Output
SMI	Static Memory Interface
Sequential Logic Functions	
1 	Monostable—Single shot multivibrator. Output becomes active when the input becomes active. Output remains active (even if the input becomes inactive) for a period of time that is characteristic of the device and/or circuit.
G 	Oscillator—The output is a uniform repetitive signal which alternates between the high and low state values. If an input is shown, then the output will be active if and only if the input is in the active state.
FF	Flip-Flop—Binary element with two stable states, set and reset. When the flip-flop is set, its outputs will be in their active states. When the flip-flop is reset, its outputs will be in their inactive states.
T	Toggle Input—When active, causes the flip-flop to change states.

Table 8-102. Schematic Diagram Notes (6 of 7)

DIGITAL SYMBOLOGY REFERENCE INFORMATION**Sequential Logic Functions (Cont'd)**

S	Set Input—When active, causes the flip-flop to set.
R	Reset Input—When active, causes the flip-flop to reset.
J	J Input—Analogous to set input.
K	K Input—Analogous to reset input.
D	Data Input—Always enabled by another input (generally a C input—see Dependency Notation). When the D input is dependency-enabled, a high level at D will set the flip-flop; a low level will reset the flip-flop. Note: strictly speaking, D inputs have no active or inactive states—they are just enabled or disabled.
+m	Count-Up Input—When active, increments the contents (count) of a counter by “m” counts (m is replaced with a number).
-m	Count-Down Input—When active, decrements the contents (count) of a counter by “m” counts (m is replaced with a number).
-m	Shift Right (Down) Input—When active, causes the contents of a shift register to shift to the right or down “m” places (m is replaced with a number).
-m	Shift Left (Up) Input—When active, causes the contents of a shift register to shift to the left or up “m” places (m is replaced with a number).

NOTE

For the four functions shown above, if m is one, it is omitted.

(Functional Labels)	The following functional labels are to be used as necessary in symbol build-ups to ensure rapid identification of device function.
mCNTR	Counter—Array of flip-flops connected to form a counter with modules m (m is replaced with a number that indicates the number of states: 5 CNTR, 10 CNTR, etc.).
REG	Register—Array of unconnected flip-flops that form a simple register or latch.
SREG	Shift Register—Array of flip-flops that form a register with internal connections that permit shifting the contents from flip-flop to flip-flop.
ROM	Read Only Memory—Addressable memory with read-out capability only.
RAM	Random Access Memory—Addressable memory with read-in and read-out capability.
Dependency Notation	
mAm	Address Dependency—Binary affecting inputs of affected outputs. The m prefix is replaced with a number that differentiates between several address inputs, indicates dependency, or indicates demultiplexing and multiplexing of address inputs and outputs. The m suffix indicates the number of cells that can be addressed.

Table 8-102. Schematic Diagram Notes (7 of 7)


DIGITAL SYMBOLOGY REFERENCE INFORMATION**Dependency Notation (Cont'd)**

Gm	Gate (AND) Dependency—Binary affecting input with an AND relationship to those inputs or outputs labeled with the same identifier. The m is replaced with a number or letter (the identifier).
Cm	Control Dependency—Binary affecting input used where more than a simple AND relationship exists between the C input and the affected inputs and outputs (used only with D-type flip-flops).
Vm	OR Dependency—Binary affecting input with an OR relationship to those inputs or outputs labeled with the same identifier. The m is replaced with a number or the letter (the identifier).
Fm	Free Dependency—Binary affecting input acting as a connect switch when active and a disconnect when inactive. Used to control the 3-state behavior of a 3-state device.

NOTE

The identifier (m) is omitted if it is one—that is, when there is only one dependency relationship of that kind in a particular device. When this is done, the dependency indicator itself (G, C, F, or V) is used to prefix or suffix the affected (dependent) input or output.

Miscellaneous

	Schmitt Trigger—Input characterized by hysteresis; one threshold for positive going signals and a second threshold for negative going signals.
Active	Active State—A binary physical or logical state that corresponds to the true state of an input, an output, or a function. The opposite of the inactive state.
Enable	Enabled Condition—A logical state that occurs when dependency conditions are satisfied. Although not explicitly stated in the definitions listed above, functions are assumed to be enabled when their behavior is described. A convenient way to think of it is as follows: A function becomes active when: <ul style="list-style-type: none"> • it is enabled (dependency conditions—if any—are satisfied) • and its external stimulus (e.g., voltage level) enters the active state.